

**Appendix B**  
**Plans of the Selected Alternative**

---

*This page is intentionally left blank.*

# INDEX OF DRAWINGS

F.H.W.A. REGION	STATE	PROJECT NO.	SHEET NO.	TOTAL SHEETS	RECORD DRAWING
9	ARIZ.				

030 MA 000

SHEET NO.	DWG. NO.	SHEET TITLE	SHEET NO.	DWG. NO.	SHEET TITLE	SHEET NO.	DWG. NO.	SHEET TITLE
	G-01.01	Index of Drawings						
	G-02.01	Master Key Map						
	G-03.01 to G-03.09	Typical Sections						
	C-02.01 to C-02.19	Geometric Data Summary Sheets						
	C-02.20 to C-02.54	Geometric Layout Sheets						
	C-03.01 to C-03.22	Plan and Profile Sheets						
	C-04.01 to C-04.17	Ramp Profile Sheets						
	C-05.01 to C-05.05	Crossroad Plan & Profile Sheets (Section 1)						
	C-06.01 to C-06.32	Crossroad Plan & Profile Sheets (Section 2H)						
	C-07.01 to C-07.08	Crossroad Plan & Profile Sheets (Section 3B-2)						
	D-01.01 to D-01.02	Drainage Plan Sheets						
	S-01.01 to S-01.05	Structure Sheets (Section 1)						
	S-02.01 to S-02.17	Structure Sheets (Section 2H)						
	S-03.01 to S-03.56	Structure Sheets (Section 3B-2)						
	T-01.01 to T-01.11	Guide Signing Plans						

DATE- LOCATION- REVISIONS- FINISHED PLANS- SURVEY NO. DATE- LOCATION- REVISIONS- FINISHED PLANS- SURVEY NO.

Call BLUE STAKE CENTER two working days before you dig.  
**602-263-1100**  
 Within Maricopa County OR  
**1-800-STAKE-IT**  
(782-5348)

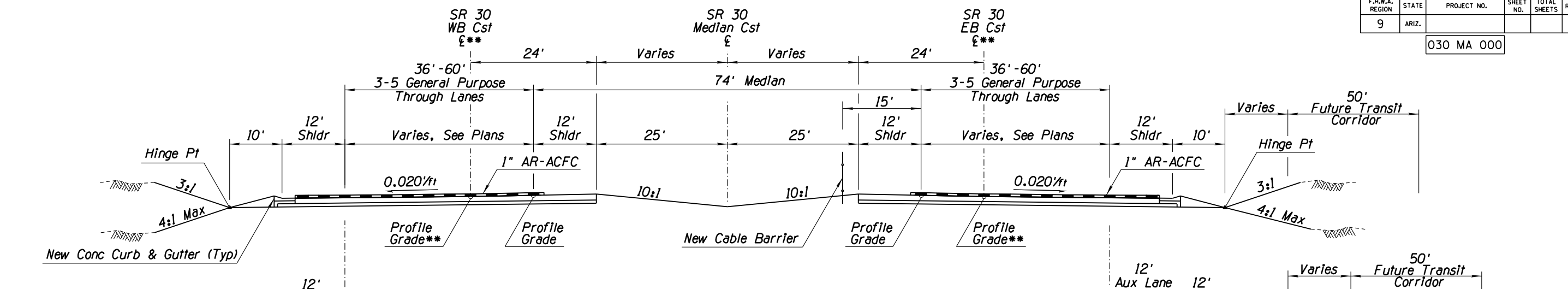
DESIGN	NAME	DATE	ARIZONA DEPARTMENT OF TRANSPORTATION INTERMODAL TRANSPORTATION DIVISION ROADWAY DESIGN SERVICES	<b>LDCR</b> Review NOT FOR CONSTRUCTION OR RECORDING
DRAWN	CAJ	06/19		
CHECKED	BWB	06/19		
HDR, INC. 3200 E. CAMELBACK ROAD SUITE 300 PHOENIX, AZ 85018-2311 TEL (602) 922-7700		INDEX OF DRAWINGS		DWG NO G-01.01
ROUTE	LOCATION	SR 30, SR 303L TO SR 202L		
SR 30				OF
TRACS NO.	H6876 OIL			

## SELECTED ALTERNATIVE



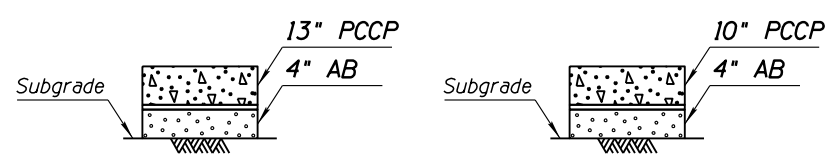
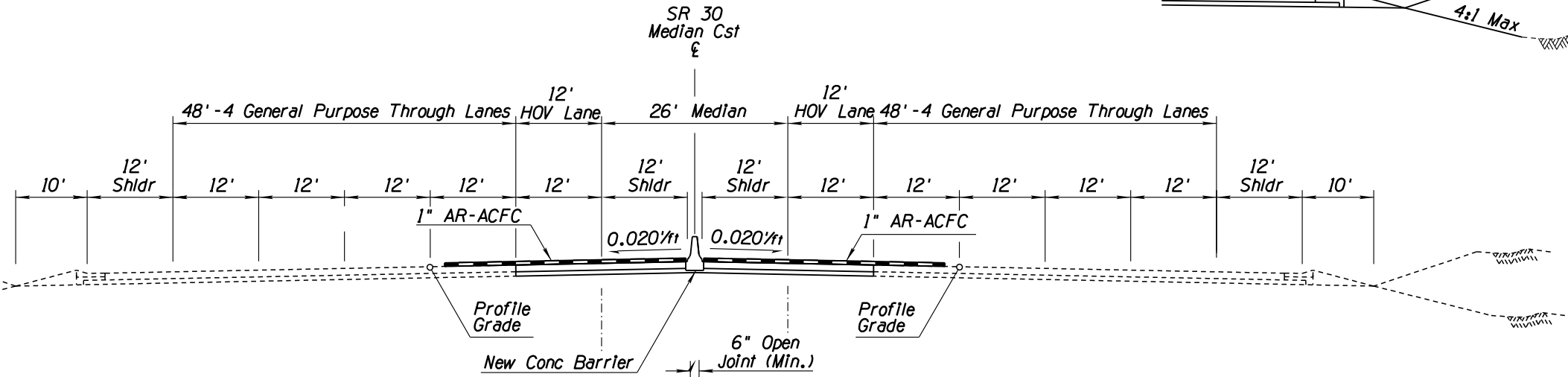
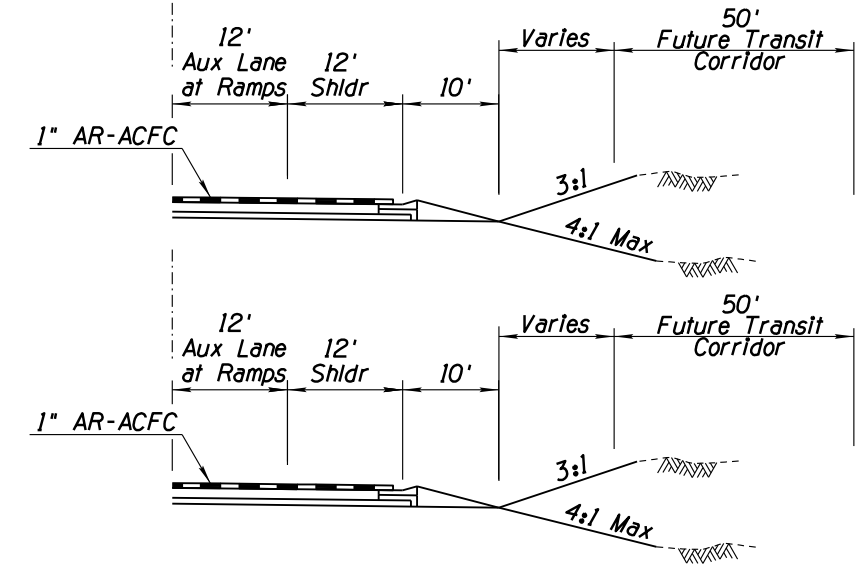
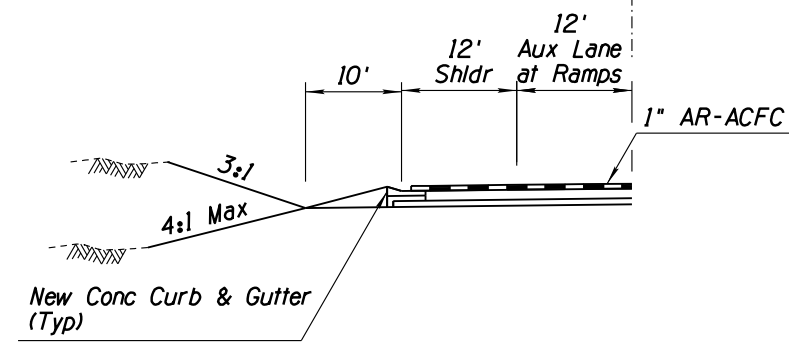
F.H.W.A. REGION	STATE	PROJECT NO.	SHEET NO.	TOTAL SHEETS	RECORD DRAWING
9	ARIZ.				

030 MA 000



**TYPICAL MAIN LINE SECTION (INITIAL)**

\*\* Independant Construction Centerlines are Provided for Eastbound and Westbound SR 30 Beginning at Station 1966+00 and Proceeding Through the SR 30 / SR 202 System Interchange and Future East Leg.



**TYPICAL MAIN LINE SECTION (ULTIMATE)**

**ASSUMED PAVEMENT STRUCTURAL SECTIONS**

**SELECTED ALTERNATIVE**

DESIGN	BJK	DATE	06/19	ARIZONA DEPARTMENT OF TRANSPORTATION INTERMODAL TRANSPORTATION DIVISION ROADWAY DESIGN SERVICES	<b>LDCR</b> Review NOT FOR CONSTRUCTION OR RECORDING DWG NO G-03.01
DRAWN	CADD	DATE	06/19		
CHECKED	BWB	DATE	06/19		
<b>HR</b>		HR, INC. 3300 E. GAMBELBACK ROAD SUITE 300 PHOENIX, AZ 85018-2311 TEL (602) 922-7700		TYPICAL SECTIONS	
ROUTE	SR 30	LOCATION	SR 30, SR 303L TO SR 202L		
TRACS NO.	H6876 OIL				

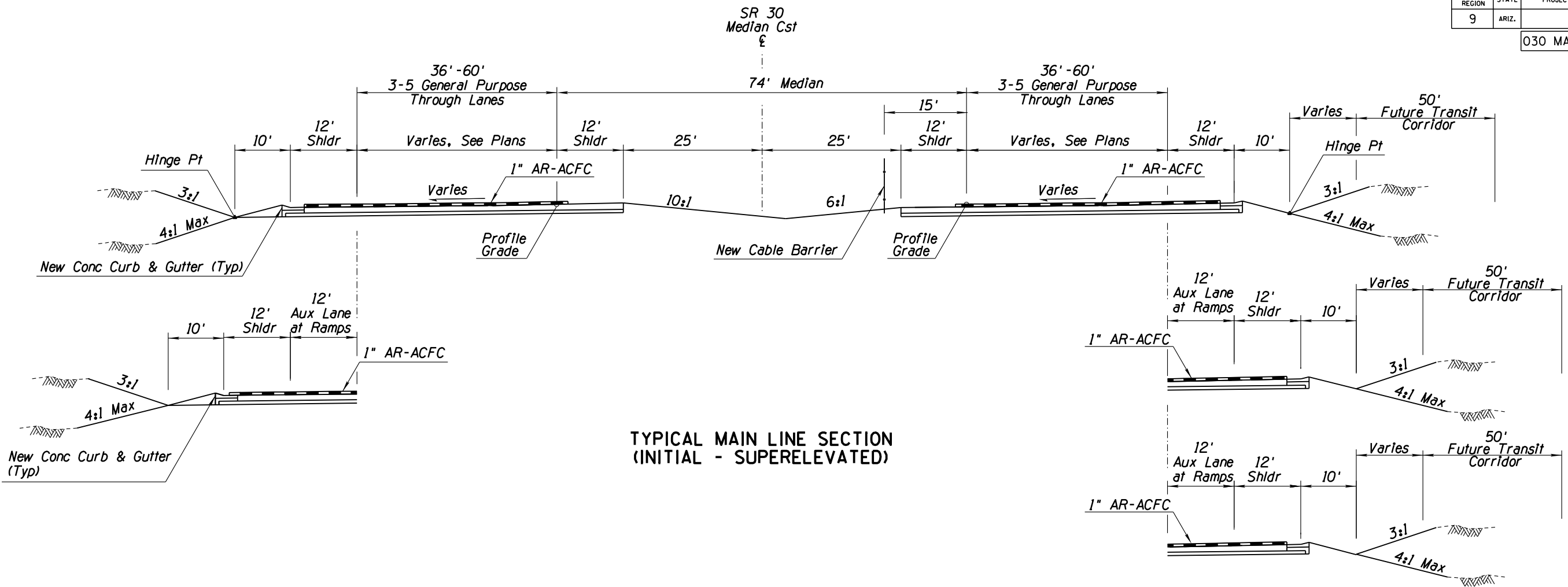
DATE LOCATION REVISIONS FINISHED PLANS SURVEY NO. DATE LOCATION REVISIONS FINISHED PLANS SURVEY NO.

CALL BLUE STAKE CENTER two working days before you dig.  
602-263-1100  
Within Maricopa County OR  
1-800-STAKE-IT (782-5348)

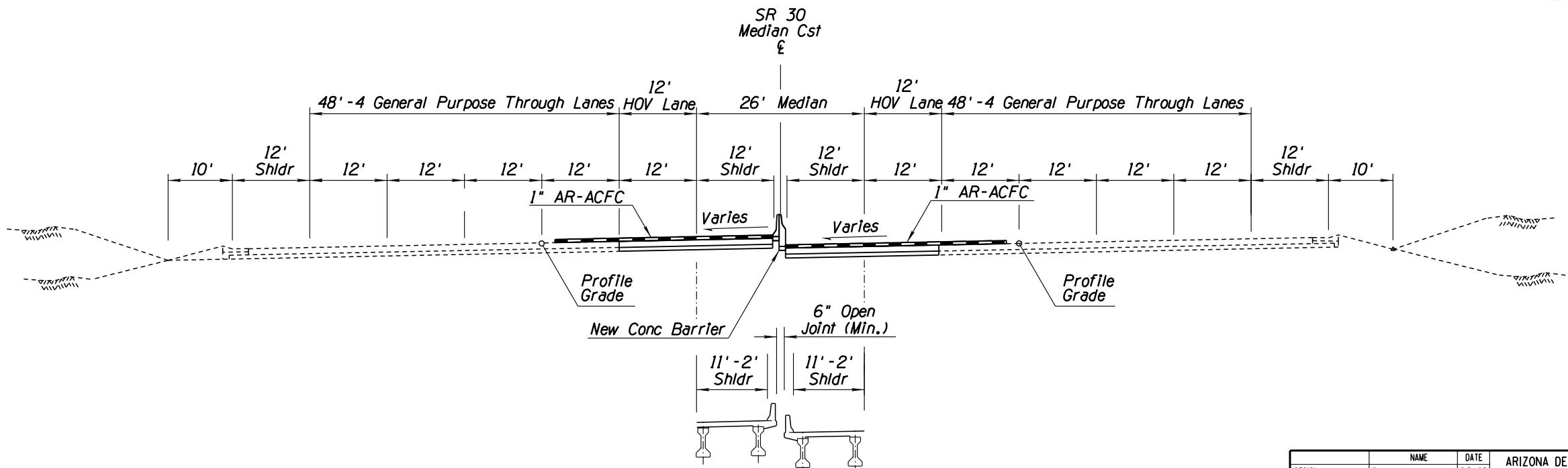
F.H.W.A. REGION	STATE	PROJECT NO.	SHEET NO.	TOTAL SHEETS	RECORD DRAWING
9	ARIZ.				

030 MA 000

SURVEY NO. FINISHED PLANS REVISIONS LOCATION DATE



TYPICAL MAIN LINE SECTION (INITIAL - SUPERELEVATED)



TYPICAL MAIN LINE SECTION (ULTIMATE - SUPERELEVATED)

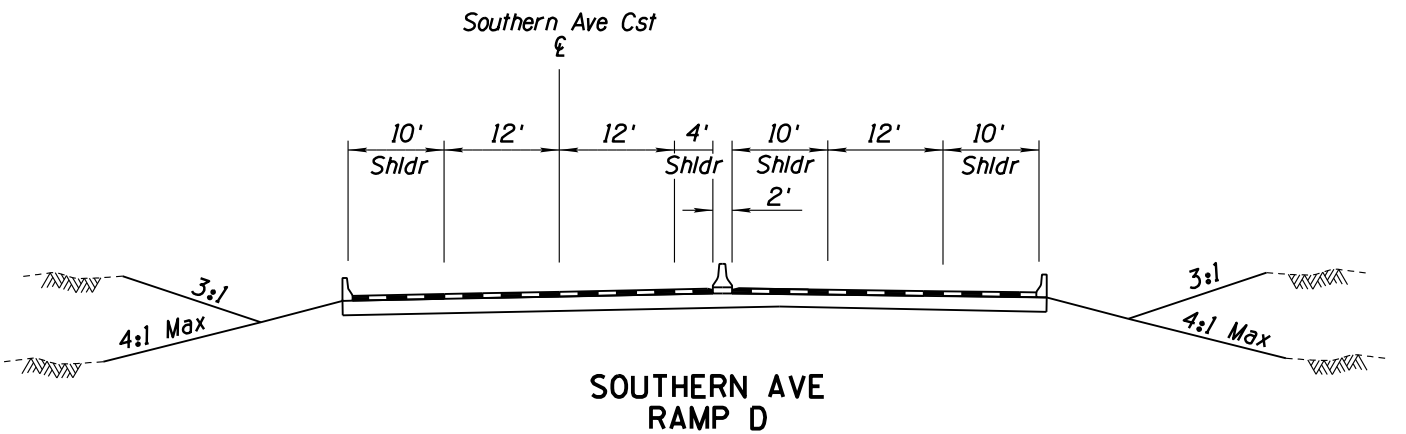
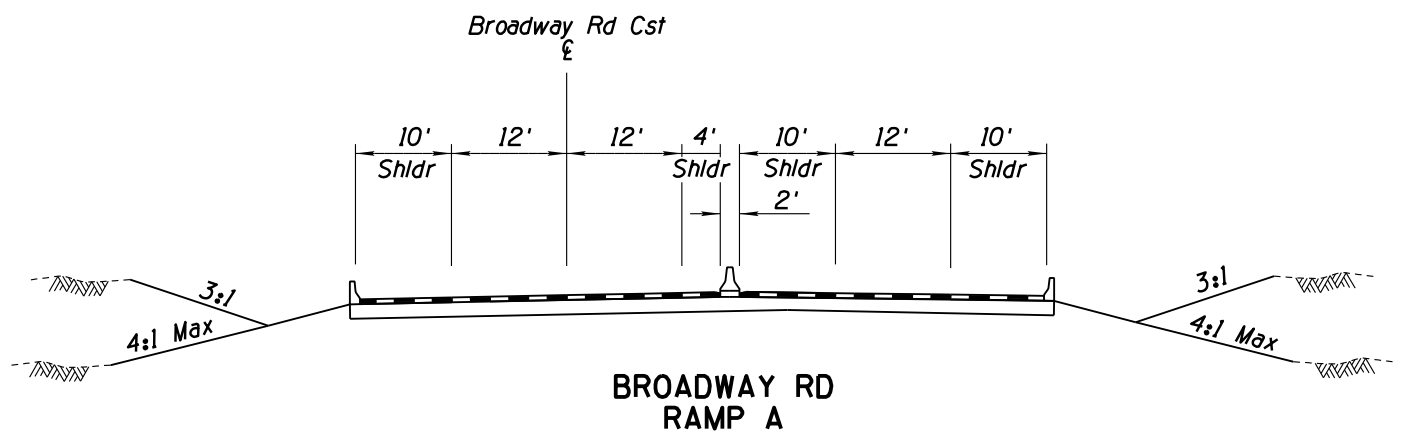
**SELECTED ALTERNATIVE**

CALL BLUE STAKE CENTER two working days before you dig.  
 602-263-1100  
 Within Maricopa County OR  
 1-800-STAKE-IT (782-5348)

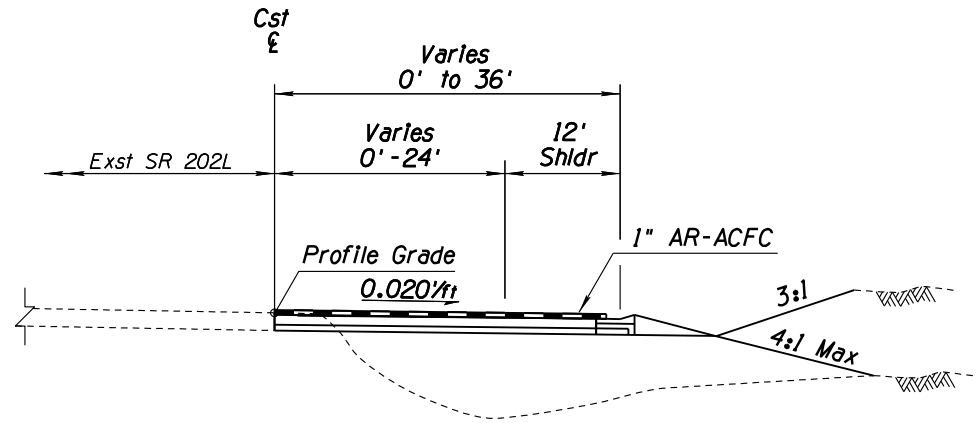
DESIGN	BJK	DATE	06/19	ARIZONA DEPARTMENT OF TRANSPORTATION INTERMODAL TRANSPORTATION DIVISION ROADWAY DESIGN SERVICES	<b>LDCR</b> Review NOT FOR CONSTRUCTION OR RECORDING
DRAWN	CADD	DATE	06/19		
CHECKED	BWB	DATE	06/19		
<b>HR</b>		<small>HR, INC. 3200 E. GAMBELBACK ROAD SUITE 300 PHOENIX, AZ 85018-2311 TEL (602) 922-7700</small>		TYPICAL SECTIONS	DWG NO G-03.02
ROUTE	SR 30	LOCATION	SR 30, SR 303L TO SR 202L	OF	
TRACS NO.	H6876 OIL				

F.H.W.A. REGION	STATE	PROJECT NO.	SHEET NO.	TOTAL SHEETS	RECORD DRAWING
9	ARIZ.				

030 MA 000



TYPICAL SECTION ALONG SR 202L



SR 202L WIDENING

**SELECTED ALTERNATIVE**

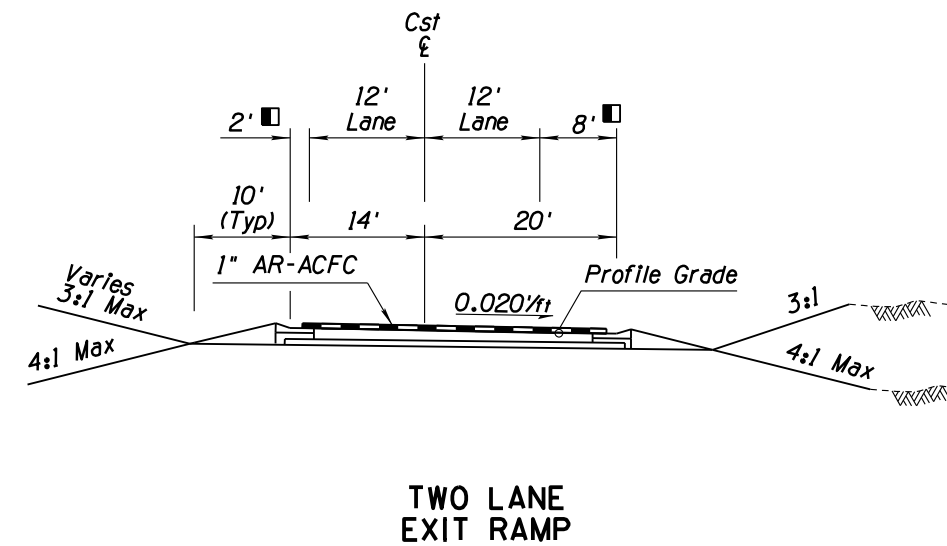
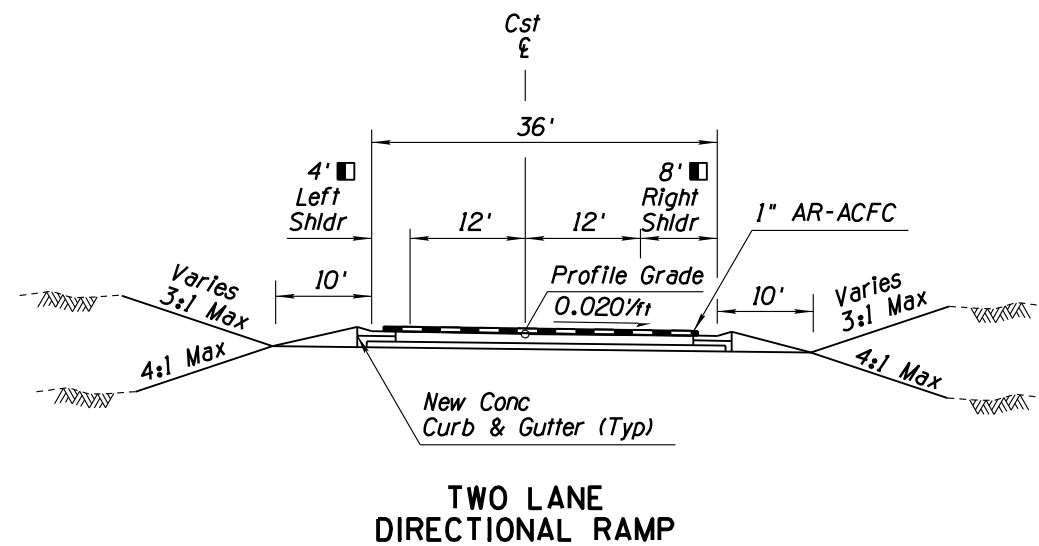
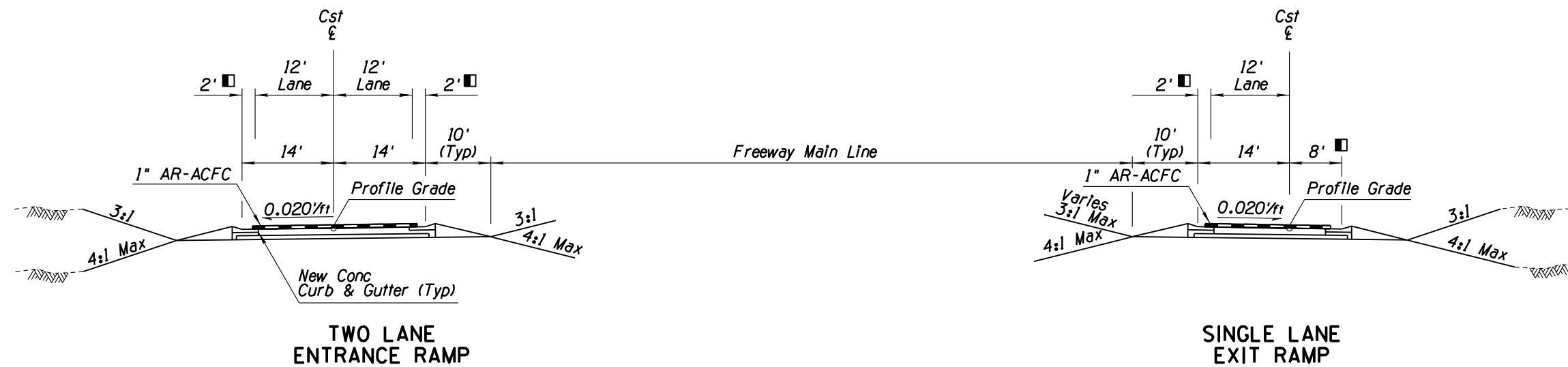
CALL BLUE STAKE CENTER two working days before you dig.  
**602-263-1100**  
 Within Maricopa County OR  
**1-800-STAKE-IT**  
 (782-5348)

DESIGN	BJK	DATE	06/19	ARIZONA DEPARTMENT OF TRANSPORTATION INTERMODAL TRANSPORTATION DIVISION ROADWAY DESIGN SERVICES	<b>LDCR</b> Review NOT FOR CONSTRUCTION OR RECORDING
DRAWN	CADD	DATE	06/19		
CHECKED	BWB	DATE	06/19		
<b>HDR</b>		HDR, INC. 3200 E. CAMELBACK ROAD SUITE 300 PHOENIX, AZ 85018-2311 TEL (602) 922-7700		TYPICAL SECTIONS	
ROUTE	SR 30	LOCATION	SR 30, SR 303L TO SR 202L		DWG NO G-03.03
TRACS NO.	H6876 OIL				OF

DATE- LOCATION- REVISIONS- FINISHED PLANS- SURVEY NO. DATE- LOCATION- REVISIONS- FINISHED PLANS- SURVEY NO.


F.H.W.A. REGION	STATE	PROJECT NO.	SHEET NO.	TOTAL SHEETS	RECORD DRAWING
9	ARIZ.				

030 MA 000



■ Add 2' to these shoulders when barrier is present

Call BLUE STAKE CENTER two working days before you dig.  
602-263-1100  
Within Maricopa County OR  
1-800-STAKE-IT (782-5348)

DESIGN	NAME	DATE	ARIZONA DEPARTMENT OF TRANSPORTATION INTERMODAL TRANSPORTATION DIVISION ROADWAY DESIGN SERVICES	<b>LDCR</b> Review NOT FOR CONSTRUCTION OR RECORDING DWG NO G-03.04
DRAWN	BJK	06/19		
CHECKED	CADD	06/19		
	BWB	06/19	TYPICAL SECTIONS	
 <small>HDR, INC. 3200 E. CAMELBACK ROAD SUITE 300 PHOENIX, AZ 85018-2311 TEL (602) 922-7700</small>				
ROUTE	SR 30	LOCATION	SR 30, SR 303L TO SR 202L	
TRACS NO.	H6876 OIL			OF

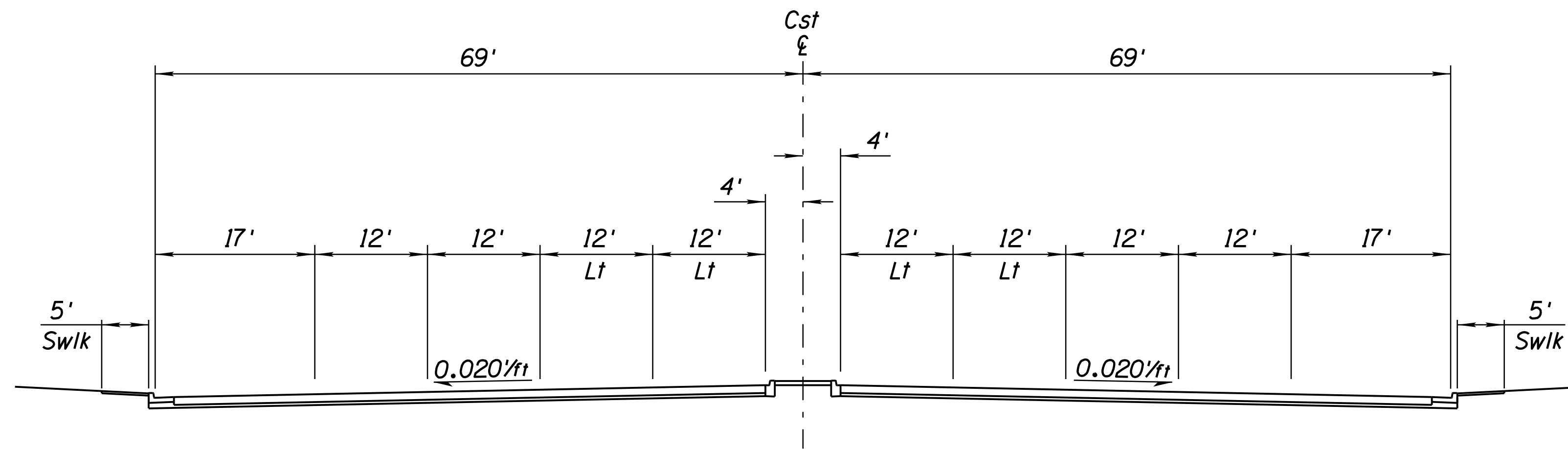
# SELECTED ALTERNATIVE

DATE- LOCATION- REVISIONS- FINISHED PLANS- SURVEY NO. DATE- LOCATION- REVISIONS- FINISHED PLANS- SURVEY NO.

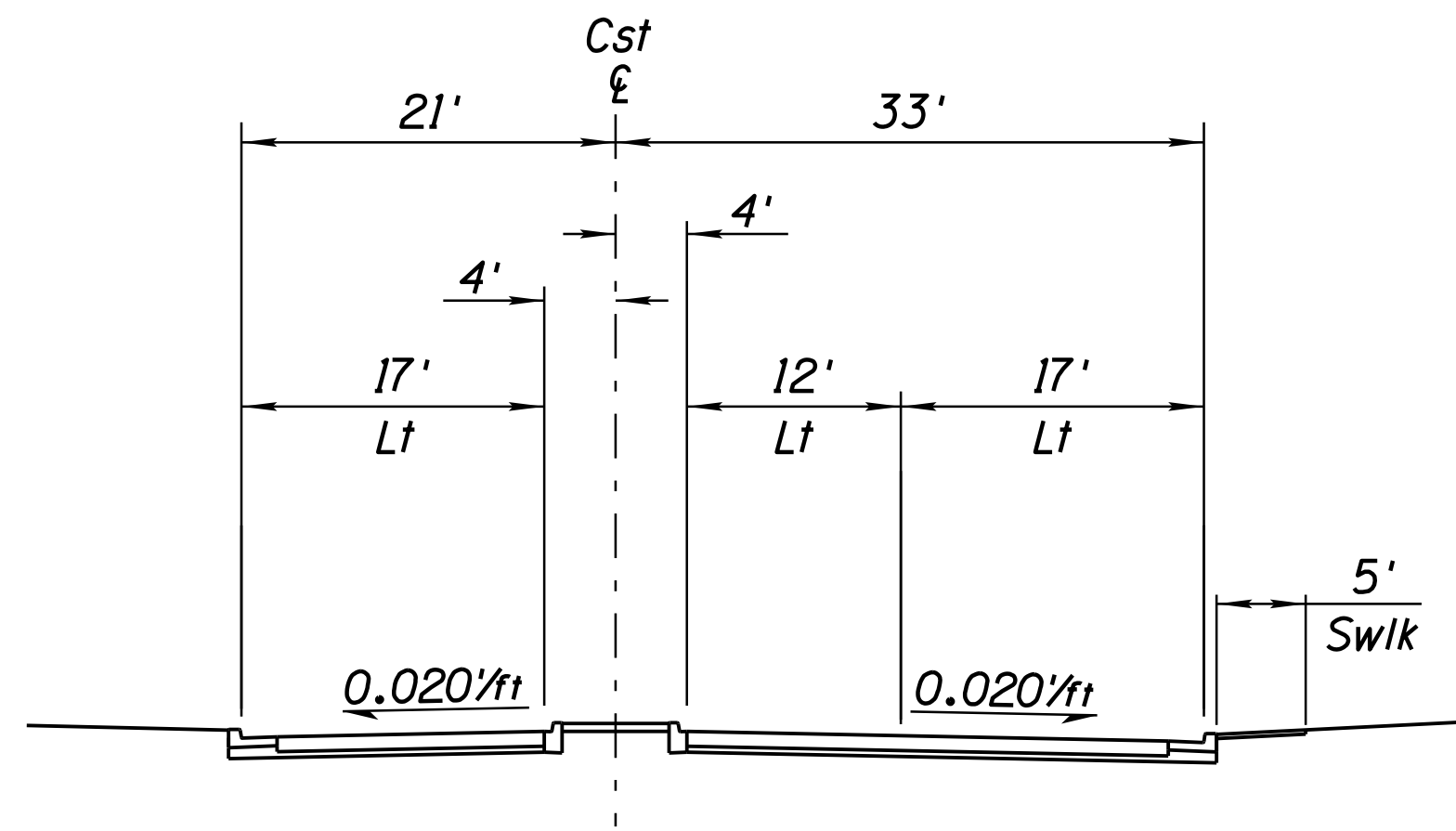


F.H.W.A. REGION	STATE	PROJECT NO.	SHEET NO.	TOTAL SHEETS	AS BUILT
9	ARIZ.				

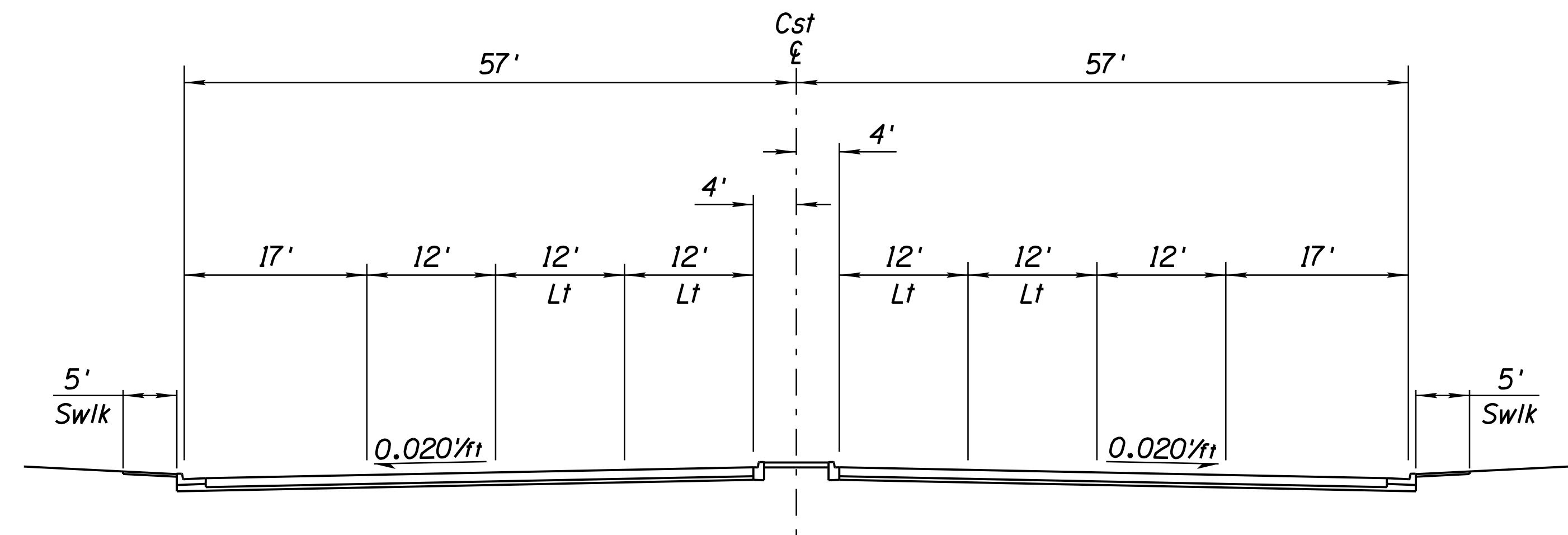
030 MA 000



**TYPICAL SECTION**  
Cotton Lane (SECTION 1)  
Estrella Parkway (SECTION 1)



**TYPICAL SECTION**  
Sarival Avenue (SECTION 1)



**TYPICAL SECTION**  
Bullard Avenue (SECTION 2)

**SELECTED ALTERNATIVE**

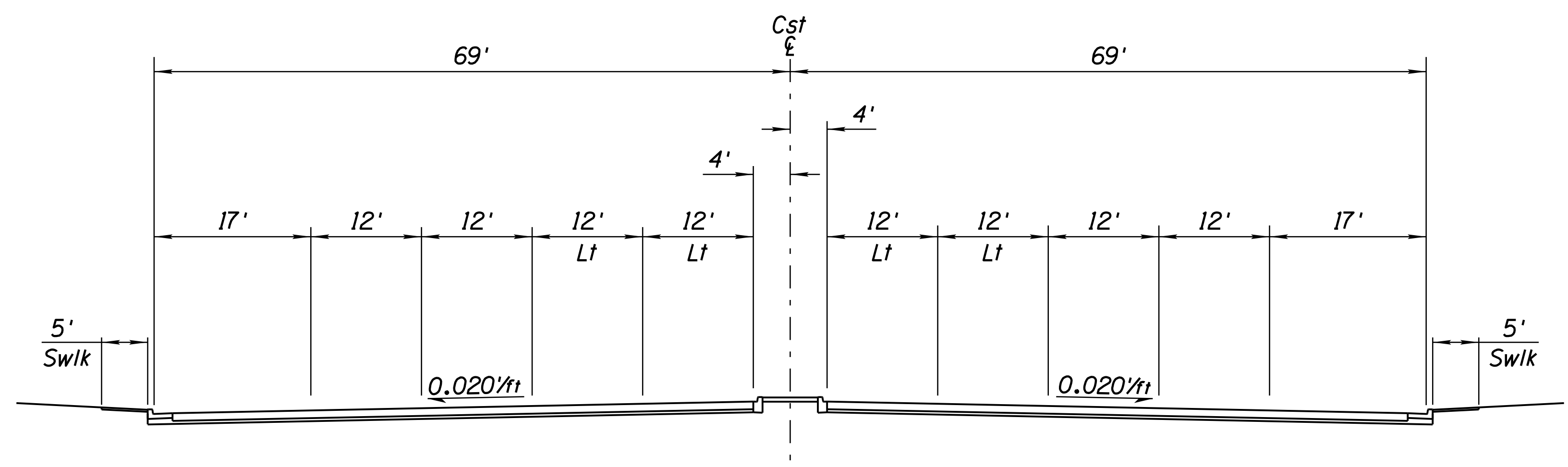
CALL BLUE STAKE CENTER two working days before you dig.  
602-263-1100  
Within Maricopa County  
OR  
1-800-STAKE-IT  
(782-5348)

DESIGN	FMM	DATE	3/15	ARIZONA DEPARTMENT OF TRANSPORTATION INTERMODAL TRANSPORTATION DIVISION ROADWAY DESIGN SERVICES	<b>L/DCR</b> Review NOT FOR CONSTRUCTION OR RECORDING
DRAWN	FMM,AMC	DATE	3/15		
CHECKED	MDS	DATE	3/15		
<b>AZTEC</b>		4561 E. McDowell Road Phoenix, AZ 85008-4505 Tel: 602-454-0402 Fax: 602-454-0403 www.aztec.us		<b>CROSSROAD TYPICAL SECTIONS</b>	
ROUTE	SR 30	LOCATION	SR 30, SR 303L TO SR 202L	DWG NO. G-03.05	
TRACS NO.	H6876 OIL			OF	

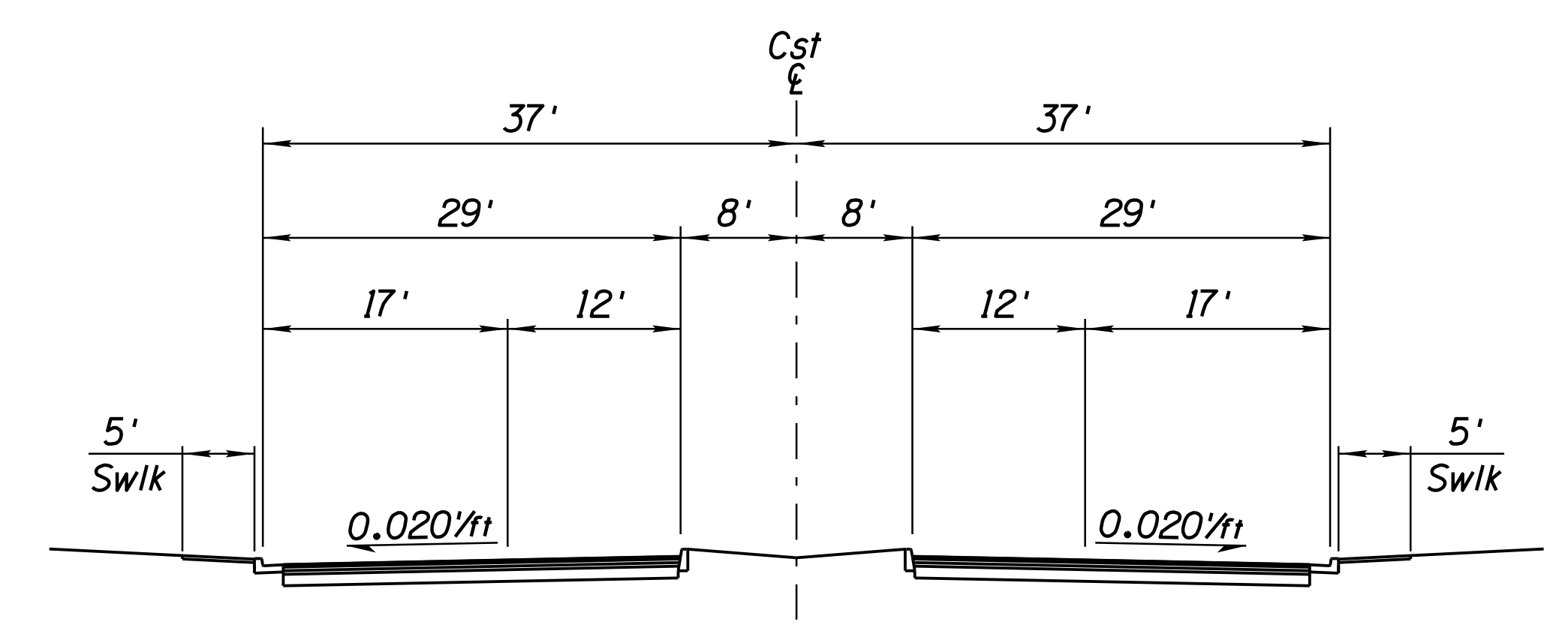
DATE- LOCATION- REVISIONS- FINISHED PLANS- SURVEY NO. DATE- LOCATION- REVISIONS- FINISHED PLANS- SURVEY NO.

F.H.W.A. REGION	STATE	PROJECT NO.	SHEET NO.	TOTAL SHEETS	AS BUILT
9	ARIZ.				

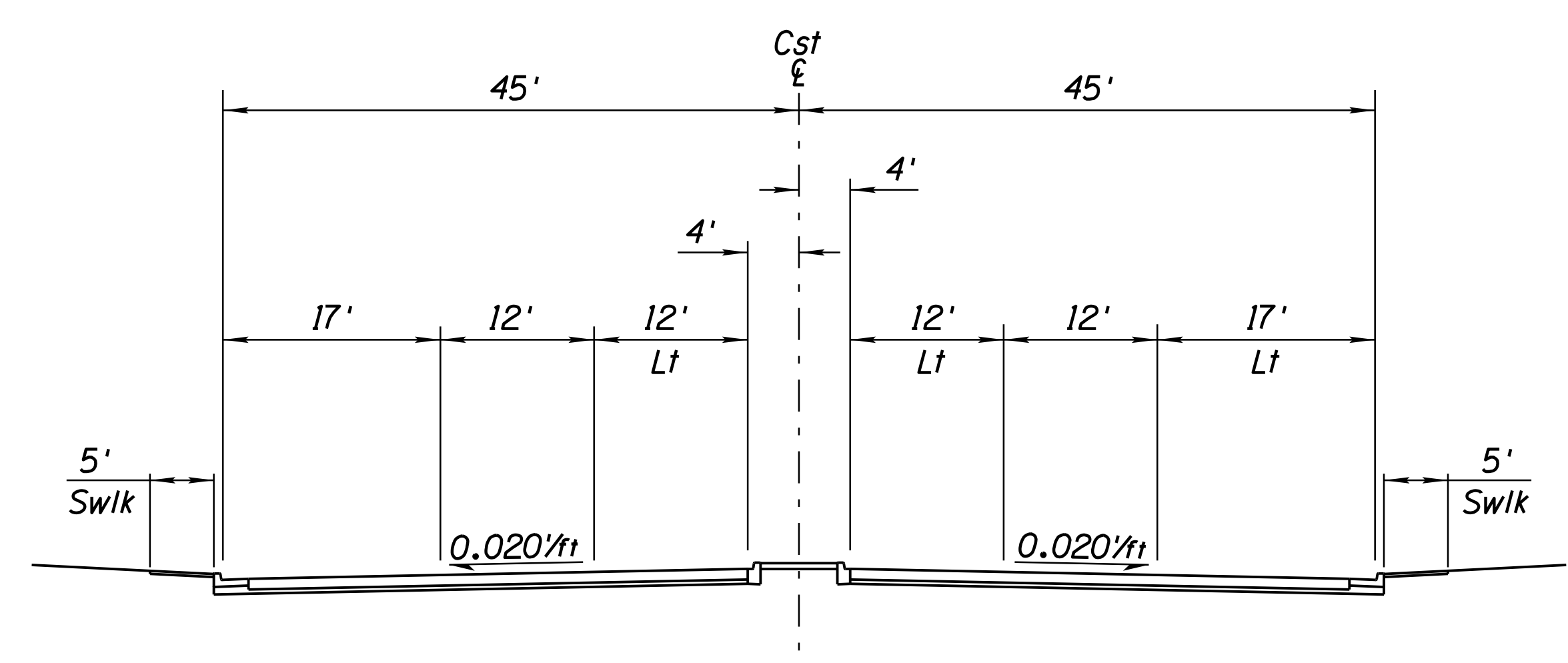
030 MA 000



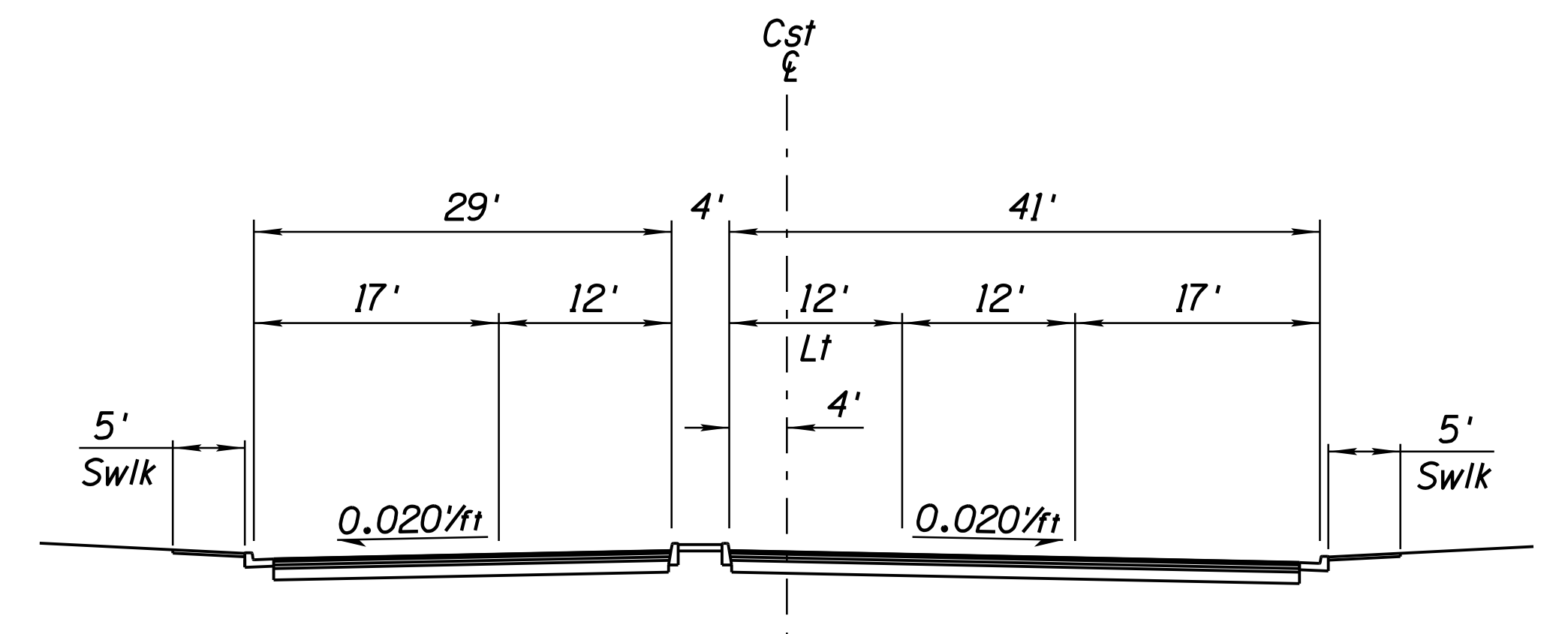
**TYPICAL SECTION**  
 Dysart Road (SECTION 2)  
 Avondale Boulevard (SECTION 2)



**TYPICAL SECTION**  
 Southern Avenue (SECTION 2)



**TYPICAL SECTION**  
 107th Avenue (SECTION 2)



**TYPICAL SECTION**  
 El Mirage Road (SECTION 2)

CALL BLUE STAKE CENTER two working days before you dig.  
**602-263-1100**  
 Within Maricopa County  
 OR  
**1-800-STAKE-IT**  
 (782-5348)

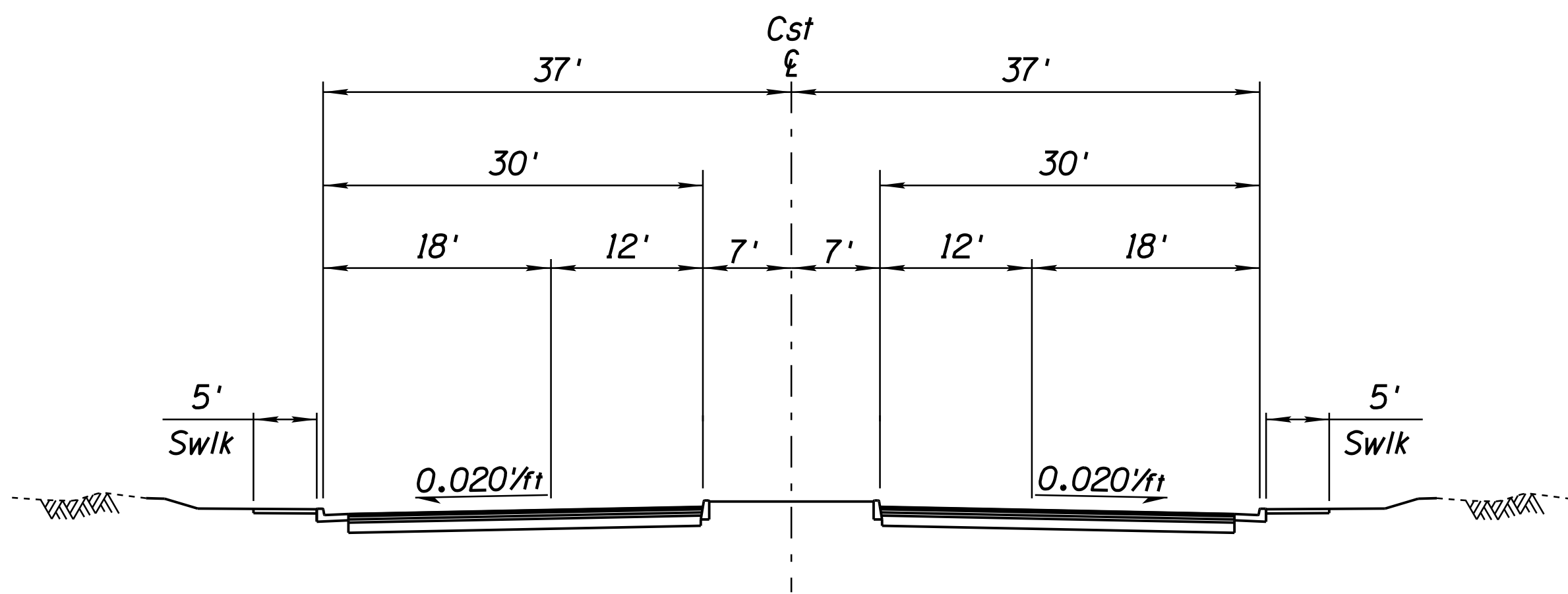
DESIGN	FMM	DATE	3/15	ARIZONA DEPARTMENT OF TRANSPORTATION INTERMODAL TRANSPORTATION DIVISION <b>ROADWAY DESIGN SERVICES</b>	<b>L/DCR</b> Review NOT FOR CONSTRUCTION OR RECORDING
DRAWN	FMM,AMC	DATE	3/15		
CHECKED	MDS	DATE	3/15		
<b>AZTEC</b>		4561 E. McDowell Road Phoenix, AZ 85008-4505 Tel: 602-454-0402 Fax: 602-454-0403 www.aztec.us		<b>CROSSROAD TYPICAL SECTIONS</b>	
ROUTE	SR 30	LOCATION	SR 30, SR 303L TO SR 202L	DWG NO. G-03.06	
TRACS NO.	H6876 OIL			OF	

**SELECTED ALTERNATIVE**

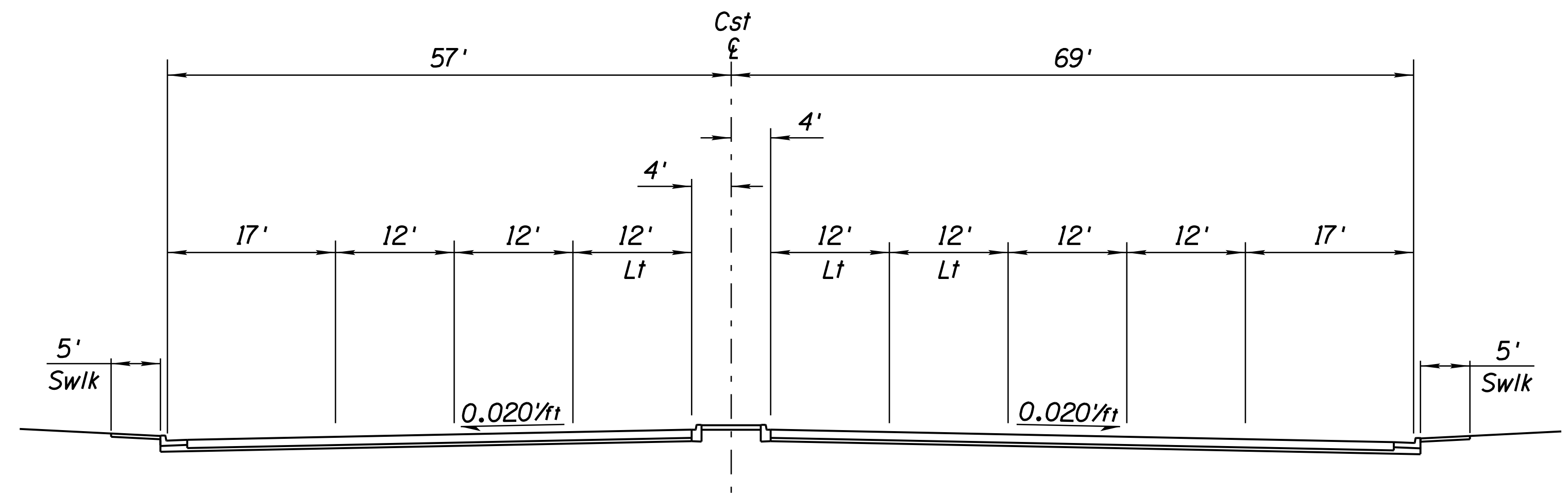
SURVEY NO. FINISHED PLANS REVISIONS LOCATION DATE  
 SURVEY NO. FINISHED PLANS REVISIONS LOCATION DATE  
 SURVEY NO. FINISHED PLANS REVISIONS LOCATION DATE

F.H.W.A. REGION	STATE	PROJECT NO.	SHEET NO.	TOTAL SHEETS	AS BUILT
9	ARIZ.				

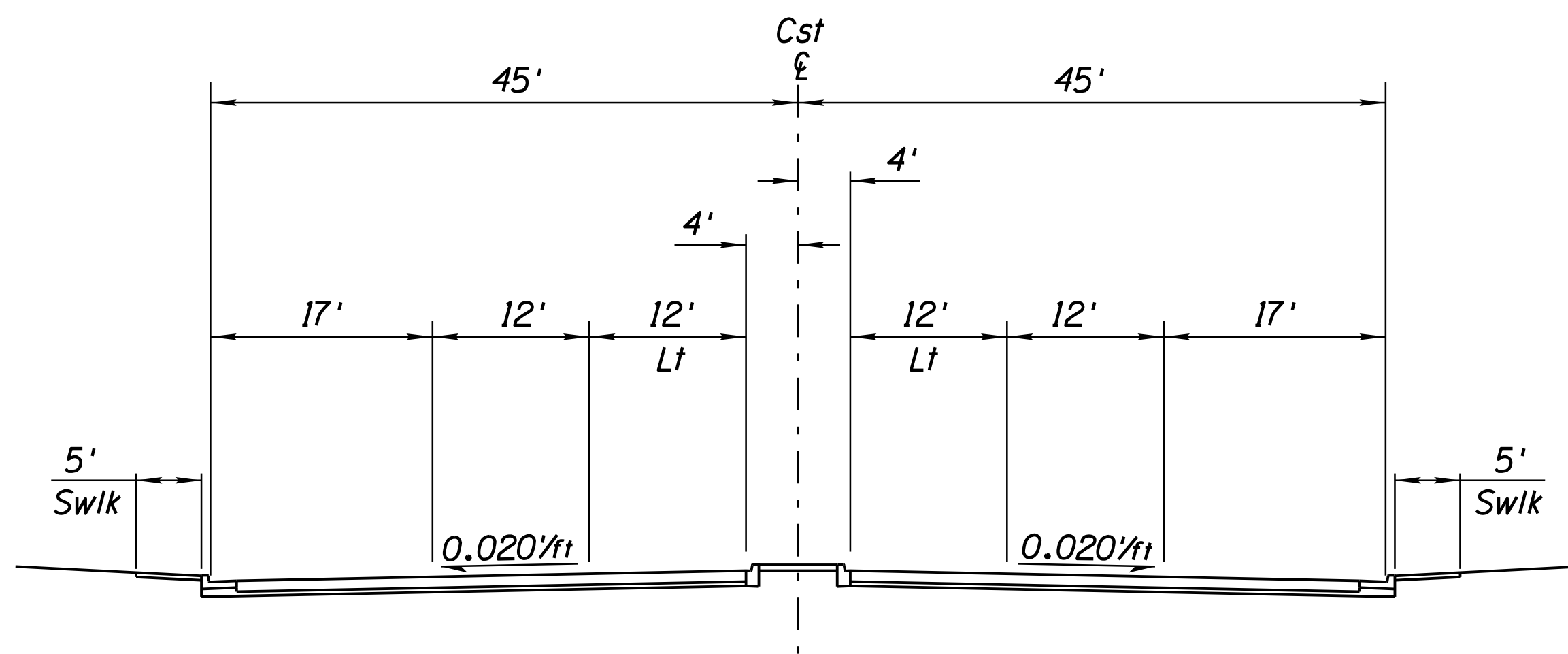
030 MA 000



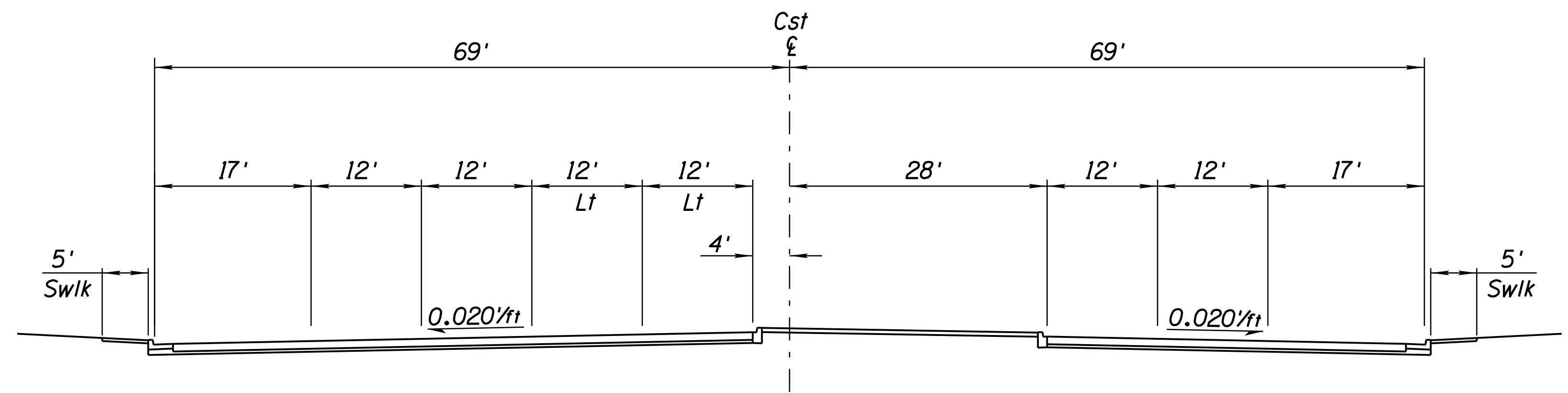
**TYPICAL SECTION**  
99th Avenue (SECTION 2)  
75th Avenue (SECTION 3)



**TYPICAL SECTION**  
91st Avenue (SECTION 2)



**TYPICAL SECTION**  
83rd Avenue (SECTION 3)



**TYPICAL SECTION**  
67th Avenue (SECTION 3)

# SELECTED ALTERNATIVE

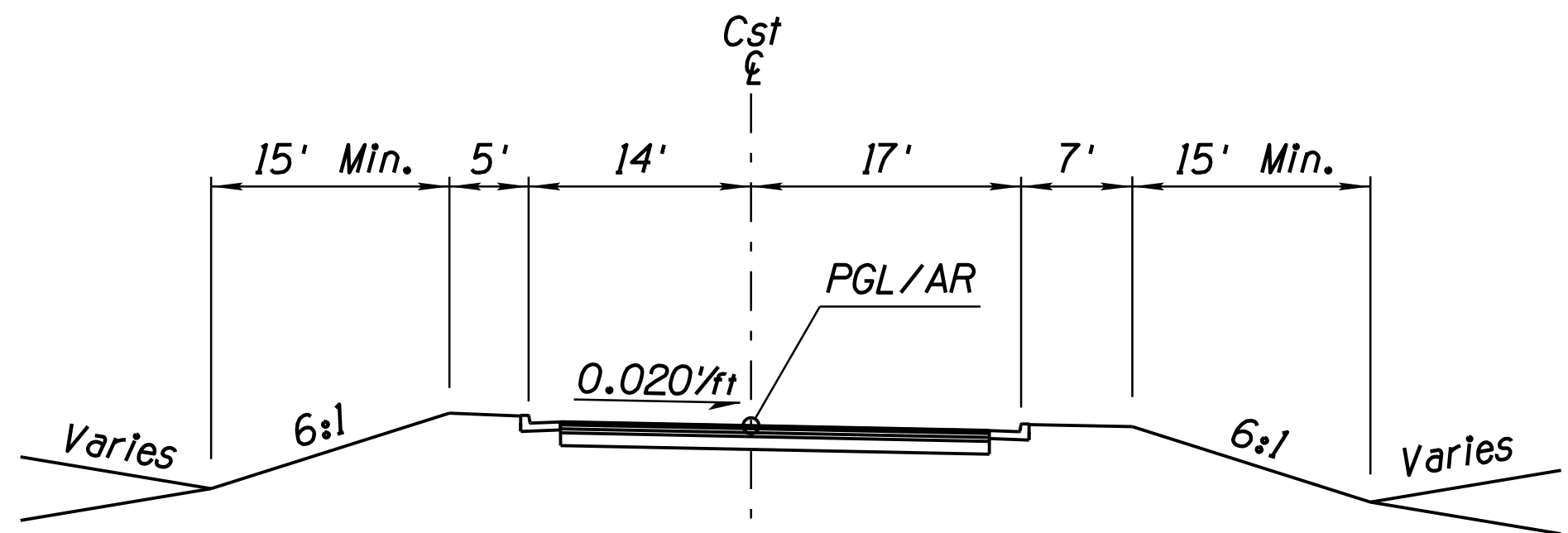
CALL BLUE STAKE CENTER two working days before you dig.  
602-263-1100  
Within Maricopa County  
OR  
1-800-STAKE-IT  
(782-5348)

DESIGN	FMM	DATE	3/15	ARIZONA DEPARTMENT OF TRANSPORTATION INTERMODAL TRANSPORTATION DIVISION ROADWAY DESIGN SERVICES	<b>L/DCR</b> Review NOT FOR CONSTRUCTION OR RECORDING
DRAWN	FMM,AMC	DATE	3/15		
CHECKED	MDS	DATE	3/15		
<b>AZTEC</b>		4561 E. McDowell Road Phoenix, AZ 85008-4505 Tel: 602-454-0402 Fax: 602-454-0403 www.aztecus.com		<b>CROSSROAD TYPICAL SECTIONS</b>	
ROUTE	SR 30	LOCATION	SR 30, SR 303L TO SR 202L	DWG NO. G-03.07	
TRACS NO.	H6876 OIL			OF	

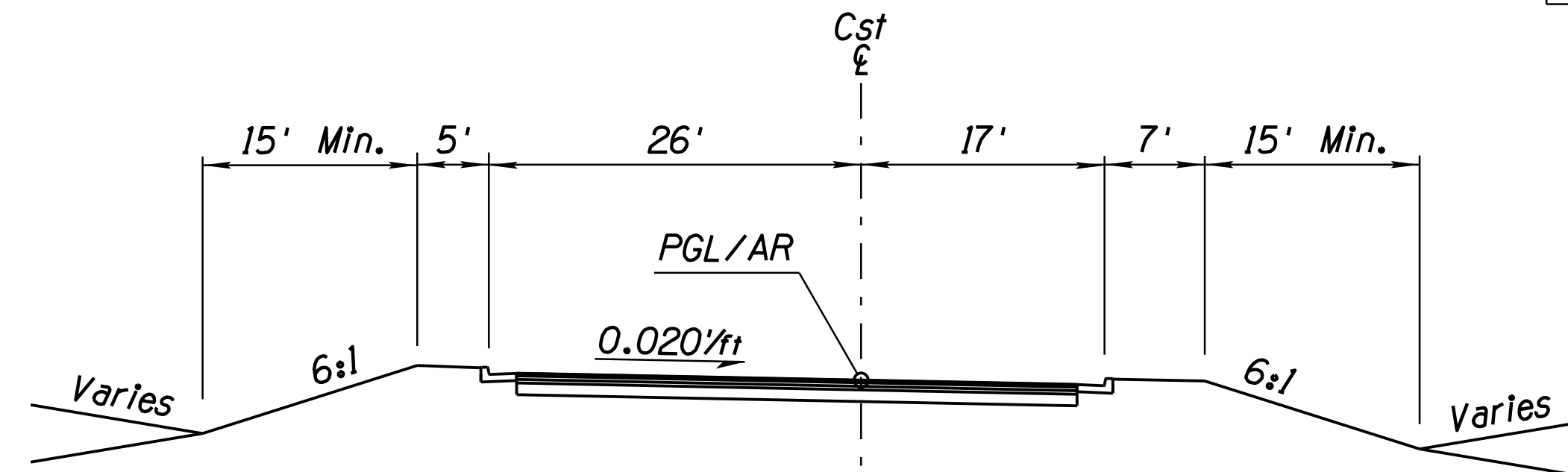
SURVEY NO. FINISHED PLANS REVISIONS LOCATION DATE SURVEY NO. FINISHED PLANS REVISIONS LOCATION DATE SURVEY NO. FINISHED PLANS REVISIONS LOCATION DATE

F.H.W.A. REGION	STATE	PROJECT NO.	SHEET NO.	TOTAL SHEETS	AS BUILT
9	ARIZ.				

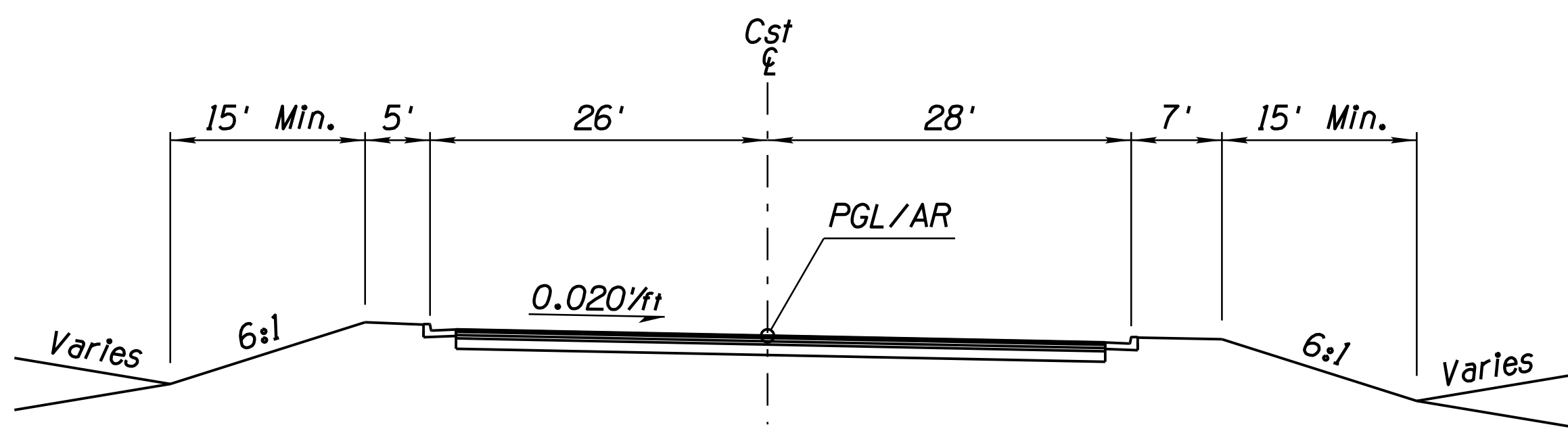
030 MA 000



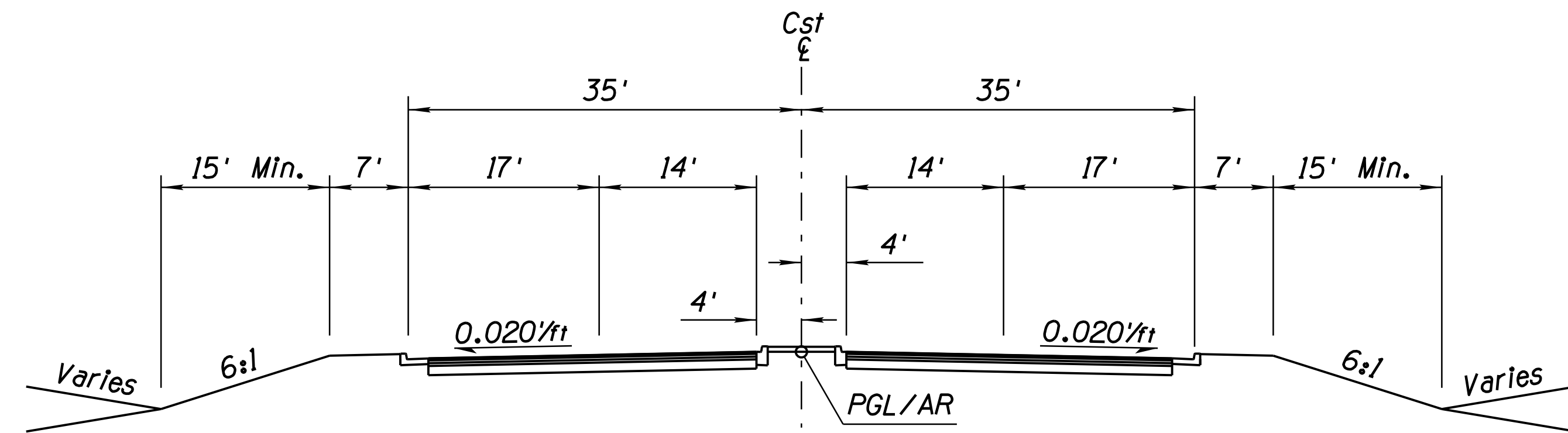
**FRONTAGE ROAD TYPICAL SECTION**  
One Way (2-Lane) (SECTION 2)



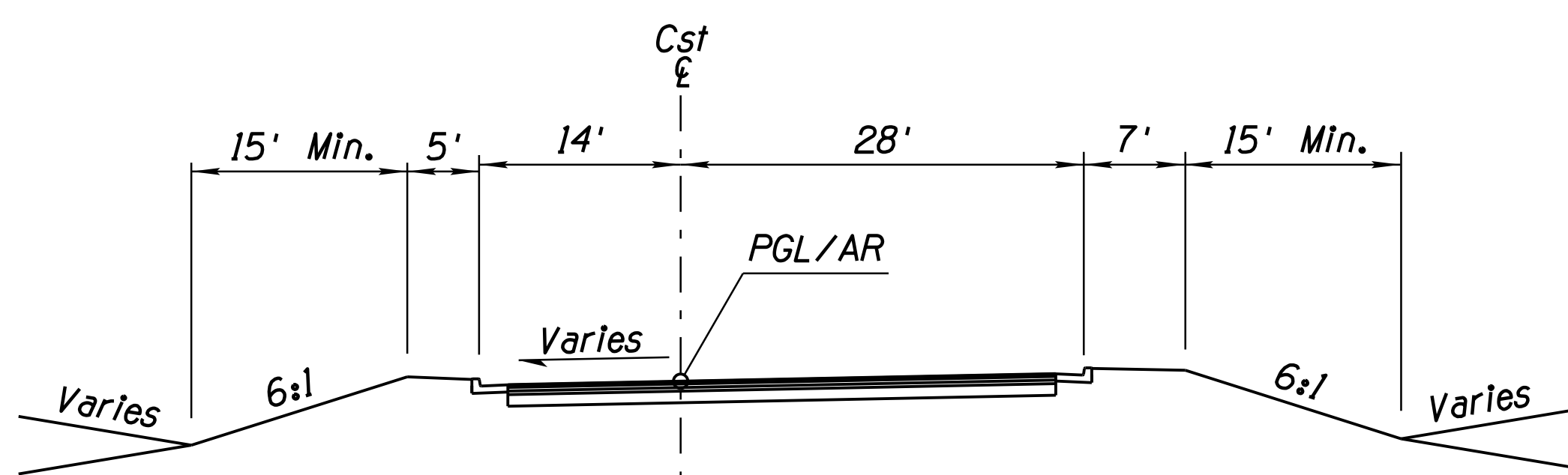
**FRONTAGE ROAD TYPICAL SECTION**  
One Way (3-Lane) (SECTION 2)



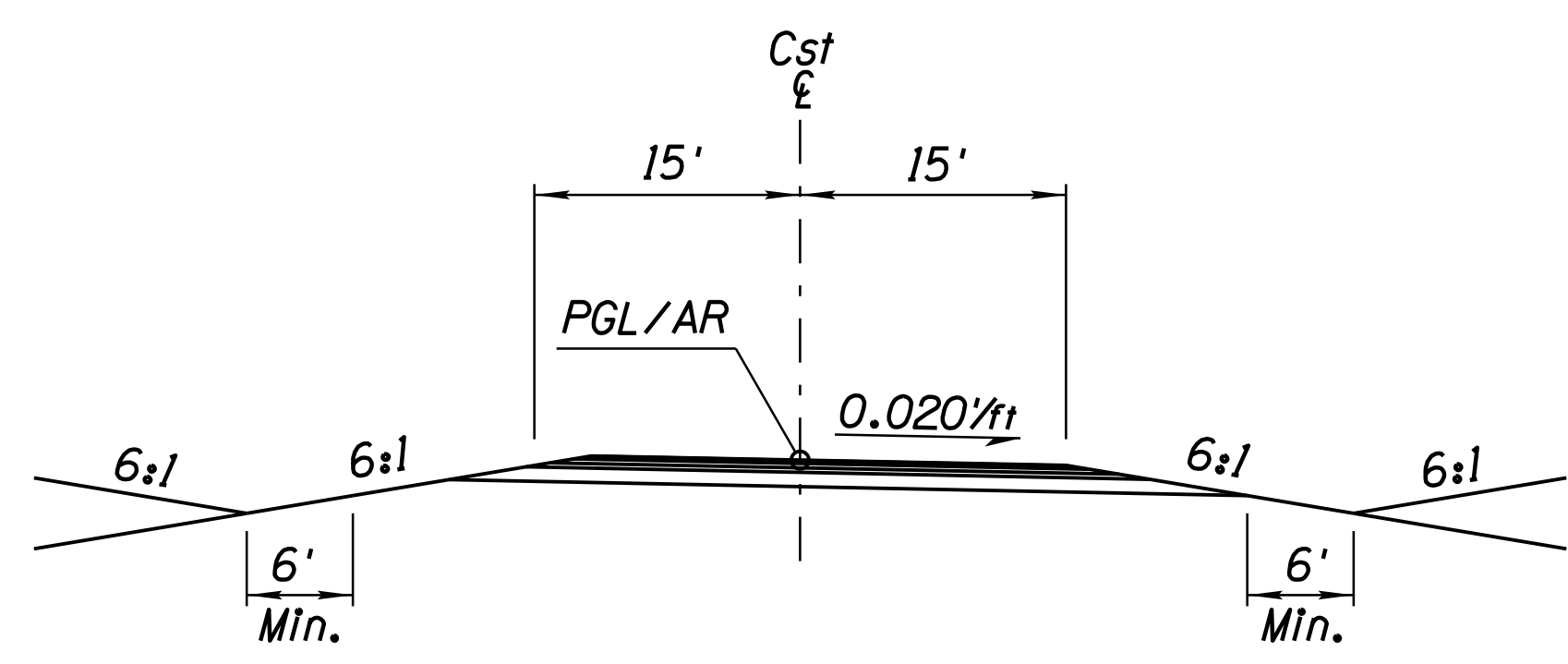
**FRONTAGE ROAD TYPICAL SECTION**  
One Way (2-Lane with Turn Lanes) (SECTION 2)



**FRONTAGE ROAD TYPICAL SECTION**  
Two Way (4-Lane) (SECTION 2)



**FRONTAGE ROAD TYPICAL SECTION**  
One Way (2-Lane with Auxiliary Lane) (SECTION 2)



**DRIVEWAY TYPICAL SECTION**  
Two Way (2-Lane) (SECTION 2)

CALL BLUE STAKE CENTER two working days before you dig.  
602-263-1100  
Within Maricopa County  
OR  
1-800-STAKE-IT  
(782-5348)

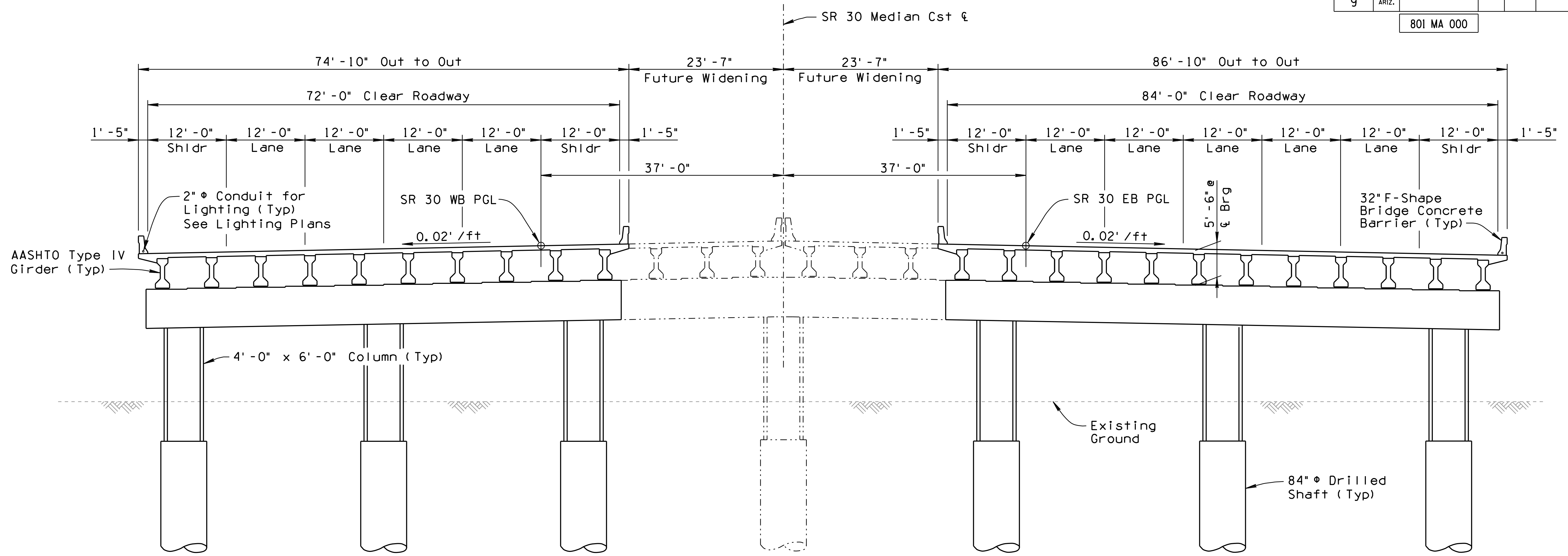
DESIGN	FMM	DATE	3/15	ARIZONA DEPARTMENT OF TRANSPORTATION INTERMODAL TRANSPORTATION DIVISION ROADWAY DESIGN SERVICES	<b>L/DCR</b> Review NOT FOR CONSTRUCTION OR RECORDING
DRAWN	FMM,AMC	DATE	3/15		
CHECKED	MDS	DATE	3/15		
<b>AZTEC</b>		4561 E. McDowell Road Phoenix, AZ 85008-6505 Tel: 602-454-5400 Fax: 602-454-5403 www.aztecus.com		<b>FRONTAGE ROAD TYPICAL SECTIONS</b>	
ROUTE	SR 30	LOCATION	SR 30, SR 303L TO SR 202L	DWG NO. G-03.08	
TRACS NO.	H6876 OIL			OF	

**SELECTED ALTERNATIVE**

DATE: LOCATION: REVISIONS: FINISHED PLANS: SURVEY NO. DATE: LOCATION: REVISIONS: FINISHED PLANS: SURVEY NO.

F.H.W.A. REGION	STATE	PROJECT NO.	SHEET NO.	TOTAL SHEETS	AS BUILT
9	ARIZ.				

801 MA 000



WESTBOUND

TYPICAL SECTION  
Scale: 1/8" = 1'-0"

EASTBOUND

# SELECTED ALTERNATIVE

DESIGN	MC	DATE	3-15	ARIZONA DEPARTMENT OF TRANSPORTATION INTERMODAL TRANSPORTATION DIVISION BRIDGE GROUP	DCR Review NOT FOR CONSTRUCTION OR RECORDING
DRAWN	DES	DATE	3-15		
CHECKED	JMC	DATE	3-15		
AZTEC			4561 E. McDowell Road Phoenix, AZ 85008-4505 Tel: 602-454-0402 Fax: 602-454-0403 www.aztecus.com		
SR 30		LOCATION	SR 30, SR 303L to SR 202L		
ROUTE	MILEPOST	STRUCTURE NO.	TRACS NO. H6876 OIL		
DWG. NO. G-03.09					
OF					

F.H.W.A. REGION	STATE	PROJECT NO.	SHEET NO.	TOTAL SHEETS	RECORD DRAWING
9	ARIZ.				


030 MA 000

PLAN REF NO.	LOCATION	P.I./P.O.T. STATION	COORDINATES		All Coordinates Are Ground Coordinates And All Bearings Are Grid Bearings						G.A.F. = 1.00016
	SR 30										
109	SR 30 Cst & POT	1314+93.83	N=872867.7131	E=545837.9125							
110	SR 30 Cst & PC	1326+44.63	N=873473.8268	E=546816.1594							
111	SR 30 Cst & PI	1351+89.23	N=874814.0429	E=548979.2227	SIMPLE	Δ=31°25'12"	D=0°38'00"	R=9046.70	T=2544.61	L=4961.03	Ext=351.06
112	SR 30 Cst & PT	1376+05.66	N=874830.1260	E=551523.7784							
113	SR 30 Cst & POT	1436+48.95	N=874868.3222	E=557566.9462							
	Sarival Ave										
12000	Sarival Ave Cst & POB	4+82.13	N=875886.7640	E=549740.2631							
12001	Sarival Ave Cst & POE	30+54.53	N=873314.3825	E=549729.7889							
	Sarival Ave Ramp C										
12700	Sarival Ave Ramp C Cst & POB	10+00.00	N=874870.0099	E=549736.1231							
12701	Sarival Ave Ramp C Cst & PC	15+07.62	N=874934.2175	E=550239.6633							
12702	Sarival Ave Ramp C Cst & PI	18+72.20	N=874980.3334	E=550601.3219	SIMPLE	Δ=10°54'16"	D=1°30'00"	R=3819.72	T=364.59	L=726.97	Ext=17.36
12703	Sarival Ave Ramp C Cst & PT	22+34.59	N=874957.2003	E=550965.1741							
12704	Sarival Ave Ramp C Cst & POT	28+88.33	N=874915.7206	E=551617.5950							
	Sarival Ave Ramp D										
12800	Sarival Ave Ramp D Cst & POT	10+00.00	N=874390.9223	E=549734.1723							
12801	Sarival Ave Ramp D Cst & PC	19+11.16	N=874615.4639	E=550617.2275							
12802	Sarival Ave Ramp D Cst & PI	23+68.98	N=874728.2892	E=551060.9360	SIMPLE	Δ=13°40'11"	D=1°30'00"	R=3819.72	T=457.83	L=911.31	Ext=27.34
12803	Sarival Ave Ramp D Cst & PT	28+22.47	N=874733.0601	E=551518.7394							
	Estrella Pwky										
13000	Estrella Pwky Cst & PI	9+66.15	N=875885.648	E=554958.6401							
13001	Estrella Pwky Cst & PI	36+12.05	N=875885.648	E=554947.6724							
	Estrella Pkwy Ramp A										
13500	Estrella Pkwy Ramp A Cst & PC	10+00.00	N=874925.6260	E=553184.7620							
13501	Estrella Pkwy Ramp A Cst & PI	14+88.06	N=874928.7108	E=553672.8166	SIMPLE	Δ=12°09'21"	D=1°15'00"	R=4583.66	T=488.06	L=972.46	Ext=25.91
13502	Estrella Pkwy Ramp A Cst & PT	19+72.46	N=875034.4964	E=554149.2787							
13503	Estrella Pkwy Ramp A Cst & PC	22+35.24	N=875091.4526	E=554405.8112							
13504	Estrella Pkwy Ramp A Cst & PI	24+06.02	N=875128.4681	E=554572.5300	SIMPLE	Δ=12°45'20"	D=3°45'00"	R=1527.89	T=170.78	L=340.15	Ext=9.51
13505	Estrella Pkwy Ramp A Cst & PT	25+75.39	N=875127.7602	E=554743.3070							
13506	Estrella Pkwy Ramp A Cst & POE	27+87.58	N=875126.8806	E=554955.4949							

**CENTERLINE CONTROL POINT AND CURVE DATA TABLE**

All bearings and angles have been rounded to the nearest second.  
Use the control points provided and their respective state plane coordinates to re-establish the centerline of each roadway.

**SECTION 1  
SELECTED ALTERNATIVE**

DESIGN	BJK	DATE	06/19	ARIZONA DEPARTMENT OF TRANSPORTATION INTERMODAL TRANSPORTATION DIVISION ROADWAY DESIGN SERVICES	<b>LDCR</b> Review NOT FOR CONSTRUCTION OR RECORDING DWG NO C-02.01 OF
DRAWN	CADD	DATE	06/19		
CHECKED	BWB	DATE	06/19		
		HDR, INC. 3200 E. GAMBELBACK ROAD SUITE 300 PHOENIX, AZ 85018-2311 TEL (602) 922-7700		<b>GEOMETRIC DATA SHEET SECTION 1</b>	
ROUTE	SR 30	LOCATION	SR 30, SR 303L TO SR 202L		
TRACS NO.	H6876 OIL				

F.H.W.A. REGION	STATE	PROJECT NO.	SHEET NO.	TOTAL SHEETS	RECORD DRAWING
9	ARIZ.				


030 MA 000

PLAN REF NO.	LOCATION	P.I./P.O.T. STATION	COORDINATES		All Coordinates Are Ground Coordinates And All Bearings Are Grid Bearings							G.A.F. = 1.00016	
	Estrella Pkwy Ramp B												
13600	Estrella Pkwy Ramp B Cst & PC	10+00.00	N=874754.8811	E=553067.4388									
13601	Estrella Pkwy Ramp B Cst & PI	14+47.60	N=874757.7101	E=553515.0334	SIMPLE	Δ=11°09'17"	D=1°15'00"	R=4583.66	T=447.60	L=892.38	Ext=21.80		
13602	Estrella Pkwy Ramp B Cst & PT	18+92.38	N=874673.8945	E=553954.7194									
13603	Estrella Pkwy Ramp B Cst & PC	22+06.90	N=874614.9979	E=554263.6833									
13604	Estrella Pkwy Ramp B Cst & PI	23+99.36	N=874578.9599	E=554452.7342	SIMPLE	Δ=10°33'18"	D=2°45'00"	R=2083.48	T=192.46	L=383.82	Ext=8.87		
13605	Estrella Pkwy Ramp B Cst & PT	25+90.73	N=874578.1621	E=554645.1878									
13606	Estrella Pkwy Ramp B Cst & POE	28+98.76	N=874576.8853	E=554953.2150									
	Estrella Pkwy Ramp C												
13700	Estrella Pkwy Ramp C Cst & POB	10+00.00	N=875114.8807	E=554955.4451									
13701	Estrella Pkwy Ramp C Cst & PC	13+17.38	N=875113.5651	E=555272.8195									
13702	Estrella Pkwy Ramp C Cst & PI	14+73.90	N=875112.9163	E=555429.3402	SIMPLE	Δ=10°55'24"	D=3°30'00"	R=1637.02	T=156.52	L=312.10	Ext=7.47		
13703	Estrella Pkwy Ramp C Cst & PT	16+29.47	N=875082.6193	E=555582.9021									
13704	Estrella Pkwy Ramp C Cst & PC	18+77.01	N=875034.7056	E=555825.7552									
13705	Estrella Pkwy Ramp C Cst & PI	23+39.49	N=874945.1864	E=556279.4875	SIMPLE	Δ=11°31'23"	D=1°15'00"	R=4583.66	T=462.48	L=921.84	Ext=23.27		
13706	Estrella Pkwy Ramp C Cst & PT	27+98.84	N=874948.1095	E=556741.9571									
	Estrella Pkwy Ramp D												
13800	Estrella Pkwy Ramp D Cst & POB	10+00.00	N=874564.8854	E=554953.1653									
13801	Estrella Pkwy Ramp D Cst & PC	12+25.44	N=874563.9509	E=555178.6042									
13802	Estrella Pkwy Ramp D Cst & PI	14+06.42	N=874563.2007	E=555359.5862	SIMPLE	Δ=13°30'39"	D=3°45'00"	R=1527.89	T=180.98	L=360.29	Ext=10.68		
13803	Estrella Pkwy Ramp D Cst & PT	15+85.73	N=874604.7539	E=555535.7349									
13804	Estrella Pkwy Ramp D Cst & PC	18+58.77	N=874667.4435	E=555801.4836									
13805	Estrella Pkwy Ramp D Cst & PI	23+27.43	N=874775.0448	E=556257.6178	SIMPLE	Δ=12°54'40"	D=1°23'00"	R=4141.86	T=468.65	L=933.34	Ext=26.43		
13806	Estrella Pkwy Ramp D Cst & PT	27+92.11	N=874778.0069	E=556726.2622									

**CENTERLINE CONTROL POINT AND CURVE DATA TABLE**

All bearings and angles have been rounded to the nearest second.  
Use the control points provided and their respective state plane coordinates to re-establish the centerline of each roadway.

**SECTION 1  
SELECTED ALTERNATIVE**

DESIGN	BJK	DATE	06/19	ARIZONA DEPARTMENT OF TRANSPORTATION INTERMODAL TRANSPORTATION DIVISION ROADWAY DESIGN SERVICES	<b>LDCR</b> Review NOT FOR CONSTRUCTION OR RECORDING DWG NO C-02.02
DRAWN	CADD	DATE	06/19		
CHECKED	BWB	DATE	06/19		
		HDR, INC. 3200 E. GAMBELBACK ROAD SUITE 300 PHOENIX, AZ 85018-2311 TEL (602) 922-7700		<b>GEOMETRIC DATA SHEET SECTION 1</b>	
ROUTE	SR 30	LOCATION	SR 30, SR 303L TO SR 202L		
TRACS NO.	H6876 OIL				

F.H.W.A. REGION	STATE	PROJECT NO.	SHEET NO.	TOTAL SHEETS	RECORD DRAWING
9	ARIZ.				


030 MA 000

PLAN REF NO.	LOCATION	P.I./P.O.T. STATION	COORDINATES		All Coordinates Are Ground Coordinates And All Bearings Are Grid Bearings							G.A.F. = 1.00016	
	SR 30												
200SSH	SR 30 Cst & POB	1436+48.95	N=874868.3222	E=557566.9462									
201SSH	SR 30 Cst & PC	1458+41.63	N=874882.1808	E=559759.5788									
202SSH	SR 30 Cst & PI	1494+68.76	N=874905.1059	E=563386.6366	SIMPLE	Δ=50°47'45"	D=0°45'00"	R=7639.44	T=3627.13	L=6772.78	Ext=817.34		
203SSH	SR 30 Cst & PT	1526+14.40	N=872108.9952	E=565697.0129									
204SSH	SR 30 Cst & PC	1529+29.80	N=871865.8602	E=565897.9110									
205SSH	SR 30 Cst & PI	1544+71.62	N=870677.2861	E=566880.0086	SIMPLE	Δ=50°26'01"	D=1°45'00"	R=3274.05	T=1541.82	L=2881.93	Ext=344.88		
206SSH	SR 30 Cst & PT	1558+11.73	N=870677.2861	E=568421.8334									
207SSH	SR 30 Cst & PC	1642+77.78	N=870677.2861	E=576887.8857									
208SSH	SR 30 Cst & PI	1656+33.82	N=870677.2861	E=578243.9261	SIMPLE	Δ=26°37'51"	D=1°00'00"	R=5729.58	T=1356.04	L=2663.08	Ext=158.28		
209SSH	SR 30 Cst & PT	1669+40.86	N=871285.1169	E=579456.1089									
210SSH	SR 30 Cst & PC	1678+03.35	N=871671.7227	E=580227.1078									
211SSH	SR 30 Cst & PI	1692+02.93	N=872299.0670	E=581478.2057	SIMPLE	Δ=27°27'14"	D=1°00'00"	R=5729.58	T=1399.57	L=2745.39	Ext=168.46		
212SSH	SR 30 Cst & PT	1705+48.74	N=872278.9624	E=582877.6352									
213SSH	SR 30 Cst & PC	1772+02.62	N=872183.3808	E=589530.8265									
214SSH	SR 30 Cst & PI	1787+05.74	N=872161.7887	E=591033.7937	SIMPLE	Δ=36°18'42"	D=1°15'00"	R=4583.66	T=1503.12	L=2904.94	Ext=240.17		
215SSH	SR 30 Cst & PT	1801+07.56	N=873034.4152	E=592257.6809									
216SSH	SR 30 Cst & PC	1811+27.90	N=873626.7651	E=593088.4710									
217SSH	SR 30 Cst & PI	1829+90.97	N=874708.3598	E=594605.4429	SIMPLE	Δ=36°01'33"	D=1°00'00"	R=5729.58	T=1863.08	L=3602.57	Ext=295.30		
218SSH	SR 30 Cst & PT	1847+30.47	N=874690.8976	E=596468.4368									
300	SR 30 Cst & POT	1877+60.42 Bk	N=874662.4986	E=599498.2499									
	Bullard Ave												
20500SSH	Bullard Ave Cst & POB	9+91.04	N=875882.1010	E=560182.7101									
20501SSH	Bullard Ave Cst & POE	36+50.49	N=873222.6531	E=560182.3754									
	Bullard Ave Ramp A												
20500SSH	Bullard Ave Ramp A Cst & PC	10+00.00	N=874958.7761	E=558429.5688									
20501SSH	Bullard Ave Ramp A Cst & PI	15+13.52	N=874962.0197	E=558943.0810	SIMPLE	Δ=14°08'07"	D=1°23'00"	R=4141.86	T=513.52	L=1021.83	Ext=31.71		
20502SSH	Bullard Ave Ramp A Cst & PT	20+21.83	N=875090.5714	E=559440.2529									
20503SSH	Bullard Ave Ramp A Cst & PC	22+45.19	N=875146.4855	E=559656.4996									
20504SSH	Bullard Ave Ramp A Cst & PI	23+98.69	N=875184.9114	E=559805.1111	SIMPLE	Δ=14°30'16"	D=4°45'00"	R=1206.23	T=153.50	L=305.36	Ext=9.73		
20505SSH	Bullard Ave Ramp A Cst & PT	25+50.55	N=875184.8920	E=559958.6101									
20506SSH	Bullard Ave Ramp A Cst & POT	27+74.56	N=875184.8639	E=560182.6224									
	Bullard Ave Ramp B												
20600SSH	Bullard Ave Ramp B Cst & PC	10+00.00	N=874800.1597	E=558332.5464									
20601SSH	Bullard Ave Ramp B Cst & PI	15+41.97	N=874803.5852	E=558874.5027	SIMPLE	Δ=13°29'12"	D=1°15'00"	R=4583.66	T=541.97	L=1078.93	Ext=31.93		

**CENTERLINE CONTROL POINT AND CURVE DATA TABLE**

All bearings and angles have been rounded to the nearest second.  
Use the control points provided and their respective state plane coordinates to re-establish the centerline of each roadway.

**SECTION 2H  
SELECTED ALTERNATIVE**

DESIGN	BJK	DATE	06/19	ARIZONA DEPARTMENT OF TRANSPORTATION INTERMODAL TRANSPORTATION DIVISION ROADWAY DESIGN SERVICES	<b>LDCR</b> Review NOT FOR CONSTRUCTION OR RECORDING DWG NO C-02.03
DRAWN	CADD	DATE	06/19		
CHECKED	BWB	DATE	06/19		
		HDR, INC. 3200 E. GAMBELBACK ROAD SUITE 300 PHOENIX, AZ 85018-2311 TEL (602) 922-7700		<b>GEOMETRIC DATA SHEET SECTION 2H</b>	
ROUTE	SR 30	LOCATION	SR 30, SR 303L TO SR 202L		
TRACS NO.	H6876 OIL				



F.H.W.A. REGION	STATE	PROJECT NO.	SHEET NO.	TOTAL SHEETS	RECORD DRAWING
9	ARIZ.				


030 MA 000

PLAN REF NO.	LOCATION	P.I./P.O.T. STATION	COORDINATES		All Coordinates Are Ground Coordinates And All Bearings Are Grid Bearings							G.A.F. = 1.00016
20602SSH	Bullard Ave Ramp B Cst & PT	20+78.93	N=874680.5226	E=559402.3134								
20603SSH	Bullard Ave Ramp B Cst & PC	23+45.00	N=874620.1058	E=559661.4388								
20604SSH	Bullard Ave Ramp B Cst & PI	25+00.00	N=874584.9110	E=559812.3879	SIMPLE	Δ=13°07'02"	D=4°15'00"	R=1348.14	T=155.00	L=308.64	Ext=8.88	
20605SSH	Bullard Ave Ramp B Cst & PT	26+53.64	N=874584.8915	E=559967.3857								
20606SSH	Bullard Ave Ramp B Cst & POT	28+68.80	N=874584.8644	E=560182.5469								
	Bullard Ave Ramp C											
20700SSH	Bullard Ave Ramp C Cst & POB	10+00.00	N=875172.8644	E=560182.6208								
20701SSH	Bullard Ave Ramp C Cst & PC	12+38.93	N=875164.4957	E=560421.4072								
20702SSH	Bullard Ave Ramp C Cst & PI	14+37.31	N=875157.5474	E=560619.6642	SIMPLE	Δ=17°42'42"	D=4°30'00"	R=1273.24	T=198.38	L=393.59	Ext=15.36	
20703SSH	Bullard Ave Ramp C Cst & PT	16+32.53	N=875090.6133	E=560806.4099								
20704SSH	Bullard Ave Ramp C Cst & POT	33+42.48	N=874513.6662	E=562416.0879								
	Bullard Ave Ramp D											
20800SSH	Bullard Ave Ramp D Cst & POB	10+00.00	N=874572.8644	E=560182.5453								
20801SSH	Bullard Ave Ramp D Cst & PC	17+89.31	N=874600.3117	E=560971.3803								
20802SSH	Bullard Ave Ramp D Cst & PI	23+47.65	N=874619.7273	E=561529.3829	SIMPLE	Δ=19°21'21"	D=1°45'00"	R=3274.04	T=558.34	L=1106.04	Ext=47.27	
20803SSH	Bullard Ave Ramp D Cst & PT	28+95.35	N=874453.1057	E=562062.2816								
	Dysart Rd											
22500SSH	Dysart Rd Cst & PI	21+89.51	N=870487.7750	E=570750.4181								
22501SSH	Dysart Rd Cst & POE	48+30.07	N=867847.3031	E=570728.5584								
	Dysart Rd Ramp A											
22500SSH	Dysart Rd Ramp A Cst & PC	10+00.00	N=870762.2861	E=568849.2239								
22501SSH	Dysart Rd Ramp A Cst & PI	13+52.37	N=870762.2861	E=569201.5955	SIMPLE	Δ=5°52'04"	D=0°50'00"	R=6875.50	T=352.37	L=704.13	Ext=9.02	
22502SSH	Dysart Rd Ramp A Cst & PT	17+04.13	N=870798.3098	E=569552.1208								
22503SSH	Dysart Rd Ramp A Cst & PC	20+73.67	N=870836.0890	E=569919.7275								
22504SSH	Dysart Rd Ramp A Cst & PI	23+29.92	N=870862.2861	E=570174.6365	SIMPLE	Δ=5°52'04"	D=1°08'45"	R=5000.00	T=256.25	L=512.06	Ext=6.56	
22505SSH	Dysart Rd Ramp A Cst & PT	25+85.73	N=870862.2861	E=570430.8881								
22506SSH	Dysart Rd Ramp A Cst & POT	29+05.94	N=870862.2861	E=570751.1060								
	Dysart Rd Ramp B											
22600SSH	Dysart Rd Ramp B Cst & PC	10+00.00	N=870592.2861	E=568686.4644								
22601SSH	Dysart Rd Ramp B Cst & PI	13+23.77	N=870592.2861	E=569010.2394	SIMPLE	Δ=4°38'32"	D=0°43'02"	R=7988.00	T=323.77	L=647.20	Ext=6.56	
22602SSH	Dysart Rd Ramp B Cst & PT	16+47.20	N=870566.0822	E=569332.9522								
22603SSH	Dysart Rd Ramp B Cst & PC	21+05.05	N=870529.0271	E=569789.3035								
22604SSH	Dysart Rd Ramp B Cst & PI	23+69.00	N=870507.6651	E=570052.3864	SIMPLE	Δ=4°38'32"	D=0°52'47"	R=6512.00	T=263.95	L=527.61	Ext=5.35	

**CENTERLINE CONTROL POINT AND CURVE DATA TABLE**

All bearings and angles have been rounded to the nearest second.  
Use the control points provided and their respective state plane coordinates to re-establish the centerline of each roadway.

**SECTION 2H  
SELECTED ALTERNATIVE**

DESIGN	BJK	DATE	06/19	ARIZONA DEPARTMENT OF TRANSPORTATION INTERMODAL TRANSPORTATION DIVISION ROADWAY DESIGN SERVICES	<b>LDCR</b> Review NOT FOR CONSTRUCTION OR RECORDING DWG NO C-02.04
DRAWN	CADD	DATE	06/19		
CHECKED	BWB	DATE	06/19		
		HDR, INC. 3200 E. GAMBELBACK ROAD SUITE 300 PHOENIX, AZ 85018-2311 TEL (602) 922-7700		GEOMETRIC DATA SHEET SECTION 2H	
ROUTE	SR 30	LOCATION	SR 30, SR 303L TO SR 202L		
TRACS NO.	H6876 OIL				

F.H.W.A. REGION	STATE	PROJECT NO.	SHEET NO.	TOTAL SHEETS	RECORD DRAWING
9	ARIZ.				


030 MA 000

PLAN REF NO.	LOCATION	P.I./P.O.T. STATION	COORDINATES		All Coordinates Are Ground Coordinates And All Bearings Are Grid Bearings							G.A.F. = 1.00016	
22605SSH	Dysart Rd Ramp B Cst & PT	26+32.66	N=870507.6651	E=570316.3351									
22606SSH	Dysart Rd Ramp B Cst & POT	30+66.78	N=870507.6651	E=570750.4546									
	Dysart Rd Ramp C												
22700SSH	Dysart Rd Ramp C Cst & PC	15+00.00	N=870862.2861	E=571075.7377									
22701SSH	Dysart Rd Ramp C Cst & PI	16+39.68	N=870862.2861	E=571215.4207	SIMPLE	Δ=4°00'00"	D=1°25'57"	R=4000.00	T=139.68	L=279.25	Ext=2.44		
22702SSH	Dysart Rd Ramp C Cst & PT	17+79.25	N=870852.5423	E=571354.7636									
22703SSH	Dysart Rd Ramp C Cst & POE	32+45.16	N=870750.2861	E=572817.0954									
	Dysart Rd Ramp D												
22800SSH	Dysart Rd Ramp D Cst & POB	13+00.00	N=870483.6651	E=571013.5751									
22801SSH	Dysart Rd Ramp D Cst & PC	24+55.56	N=870564.2727	E=572166.3176									
22802SSH	Dysart Rd Ramp D Cst & PI	28+57.15	N=870592.2861	E=572566.9282	SIMPLE	Δ=4°00'00"	D=0°29'54"	R=11500.00	T=401.59	L=802.85	Ext=7.01		
22803SSH	Dysart Rd Ramp D Cst & PT	32+58.41	N=870592.2861	E=572968.5170									
	WB Southern Ave Frtg Rd Cst &												
23100SSH	WB Southern Ave Frtg Rd Cst & POB	10+00.00	N=870874.2861	E=570751.1281									
23101SSH	WB Southern Ave Frtg Rd Cst & PC	68+18.54	N=870874.2861	E=576569.6712									
23102SSH	WB Southern Ave Frtg Rd Cst & PI	70+98.16	N=870874.2861	E=576849.2866	SIMPLE	Δ=9°10'00"	D=1°38'34"	R=3488.00	T=279.62	L=558.04	Ext=11.15		
23103SSH	WB Southern Ave Frtg Rd Cst & PT	73+76.58	N=870918.8306	E=577125.3311									
23104SSH	WB Southern Ave Frtg Rd Cst & PC	77+99.91	N=870986.2700	E=577543.2568									
23105SSH	WB Southern Ave Frtg Rd Cst & PI	82+40.87	N=871056.5169	E=577978.5807	SIMPLE	Δ=39°59'07"	D=4°43'39"	R=1212.00	T=440.96	L=845.82	Ext=73.04		
23106SSH	WB Southern Ave Frtg Rd Cst & PT	86+45.74	N=870830.6058	E=578357.2701									
23107SSH	WB Southern Ave Frtg Rd Cst & PC	89+32.00	N=870683.9476	E=578603.1099									
23108SSH	WB Southern Ave Frtg Rd Cst & PI	93+34.10	N=870477.9425	E=578948.4314	SIMPLE	Δ=30°14'37"	D=3°51'02"	R=1488.00	T=402.10	L=785.44	Ext=51.52		
23109SSH	WB Southern Ave Frtg Rd Cst & PT	97+17.44	N=870473.9071	E=579350.5118									
23110SSH	WB Southern Ave Frtg Rd Cst & POT	115+88.59	N=870455.1287	E=581221.5664									
	EB Southern Ave Frtg Rd Cst &												
23200SSH	EB Southern Ave Frtg Rd Cst & POB	10+00.00	N=870483.6651	E=570750.3841									
23201SSH	EB Southern Ave Frtg Rd Cst & PI	62+44.87	N=870471.5798	E=575995.2375									
23202SSH	EB Southern Ave Frtg Rd Cst & POT	114+71.20	N=870419.1295	E=581221.3042									
	Avondale Blvd												
24000SSH	Avondale Blvd Cst & PI	10+22.38	N=873040.1082	E=581240.3944									
24001SSH	Avondale Blvd Cst & PI	36+44.95	N=870417.6020	E=581221.2931									
24002SSH	Avondale Blvd Cst & PC	48+66.72	N=869195.8335	E=581218.6134									
24003SSH	Avondale Blvd Cst & PI	52+85.07	N=868777.4853	E=581217.6959	SIMPLE	Δ=18°59'59"	D=2°17'31"	R=2500.00	T=418.35	L=829.02	Ext=34.76		

**CENTERLINE CONTROL POINT AND CURVE DATA TABLE**

All bearings and angles have been rounded to the nearest second.  
Use the control points provided and their respective state plane coordinates to re-establish the centerline of each roadway.

**SECTION 2H  
SELECTED ALTERNATIVE**

DESIGN	BJK	DATE	06/19	ARIZONA DEPARTMENT OF TRANSPORTATION INTERMODAL TRANSPORTATION DIVISION ROADWAY DESIGN SERVICES	<b>LDCR</b> Review NOT FOR CONSTRUCTION OR RECORDING DWG NO C-02.05
DRAWN	CADD	DATE	06/19		
CHECKED	BWB	DATE	06/19		
		HDR, INC. 3200 E. CAMELBACK ROAD SUITE 300 PHOENIX, AZ 85018-2311 TEL (602) 922-7700		<b>GEOMETRIC DATA SHEET SECTION 2H</b>	
ROUTE	SR 30	LOCATION	SR 30, SR 303L TO SR 202L		
TRACS NO.	H6876 OIL				

F.H.W.A. REGION	STATE	PROJECT NO.	SHEET NO.	TOTAL SHEETS	RECORD DRAWING
9	ARIZ.				


030 MA 000

PLAN REF NO.	LOCATION	P.I./P.O.T. STATION	COORDINATES		All Coordinates Are Ground Coordinates And All Bearings Are Grid Bearings							G.A.F. = 1.00016	
24004SSH	Avondale Blvd Cst & PT	56+95.74	N=868382.2273	E=581080.6298									
24005SSH	Avondale Blvd Cst & POE	84+45.01	N=865784.7093	E=580179.8720									
	Avondale Blvd Ramp A												
24500SSH	Avondale Blvd Ramp A Cst & PC	10+00.00	N=871480.1961	E=579655.5200									
24501SSH	Avondale Blvd Ramp A Cst & PI	13+15.73	N=871621.7209	E=579937.7596	SIMPLE	Δ=8°02'54"	D=1°16'36"	R=4488.00	T=315.73	L=630.43	Ext=11.09		
24502SSH	Avondale Blvd Ramp A Cst & PT	16+30.43	N=871801.3678	E=580197.4045									
24503SSH	Avondale Blvd Ramp A Cst & PC	18+94.09	N=871951.3797	E=580414.2177									
24504SSH	Avondale Blvd Ramp A Cst & PI	22+00.46	N=872125.6988	E=580666.1592	SIMPLE	Δ=20°25'55"	D=3°22'13"	R=1700.00	T=306.37	L=606.23	Ext=27.39		
24505SSH	Avondale Blvd Ramp A Cst & PT	25+00.32	N=872201.0994	E=580963.1043									
24506SSH	Avondale Blvd Ramp A Cst & POT	27+80.62	N=872270.0850	E=581234.7859									
	Avondale Blvd Ramp B												
24600SSH	Avondale Blvd Ramp B Cst & PC	10+00.00	N=871292.7991	E=579643.2218									
24601SSH	Avondale Blvd Ramp B Cst & PI	17+80.06	N=871619.5850	E=580351.5383	SIMPLE	Δ=10°22'21"	D=0°40'00"	R=8594.37	T=780.06	L=1555.87	Ext=35.33		
24602SSH	Avondale Blvd Ramp B Cst & PT	25+55.87	N=871813.5011	E=581107.1160									
24603SSH	Avondale Blvd Ramp B Cst & POT	26+84.48	N=871845.4734	E=581231.6932									
	Avondale Blvd Ramp C												
24700SSH	Avondale Blvd Ramp C Cst & POB	10+00.00	N=872257.6812	E=581234.6955									
24701SSH	Avondale Blvd Ramp C Cst & PC	12+96.05	N=872330.5430	E=581521.6421									
24702SSH	Avondale Blvd Ramp C Cst & PI	17+97.87	N=872454.0459	E=582008.0260	SIMPLE	Δ=18°55'05"	D=1°54'08"	R=3012.00	T=501.82	L=994.50	Ext=41.52		
24703SSH	Avondale Blvd Ramp C Cst & PT	22+90.56	N=872413.1855	E=582508.1786									
24704SSH	Avondale Blvd Ramp C Cst & PC	25+59.96	N=872391.2495	E=582776.6864									
24705SSH	Avondale Blvd Ramp C Cst & PI	29+44.84	N=872359.9105	E=583160.2922	SIMPLE	Δ=3°50'51"	D=0°30'00"	R=11459.16	T=384.88	L=769.48	Ext=6.46		
24706SSH	Avondale Blvd Ramp C Cst & PT	33+29.44	N=872354.3817	E=583545.1363									
	Avondale Blvd Ramp D												
24800SSH	Avondale Blvd Ramp D Cst & POB	10+00.00	N=871833.0613	E=581231.6028									
24801SSH	Avondale Blvd Ramp D Cst & PC	19+05.45	N=872058.1466	E=582108.6289									
24802SSH	Avondale Blvd Ramp D Cst & PI	24+64.89	N=872197.2167	E=582650.5038	SIMPLE	Δ=15°13'02"	D=1°22'05"	R=4188.00	T=559.44	L=1112.29	Ext=37.20		
24803SSH	Avondale Blvd Ramp D Cst & PT	30+17.74	N=872189.1805	E=583209.8823									
	107th Ave												
25000SSH	107th Ave Cst & PI	11+49.12	N=873078.6821	E=586415.6284									
25001SSH	107th Ave Cst & PI	37+44.68	N=870483.4960	E=586459.8791									
25002SSH	107th Ave Cst & POE	63+45.69	N=867882.7321	E=586495.4734									

**CENTERLINE CONTROL POINT AND CURVE DATA TABLE**

All bearings and angles have been rounded to the nearest second.  
Use the control points provided and their respective state plane coordinates to re-establish the centerline of each roadway.

**SECTION 2H  
SELECTED ALTERNATIVE**

DESIGN	BJK	DATE	06/19	ARIZONA DEPARTMENT OF TRANSPORTATION INTERMODAL TRANSPORTATION DIVISION ROADWAY DESIGN SERVICES	<b>LDCR</b> Review NOT FOR CONSTRUCTION OR RECORDING DWG NO C-02.06
DRAWN	CADD	DATE	06/19		
CHECKED	BWB	DATE	06/19		
		HDR, INC. 3200 E. GAMBELBACK ROAD SUITE 300 PHOENIX, AZ 85018-2311 TEL (602) 922-7700		GEOMETRIC DATA SHEET SECTION 2H	
ROUTE	SR 30	LOCATION	SR 30, SR 303L TO SR 202L		
TRACS NO.	H6876 OIL				

F.H.W.A. REGION	STATE	PROJECT NO.	SHEET NO.	TOTAL SHEETS	RECORD DRAWING
9	ARIZ.				


030 MA 000

PLAN REF NO.	LOCATION	P.I./P.O.T. STATION	COORDINATES		All Coordinates Are Ground Coordinates And All Bearings Are Grid Bearings							G.A.F. = 1.00016	
	107th Ave Ramp A												
25500SSH	107th Ave Ramp A Cst & PC	10+00.00	N=872339.9946	E=584546.5840									
25501SSH	107th Ave Ramp A Cst & PI	13+18.20	N=872335.4238	E=584864.7464	SIMPLE	Δ=6°21'27"	D=1°00'00"	R=5729.58	T=318.20	L=635.74	Ext=8.83		
25502SSH	107th Ave Ramp A Cst & PT	16+35.74	N=872366.1111	E=585181.4585									
25503SSH	107th Ave Ramp A Cst & PC	23+71.54	N=872437.0729	E=585913.8288									
25504SSH	107th Ave Ramp A Cst & PI	25+23.53	N=872451.7315	E=586065.1153	SIMPLE	Δ=4°33'27"	D=1°30'00"	R=3819.72	T=152.00	L=303.83	Ext=3.02		
25505SSH	107th Ave Ramp A Cst & PT	26+75.37	N=872454.3228	E=586217.0882									
25506SSH	107th Ave Ramp A Cst & POT	28+84.52	N=872457.8886	E=586426.2136									
	107th Ave Ramp B												
25600SSH	107th Ave Ramp B Cst & PC	10+00.00	N=872173.0881	E=584330.0346									
25601SSH	107th Ave Ramp B Cst & PI	14+24.31	N=872166.9930	E=584754.2968	SIMPLE	Δ=8°28'14"	D=1°00'00"	R=5729.58	T=424.31	L=847.07	Ext=15.69		
25602SSH	107th Ave Ramp B Cst & PT	18+47.07	N=872098.4694	E=585173.0331									
25603SSH	107th Ave Ramp B Cst & PC	24+14.63	N=872006.8103	E=585733.1461									
25604SSH	107th Ave Ramp B Cst & PI	26+43.48	N=871969.8522	E=585958.9905	SIMPLE	Δ=10°16'14"	D=2°15'00"	R=2546.48	T=228.85	L=456.47	Ext=10.26		
25605SSH	107th Ave Ramp B Cst & PT	28+71.10	N=871973.7538	E=586187.8056									
25606SSH	107th Ave Ramp B Cst & POT	31+17.73	N=871977.9584	E=586434.3969									
	107th Ave Ramp C												
25700SSH	107th Ave Ramp C Cst & POB	10+00.00	N=872445.8904	E=586426.4182									
25701SSH	107th Ave Ramp C Cst & PC	12+15.39	N=872449.5624	E=586641.7733									
25702SSH	107th Ave Ramp C Cst & PI	14+38.36	N=872453.3638	E=586864.7126	SIMPLE	Δ=7°47'31"	D=1°45'00"	R=3274.04	T=222.97	L=445.26	Ext=7.58		
25703SSH	107th Ave Ramp C Cst & PT	16+60.64	N=872426.9046	E=587086.1089									
25704SSH	107th Ave Ramp C Cst & PC	24+42.72	N=872334.0980	E=587862.6651									
25705SSH	107th Ave Ramp C Cst & PI	28+42.56	N=872286.6513	E=588259.6744	SIMPLE	Δ=5°59'31"	D=0°45'00"	R=7639.44	T=399.83	L=798.94	Ext=10.46		
25706SSH	107th Ave Ramp C Cst & PT	32+41.66	N=872280.9077	E=588659.4676									
	107th Ave Ramp D												
25800SSH	107th Ave Ramp D Cst & POB	10+00.00	N=871965.9602	E=586434.6015									
25801SSH	107th Ave Ramp D Cst & PC	13+36.09	N=871971.6899	E=586770.6391									
25802SSH	107th Ave Ramp D Cst & PI	15+36.14	N=871975.1006	E=586970.6628	SIMPLE	Δ=6°59'35"	D=1°45'00"	R=3274.04	T=200.05	L=399.61	Ext=6.11		
25803SSH	107th Ave Ramp D Cst & PT	17+35.70	N=872002.8388	E=587168.7831									
25804SSH	107th Ave Ramp D Cst & PC	21+42.02	N=872059.1773	E=587571.1806									
25805SSH	107th Ave Ramp D Cst & PI	25+82.54	N=872120.2573	E=588007.4444	SIMPLE	Δ=8°47'35"	D=1°00'00"	R=5729.58	T=440.52	L=879.31	Ext=16.91		
25806SSH	107th Ave Ramp D Cst & PT	30+21.33	N=872113.9294	E=588447.9179									

**CENTERLINE CONTROL POINT AND CURVE DATA TABLE**

All bearings and angles have been rounded to the nearest second.  
Use the control points provided and their respective state plane coordinates to re-establish the centerline of each roadway.

**SECTION 2H  
SELECTED ALTERNATIVE**

DESIGN	BJK	DATE	06/19	ARIZONA DEPARTMENT OF TRANSPORTATION INTERMODAL TRANSPORTATION DIVISION ROADWAY DESIGN SERVICES	<b>LDCR</b> Review NOT FOR CONSTRUCTION OR RECORDING DWG NO C-02.07
DRAWN	CADD	DATE	06/19		
CHECKED	BWB	DATE	06/19		
		HDR, INC. 3200 E. GAMBELBACK ROAD SUITE 300 PHOENIX, AZ 85018-2311 TEL (602) 922-7700		<b>GEOMETRIC DATA SHEET SECTION 2H</b>	
ROUTE	SR 30	LOCATION	SR 30, SR 303L TO SR 202L		
TRACS NO.	H6876 OIL				

F.H.W.A. REGION	STATE	PROJECT NO.	SHEET NO.	TOTAL SHEETS	RECORD DRAWING
9	ARIZ.				


030 MA 000

PLAN REF NO.	LOCATION	P.I./P.O.T. STATION	COORDINATES		All Coordinates Are Ground Coordinates And All Bearings Are Grid Bearings						G.A.F. = 1.00016	
	91st Ave											
27000SSH	91st Ave Cst & POB	1+75.41	N=876499.0631	E=596809.9276								
27001SSH	91st Ave Cst & PC	9+61.24	N=875713.3085	E=596820.9651								
27002SSH	91st Ave Cst & PI	12+11.33	N=875463.2494	E=596824.4776	SIMPLE	Δ=9°31'50"	1°54'35"	R=3000.00	T=250.08	L=499.01	Ext=10.41	
27003SSH	91st Ave Cst & PT	14+60.26	N=875217.2233	E=596869.3445								
27004SSH	91st Ave Cst & PC	22+10.71	N=874478.9438	E=597003.9817								
27005SSH	91st Ave Cst & PI	24+92.60	N=874201.6315	E=597054.5541	SIMPLE	Δ=10°44'09"	1°54'35"	R=3000.00	T=281.89	L=562.12	Ext=13.21	
27006SSH	91st Ave Cst & PT	27+72.83	N=873919.7525	E=597052.5838								
27007SSH	91st Ave Cst & POE	37+07.03	N=872985.5794	E=597046.0539								
	91st Ave Ramp A											
27500SSH	91st Ave Ramp A Cst & POB	10+00.00	N=874633.7182	E=595135.6465								
27501SSH	91st Ave Ramp A Cst & PC	18+79.15	N=874829.7133	E=595992.6718								
27502SSH	91st Ave Ramp A Cst & PI	21+98.10	N=874900.8190	E=596303.5946	SIMPLE	Δ=9°32'47"	D=1°30'00"	R=3819.72	T=318.95	L=636.42	Ext=13.29	
27503SSH	91st Ave Ramp A Cst & PT	25+15.57	N=874919.3748	E=596622.0041								
27504SSH	91st Ave Ramp A Cst & POT	28+14.57	N=874936.7696	E=596920.4898								
	91st Ave Ramp B											
27600SSH	91st Ave Ramp B Cst & PC	10+00.00	N=874353.6944	E=594745.5228								
27601SSH	91st Ave Ramp B Cst & PI	16+91.78	N=874558.2674	E=595406.3629	SIMPLE	Δ=23°51'41"	D=1°45'00"	R=3274.04	T=691.78	L=1363.51	Ext=72.29	
27602SSH	91st Ave Ramp B Cst & PT	23+63.51	N=874478.0288	E=596093.4739								
27603SSH	91st Ave Ramp B Cst & PC	27+15.95	N=874437.1488	E=596443.5429								
27604SSH	91st Ave Ramp B Cst & PI	28+99.40	N=874415.8714	E=596625.7490	SIMPLE	Δ=10°58'23"	D=3°00'00"	R=1909.86	T=183.44	L=365.77	Ext=8.79	
27605SSH	91st Ave Ramp B Cst & PT	30+81.72	N=874429.6652	E=596808.6740								
27606SSH	91st Ave Ramp B Cst & POT	32+83.61	N=874444.8463	E=597009.9968								
	91st Ave Ramp C											
27700SSH	91st Ave Ramp C Cst & POB	10+00.00	N=874924.9643	E=596922.6427								
27701SSH	91st Ave Ramp C Cst & PC	12+95.61	N=874942.1623	E=597217.7522								
27702SSH	91st Ave Ramp C Cst & PI	15+42.75	N=874956.5406	E=597464.4763	SIMPLE	Δ=14°44'48"	D=3°00'00"	R=1909.86	T=247.14	L=491.55	Ext=15.92	
27703SSH	91st Ave Ramp C Cst & PT	17+87.16	N=874907.6429	E=597706.7335								
27704SSH	91st Ave Ramp C Cst & PC	21+10.69	N=874843.6333	E=598023.8606								
27705SSH	91st Ave Ramp C Cst & PI	25+46.97	N=874757.3135	E=598451.5206	SIMPLE	Δ=10°52'28"	D=1°15'00"	R=4583.66	T=436.28	L=869.95	Ext=20.72	
27706SSH	91st Ave Ramp C Cst & PT	29+80.63	N=874753.2243	E=598887.7860								
	91st Ave Ramp D											
27800SSH	91st Ave Ramp D Cst & POB	10+00.00	N=874433.0130	E=597011.9897								
27801SSH	91st Ave Ramp D Cst & PC	13+00.86	N=874451.6938	E=597312.2693								

**CENTERLINE CONTROL POINT AND CURVE DATA TABLE**

All bearings and angles have been rounded to the nearest second.  
Use the control points provided and their respective state plane coordinates to re-establish the centerline of each roadway.

**SECTION 2H  
SELECTED ALTERNATIVE**

DESIGN	BJK	DATE	06/19	ARIZONA DEPARTMENT OF TRANSPORTATION INTERMODAL TRANSPORTATION DIVISION ROADWAY DESIGN SERVICES	<b>LDCR</b> Review NOT FOR CONSTRUCTION OR RECORDING DWG NO C-02.08
DRAWN	CADD	DATE	06/19		
CHECKED	BWB	DATE	06/19		
		HDR, INC. 3200 E. GAMBELBACK ROAD SUITE 300 PHOENIX, AZ 85018-2311 TEL (602) 922-7700		GEOMETRIC DATA SHEET SECTION 2H	
ROUTE	SR 30	LOCATION	SR 30, SR 303L TO SR 202L		
TRACS NO.	H6876 OIL				



F.H.W.A. REGION	STATE	PROJECT NO.	SHEET NO.	TOTAL SHEETS	RECORD DRAWING
9	ARIZ.				


030 MA 000

PLAN REF NO.	LOCATION	P.I./P.O.T. STATION	COORDINATES		All Coordinates Are Ground Coordinates And All Bearings Are Grid Bearings							G.A.F. = 1.00016	
	SR 30												
300	SR 30 Cst & E	1893+67.22	N=874662.4986	E=599498.2499									
300B-2	SR 30 Cst & E	1966+00.05	N=874594.7070	E=606730.7663									
	WB SR 30												
350	WB SR 30 Cst & E POB	21+11.26	N=874655.7043	E=606731.3380									
351	WB SR 30 Cst & E PC	29+84.83	N=874647.5165	E=607604.8745									
352	WB SR 30 Cst & E PI	31+22.88	N=874646.2227	E=607742.9097	SIMPLE	Δ=1°03'22"	D=0°22'57"	R=14976.00	T=138.04	L=276.07	Ext=0.64		
353	WB SR 30 Cst & E PT	32+60.91	N=874647.4735	E=607880.9452									
354	WB SR 30 Cst & E PC	43+94.87	N=874657.7488	E=609014.8552									
355	WB SR 30 Cst & E PI	45+33.35	N=874659.0037	E=609153.3332	SIMPLE	Δ=1°03'22"	D=0°22'53"	R=15024.00	T=138.48	L=276.96	Ext=0.64		
356	WB SR 30 Cst & E PT	46+71.83	N=874657.7057	E=609291.8107									
357	WB SR 30 Cst & E PC	53+85.57	N=874651.0159	E=610005.5219									
358	WB SR 30 Cst & E PI	55+46.32	N=874649.5093	E=610166.2647	SIMPLE	Δ=0°48'11"	D=0°14'59"	R=22938.00	T=160.75	L=321.49	Ext=0.56		
359	WB SR 30 Cst & E PCC	57+07.06	N=874650.2556	E=610327.0128									
360	WB SR 30 Cst & E PI	59+16.63	N=874651.2286	E=610536.5788	SIMPLE	Δ=0°10'56"	D=0°02'36"	R=131815.00	T=209.57	L=419.14	Ext=0.17		
361	WB SR 30 Cst & E PCC	61+26.20	N=874652.8680	E=610746.1408									
362	WB SR 30 Cst & E PI	66+71.24	N=874657.1316	E=611291.1702	SIMPLE	Δ=2°50'18"	D=0°15'38"	R=22000.00	T=545.05	L=1089.87	Ext=6.75		
363	WB SR 30 Cst & E PCC	72+16.07	N=874688.3795	E=611835.3199									
364	WB SR 30 Cst & E PI	72+44.17	N=874689.9903	E=611863.3709	SIMPLE	Δ=0°49'24"	D=1°27'54"	R=3911.00	T=28.10	L=56.19	Ext=0.10		
365	WB SR 30 Cst & E PT	72+72.26	N=874692.0040	E=611891.3958									
366	WB SR 30 Cst & E PI	75+89.54	N=874714.7427	E=612207.8545									
367-B	WB SR 30 Cst & E POE	98+28.55	N=874875.1713	E=614441.1114									
	EB SR 30												
301	EB SR 30 Cst & E POB	0+99.34	N=874533.7097	E=606730.1945									
302	EB SR 30 Cst & E PC	9+92.38	N=874525.3394	E=607623.1984									
303	EB SR 30 Cst & E PI	11+10.98	N=874524.2277	E=607741.7973	SIMPLE	Δ=0°54'27"	D=0°22'57"	R=14976.00	T=118.60	L=237.20	Ext=0.47		
304	EB SR 30 Cst & E PT	12+29.58	N=874521.2378	E=607860.3638									
305	EB SR 30 Cst & E PC	23+92.31	N=874491.9264	E=609022.7242									
306	EB SR 30 Cst & E PI	25+17.94	N=874488.7593	E=609148.3162	SIMPLE	Δ=0°57'35"	D=0°22'55"	R=15000.00	T=125.63	L=251.26	Ext=0.53		
307	EB SR 30 Cst & E PT	26+43.57	N=874487.6963	E=609273.9436									
308	EB SR 30 Cst & E PC	35+77.07	N=874479.7979	E=610207.4064									
309	EB SR 30 Cst & E PI	46+13.40	N=874471.0293	E=611243.7049	SIMPLE	Δ=4°35'39"	D=0°13'18"	R=25835.46	T=1036.34	L=2071.56	Ext=20.78		
310	EB SR 30 Cst & E PT	56+48.63	N=874545.2932	E=612277.3762									
311B	EB SR 30 Cst & E POE	78+36.66	N=874702.0875	E=614459.7798									

**CENTERLINE CONTROL POINT AND CURVE DATA TABLE**

All bearings and angles have been rounded to the nearest second.  
Use the control points provided and their respective state plane coordinates to re-establish the centerline of each roadway.

**SECTION 3B-2  
SELECTED ALTERNATIVE**

DESIGN	BJK	DATE	06/19	ARIZONA DEPARTMENT OF TRANSPORTATION INTERMODAL TRANSPORTATION DIVISION ROADWAY DESIGN SERVICES	<b>LDCR</b> Review NOT FOR CONSTRUCTION OR RECORDING DWG NO C-02.10
DRAWN	CADD	DATE	06/19		
CHECKED	BWB	DATE	06/19		
		HDR, INC. 3200 E. GAMBELBACK ROAD SUITE 300 PHOENIX, AZ 85018-2311 TEL (602) 922-7700		<b>GEOMETRIC DATA SHEET SECTION 3B-2</b>	
ROUTE	SR 30	LOCATION	SR 30, SR 303L TO SR 202L		
TRACS NO.	H6876 OIL				

F.H.W.A. REGION	STATE	PROJECT NO.	SHEET NO.	TOTAL SHEETS	RECORD DRAWING
9	ARIZ.				


030 MA 000

PLAN REF NO.	LOCATION	P.I./P.O.T. STATION	COORDINATES		All Coordinates Are Ground Coordinates And All Bearings Are Grid Bearings							G.A.F. = 1.00016	
30000B-2	83rd Ave Cst & POB	2+16.82	N=876418.6685	E=602388.6012									
30001B-2	83rd Ave Cst & POT	32+35.81	N=873399.7482	E=602366.7742									
	83rd Ave Ramp A												
30500B-2	83rd Ave Ramp A Cst & PC	10+00.00	N=874750.4536	E=600463.7000									
30501B-2	83rd Ave Ramp A Cst & PI	15+36.24	N=874745.4275	E=600999.9138	SIMPLE	Δ=14°45'14"	D=1°23'00"	R=4141.86	T=536.24	L=1066.54	Ext=34.57		
30502B-2	83rd Ave Ramp A Cst & PT	20+66.54	N=874877.1230	E=601519.7279									
30503B-2	83rd Ave Ramp A Cst & PC	23+06.08	N=874935.9518	E=601751.9307									
30504B-2	83rd Ave Ramp A Cst & PI	24+69.83	N=874976.1675	E=601910.6658	SIMPLE	Δ=14°39'25"	D=4°30'00"	R=1273.24	T=163.75	L=325.71	Ext=10.49		
30505B-2	83rd Ave Ramp A Cst & PT	26+31.79	N=874974.9092	E=602074.4112									
30506B-2	83rd Ave Ramp A Cst & POT	29+35.54	N=874972.5753	E=602378.1458									
	83rd Ave Ramp B												
30600B-2	83rd Ave Ramp B Cst & POB	10+00.00	N=874570.4271	E=600252.2924									
30601B-2	83rd Ave Ramp B Cst & PC	16+77.01	N=874516.8733	E=600927.1815									
30602B-2	83rd Ave Ramp B Cst & PI	19+51.02	N=874495.1983	E=601200.3317	SIMPLE	Δ=9°34'05"	D=1°45'00"	R=3274.04	T=274.01	L=546.74	Ext=11.45		
30603B-2	83rd Ave Ramp B Cst & PT	22+23.75	N=874428.4223	E=601466.0793									
30604B-2	83rd Ave Ramp B Cst & PC	24+70.58	N=874368.2706	E=601705.4641									
30605B-2	83rd Ave Ramp B Cst & PI	26+42.21	N=874326.4456	E=601871.9145	SIMPLE	Δ=13°39'53"	D=4°00'00"	R=1432.39	T=171.62	L=341.62	Ext=10.25		
30606B-2	83rd Ave Ramp B Cst & PT	28+12.20	N=874325.1270	E=602043.5342									
30607B-2	83rd Ave Ramp B Cst & POE	31+42.12	N=874322.5923	E=602373.4464									
	83rd Ave Ramp C												
30700B-2	83rd Ave Ramp C Cst & POB	10+00.00	N=874960.5756	E=602378.0591									
30701B-2	83rd Ave Ramp C Cst & PC	12+63.73	N=874958.5491	E=602641.7770									
30702B-2	83rd Ave Ramp C Cst & PI	15+40.21	N=874956.4247	E=602918.2518	SIMPLE	Δ=12°23'35"	D=2°15'00"	R=2546.48	T=276.48	L=550.81	Ext=14.97		
30703B-2	83rd Ave Ramp C Cst & PT	18+14.53	N=874895.0129	E=603187.8282									
30704B-2	83rd Ave Ramp C Cst & PC	21+75.77	N=874814.7769	E=603540.0363									
30705B-2	83rd Ave Ramp C Cst & PI	26+69.52	N=874705.1056	E=604021.4557	SIMPLE	Δ=12°17'47"	D=1°15'00"	R=4583.66	T=493.75	L=983.71	Ext=26.52		
30706B-2	83rd Ave Ramp C Cst & PT	31+59.48	N=874700.4777	E=604515.1873									
	83rd Ave Ramp D												
30800B-2	83rd Ave Ramp D Cst & POB	10+00.00	N=874310.5926	E=602373.3596									
30801B-2	83rd Ave Ramp D Cst & PC	12+29.85	N=874308.8262	E=602603.1987									
30802B-2	83rd Ave Ramp D Cst & PI	14+03.63	N=874307.4906	E=602776.9804	SIMPLE	Δ=12°07'11"	D=3°30'00"	R=1637.02	T=173.79	L=346.28	Ext=9.20		
30803B-2	83rd Ave Ramp D Cst & PT	15+76.12	N=874342.6710	E=602947.1692									
30804B-2	83rd Ave Ramp D Cst & PC	20+33.09	N=874435.1777	E=603394.6791									
30805B-2	83rd Ave Ramp D Cst & PI	24+76.33	N=874524.9039	E=603828.7386	SIMPLE	Δ=12°12'59"	D=1°23'00"	R=4141.86	T=443.24	L=883.11	Ext=23.65		

**CENTERLINE CONTROL POINT AND CURVE DATA TABLE**

All bearings and angles have been rounded to the nearest second.  
Use the control points provided and their respective state plane coordinates to re-establish the centerline of each roadway.

**SECTION 3B-2  
SELECTED ALTERNATIVE**

DESIGN	BJK	DATE	06/19	ARIZONA DEPARTMENT OF TRANSPORTATION INTERMODAL TRANSPORTATION DIVISION ROADWAY DESIGN SERVICES	<b>LDCR</b> Review NOT FOR CONSTRUCTION OR RECORDING DWG NO C-02.II
DRAWN	CADD	DATE	06/19		
CHECKED	BWB	DATE	06/19		
		HDR, INC. 3200 E. GAMBELBACK ROAD SUITE 300 PHOENIX, AZ 85018-2311 TEL (602) 922-7700		GEOMETRIC DATA SHEET SECTION 3B-2	
ROUTE	SR 30	LOCATION	SR 30, SR 303L TO SR 202L		
TRACS NO.	H6876 OIL				



F.H.W.A. REGION	STATE	PROJECT NO.	SHEET NO.	TOTAL SHEETS	RECORD DRAWING
9	ARIZ.				


030 MA 000

PLAN REF NO.	LOCATION	P.I./P.O.T. STATION	COORDINATES		All Coordinates Are Ground Coordinates And All Bearings Are Grid Bearings							G.A.F. = 1.00016
30805B-2	83rd Ave Ramp D Cst & PI	24+76.33	N=874524.9039	E=603828.7386	SIMPLE	Δ=12°12'59"	D=1°23'00"	R=4141.86	T=443.24	L=883.11	Ext=23.65	
30806B-2	83rd Ave Ramp D Cst & PT	29+16.21	N=874520.7496	E=604271.9554								
	75th Ave											
31000B-2	75th Ave Cst & POB	1+76.42	N=876412.7990	E=607109.4340								
31001B-2	75th Ave Cst & POE	31+99.13	N=873392.2411	E=607223.3954								
	67th Ave											
32000B-2	67th Ave Cst & POB	2+58.72	N=876382.3122	E=612398.5451								
32001B-2	67th Ave Cst & POE	28+40.14	N=873800.8926	E=612394.6219								
	67th Ave Ramp A											
32500B-2	67th Ramp A Cst & POB	-0+00.13	N=874721.9689	E=610265.0870								
32501B-2	67th Ramp A Cst & PC	0+98.77	N=874722.4281	E=610363.9865								
32502B-2	67th Ramp A Cst & PI	2+44.82	N=874723.1062	E=610510.0405	SIMPLE	Δ=4°47'44"	D=1°38'34"	R=3488.00	T=146.06	L=291.94	Ext=3.06	
32503B-2	67th Ramp A Cst & PT	3+90.71	N=874735.9922	E=610655.5265								
32504B-2	67th Ramp A Cst & PC	9+67.13	N=874786.8480	E=611229.7020								
32505B-2	67th Ramp A Cst & PI	10+98.78	N=874798.4632	E=611360.8401	SIMPLE	Δ=4°19'23"	D=1°38'34"	R=3488.00	T=131.65	L=263.18	Ext=2.48	
32506B-2	67th Ramp A Cst & PT	12+30.31	N=874819.9306	E=611490.7296								
32507B-2	67th Ramp A Cst & PC	13+93.74	N=874846.5794	E=611651.9693								
32508B-2	67th Ramp A Cst & PI	15+75.88	N=874876.2797	E=611831.6720	SIMPLE	Δ=3°28'18"	D=0°57'12"	R=6010.00	T=182.14	L=364.17	Ext=2.76	
32509B-2	67th Ramp A Cst & PT	17+57.91	N=874895.0433	E=612012.8435								
32510B-2	67th Ramp A Cst & POE	21+43.46	N=874934.7617	E=612396.3451								
	67th Ave Ramp B											
32600B-2	67th Ramp B Cst & POB	-0+00.27	N=874405.6356	E=610404.7275								
32601B-2	67th Ramp B Cst & PC	1+13.04	N=874405.7788	E=610518.0365								
32602B-2	67th Ramp B Cst & PI	2+40.05	N=874405.9392	E=610645.0447	SIMPLE	Δ=3°14'00"	D=1°16'24"	R=4500.00	T=127.01	L=253.92	Ext=1.79	
32603B-2	67th Ramp B Cst & PT	3+66.99	N=874398.9357	E=610771.8598								
32604B-2	67th Ramp B Cst & PC	9+78.66	N=874365.2070	E=611382.5998								
32605B-2	67th Ramp B Cst & PI	10+59.02	N=874360.7763	E=611462.8293	SIMPLE	Δ=4°34'26"	D=2°50'52"	R=2012.00	T=80.35	L=160.62	Ext=1.60	
32606B-2	67th Ramp B Cst & PT	11+39.28	N=874362.7576	E=611543.1566								
32607B-2	67th Ramp B Cst & POE	19+91.89	N=874383.7809	E=612395.5077								
	Ramp NW											
40100B-2	Ramp NW Cst & POB	-0+00.19	N=874771.4255	E=612159.5888								
40101B-2	Ramp NW Cst & PC	1+00.96	N=874778.6759	E=612260.4759								
40102B-2	Ramp NW Cst & PI	1+90.48	N=874785.0929	E=612349.7669	SIMPLE	Δ=2°56'25"	D=1°38'34"	R=3488.00	T=89.52	L=179.00	Ext=1.15	

**CENTERLINE CONTROL POINT AND CURVE DATA TABLE**

All bearings and angles have been rounded to the nearest second.  
Use the control points provided and their respective state plane coordinates to re-establish the centerline of each roadway.

**SECTION 3B-2  
SELECTED ALTERNATIVE**

DESIGN	BJK	DATE	06/19	ARIZONA DEPARTMENT OF TRANSPORTATION INTERMODAL TRANSPORTATION DIVISION ROADWAY DESIGN SERVICES	<b>LDCR</b> Review NOT FOR CONSTRUCTION OR RECORDING DWG NO C-02.12
DRAWN	CADD	DATE	06/19		
CHECKED	BWB	DATE	06/19		
		HDR, INC. 3200 E. GAMBELBACK ROAD SUITE 300 PHOENIX, AZ 85018-2311 TEL (602) 922-7700		<b>GEOMETRIC DATA SHEET SECTION 3B-2</b>	
ROUTE	LOCATION	SR 30, SR 303L TO SR 202L			
TRACS NO.	H6876 OIL				

F.H.W.A. REGION	STATE	PROJECT NO.	SHEET NO.	TOTAL SHEETS	RECORD DRAWING
9	ARIZ.				


030 MA 000

PLAN REF NO.	LOCATION	P.I./P.O.T. STATION	COORDINATES		All Coordinates Are Ground Coordinates And All Bearings Are Grid Bearings							G.A.F. = 1.00016
40103B-2	Ramp NW Cst & PT	2+79.96	N=874796.0818	E=612438.6111								
40104B-2	Ramp NW Cst & PC	21+12.14	N=875020.9847	E=614256.9286								
40105B-2	Ramp NW Cst & PI	21+73.56	N=875028.5243	E=614317.8857	SIMPLE	Δ=2°01'16"	D=1°38'44"	R=3482.00	T=61.42	L=122.83	Ext=0.54	
40106B-2	Ramp NW Cst & PT	22+34.97	N=875038.2091	E=614378.5390								
40107B-2	Ramp NW Cst & PC	28+41.15	N=875133.7900	E=614977.1364								
40108B-2	Ramp NW Cst & PI	44+88.11	N=875393.4796	E=616603.5015	SIMPLE	Δ=106°40'20"	D=4°40'24"	R=1226.00	T=1646.97	L=2282.54	Ext=827.19	
40109B-2	Ramp NW Cst & PT	51+23.69	N=873760.9799	E=616385.6792								
40110B-2	Ramp NW Cst & PC	64+88.21	N=872408.4468	E=616205.2125								
40111B-2	Ramp NW Cst & PI	70+01.58	N=871899.5854	E=616137.3157	SIMPLE	Δ=6°54'10"	D=0°40'23"	R=8512.00	T=513.37	L=1025.50	Ext=15.47	
40112B-2	Ramp NW Cst & PT	75+13.71	N=871386.2522	E=616131.0691								
40113B-2	Ramp NW Cst & POE	76+13.71	N=871286.2596	E=616129.8523								
	Ramp EN											
40300B-2	Ramp EN Cst & PC	-3+20.85	N=874482.8483	E=612065.4851								
40301B-2	Ramp EN Cst & PI	-1+90.99	N=874491.0736	E=612195.0829	SIMPLE	Δ=4°15'25"	D=1°38'23"	R=3494.00	T=129.86	L=259.60	Ext=2.41	
40302B-2	Ramp EN Cst & PT	-0+61.25	N=874489.6563	E=612324.9337								
40303B-2	Ramp EN Cst & PC	13+83.05	N=874473.8923	E=613769.1442								
40304B-2	Ramp EN Cst & PI	18+47.29	N=874468.8253	E=614233.3571	SIMPLE	Δ=21°53'44"	D=2°23'14"	R=2400.00	T=464.24	L=917.15	Ext=44.49	
40305B-2	Ramp EN Cst & PT	23+00.20	N=874291.0123	E=614662.1950								
40306B-2	Ramp EN Cst & PC	27+07.74	N=874134.9186	E=615038.6515								
40307B-2	Ramp EN Cst & PI	49+13.45	N=873290.0861	E=617076.1631	SIMPLE	Δ=125°49'47"	D=5°04'46"	R=1128.00	T=2205.72	L=2477.25	Ext=1349.41	
40308B-2	Ramp EN Cst & PT	51+84.99	N=875436.5656	E=616568.4022								
40309B-2	Ramp EN Cst & PC	61+24.77	N=876351.1110	E=616352.0618								
40310B-2	Ramp EN Cst & PI	66+14.65	N=876827.8364	E=616239.2899	SIMPLE	Δ=14°00'22"	D=1°26'12"	R=3988.00	T=489.88	L=974.88	Ext=29.98	
40311B-2	Ramp EN Cst & PT	70+99.65	N=877317.6824	E=616245.2508								
40312B-2	Ramp EN Cst & POE	72+00.60	N=877418.6230	E=616246.4791								
	Ramp ES											
40400B-2	Ramp ES Cst & PC	-0+01.11	N=874620.2500	E=613823.0644								
40401B-2	Ramp ES Cst & PI	2+39.94	N=874637.5234	E=614063.4901	SIMPLE	Δ=4°35'31"	D=0°57'11"	R=6012.00	T=241.05	L=481.83	Ext=4.83	
40402B-2	Ramp ES Cst & PT	4+80.73	N=874635.4929	E=614304.5269								
40403B-2	Ramp ES Cst & PC	9+19.70	N=874631.7952	E=614743.4880								
40404B-2	Ramp ES Cst & PI	19+62.83	N=874623.0084	E=615786.5773	SIMPLE	Δ=84°33'23"	D=4°59'39"	R=1147.26	T=1043.13	L=1693.11	Ext=403.33	
40405B-2	Ramp ES Cst & PT	26+12.81	N=873583.7898	E=615876.7834								
40406B-2	Ramp ES Cst & PC	30+76.23	N=873122.1033	E=615916.8586								
40407B-2	Ramp ES Cst & PI	33+73.33	N=872826.1233	E=615942.5502	SIMPLE	Δ=5°39'29"	D=0°57'11"	R=6012.00	T=297.09	L=593.70	Ext=7.34	
40408B-2	Ramp ES Cst & PT	36+69.94	N=872529.0523	E=615938.9352								

**CENTERLINE CONTROL POINT AND CURVE DATA TABLE**

All bearings and angles have been rounded to the nearest second.  
Use the control points provided and their respective state plane coordinates to re-establish the centerline of each roadway.

**SECTION 3B-2  
SELECTED ALTERNATIVE**

DESIGN	BJK	DATE	06/19	ARIZONA DEPARTMENT OF TRANSPORTATION INTERMODAL TRANSPORTATION DIVISION ROADWAY DESIGN SERVICES	<b>LDCR</b> Review NOT FOR CONSTRUCTION OR RECORDING DWG NO C-02.13
DRAWN	CADD	DATE	06/19		
CHECKED	BWB	DATE	06/19		
		HDR, INC. 3200 E. GAMBELBACK ROAD SUITE 300 PHOENIX, AZ 85018-2311 TEL (602) 922-7700		GEOMETRIC DATA SHEET SECTION 3B-2	
ROUTE	SR 30	LOCATION	SR 30, SR 303L TO SR 202L		
TRACS NO.	H6876 OIL				

F.H.W.A. REGION	STATE	PROJECT NO.	SHEET NO.	TOTAL SHEETS	RECORD DRAWING
9	ARIZ.				


030 MA 000

PLAN REF NO.	LOCATION	P.I./P.O.T. STATION	COORDINATES	All Coordinates Are Ground Coordinates And All Bearings Are Grid Bearings								G.A.F. = 1.00016	
	Ramp SW												
40600B-2	Ramp SW Cst & POB	-0+00.20	N=874879.9925 E=613838.2453										
40601B-2	Ramp SW Cst & PC	0+99.85	N=874887.1607 E=613938.0338										
40602B-2	Ramp SW Cst & PI	1+83.23	N=874893.1347 E=614021.1984	SIMPLE	Δ=2°44'19"	D=1°38'34"	R=3488.00	T=83.38	L=166.73	Ext=1.00			
40603B-2	Ramp SW Cst & PT	2+66.58	N=874903.0757 E=614103.9825										
40604B-2	Ramp SW Cst & PC	9+39.54	N=874983.3111 E=614772.1495										
40605B-2	Ramp SW Cst & PI	19+79.00	N=875107.2421 E=615804.1946	SIMPLE	Δ=77°53'47"	D=4°27'19"	R=1286.00	T=1039.46	L=1748.38	Ext=367.56			
40606B-2	Ramp SW Cst & PT	26+87.92	N=876142.3307 E=615899.4170										
40607B-2	Ramp SW Cst & PC	40+88.29	N=877536.8118 E=616027.7016										
40608B-2	Ramp SW Cst & PI	42+66.94	N=877714.7055 E=616044.0669	SIMPLE	Δ=4°33'32"	D=1°16'36"	R=4488.00	T=178.64	L=357.10	Ext=3.55			
40609B-2	Ramp SW Cst & PT	44+45.39	N=877893.3372 E=616046.2406										
40610B-2	Ramp SW Cst & POE	45+45.39	N=877993.3298 E=616047.4574										
	Dobbins Rd Ramp C												
53700B-2	Dobbins Rd Ramp C Cst & PC	0+00.00	N=860007.7077 E=615947.0241										
53701B-2	Dobbins Rd Ramp C Cst & PI	2+83.61	N=860286.1888 E=616000.7013	SIMPLE	Δ=8°29'33"	D=1°30'00"	R=3819.72	T=283.61	L=566.18	Ext=10.51			
53702B-2	Dobbins Rd Ramp C Cst & PCC	5+66.18	N=860553.6892 E=616094.9166										
53703B-2	Dobbins Rd Ramp C Cst & PI	7+70.40	N=860746.3126 E=616162.7599	SIMPLE	Δ=8°32'41"	D=2°05'45"	R=2733.74	T=204.22	L=407.69	Ext=7.62			
53704B-2	Dobbins Rd Ramp C Cst & PRC	9+73.86	N=860926.7180 E=616258.4699										
53705B-2	Dobbins Rd Ramp C Cst & PI	13+59.26	N=861267.1678 E=616439.0880	SIMPLE	Δ=12°36'37"	D=1°38'34"	R=3488.00	T=385.39	L=767.68	Ext=21.23			
53706B-2	Dobbins Rd Ramp C Cst & PCC	17+41.54	N=861638.8374 E=616541.0229										
53707B-2	Dobbins Rd Ramp C Cst & PI	18+66.94	N=861759.7783 E=616574.1924	SIMPLE	Δ=3°10'00"	D=1°15'46"	R=4537.00	T=125.41	L=250.75	Ext=1.73			
53708B-2	Dobbins Rd Ramp C Cst & PT	19+92.29	N=861882.3668 E=616600.6305										
	SB Southern Ave Access Rd												
53000B-2	SB Southern Ave Access Rd Cst & PC	-0+00.13	N=865221.2162 E=616657.5501										
53001B-2	SB Southern Ave Access Rd Cst & PI	2+82.39	N=865503.1359 E=616639.1682	SIMPLE	Δ=9°13'47"	D=1°38'13"	R=3500.00	T=282.52	L=563.81	Ext=11.38			
53002B-2	SB Southern Ave Access Rd Cst & PT	5+63.69	N=865778.4572 E=616575.8061										
53003B-2	SB Southern Ave Access Rd Cst & PC	8+52.05	N=866059.4769 E=616511.1325										
53004B-2	SB Southern Ave Access Rd Cst & PI	10+60.93	N=866263.0287 E=616464.2873	SIMPLE	Δ=7°56'02"	D=1°54'08"	R=3012.00	T=208.87	L=417.08	Ext=7.23			
53005B-2	SB Southern Ave Access Rd Cst & PT	12+69.13	N=866471.0981 E=616445.9868										
53006B-2	SB Southern Ave Access Rd Cst & PC	16+87.69	N=866888.0466 E=616409.3145										
53007B-2	SB Southern Ave Access Rd Cst & PI	17+77.81	N=866977.8239 E=616401.4182	SIMPLE	Δ=4°05'24"	D=2°16'12"	R=2524.00	T=90.12	L=180.17	Ext=1.61			
53008B-2	SB Southern Ave Access Rd Cst & PT	18+67.86	N=867066.8093 E=616387.1389										
53009B-2	SB Southern Ave Access Rd Cst & POE	52+21.84	N=870378.4279 E=615855.7304										
	NB Baseline Frontage												
54000B-2	NB Baseline Frontage Cst & POB	0+00.00	N=864978.2813 E=616824.9283										

**CENTERLINE CONTROL POINT AND CURVE DATA TABLE**

All bearings and angles have been rounded to the nearest second.  
Use the control points provided and their respective state plane coordinates to re-establish the centerline of each roadway.

**SECTION 3B-2  
SELECTED ALTERNATIVE**

DESIGN	BJK	DATE	06/19	ARIZONA DEPARTMENT OF TRANSPORTATION INTERMODAL TRANSPORTATION DIVISION ROADWAY DESIGN SERVICES	<b>LDCR</b> Review NOT FOR CONSTRUCTION OR RECORDING DWG NO C-02.14
DRAWN	CADD	DATE	06/19		
CHECKED	BWB	DATE	06/19		
		HDR, INC. 3200 E. GAMBELBACK ROAD SUITE 300 PHOENIX, AZ 85018-2311 TEL (602) 922-7700		GEOMETRIC DATA SHEET SECTION 3B-2	
ROUTE	SR 30	LOCATION	SR 30, SR 303L TO SR 202L		
TRACS NO.	H6876 OIL				

F.H.W.A. REGION	STATE	PROJECT NO.	SHEET NO.	TOTAL SHEETS	RECORD DRAWING
9	ARIZ.				


030 MA 000

PLAN REF NO.	LOCATION	P.I./P.O.T. STATION	COORDINATES		All Coordinates Are Ground Coordinates And All Bearings Are Grid Bearings							G.A.F. = 1.00016	
54001B-2	NB Baseline Frontage Cst & PC	9+57.34	N=865934.7302	E=616783.6423									
54002B-2	NB Baseline Frontage Cst & PI	13+15.20	N=866292.2575	E=616768.2093	SIMPLE	Δ=6°48'47"	D=0°57'11"	R=6012.00	T=357.86	L=714.88	Ext=10.64		
54003B-2	NB Baseline Frontage Cst & PT	16+72.22	N=866645.4294	E=616710.4724									
	Baseline Rd Ramp A												
54500B-2	Baseline Rd Ramp A Cst & POB	-0+00.12	N=863478.9207	E=616682.9913									
54501B-2	Baseline Rd Ramp A Cst & PC	0+99.88	N=863578.9129	E=616681.7483									
54502B-2	Baseline Rd Ramp A Cst & PI	2+90.35	N=863769.3739	E=616679.3806	SIMPLE	Δ=6°15'05"	D=1°38'34"	R=3488.00	T=190.48	L=380.57	Ext=5.20		
54503B-2	Baseline Rd Ramp A Cst & PT	4+80.45	N=863958.4444	E=616656.2871									
54504B-2	Baseline Rd Ramp A Cst & PC	12+87.05	N=864759.0972	E=616558.4936									
54505B-2	Baseline Rd Ramp A Cst & PI	13+57.06	N=864828.5928	E=616550.0052	SIMPLE	Δ=3°59'09"	D=2°50'52"	R=2012.00	T=70.01	L=139.97	Ext=1.22		
54506B-2	Baseline Rd Ramp A Cst & PRC	14+27.02	N=864898.5103	E=616546.3681									
54507B-2	Baseline Rd Ramp A Cst & PI	15+27.21	N=864998.5688	E=616541.1630	SIMPLE	Δ=0°58'02"	D=0°28'58"	R=11870.00	T=100.19	L=200.38	Ext=0.42		
54508B-2	Baseline Rd Ramp A Cst & PT	16+27.40	N=865098.5252	E=616534.2695									
	Broadway-Baseline Frontage												
56500B-2	Broadway-Baseline Frontage Cst & PC	-0+02.56	N=865098.5252	E=616534.2695									
56501B-2	Broadway-Baseline Frontage Cst & PI	0+88.06	N=865188.9372	E=616528.0343	SIMPLE	Δ=0°52'30"	D=0°28'58"	R=11870.00	T=90.63	L=181.25	Ext=0.35		
56502B-2	Broadway-Baseline Frontage Cst & PCC	1+78.69	N=865279.2435	E=616520.4193									
56503B-2	Broadway-Baseline Frontage Cst & PI	3+08.54	N=865408.6428	E=616509.5079	SIMPLE	Δ=7°28'29"	D=2°52'55"	R=1988.00	T=129.86	L=259.35	Ext=4.24		
56504B-2	Broadway-Baseline Frontage Cst & PT	4+38.03	N=865535.5232	E=616481.8559									
56505B-2	Broadway-Baseline Frontage Cst & PC	5+61.29	N=865655.9472	E=616455.6110									
56506B-2	Broadway-Baseline Frontage Cst & PI	7+72.07	N=865861.9004	E=616410.7261	SIMPLE	Δ=12°01'58"	D=2°51'53"	R=2000.00	T=210.79	L=420.02	Ext=11.08		
56507B-2	Broadway-Baseline Frontage Cst & PT	9+81.31	N=866072.6856	E=616409.7628									
56508B-2	Broadway-Baseline Frontage Cst & PC	15+87.01	N=866678.3842	E=616406.9947									
56509B-2	Broadway-Baseline Frontage Cst & PI	17+81.51	N=866872.8734	E=616406.1059	SIMPLE	Δ=8°51'16"	D=2°16'51"	R=2512.00	T=194.49	L=388.21	Ext=7.52		
56510B-2	Broadway-Baseline Frontage Cst & PT	19+75.22	N=867064.9080	E=616375.2905									
56511B-2	Broadway-Baseline Frontage Cst & PC	37+79.03	N=868845.9313	E=616089.4934									
56512B-2	Broadway-Baseline Frontage Cst & PI	39+31.60	N=868996.5703	E=616065.3207	SIMPLE	Δ=4°36'46"	D=1°30'45"	R=3788.00	T=152.57	L=304.97	Ext=3.07		
56513B-2	Broadway-Baseline Frontage Cst & PT	40+84.00	N=869144.7773	E=616029.1116									
56514B-2	Broadway-Baseline Frontage Cst & PC	47+71.68	N=869812.8124	E=615865.9011									
56515B-2	Broadway-Baseline Frontage Cst & PI	52+55.02	N=870282.3384	E=615751.1892	SIMPLE	Δ=15°25'14"	D=1°36'18"	R=3570.00	T=483.34	L=960.83	Ext=32.57		
56516B-2	Broadway-Baseline Frontage Cst & PT	57+32.51	N=870765.4636	E=615765.4550									
56517B-2	Broadway-Baseline Frontage Cst & PC	60+12.03	N=871044.8658	E=615773.7052									
56518B-2	Broadway-Baseline Frontage Cst & PI	63+58.51	N=871391.1857	E=615783.9314	SIMPLE	Δ=15°42'22"	D=2°16'51"	R=2512.00	T=346.47	L=688.60	Ext=23.78		
56519B-2	Broadway-Baseline Frontage Cst & PT	67+00.63	N=871727.3433	E=615700.0260									
56520B-2	Broadway-Baseline Frontage Cst & PC	68+49.17	N=871871.4573	E=615664.0549									
56521B-2	Broadway-Baseline Frontage Cst & PI	77+25.96	N=872722.1509	E=615451.7206	SIMPLE	Δ=19°47'57"	D=1°08'26"	R=5024.00	T=876.79	L=1736.10	Ext=75.94		

**CENTERLINE CONTROL POINT AND CURVE DATA TABLE**

All bearings and angles have been rounded to the nearest second.  
Use the control points provided and their respective state plane coordinates to re-establish the centerline of each roadway.

**SECTION 3B-2  
SELECTED ALTERNATIVE**

DESIGN	BJK	DATE	06/19	ARIZONA DEPARTMENT OF TRANSPORTATION INTERMODAL TRANSPORTATION DIVISION ROADWAY DESIGN SERVICES	<b>LDCR</b> Review NOT FOR CONSTRUCTION OR RECORDING DWG NO C-02.15 OF
DRAWN	CADD	DATE	06/19		
CHECKED	BWB	DATE	06/19		
		HDR, INC. 3200 E. GAMBELBACK ROAD SUITE 300 PHOENIX, AZ 85018-2311 TEL (602) 922-7700		GEOMETRIC DATA SHEET SECTION 3B-2	
ROUTE	SR 30	LOCATION	SR 30, SR 303L TO SR 202L		
TRACS NO.	H6876 OIL				

F.H.W.A. REGION	STATE	PROJECT NO.	SHEET NO.	TOTAL SHEETS	RECORD DRAWING
9	ARIZ.				


030 MA 000

PLAN REF NO.	LOCATION	P.I./P.O.T. STATION	COORDINATES		All Coordinates Are Ground Coordinates And All Bearings Are Grid Bearings								G.A.F. = 1.00016	
56522B-2	Broadway-Baseline Frontage Cst & PT	85+85.27	N=873594.4790	E=615540.0895										
56523B-2	Broadway-Baseline Frontage Cst & PC	91+45.89	N=874152.2492	E=615596.5929										
56524B-2	Broadway-Baseline Frontage Cst & PI	92+55.74	N=874261.5412	E=615607.6645	SIMPLE	Δ=1°15'23"	D=0°34'23"	R=10000.00	T=109.85	L=219.69	Ext=0.60			
56525B-2	Broadway-Baseline Frontage Cst & PT	93+65.59	N=874370.5636	E=615621.1342										
56526B-2	Broadway-Baseline Frontage Cst & POE	112+90.35	N=876280.7985	E=615857.1442										
	Baseline-Broadway Frontage													
56600B-2	Baseline-Broadway Frontage Cst & POB	-0+00.10	N=865100.4204	E=616935.6165										
56601B-2	Baseline-Broadway Frontage Cst & PC	2+76.74	N=865376.8065	E=616919.8814										
56602B-2	Baseline-Broadway Frontage Cst & PI	3+72.12	N=865472.0308	E=616914.4601	SIMPLE	Δ=6°01'34"	D=3°09'43"	R=1812.00	T=95.38	L=190.58	Ext=2.51			
56603B-2	Baseline-Broadway Frontage Cst & PT	4+67.32	N=865566.1598	E=616899.0718										
56604B-2	Baseline-Broadway Frontage Cst & PC	25+91.03	N=867662.0524	E=616556.4332										
56605B-2	Baseline-Broadway Frontage Cst & PI	26+51.28	N=867721.5067	E=616546.7136	SIMPLE	Δ=0°59'04"	D=0°49'02"	R=7012.00	T=60.24	L=120.48	Ext=0.26			
56606B-2	Baseline-Broadway Frontage Cst & PT	27+11.52	N=867781.1193	E=616538.0169										
56607B-2	Baseline-Broadway Frontage Cst & PC	34+94.45	N=868555.8542	E=616424.9932										
56608B-2	Baseline-Broadway Frontage Cst & PI	42+90.94	N=869343.9976	E=616310.0135	SIMPLE	Δ=6°16'50"	D=0°23'41"	R=14518.00	T=796.49	L=1591.38	Ext=21.83			
56609B-2	Baseline-Broadway Frontage Cst & PT	50+85.83	N=870139.9890	E=616281.9425										
56610B-2	Baseline-Broadway Frontage Cst & PC	64+15.98	N=871469.3161	E=616235.0632										
56611B-2	Baseline-Broadway Frontage Cst & PI	68+11.47	N=871864.5545	E=616221.1249	SIMPLE	Δ=12°53'37"	D=1°38'13"	R=3500.00	T=395.48	L=787.63	Ext=22.27			
56612B-2	Baseline-Broadway Frontage Cst & PT	72+03.61	N=872252.9376	E=616295.7323										
56613B-2	Baseline-Broadway Frontage Cst & PC	82+72.96	N=873303.0874	E=616497.4634										
56614B-2	Baseline-Broadway Frontage Cst & PI	85+58.29	N=873583.2948	E=616551.2906	SIMPLE	Δ=16°02'55"	D=2°49'51"	R=2024.00	T=285.33	L=566.93	Ext=20.01			
56615B-2	Baseline-Broadway Frontage Cst & PT	88+39.89	N=873867.4624	E=616525.5557										
56616B-2	Baseline-Broadway Frontage Cst & PC	90+98.42	N=874124.9394	E=616502.2380										
56617B-2	Baseline-Broadway Frontage Cst & PI	91+97.44	N=874223.5560	E=616493.3071	SIMPLE	Δ=5°07'35"	D=2°35'25"	R=2212.00	T=99.02	L=197.91	Ext=2.22			
56618B-2	Baseline-Broadway Frontage Cst & PT	92+96.33	N=874320.9802	E=616475.6004										
56619B-2	Baseline-Broadway Frontage Cst & PC	101+96.30	N=875206.4506	E=616314.6674										
56620B-2	Baseline-Broadway Frontage Cst & PI	103+35.77	N=875343.6679	E=616289.7284	SIMPLE	Δ=6°39'05"	D=2°23'14"	R=2400.00	T=139.47	L=278.62	Ext=4.05			
56621B-2	Baseline-Broadway Frontage Cst & PT	104+74.92	N=875482.8502	E=616280.8511										
56622B-2	Baseline-Broadway Frontage Cst & PC	106+36.54	N=875644.1419	E=616270.5636										
56623B-2	Baseline-Broadway Frontage Cst & PI	107+50.92	N=875758.2939	E=616263.2828	SIMPLE	Δ=3°45'00"	D=1°38'23"	R=3494.00	T=114.38	L=228.69	Ext=1.87			
56624B-2	Baseline-Broadway Frontage Cst & PT	108+65.22	N=875872.6776	E=616263.4835										
56625B-2	Baseline-Broadway Frontage Cst & POE	112+60.29	N=876267.7461	E=616264.1771										
	Broadway-Southern Ave													
55000B-2	Broadway-Southern Ave Cst & POB	0+00.00	N=870378.4488	E=615871.4192										
55001B-2	Broadway-Southern Ave Cst & PC	2+79.70	N=870657.9114	E=615859.9621										
55002B-2	Broadway-Southern Ave Cst & PI	3+36.64	N=870714.8071	E=615857.6295	SIMPLE	Δ=1°51'40"	D=1°38'03"	R=3506.00	T=56.94	L=113.88	Ext=0.46			

**CENTERLINE CONTROL POINT AND CURVE DATA TABLE**

All bearings and angles have been rounded to the nearest second.  
Use the control points provided and their respective state plane coordinates to re-establish the centerline of each roadway.

**SECTION 3B-2  
SELECTED ALTERNATIVE**

DESIGN	BJK	DATE	06/19	ARIZONA DEPARTMENT OF TRANSPORTATION INTERMODAL TRANSPORTATION DIVISION ROADWAY DESIGN SERVICES	<b>LDCR</b> Review NOT FOR CONSTRUCTION OR RECORDING DWG NO C-02.16
DRAWN	CADD	DATE	06/19		
CHECKED	BWB	DATE	06/19		
		HDR, INC. 3200 E. GAMBELBACK ROAD SUITE 300 PHOENIX, AZ 85018-2311 TEL (602) 922-7700		GEOMETRIC DATA SHEET SECTION 3B-2	
ROUTE	SR 30	LOCATION	SR 30, SR 303L TO SR 202L		
TRACS NO.	H6876 OIL				

F.H.W.A. REGION	STATE	PROJECT NO.	SHEET NO.	TOTAL SHEETS	RECORD DRAWING
9	ARIZ.				


030 MA 000

PLAN REF NO.	LOCATION	P.I./P.O.T. STATION	COORDINATES		All Coordinates Are Ground Coordinates And All Bearings Are Grid Bearings							G.A.F. = 1.00016	
55003B-2	Broadway-Southern Ave Cst & PT	3+93.57	N=870771.5970	E=615853.4505									
55004B-2	Broadway-Southern Ave Cst & PC	6+63.19	N=871040.4901	E=615833.6635									
55005B-2	Broadway-Southern Ave Cst & PI	6+97.61	N=871074.8166	E=615831.1375	SIMPLE	Δ=1°07'30"	D=1°38'03"	R=3506.00	T=34.42	L=68.84	Ext=0.17		
55006B-2	Broadway-Southern Ave Cst & PRC	7+32.03	N=871109.1862	E=615829.2859									
55007B-2	Broadway-Southern Ave Cst & PI	9+23.39	N=871300.2726	E=615818.9916	SIMPLE	Δ=10°55'52"	D=2°51'53"	R=2000.00	T=191.36	L=381.57	Ext=9.13		
55008B-2	Broadway-Southern Ave Cst & PT	11+13.60	N=871485.9399	E=615772.6487									
55009B-2	Broadway-Southern Ave Cst & POE	15+13.94	N=871874.3634	E=615675.6977									
	Southern-Baseline Frontage												
55800B-2	Southern-Baseline Frontage Cst & POB	-0+00.24	N=870378.9194	E=616223.8905									
55801B-2	Southern-Baseline Frontage Cst & PC	8+98.83	N=871277.4206	E=616192.1284									
55802B-2	Southern-Baseline Frontage Cst & PI	12+37.41	N=871615.7923	E=616180.1670	SIMPLE	Δ=11°05'20"	D=1°38'34"	R=3488.00	T=338.58	L=675.05	Ext=16.39		
55803B-2	Southern-Baseline Frontage Cst & PT	15+73.88	N=871950.1472	E=616233.5077									
55804B-2	Southern-Baseline Frontage Cst & POE	17+72.16	N=872145.9521	E=616264.7450									
	Baseline-Southern Ave												
56700B-2	Baseline-Southern Ave Cst & POB	-0+00.02	N=868416.3377	E=616433.2198									
56701B-2	Baseline-Southern Ave Cst & PC	12+96.05	N=869698.8335	E=616246.1205									
56702B-2	Baseline-Southern Ave Cst & PI	14+45.49	N=869846.7109	E=616224.5472	SIMPLE	Δ=6°56'30"	D=2°19'31"	R=2464.00	T=149.44	L=298.52	Ext=4.53		
56703B-2	Baseline-Southern Ave Cst & PT	15+94.57	N=869996.1117	E=616221.0038									
56704B-2	Baseline-Southern Ave Cst & POE	19+77.47	N=870378.9034	E=616211.9252									
	SB Frontage Ramp												
55500B-2	SB Frontage Ramp Cst & POB	-0+00.11	N=873593.2695	E=615552.0284									
55501B-2	SB Frontage Ramp Cst & PC	1+17.65	N=873710.4211	E=615563.8961									
55502B-2	SB Frontage Ramp Cst & PI	3+40.25	N=873931.8956	E=615586.3320	SIMPLE	Δ=9°08'24"	D=2°03'26"	R=2785.00	T=222.61	L=444.27	Ext=8.85		
55503B-2	SB Frontage Ramp Cst & PT	5+61.92	N=874146.9942	E=615643.6636									
55504B-2	SB Frontage Ramp Cst & PC	11+88.82	N=874752.7519	E=615805.1202									
55505B-2	SB Frontage Ramp Cst & PI	16+16.56	N=875166.0583	E=615915.2815	SIMPLE	Δ=9°46'03"	D=1°08'40"	R=5006.00	T=427.74	L=853.40	Ext=18.24		
55506B-2	SB Frontage Ramp Cst & PT	20+42.22	N=875592.0625	E=615953.7282									
55507B-2	SB Frontage Ramp Cst & PC	27+14.57	N=876261.6908	E=616014.1619									
55508B-2	SB Frontage Ramp Cst & PI	30+26.08	N=876571.9373	E=616042.1615	SIMPLE	Δ=4°27'35"	D=0°42'58"	R=8000.00	T=311.51	L=622.70	Ext=6.06		
55509B-2	SB Frontage Ramp Cst & PT	33+37.27	N=876883.4217	E=616045.9520									
	NB Frontage Ramp												
56000B-2	NB Frontage Ramp Cst & POB	-0+00.01	N=873687.5974	E=616521.8032									
56001B-2	NB Frontage Ramp Cst & PI	3+02.51	N=873990.1121	E=616521.3993	SIMPLE	Δ=17°06'05"	D=2°50'52"	R=2012.00	T=302.52	L=600.53	Ext=22.62		
56002B-2	NB Frontage Ramp Cst & PT	6+00.52	N=874279.1328	E=616432.0550									

**CENTERLINE CONTROL POINT AND CURVE DATA TABLE**

All bearings and angles have been rounded to the nearest second. Use the control points provided and their respective state plane coordinates to re-establish the centerline of each roadway.

**SECTION 3B-2  
SELECTED ALTERNATIVE**

DESIGN	BJK	DATE	06/19	ARIZONA DEPARTMENT OF TRANSPORTATION INTERMODAL TRANSPORTATION DIVISION ROADWAY DESIGN SERVICES	<b>LDCR</b> Review NOT FOR CONSTRUCTION OR RECORDING DWG NO C-02.17
DRAWN	CADD	DATE	06/19		
CHECKED	BWB	DATE	06/19		
		HDR, INC. 3200 E. GAMBELBACK ROAD SUITE 300 PHOENIX, AZ 85018-2311 TEL (602) 922-7700		GEOMETRIC DATA SHEET SECTION 3B-2	
ROUTE	SR 30	LOCATION	SR 30, SR 303L TO SR 202L		
TRACS NO.	H6876 OIL				

F.H.W.A. REGION	STATE	PROJECT NO.	SHEET NO.	TOTAL SHEETS	RECORD DRAWING
9	ARIZ.				


030 MA 000

PLAN REF NO.	LOCATION	P.I./P.O.T. STATION	COORDINATES		All Coordinates Are Ground Coordinates And All Bearings Are Grid Bearings							G.A.F. = 1.00016	
56003B-2	NB Frontage Ramp Cst & PC	10+27.87	N=874687.4166	E=616305.8430									
56004B-2	NB Frontage Ramp Cst & PI	15+04.18	N=875142.4808	E=616165.1700	SIMPLE	Δ=21°40'32"	D=2°18'10"	R=2488.00	T=476.31	L=941.23	Ext=45.18		
56005B-2	NB Frontage Ramp Cst & PT	19+69.10	N=875617.3252	E=616202.5218									
56006B-2	NB Frontage Ramp Cst & PC	19+84.05	N=875632.2287	E=616203.6941									
56007B-2	NB Frontage Ramp Cst & PI	21+47.26	N=875794.9326	E=616216.4926	SIMPLE	Δ=1°57'03"	D=0°35'52"	R=9585.30	T=163.21	L=326.38	Ext=1.39		
56008B-2	NB Frontage Ramp Cst & PT	23+10.43	N=875957.9779	E=616223.7446									
	Broadway-Lower Buckeye Frontage Rd												
57100B-2	Broadway-Lower Buckeye Rd Cst & POB	-0+00.63	N=876267.5828	E=616269.2697									
57101B-2	Broadway-Lower Buckeye Rd Cst & PC	2+53.04	N=876520.8682	E=616255.3421									
57102B-2	Broadway-Lower Buckeye Rd Cst & PI	3+42.30	N=876609.9951	E=616250.4412	SIMPLE	Δ=31°21'31"	D=18°01'03"	R=318.00	T=89.26	L=174.04	Ext=12.29		
57103B-2	Broadway-Lower Buckeye Rd Cst & PT	4+27.08	N=876688.6534	E=616292.6371									
57104B-2	Broadway-Lower Buckeye Rd Cst & PC	4+62.45	N=876719.8208	E=616309.3567									
57105B-2	Broadway-Lower Buckeye Rd Cst & PI	5+57.16	N=876803.2765	E=616354.1261	SIMPLE	Δ=33°10'08"	D=18°01'03"	R=318.00	T=94.71	L=184.09	Ext=13.80		
57106B-2	Broadway-Lower Buckeye Rd Cst & PT	6+46.55	N=876897.6279	E=616345.9416									
57107B-2	Broadway-Lower Buckeye Rd Cst & PC	9+32.40	N=877182.4128	E=616321.2380									
57108B-2	Broadway-Lower Buckeye Rd Cst & PI	10+00.30	N=877250.0561	E=616315.3703	SIMPLE	Δ=5°08'32"	D=3°47'22"	R=1512.00	T=67.90	L=135.70	Ext=1.52		
57109B-2	Broadway-Lower Buckeye Rd Cst & PT	10+68.10	N=877317.9531	E=616315.5891									
57110B-2	Broadway-Lower Buckeye Rd Cst & PC	26+27.73	N=878877.5688	E=616320.6155									
57111B-2	Broadway-Lower Buckeye Rd Cst & PI	35+51.60	N=879801.4327	E=616323.5930	SIMPLE	Δ=23°56'18"	D=1°18'53"	R=4358.00	T=923.87	L=1820.78	Ext=96.85		
57112B-2	Broadway-Lower Buckeye Rd Cst & PT	44+48.51	N=880644.6206	E=616701.1744									
57113B-2	Broadway-Lower Buckeye Rd Cst & PC	48+32.48	N=880995.0581	E=616858.1011									
57114B-2	Broadway-Lower Buckeye Rd Cst & PI	50+25.00	N=881170.7719	E=616936.7861	SIMPLE	Δ=9°13'07"	D=2°23'58"	R=2388.00	T=192.53	L=384.22	Ext=7.75		
57115B-2	Broadway-Lower Buckeye Rd Cst & PT	52+16.70	N=881356.8219	E=616986.3048									
57116B-2	Broadway-Lower Buckeye Rd Cst & POE	53+92.53	N=881526.7353	E=617031.5285									
	Lower Buckeye-Broadway Frontage Rd												
57200B-2	Lower Buckeye-Broadway Rd Cst & POB	-0+00.44	N=876280.3587	E=615870.8600									
57201B-2	Lower Buckeye-Broadway Rd Cst & PC	1+76.22	N=876456.2809	E=615886.9559									
57202B-2	Lower Buckeye-Broadway Rd Cst & PI	4+36.99	N=876715.9651	E=615910.7156	SIMPLE	Δ=0°08'57"	D=0°01'43"	R=200460.00	T=260.77	L=521.54	Ext=0.17		
57203B-2	Lower Buckeye-Broadway Rd Cst & PT	6+97.76	N=876975.7103	E=615933.7997									
57204B-2	Lower Buckeye-Broadway Rd Cst & PC	10+84.09	N=877360.5219	E=615967.9986									
57205B-2	Lower Buckeye-Broadway Rd Cst & PI	11+97.66	N=877473.6515	E=615978.0526	SIMPLE	Δ=3°15'10"	D=1°25'57"	R=4000.00	T=113.58	L=227.09	Ext=1.61		
57206B-2	Lower Buckeye-Broadway Rd Cst & PT	13+11.17	N=877587.1693	E=615981.6713									
57207B-2	Lower Buckeye-Broadway Rd Cst & PC	30+34.34	N=879309.4573	E=616036.5731									
57208B-2	Lower Buckeye-Broadway Rd Cst & PI	37+18.23	N=879993.0059	E=616058.3627	SIMPLE	Δ=14°52'59"	D=1°05'39"	R=5236.00	T=683.90	L=1360.09	Ext=44.47		
57209B-2	Lower Buckeye-Broadway Rd Cst & PT	43+94.43	N=880648.0264	E=616254.9885									
57210B-2	Lower Buckeye-Broadway Rd Cst & PI	48+00.16	N=881036.6226	E=616371.6383									

**CENTERLINE CONTROL POINT AND CURVE DATA TABLE**

All bearings and angles have been rounded to the nearest second.  
Use the control points provided and their respective state plane coordinates to re-establish the centerline of each roadway.

**SECTION 3B-2  
SELECTED ALTERNATIVE**

DESIGN	BJK	DATE	06/19	ARIZONA DEPARTMENT OF TRANSPORTATION INTERMODAL TRANSPORTATION DIVISION ROADWAY DESIGN SERVICES	<b>LDCR</b> Review NOT FOR CONSTRUCTION OR RECORDING DWG NO C-02.18
DRAWN	CADD	DATE	06/19		
CHECKED	BWB	DATE	06/19		
		HDR, INC. 3200 E. GAMBELBACK ROAD SUITE 300 PHOENIX, AZ 85018-2311 TEL (602) 922-7700		GEOMETRIC DATA SHEET SECTION 3B-2	
ROUTE	SR 30	LOCATION	SR 30, SR 303L TO SR 202L		
TRACS NO.	H6876 OIL				

F.H.W.A. REGION	STATE	PROJECT NO.	SHEET NO.	TOTAL SHEETS	RECORD DRAWING
9	ARIZ.				


030 MA 000

PLAN REF NO.	LOCATION	P.I./P.O.T. STATION	COORDINATES		All Coordinates Are Ground Coordinates And All Bearings Are Grid Bearings							G.A.F. = 1.00016	
57211B-2	Lower Buckeye-Broadway Rd Cst & POE	53+23.23	N=881538.6032	E=616518.6715									
	Lower Buckeye Ramp D												
57800B-2	Lower Buckeye Ramp D Cst & POB	0+00.00	N=881526.4497	E=617043.8703									
57801B-2	Lower Buckeye Ramp D Cst & PC	11+71.65	N=882658.6831	E=617345.2230									
57802B-2	Lower Buckeye Ramp D Cst & PI	12+76.69	N=882760.1897	E=617372.2398	SIMPLE	Δ=3°01'03"	D=1°26'12"	R=3988.00	T=105.04	L=210.03	Ext=1.38		
57803B-2	Lower Buckeye Ramp D Cst & PRC	13+81.68	N=882860.1333	E=617404.5626									
57804B-2	Lower Buckeye Ramp D Cst & PI	15+04.60	N=882977.0849	E=617442.3859	SIMPLE	Δ=3°01'03"	D=1°13'40"	R=4666.66	T=122.92	L=245.77	Ext=1.62		
57805B-2	Lower Buckeye Ramp D Cst & PT	16+27.46	N=883095.8654	E=617474.0003									
	Buckeye Rd Ramp B												
59500B-2	Buckeye Rd Ramp B Cst & POB	0+00.00	N=884345.1553	E=617631.2576									
59501B-2	Buckeye Rd Ramp B Cst & PC	3+63.06	N=884708.2118	E=617632.8402									
59502B-2	Buckeye Rd Ramp B Cst & PI	6+49.12	N=884994.2737	E=617634.0872	SIMPLE	Δ=8°11'36"	D=1°26'04"	R=3994.00	T=286.06	L=571.15	Ext=10.23		
59503B-2	Buckeye Rd Ramp B Cst & PT	9+34.21	N=885277.2379	E=617676.0900									
59504B-2	Buckeye Rd Ramp B Cst & PC	10+78.92	N=885420.3804	E=617697.3378									
59505B-2	Buckeye Rd Ramp B Cst & PI	15+06.54	N=885843.3571	E=617760.1237	SIMPLE	Δ=8°31'15"	D=0°59'53"	R=5740.00	T=427.61	L=853.65	Ext=15.91		
59506B-2	Buckeye Rd Ramp B Cst & PT	19+32.57	N=886270.9679	E=617759.5437									
59507B-2	Buckeye Rd Ramp B Cst & POE	24+63.32	N=886801.7131	E=617758.8237									

**CENTERLINE CONTROL POINT AND CURVE DATA TABLE**

All bearings and angles have been rounded to the nearest second.  
Use the control points provided and their respective state plane coordinates to re-establish the centerline of each roadway.

**SECTION 3B-2  
SELECTED ALTERNATIVE**

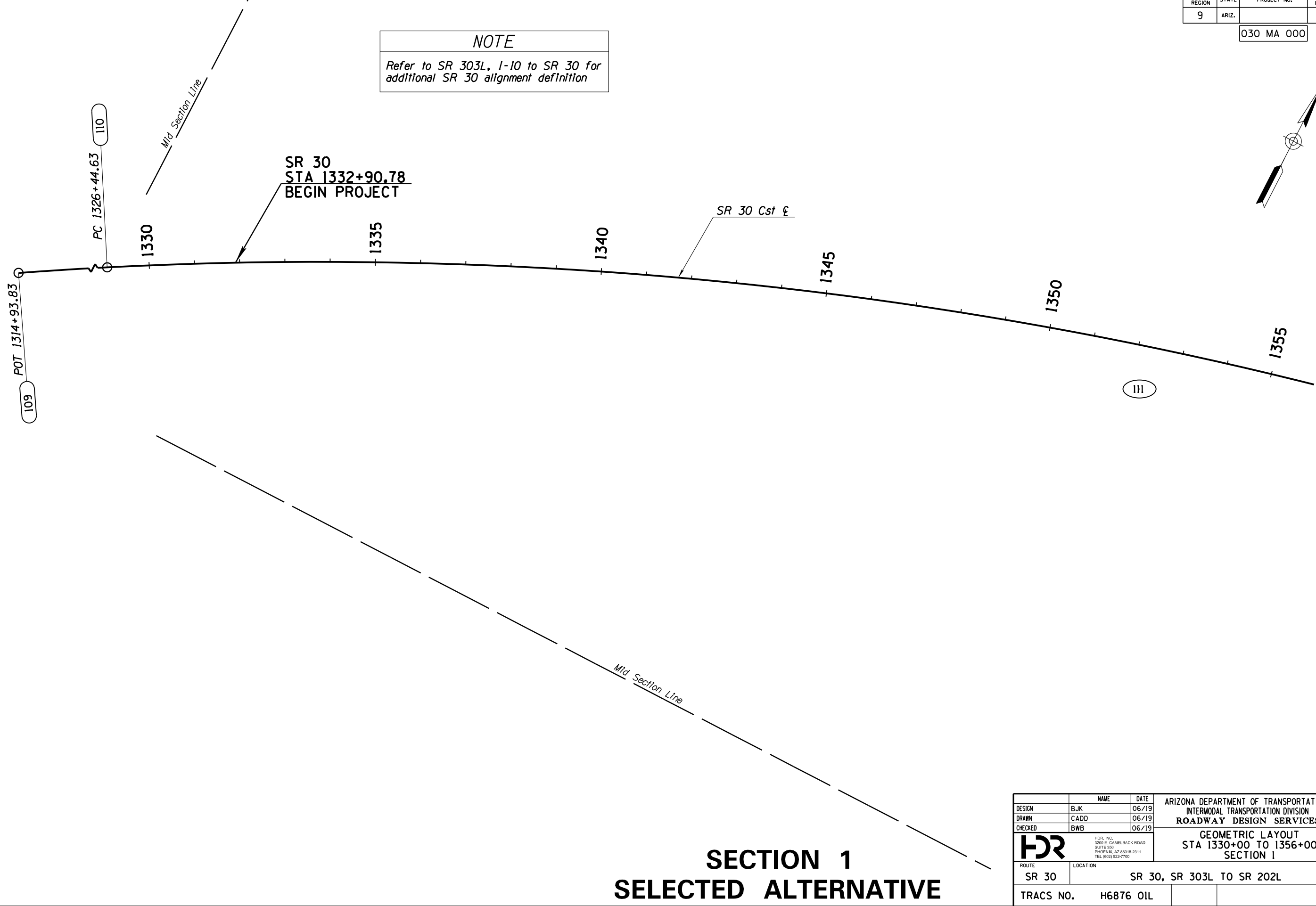
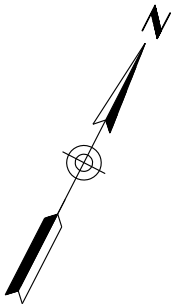
DESIGN	BJK	DATE	06/19	ARIZONA DEPARTMENT OF TRANSPORTATION INTERMODAL TRANSPORTATION DIVISION ROADWAY DESIGN SERVICES	<b>LDCR</b> Review NOT FOR CONSTRUCTION OR RECORDING DWG NO C-02.19
DRAWN	CADD	DATE	06/19		
CHECKED	BWB	DATE	06/19		
		HDR, INC. 3200 E. GAMBELBACK ROAD SUITE 300 PHOENIX, AZ 85018-2311 TEL (602) 922-7700		GEOMETRIC DATA SHEET SECTION 3B-2	
ROUTE	SR 30	LOCATION	SR 30, SR 303L TO SR 202L		
TRACS NO.	H6876 OIL				



F.H.W.A. REGION	STATE	PROJECT NO.	SHEET NO.	TOTAL SHEETS	RECORD DRAWING
9	ARIZ.				

030 MA 000


**NOTE**  
Refer to SR 303L, I-10 to SR 30 for additional SR 30 alignment definition



SURVEY NO. FINISHED PLANS LOCATION DATE REVISIONS LOCATION DATE FINISHED PLANS SURVEY NO.

**SECTION 1  
SELECTED ALTERNATIVE**

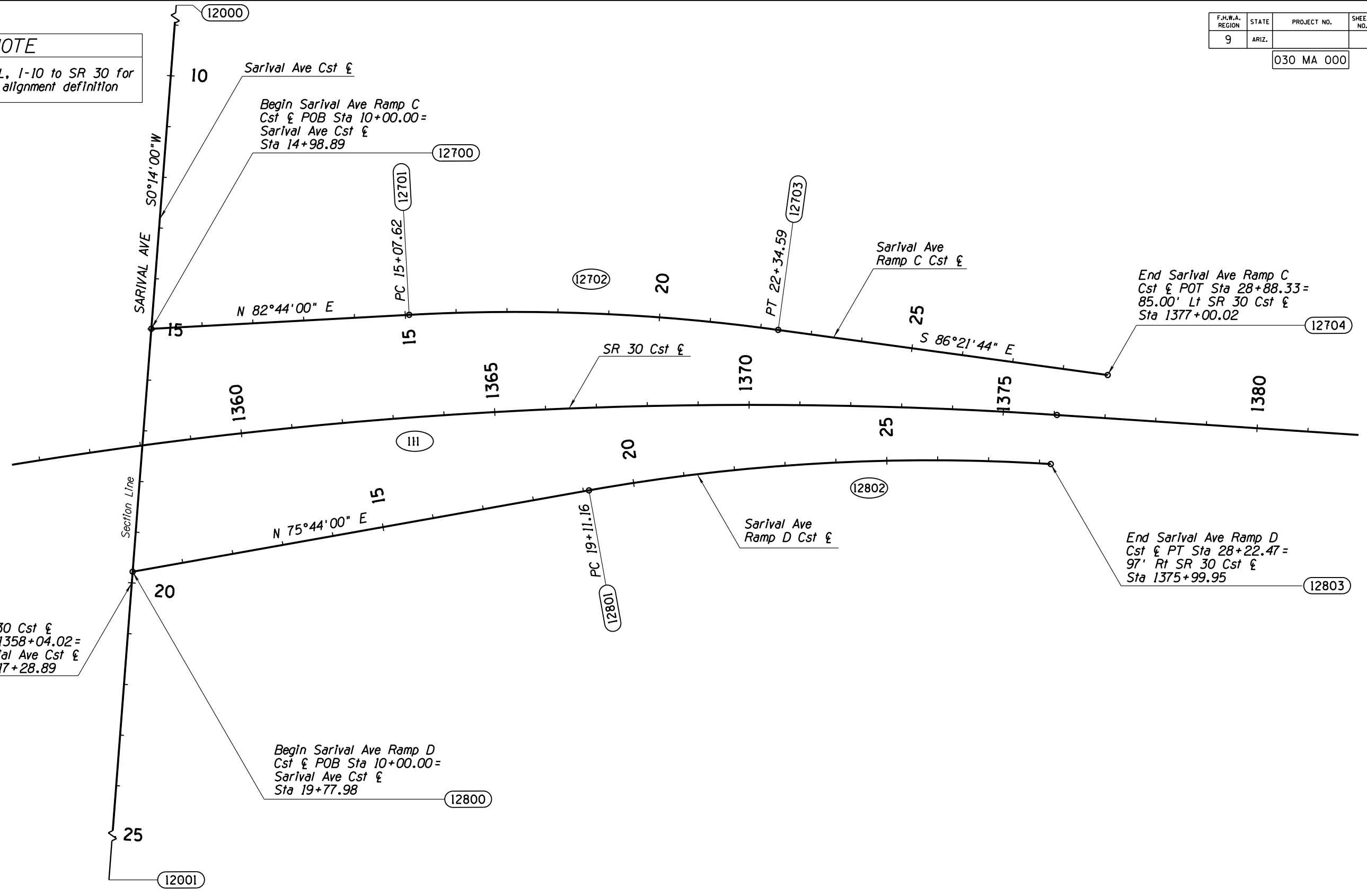
Call BLUE STAKE CENTER two working days before you dig.  
602-263-1100  
Within Maricopa County OR  
1-800-STAKE-IT  
(782-5348)

DESIGN	NAME	DATE	ARIZONA DEPARTMENT OF TRANSPORTATION INTERMODAL TRANSPORTATION DIVISION ROADWAY DESIGN SERVICES	<b>LDCR</b> Review NOT FOR CONSTRUCTION OR RECORDING
DRAWN	BJK	06/19		
CHECKED	CADD	06/19		
CHECKED	BWB	06/19	<b>GEOMETRIC LAYOUT</b> STA 1330+00 TO 1356+00 SECTION 1	DWG NO C-02.20
 <small>HDR, INC. 3200 E. GAMBELBACK ROAD SUITE 300 PHOENIX, AZ 85018-2311 TEL (602) 922-7700</small>				ROUTE SR 30 LOCATION SR 30, SR 303L TO SR 202L
OF				

F.H.W.A. REGION	STATE	PROJECT NO.	SHEET NO.	TOTAL SHEETS	RECORD DRAWING
9	ARIZ.				

030 MA 000

**NOTE**  
Refer to SR 303L, 1-10 to SR 30 for additional SR 30 alignment definition



DATE- LOCATION- REVISIONS- FINISHED PLANS- SURVEY NO. DATE- LOCATION- REVISIONS- FINISHED PLANS- SURVEY NO.

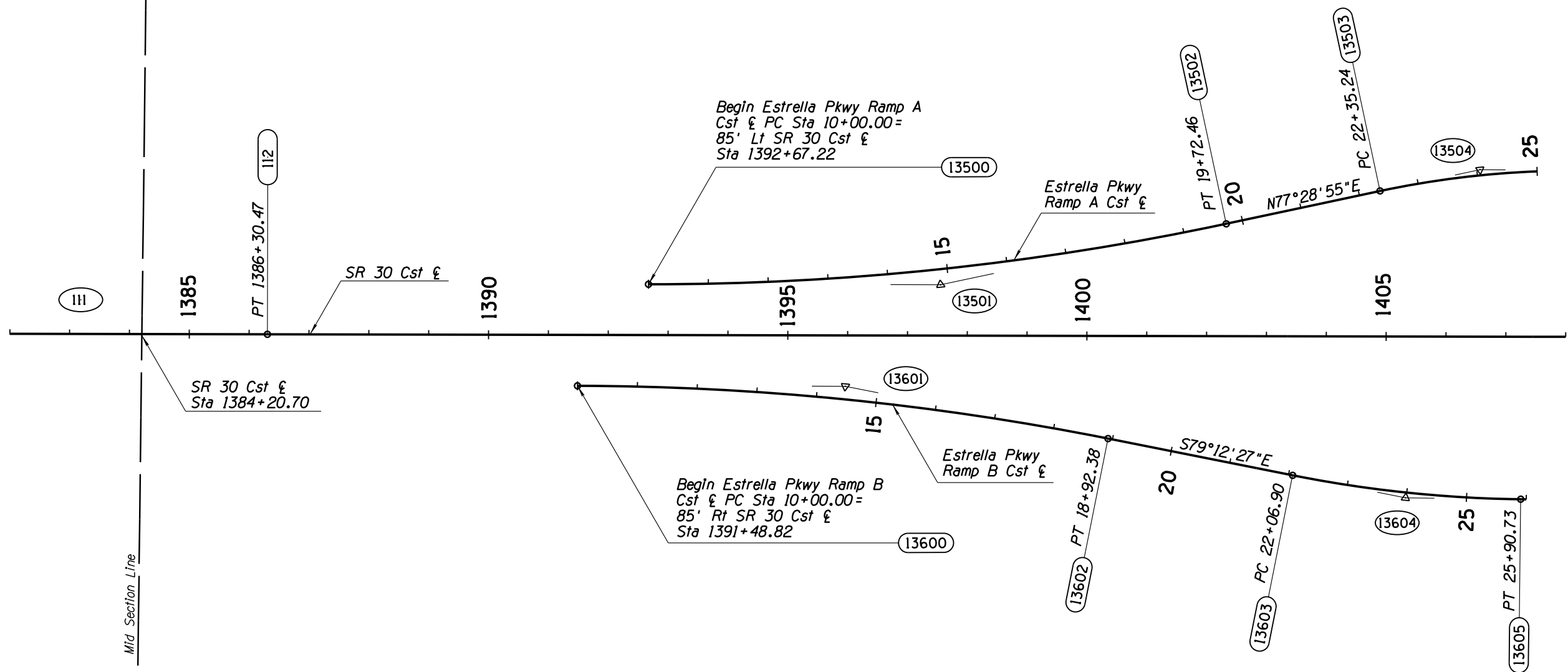
## SECTION 1 SELECTED ALTERNATIVE

DESIGN	BJK	DATE	06/19	ARIZONA DEPARTMENT OF TRANSPORTATION INTERMODAL TRANSPORTATION DIVISION ROADWAY DESIGN SERVICES	<b>LDCR</b> Review NOT FOR CONSTRUCTION OR RECORDING
DRAWN	CADD	DATE	06/19		
CHECKED	BWB	DATE	06/19		
<b>HR</b>		HR, INC. 3200 E. GAMBELBACK ROAD SUITE 300 PHOENIX, AZ 85018-2311 TEL: (602) 922-7700		GEOMETRIC LAYOUT STA 1356+00 TO 1382+00 SECTION 1	DWG NO C-02.21
ROUTE	SR 30	LOCATION	SR 30, SR 303L TO SR 202L		
TRACS NO.	H6876 OIL				OF

CALL BLUE STAKE CENTER two working days before you dig.  
**602-263-1100**  
Within Maricopa County OR  
**1-800-STAKE-IT**  
(782-5348)

F.H.W.A. REGION	STATE	PROJECT NO.	SHEET NO.	TOTAL SHEETS	RECORD DRAWING
9	ARIZ.				

030 MA 000



SURVEY NO. FINISHED PLANS DATE REVISIONS LOCATION DATE FINISHED PLANS SURVEY NO.

Mid Section Line

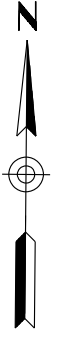
## SECTION 1 SELECTED ALTERNATIVE

DESIGN	BJK	DATE	06/19	ARIZONA DEPARTMENT OF TRANSPORTATION INTERMODAL TRANSPORTATION DIVISION ROADWAY DESIGN SERVICES	<b>LDCR</b> Review NOT FOR CONSTRUCTION OR RECORDING
DRAWN	CADD	DATE	06/19		
CHECKED	BWB	DATE	06/19		
<b>HDR</b>		HDR, INC. 3200 E. CAMELBACK ROAD SUITE 300 PHOENIX, AZ 85018-2311 TEL (602) 922-7700		<b>GEOMETRIC LAYOUT</b> STA 1382+00 TO 1408+00 SECTION 1	DWG NO C-02.22
ROUTE	SR 30	LOCATION	SR 30, SR 303L TO SR 202L		TRACS NO. H6876 OIL
					OF

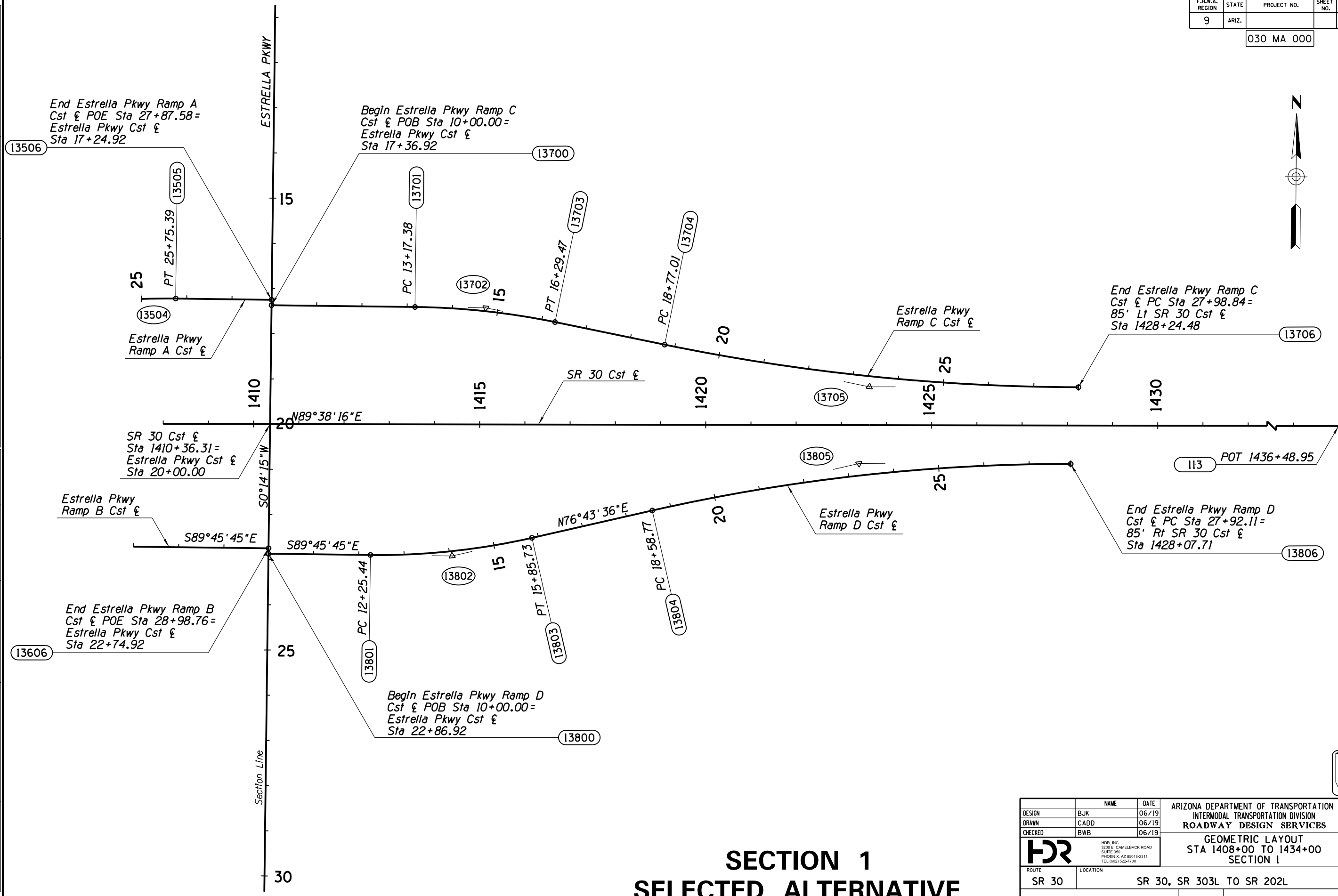
Call BLUE STAKE CENTER two working days before you dig.  
**602-263-1100**  
 Within Maricopa County  
 OR  
**1-800-STAKE-IT**  
 (782-5348)

F.H.W.A. REGION	STATE	PROJECT NO.	SHEET NO.	TOTAL SHEETS	RECORD DRAWING
9	ARIZ.				

030 MA 000



SURVEY NO. FINISHED PLANS REVISIONS LOCATION DATE



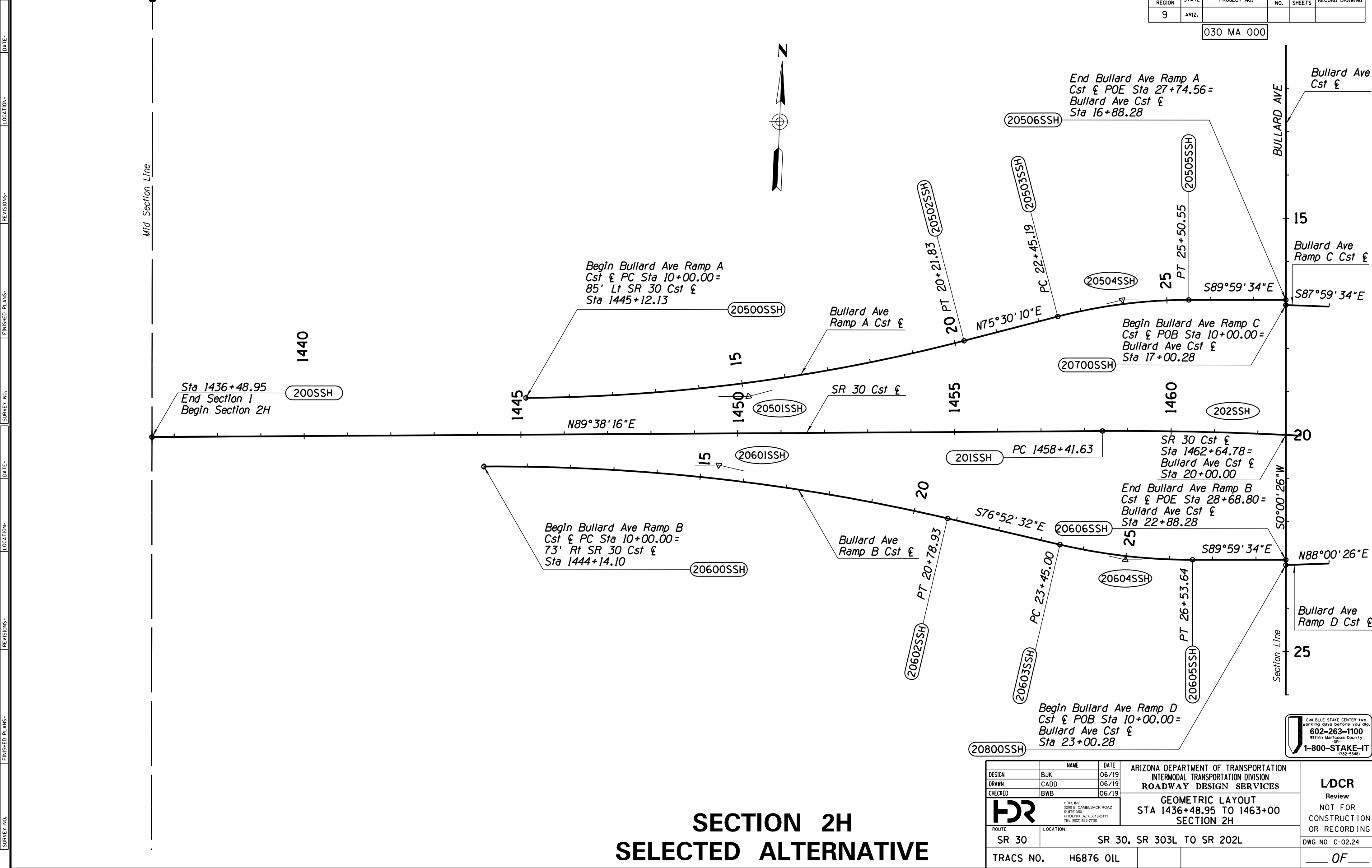
# SECTION 1 SELECTED ALTERNATIVE

DESIGN	BJK	DATE	06/19	ARIZONA DEPARTMENT OF TRANSPORTATION INTERMODAL TRANSPORTATION DIVISION ROADWAY DESIGN SERVICES	<b>LDCR</b> Review NOT FOR CONSTRUCTION OR RECORDING
DRAWN	CADD	DATE	06/19		
CHECKED	BWB	DATE	06/19		
<b>HR</b>		<small>HR, INC. 3200 E. CAMELBACK ROAD SUITE 300 PHOENIX, AZ 85018-2311 TEL (602) 922-7700</small>		<b>GEOMETRIC LAYOUT</b> <b>STA 1408+00 TO 1434+00</b> <b>SECTION 1</b>	
ROUTE	SR 30	LOCATION	SR 30, SR 303L TO SR 202L	DWG NO C-02.23	
TRACS NO.	H6876 OIL			OF	

Call BLUE STAKE CENTER two  
 working days before you dig.  
**602-263-1100**  
Within Maricopa County  
OR  
**1-800-STAKE-IT**  
(782-5348)

F.H.W.A. REGION	STATE	PROJECT NO.	SHEET NO.	TOTAL SHEETS	RECORD DRAWING
9	ARIZ.				

030 MA 000



SURVEY NO. FINISHED PLANS- REVISIONS- LOCATION- DATE-

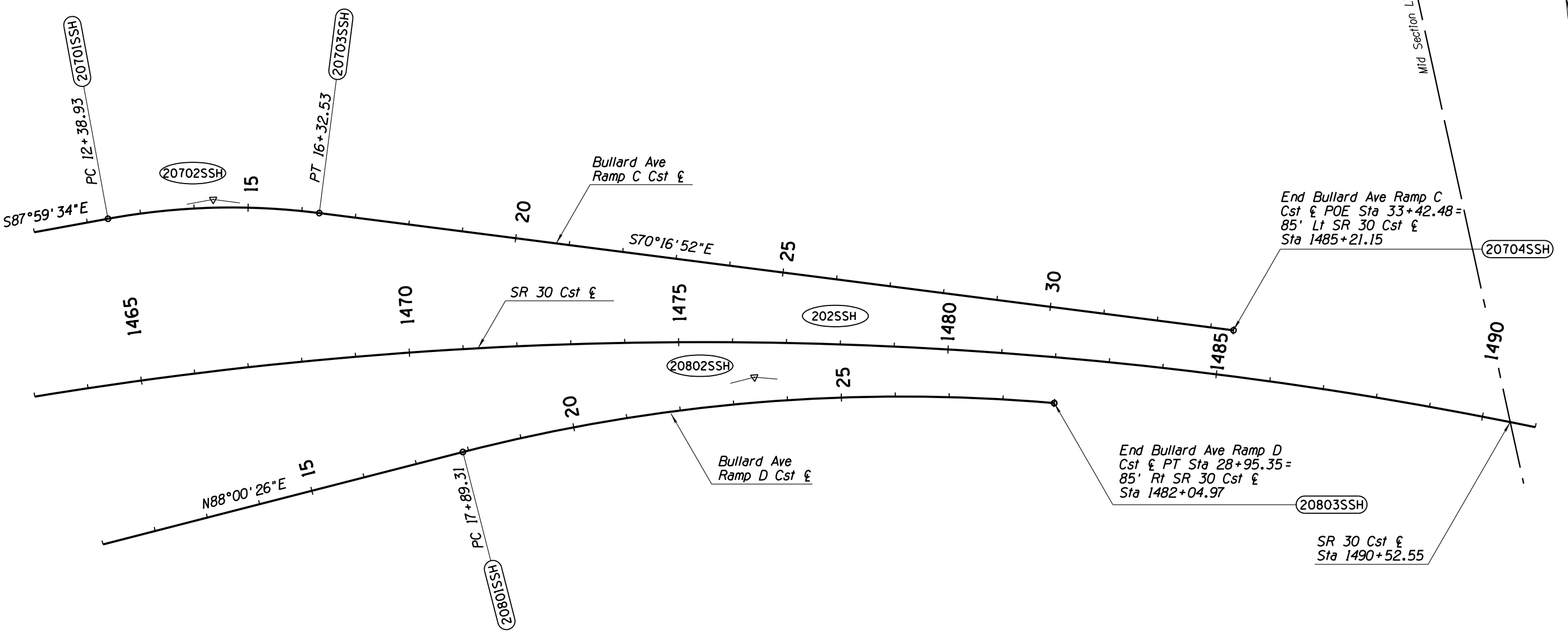
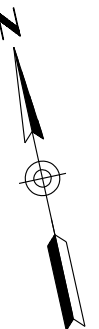
## SECTION 2H SELECTED ALTERNATIVE

DESIGN	BJK	DATE	06/19	ARIZONA DEPARTMENT OF TRANSPORTATION INTERMODAL TRANSPORTATION DIVISION ROADWAY DESIGN SERVICES	<b>LDCR</b> Review NOT FOR CONSTRUCTION OR RECORDING
DRAWN	CADD	DATE	06/19		
CHECKED	BWB	DATE	06/19		
<b>HR</b>		HDR, INC. 3200 E. GAMBELBACK ROAD SUITE 300 PHOENIX, AZ 85018-2311 TEL: (602) 922-7700		<b>GEOMETRIC LAYOUT</b> STA 1436+48.95 TO 1463+00 SECTION 2H	
ROUTE	SR 30	LOCATION	SR 30, SR 303L TO SR 202L		DWG NO C-02.24
TRACS NO.	H6876 OIL				OF

Call BLUE STAKE CENTER two  
 working days before you dig.  
**602-263-1100**  
 Within Maricopa County  
 OR  
**1-800-STAKE-IT**  
(782-5348)

F.H.W.A. REGION	STATE	PROJECT NO.	SHEET NO.	TOTAL SHEETS	RECORD DRAWING
9	ARIZ.				

030 MA 000



# SECTION 2H SELECTED ALTERNATIVE

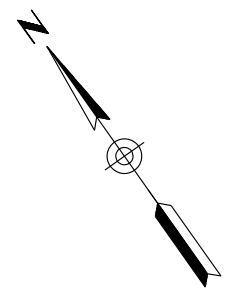
Call BLUE STAKE CENTER two working days before you dig.  
602-263-1100  
Within Maricopa County  
OR  
1-800-STAKE-IT  
(782-5348)

DESIGN	NAME	DATE	ARIZONA DEPARTMENT OF TRANSPORTATION INTERMODAL TRANSPORTATION DIVISION ROADWAY DESIGN SERVICES	<b>LDCR</b> Review NOT FOR CONSTRUCTION OR RECORDING
DRAWN	BJK	06/19		
CHECKED	CADD	06/19		
			GEOMETRIC LAYOUT STA 1463+00 TO 1491+00 SECTION 2H	DWG NO C-02.25 OF
ROUTE	LOCATION	SR 30 SR 303L TO SR 202L		
TRACS NO.	H6876 OIL			

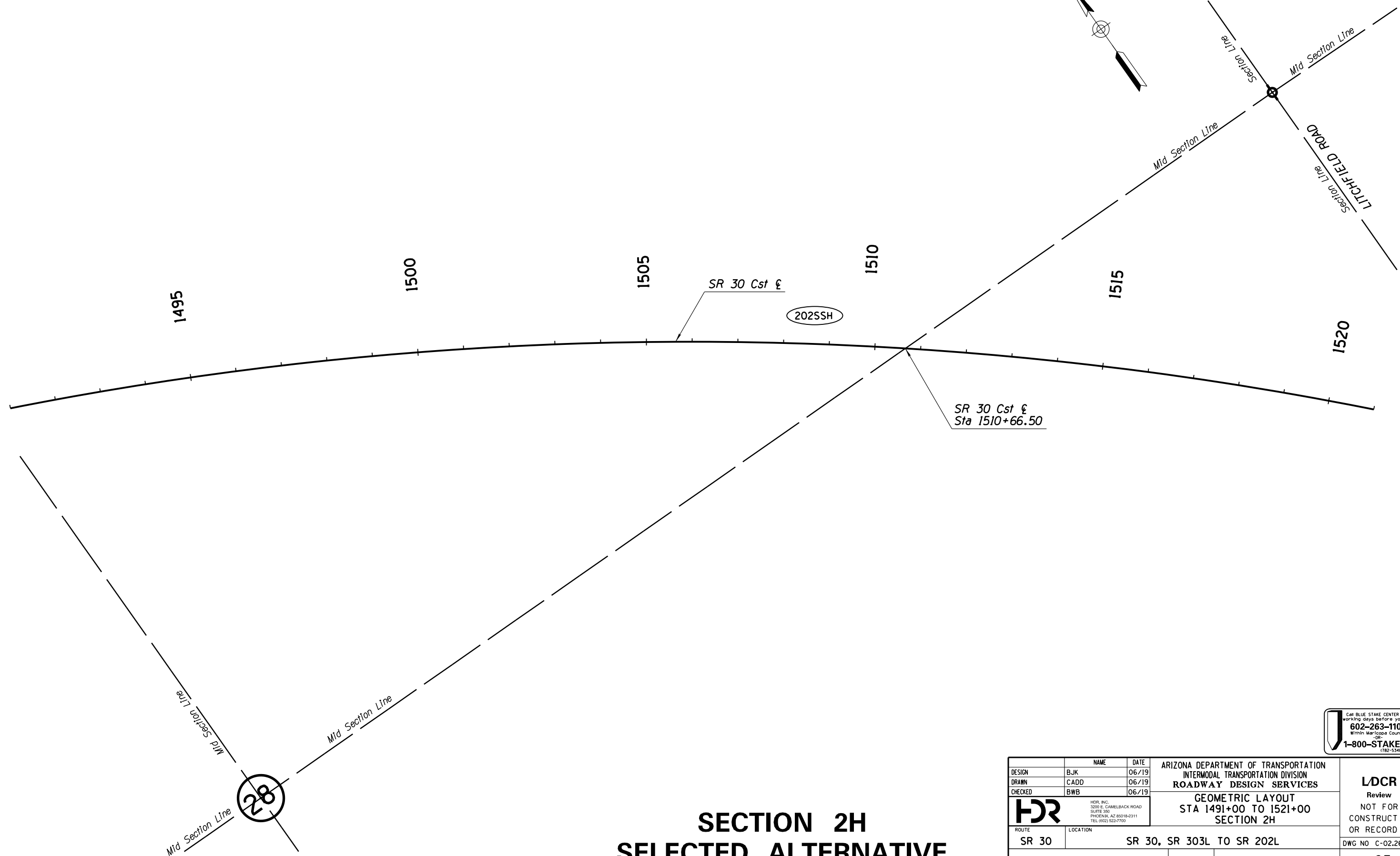
SURVEY NO. FINISHED PLANS DATE REVISIONS LOCATION DATE FINISHED PLANS SURVEY NO. REVISIONS LOCATION DATE

F.H.W.A. REGION	STATE	PROJECT NO.	SHEET NO.	TOTAL SHEETS	RECORD DRAWING
9	ARIZ.				

030 MA 000



SURVEY NO. FINISHED PLANS- REVISIONS- LOCATION- DATE- FINISHED PLANS- REVISIONS- LOCATION- DATE- SURVEY NO.



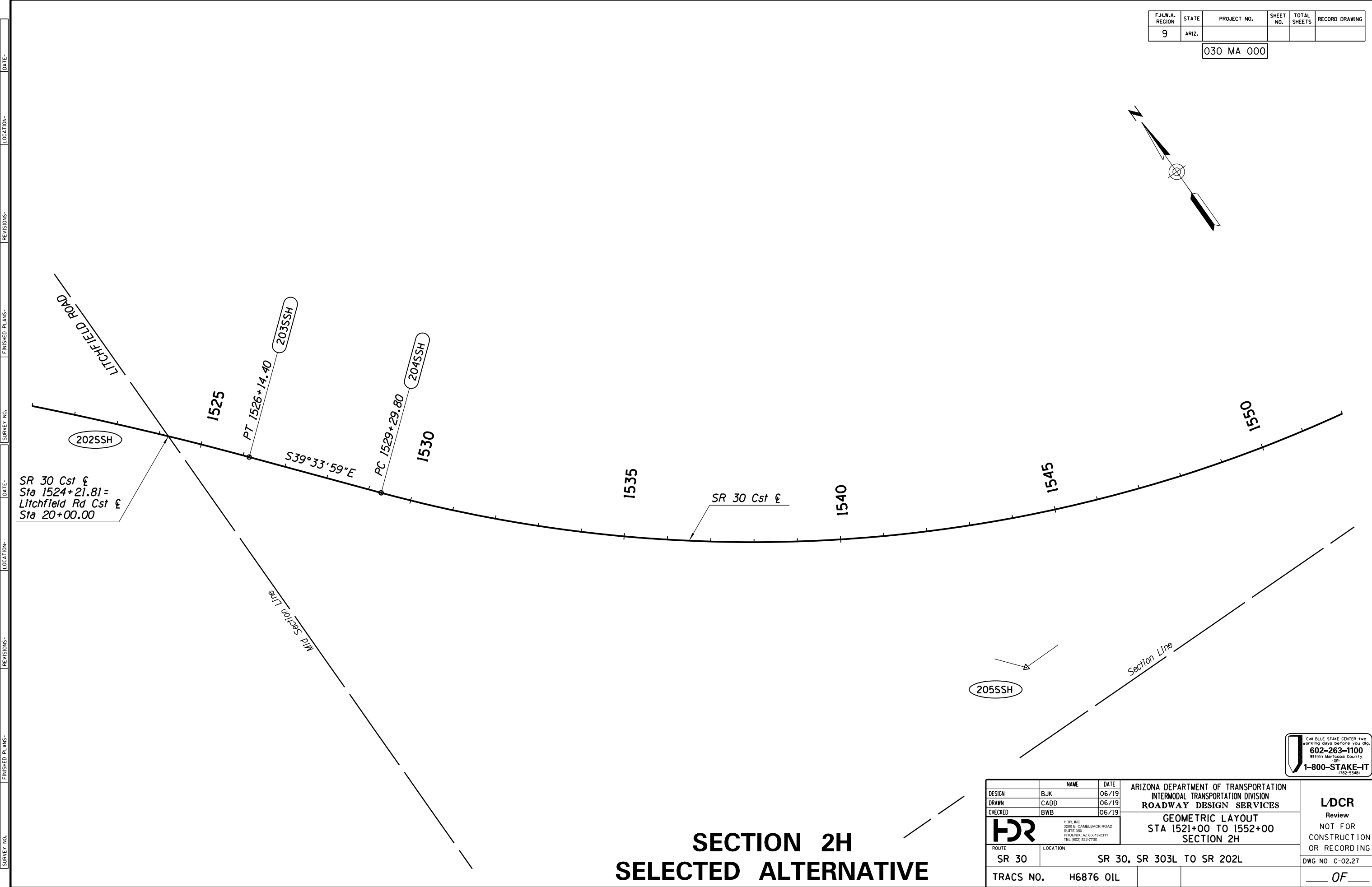
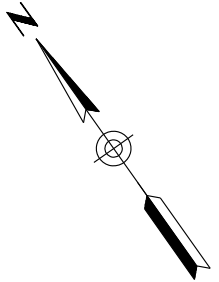
## SECTION 2H SELECTED ALTERNATIVE

Call BLUE STAKE CENTER two working days before you dig.  
**602-263-1100**  
 Within Maricopa County OR  
**1-800-STAKE-IT**  
(782-5348)

DESIGN	BJK	DATE	06/19	ARIZONA DEPARTMENT OF TRANSPORTATION INTERMODAL TRANSPORTATION DIVISION <b>ROADWAY DESIGN SERVICES</b>	<b>LDCR</b> Review NOT FOR CONSTRUCTION OR RECORDING
DRAWN	CADD	DATE	06/19		
CHECKED	BWB	DATE	06/19		
		<small>HDR, INC.          3200 E. GAMBELBACK ROAD          SUITE 300          PHOENIX, AZ 85018-2311          TEL (602) 922-7700</small>		<b>GEOMETRIC LAYOUT</b> <b>STA 1491+00 TO 1521+00</b> <b>SECTION 2H</b>	DWG NO C-02.26 <hr/> OF
ROUTE	SR 30	LOCATION	SR 30, SR 303L TO SR 202L		
TRACS NO.	H6876 OIL				

F.H.W.A. REGION	STATE	PROJECT NO.	SHEET NO.	TOTAL SHEETS	RECORD DRAWING
9	ARIZ.				

030 MA 000



SR 30 Cst &  
Sta 1524+21.81=  
Litchfield Rd Cst &  
Sta 20+00.00

SR 30 Cst &  
Sta 1524+21.81=  
Litchfield Rd Cst &  
Sta 20+00.00

205SSH

SURVEY NO. | FINISHED PLANS | REVISIONS | LOCATION | DATE | SURVEY NO. | FINISHED PLANS | REVISIONS | LOCATION | DATE | SURVEY NO. | FINISHED PLANS | REVISIONS | LOCATION | DATE

## SECTION 2H SELECTED ALTERNATIVE

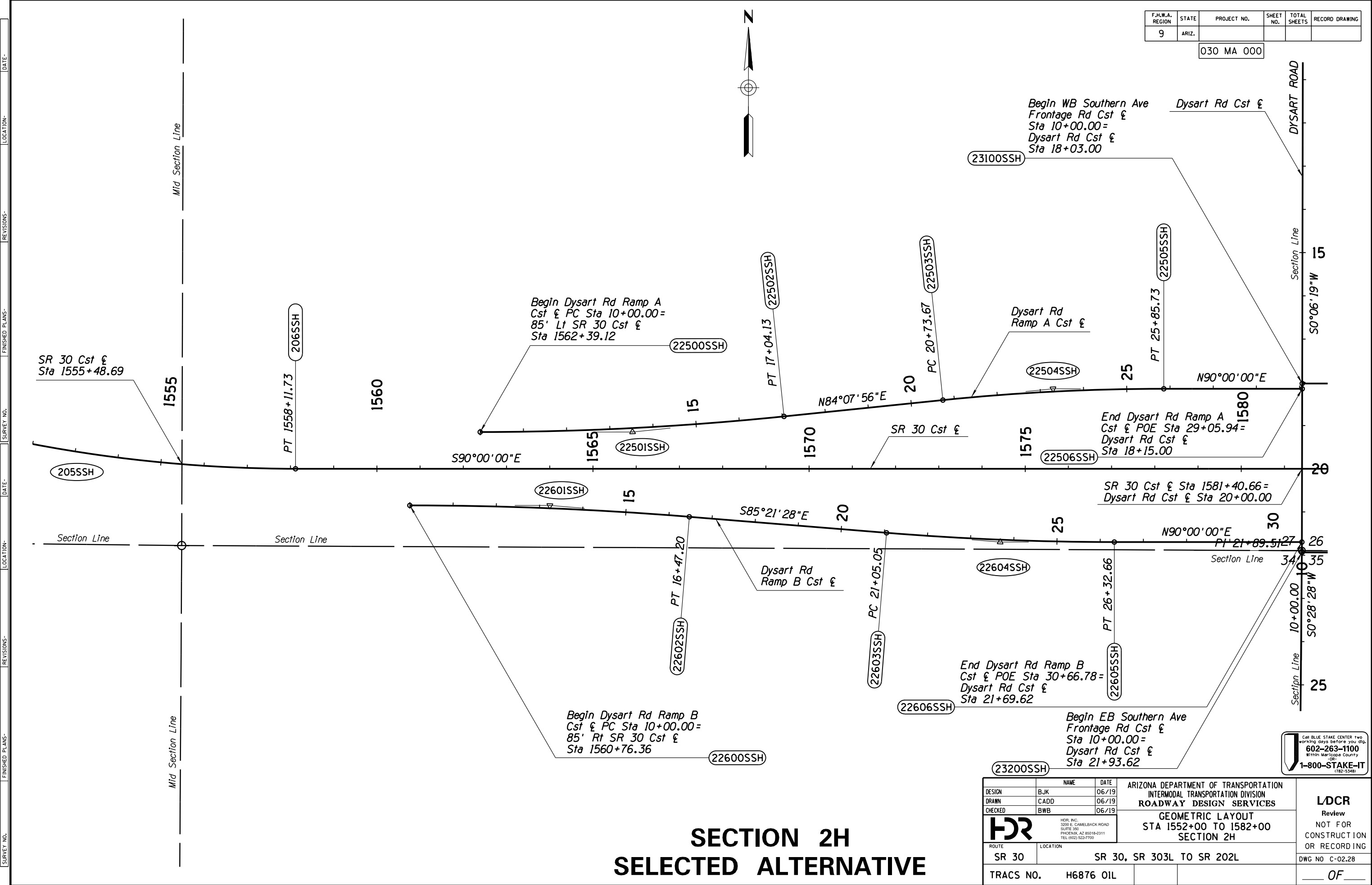
CALL BLUE STAKE CENTER two working days before you dig.  
602-263-1100  
Within Maricopa County OR  
1-800-STAKE-IT (782-5348)

DESIGN	NAME	DATE	ARIZONA DEPARTMENT OF TRANSPORTATION INTERMODAL TRANSPORTATION DIVISION ROADWAY DESIGN SERVICES	<b>LDCR</b> Review NOT FOR CONSTRUCTION OR RECORDING
DRAWN	BJK	06/19		
CHECKED	CADD	06/19		
<small>HDR, INC. 3200 E. CAMELBACK ROAD SUITE 300 PHOENIX, AZ 85018-2311 TEL (602) 922-7700</small>			<b>GEOMETRIC LAYOUT</b> <b>STA 1521+00 TO 1552+00</b> <b>SECTION 2H</b>	DWG NO C-02.27
ROUTE	SR 30	LOCATION	SR 30, SR 303L TO SR 202L	OF
TRACS NO.	H6876 OIL			



F.H.W.A. REGION	STATE	PROJECT NO.	SHEET NO.	TOTAL SHEETS	RECORD DRAWING
9	ARIZ.				

030 MA 000



DATE: LOCATION: REVISIONS: SURVEY NO. DATE: LOCATION: REVISIONS: SURVEY NO.

## SECTION 2H SELECTED ALTERNATIVE

DESIGN	NAME	DATE
B.K.	BJK	06/19
CADD	CADD	06/19
CHECKED	BWB	06/19



HDR, INC.  
3200 E. CAMELBACK ROAD  
SUITE 300  
PHOENIX, AZ 85018-2311  
TEL: (602) 922-7700

ARIZONA DEPARTMENT OF TRANSPORTATION  
INTERMODAL TRANSPORTATION DIVISION  
ROADWAY DESIGN SERVICES

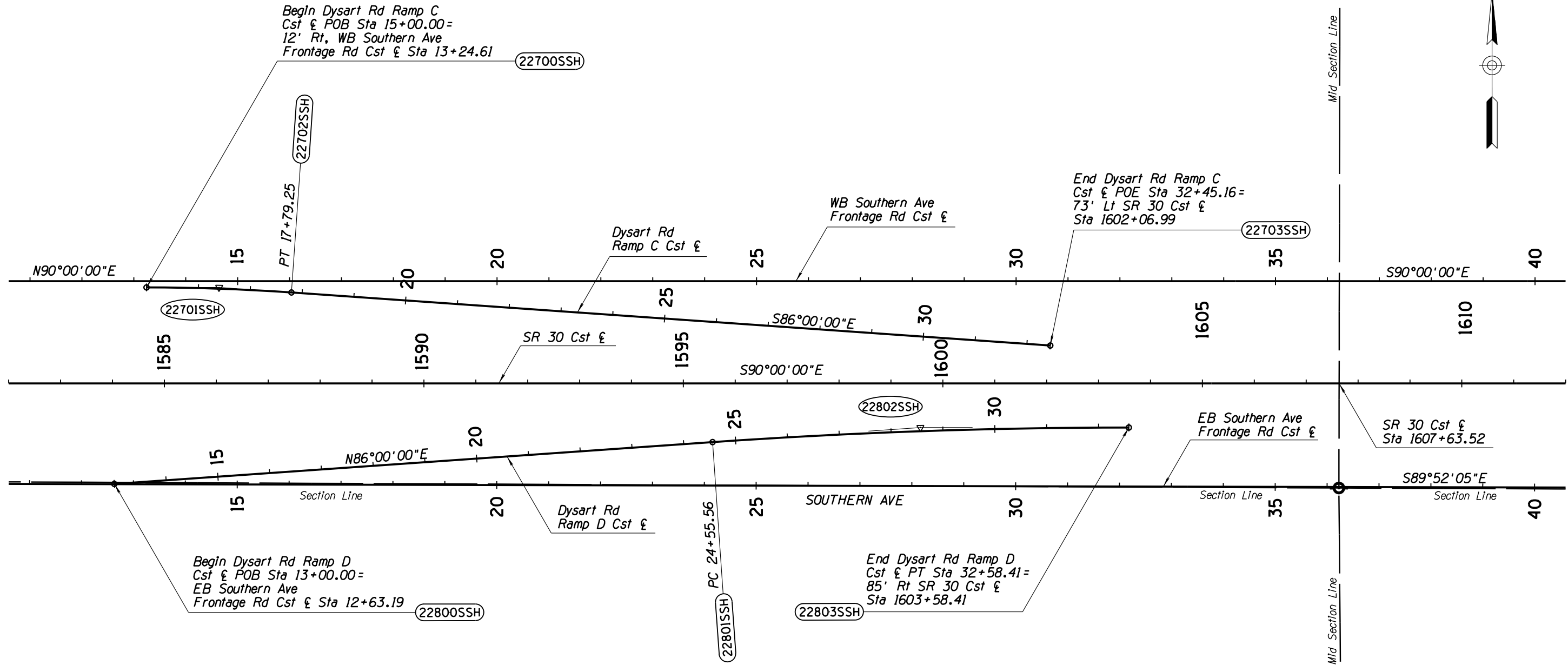
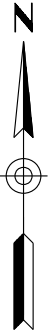
### GEOMETRIC LAYOUT STA 1552+00 TO 1582+00 SECTION 2H

CALL BLUE STAKE CENTER two working days before you dig.  
**602-263-1100**  
Within Maricopa County  
OR  
**1-800-STAKE-IT**  
(782-5348)

ROUTE	SR 30	LOCATION	SR 30, SR 303L TO SR 202L
TRACS NO.	H6876 OIL		
<b>LDCR</b> Review NOT FOR CONSTRUCTION OR RECORDING DWG NO C-02.28 <b>OF</b>			


F.H.W.A. REGION	STATE	PROJECT NO.	SHEET NO.	TOTAL SHEETS	RECORD DRAWING
9	ARIZ.				

030 MA 000



## SECTION 2H SELECTED ALTERNATIVE

CALL BLUE STAKE CENTER TWO WORKING DAYS BEFORE YOU DIG.  
602-263-1100  
Within Maricopa County  
OR  
1-800-STAKE-IT  
(782-5348)

DESIGN	NAME	DATE	ARIZONA DEPARTMENT OF TRANSPORTATION INTERMODAL TRANSPORTATION DIVISION ROADWAY DESIGN SERVICES	LDCR Review NOT FOR CONSTRUCTION OR RECORDING DWG NO C-02.29
DRAWN	BJK	06/19		
CHECKED	CADD	06/19		
 HDR, INC. 3200 E. CAMELBACK ROAD SUITE 300 PHOENIX, AZ 85018-2311 TEL (602) 922-7700			<b>GEOMETRIC LAYOUT</b> <b>STA 1582+00 TO 1612+00</b> <b>SECTION 2H</b>	
ROUTE	LOCATION			
SR 30	SR 30, SR 303L TO SR 202L			
TRACS NO.	H6876 OIL			

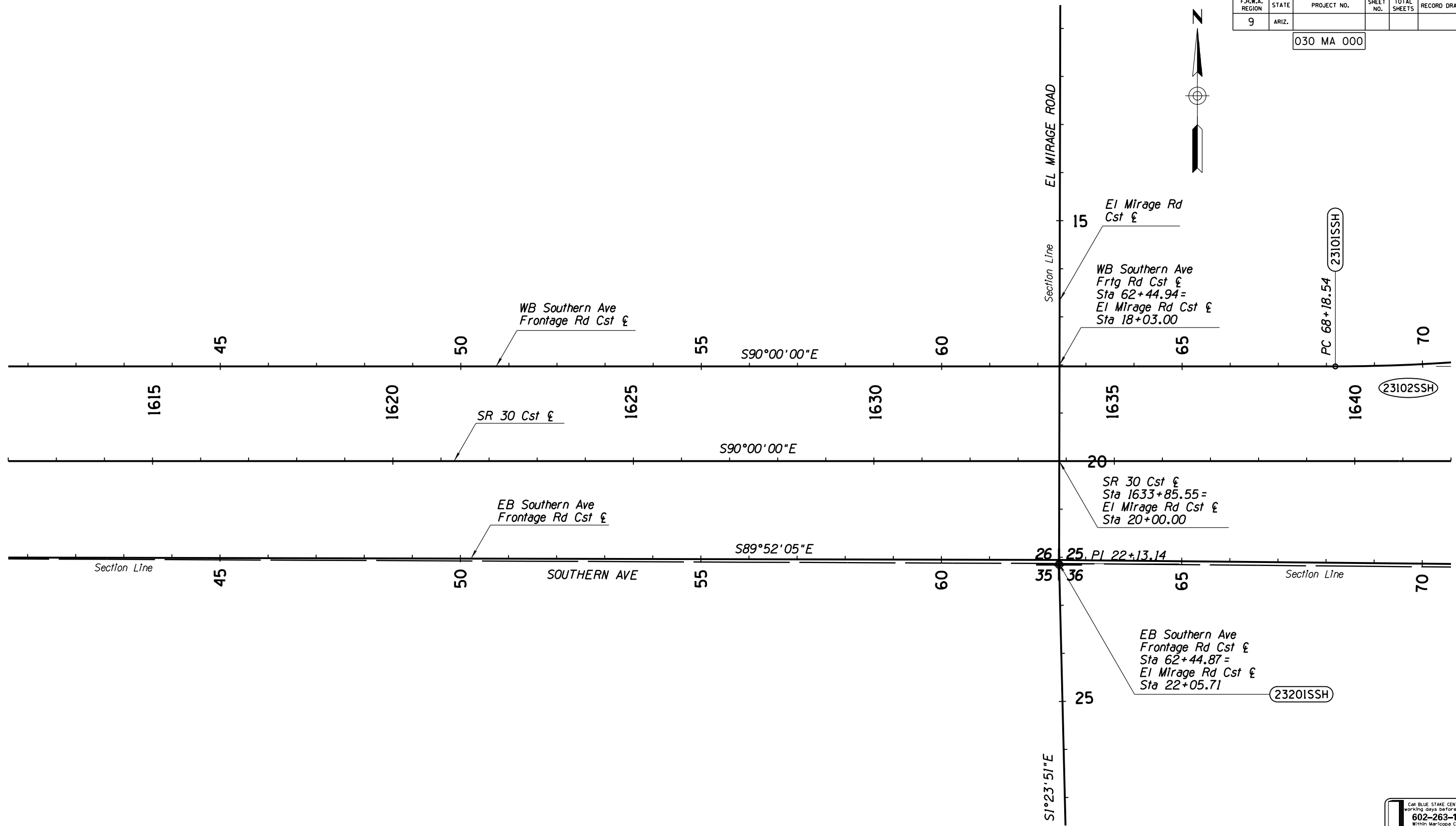
SURVEY NO. FINISHED PLANS- LOCATION- DATE- REVISIONS- FINISHED PLANS- LOCATION- DATE- REVISIONS- SURVEY NO.

F.H.W.A. REGION	STATE	PROJECT NO.	SHEET NO.	TOTAL SHEETS	RECORD DRAWING
9	ARIZ.				

030 MA 000



SURVEY NO. FINISHED PLANS- REVISIONS- LOCATION- DATE- FINISHED PLANS- REVISIONS- LOCATION- DATE- SURVEY NO.



## SECTION 2H SELECTED ALTERNATIVE

DESIGN	NAME	DATE
BJK		06/19
DRAWN	CADD	06/19
CHECKED	BWB	06/19



ARIZONA DEPARTMENT OF TRANSPORTATION  
 INTERMODAL TRANSPORTATION DIVISION  
**ROADWAY DESIGN SERVICES**  
 GEOMETRIC LAYOUT  
 STA 1612+00 TO 1642+00  
 SECTION 2H

Call BLUE STAKE CENTER two working days before you dig.  
**602-263-1100**  
 Within Maricopa County  
 OR  
**1-800-STAKE-IT**  
(782-5348)

**LDCR**  
 Review  
 NOT FOR  
 CONSTRUCTION  
 OR RECORDING

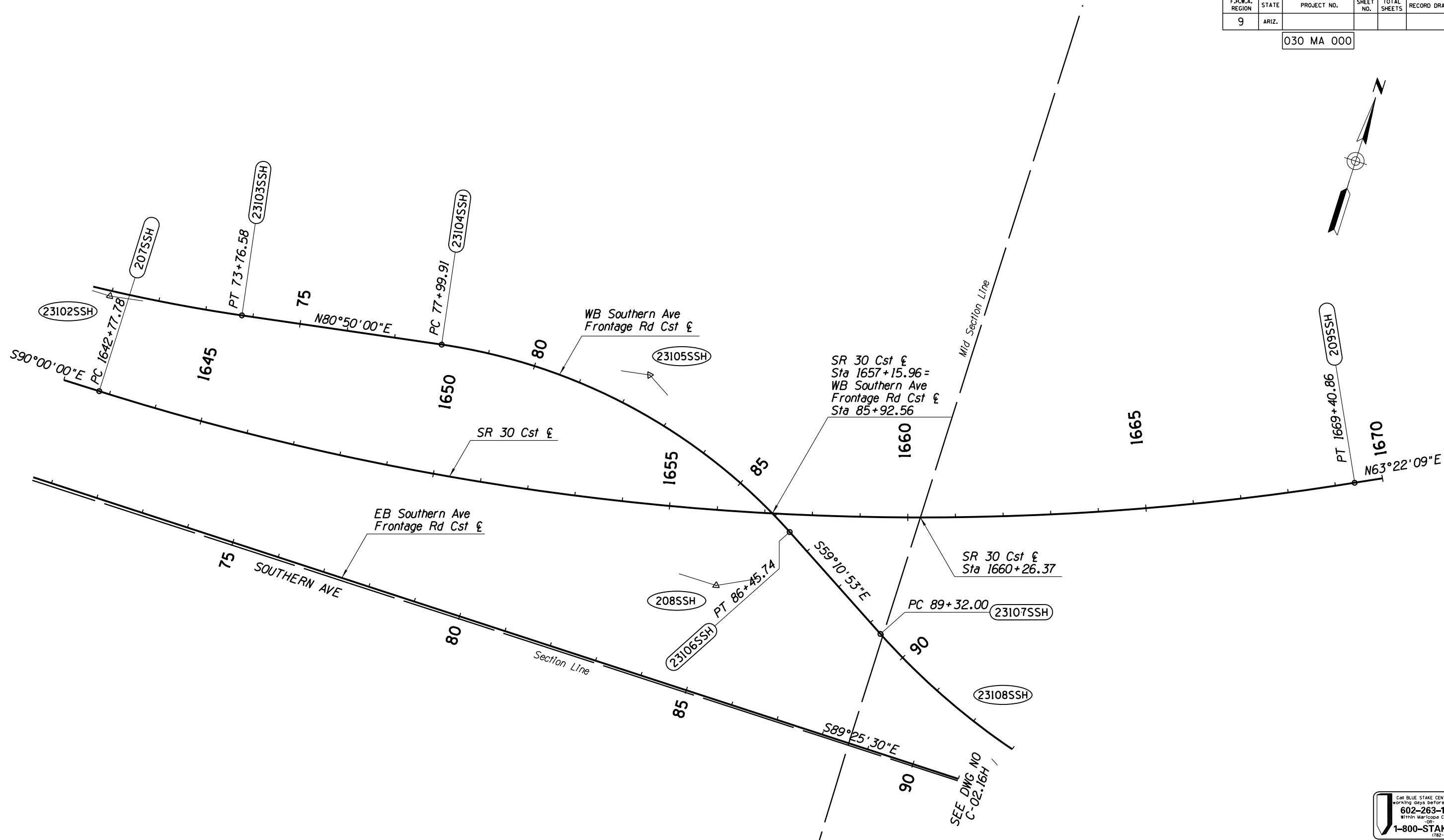
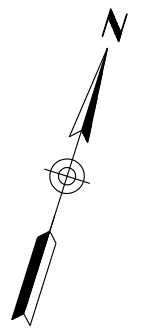
ROUTE	LOCATION
SR 30	SR 30, SR 303L TO SR 202L

TRACS NO. H6876 OIL

DWG NO C-02.30  
OF

F.H.W.A. REGION	STATE	PROJECT NO.	SHEET NO.	TOTAL SHEETS	RECORD DRAWING
9	ARIZ.				

030 MA 000



SURVEY NO. FINISHED PLANS- REVISIONS- LOCATION- DATE- FINISHED PLANS- REVISIONS- LOCATION- DATE- SURVEY NO.

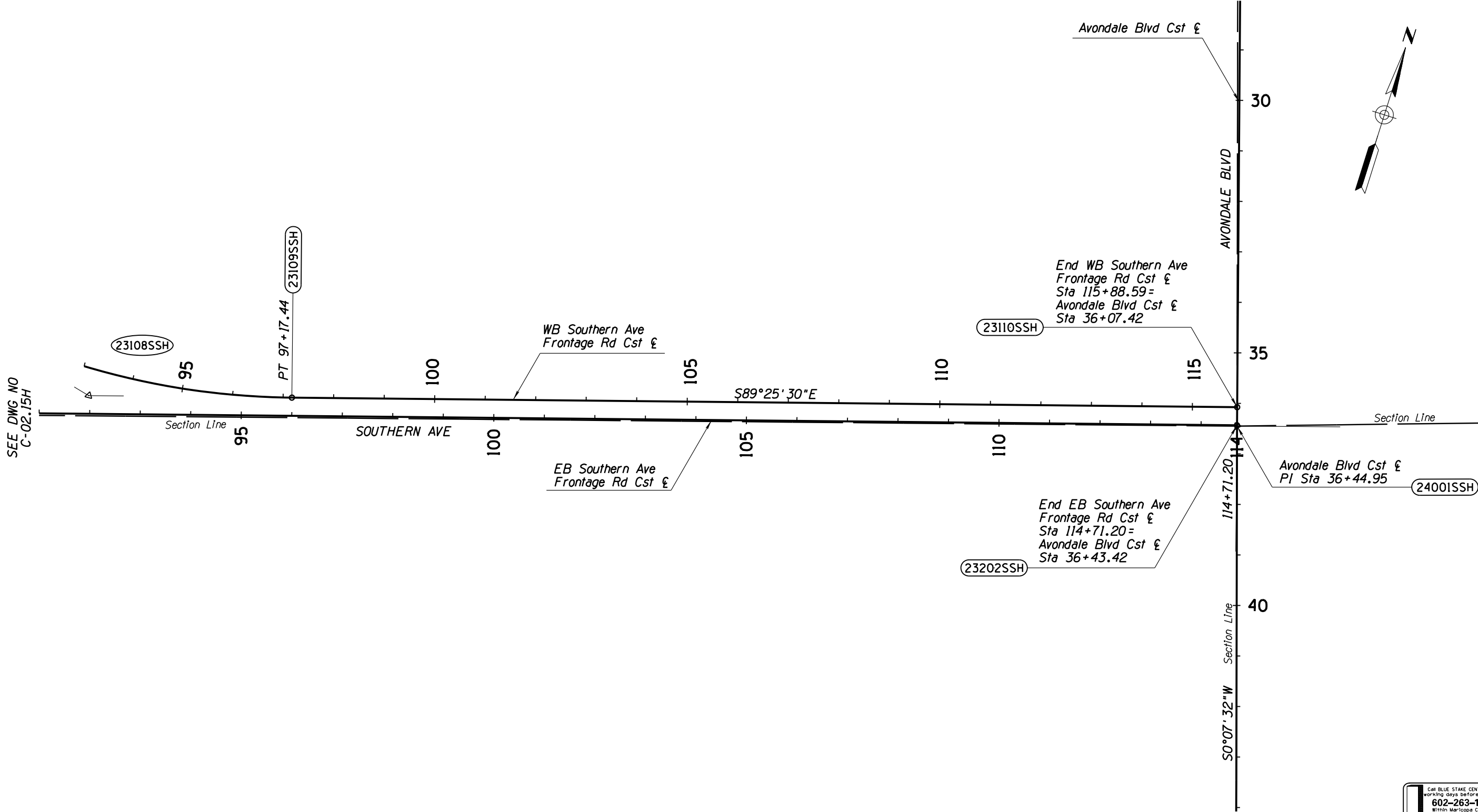
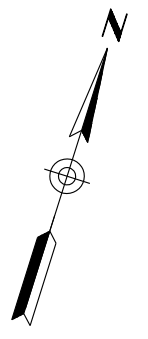
## SECTION 2H SELECTED ALTERNATIVE

Call BLUE STAKE CENTER two working days before you dig.  
**602-263-1100**  
 Within Maricopa County OR  
**1-800-STAKE-IT**  
(782-5348)

DESIGN	NAME	DATE	ARIZONA DEPARTMENT OF TRANSPORTATION INTERMODAL TRANSPORTATION DIVISION <b>ROADWAY DESIGN SERVICES</b> <b>GEOMETRIC LAYOUT</b> <b>STA 1642+00 TO 1670+00</b> <b>SECTION 2H</b>	<b>LDCR</b> Review NOT FOR CONSTRUCTION OR RECORDING
DRAWN	BJK	06/19		
CHECKED	CADD	06/19		
ROUTE		SR 30	SR 30, SR 303L TO SR 202L	DWG NO C-02.31
TRACS NO.		H6876 OIL		OF

F.H.W.A. REGION	STATE	PROJECT NO.	SHEET NO.	TOTAL SHEETS	RECORD DRAWING
9	ARIZ.				

030 MA 000



DATE- LOCATION- REVISIONS- FINISHED PLANS- SURVEY NO. DATE- LOCATION- REVISIONS- FINISHED PLANS- SURVEY NO.

SEE DWG NO  
C-02.15H

## SECTION 2H SELECTED ALTERNATIVE

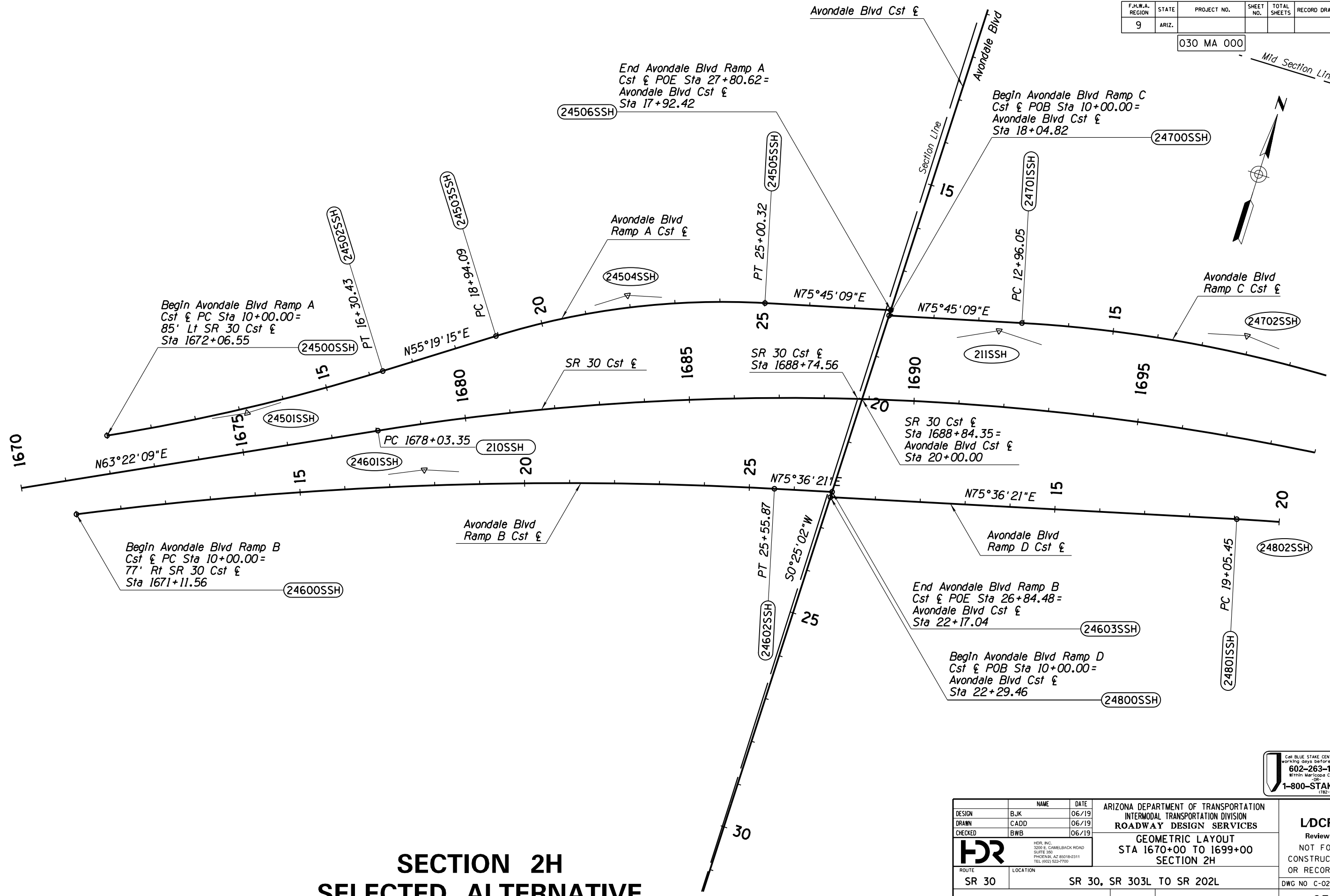
DESIGN	BJK	DATE	06/19	ARIZONA DEPARTMENT OF TRANSPORTATION INTERMODAL TRANSPORTATION DIVISION ROADWAY DESIGN SERVICES	<b>LDCR</b> Review NOT FOR CONSTRUCTION OR RECORDING
DRAWN	CADD	DATE	06/19		
CHECKED	BWB	DATE	06/19		
<b>HR</b>		<small>HDR, INC. 3200 E. CAMELBACK ROAD SUITE 300 PHOENIX, AZ 85018-2311 TEL (602) 922-7700</small>		<b>GEOMETRIC LAYOUT FRONTAGE ROADS SECTION 2H</b>	DWG NO C-02.32  <b>OF</b>
ROUTE	SR 30	LOCATION	SR 30, SR 303L TO SR 202L	TRACS NO.	

CALL BLUE STAKE CENTER two working days before you dig.  
**602-263-1100**  
Within Maricopa County OR  
**1-800-STAKE-IT**  
(782-5348)


F.H.W.A. REGION	STATE	PROJECT NO.	SHEET NO.	TOTAL SHEETS	RECORD DRAWING
9	ARIZ.				

030 MA 000

Mid Section Line



# SECTION 2H SELECTED ALTERNATIVE

DESIGN	BJK	DATE	06/19	ARIZONA DEPARTMENT OF TRANSPORTATION INTERMODAL TRANSPORTATION DIVISION ROADWAY DESIGN SERVICES	LDCR Review NOT FOR CONSTRUCTION OR RECORDING DWG NO C-02.33
DRAWN	CADD	DATE	06/19		
CHECKED	BWB	DATE	06/19		
		<small>HDR, INC. 3200 E. CAMELBACK ROAD SUITE 300 PHOENIX, AZ 85018-2311 TEL (602) 922-7700</small>		<b>GEOMETRIC LAYOUT STA 1670+00 TO 1699+00 SECTION 2H</b>	
ROUTE	SR 30	LOCATION	SR 30, SR 303L TO SR 202L		
TRACS NO.	H6876 OIL				

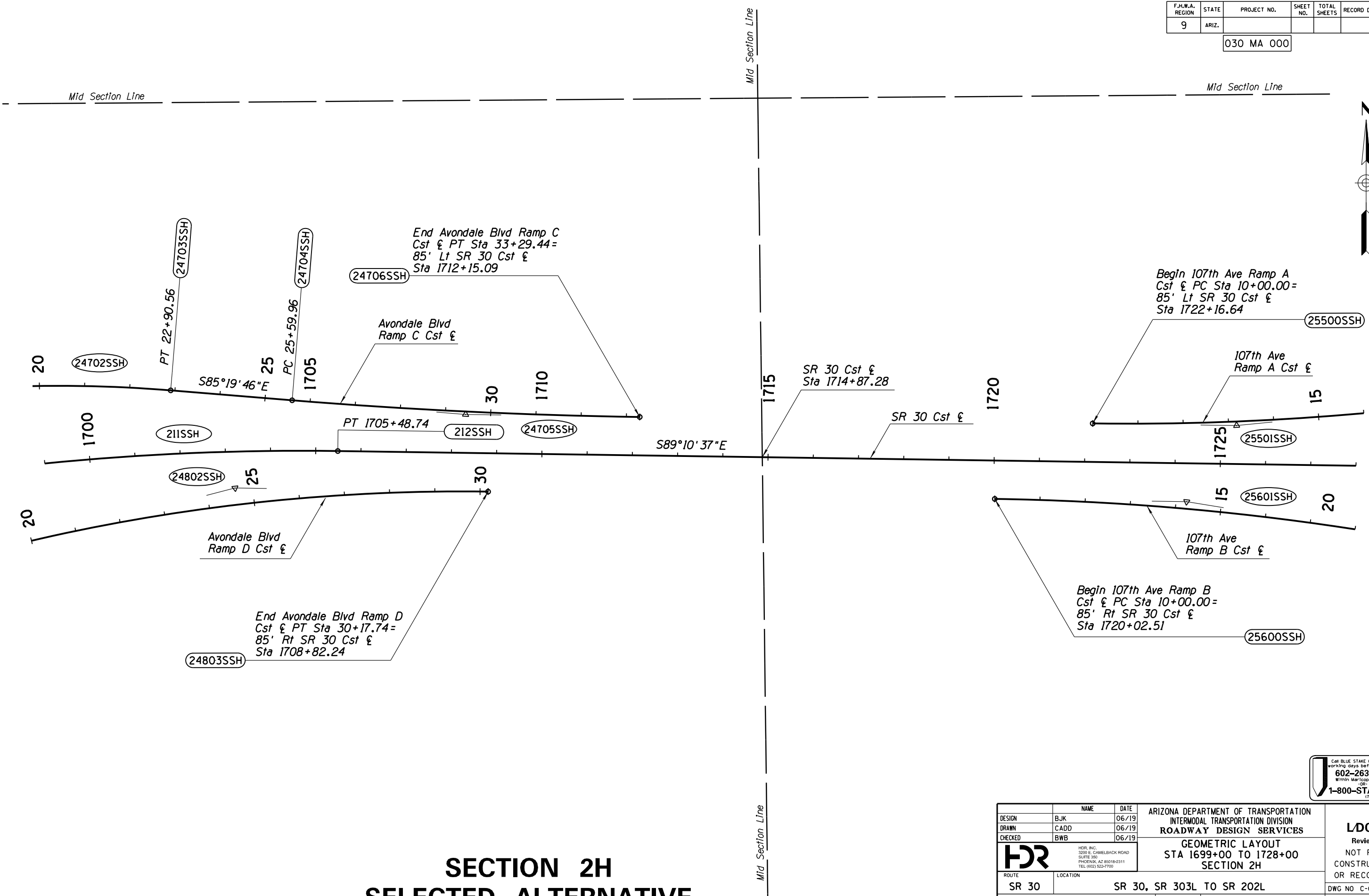
Call BLUE STAKE CENTER two working days before you dig.  
602-263-1100  
Within Maricopa County  
OR  
1-800-STAKE-IT  
(782-5348)

SURVEY NO. FINISHED PLANS- REVISIONS- DATE- LOCATION- FINISHED PLANS- REVISIONS- DATE- LOCATION- FINISHED PLANS- REVISIONS- DATE-

F.H.W.A. REGION	STATE	PROJECT NO.	SHEET NO.	TOTAL SHEETS	RECORD DRAWING
9	ARIZ.				

030 MA 000

SURVEY NO. FINISHED PLANS DATE REVISIONS LOCATION DATE SURVEY NO. FINISHED PLANS DATE REVISIONS LOCATION DATE SURVEY NO.



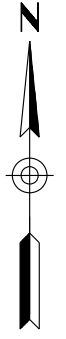
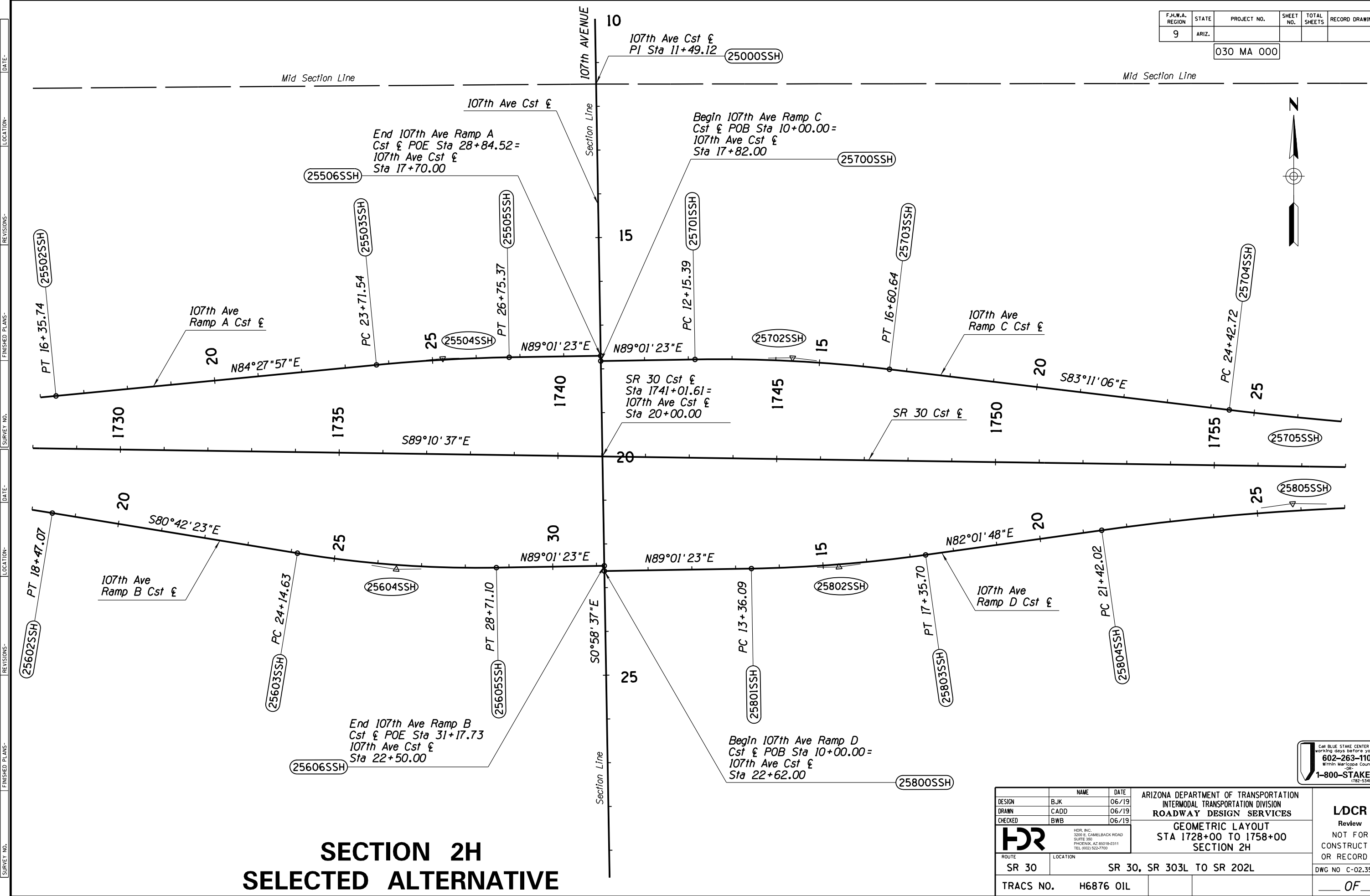
## SECTION 2H SELECTED ALTERNATIVE

Call BLUE STAKE CENTER two  
 working days before you dig.  
**602-263-1100**  
 Within Maricopa County  
 OR  
**1-800-STAKE-IT**  
 (782-5348)

DESIGN	BJK	DATE	06/19	ARIZONA DEPARTMENT OF TRANSPORTATION INTERMODAL TRANSPORTATION DIVISION <b>ROADWAY DESIGN SERVICES</b>	<b>LDCR</b> Review NOT FOR CONSTRUCTION OR RECORDING
DRAWN	CADD	DATE	06/19		
CHECKED	BWB	DATE	06/19		
HDR, INC. 3200 E. CAMELBACK ROAD SUITE 300 PHOENIX, AZ 85018-2311 TEL (602) 922-7700		GEOMETRIC LAYOUT STA 1699+00 TO 1728+00 SECTION 2H		DWG NO C-02.34	
ROUTE	SR 30		LOCATION	SR 30, SR 303L TO SR 202L	
TRACS NO.	H6876 OIL		OF		

F.H.W.A. REGION	STATE	PROJECT NO.	SHEET NO.	TOTAL SHEETS	RECORD DRAWING
9	ARIZ.				

030 MA 000



# SECTION 2H SELECTED ALTERNATIVE

DESIGN	BJK	DATE	06/19	ARIZONA DEPARTMENT OF TRANSPORTATION INTERMODAL TRANSPORTATION DIVISION ROADWAY DESIGN SERVICES	<b>LDCR</b> Review NOT FOR CONSTRUCTION OR RECORDING
DRAWN	CADD	DATE	06/19		
CHECKED	BWB	DATE	06/19		
<b>HR</b>		HR, INC. 3200 E. GAMBELBACK ROAD SUITE 300 PHOENIX, AZ 85018-2311 TEL (602) 922-7700		GEOMETRIC LAYOUT STA 1728+00 TO 1758+00 SECTION 2H	
ROUTE	SR 30		LOCATION	SR 30, SR 303L TO SR 202L	
TRACS NO.	H6876 OIL		DWG NO C-02.35 OF		

CALL BLUE STAKE CENTER two working days before you dig.  
**602-263-1100**  
Within Maricopa County  
OR  
**1-800-STAKE-IT**  
(782-5348)

SURVEY NO. FINISHED PLANS- REVISIONS- LOCATION- DATE- FINISHED PLANS- REVISIONS- LOCATION- DATE- SURVEY NO.

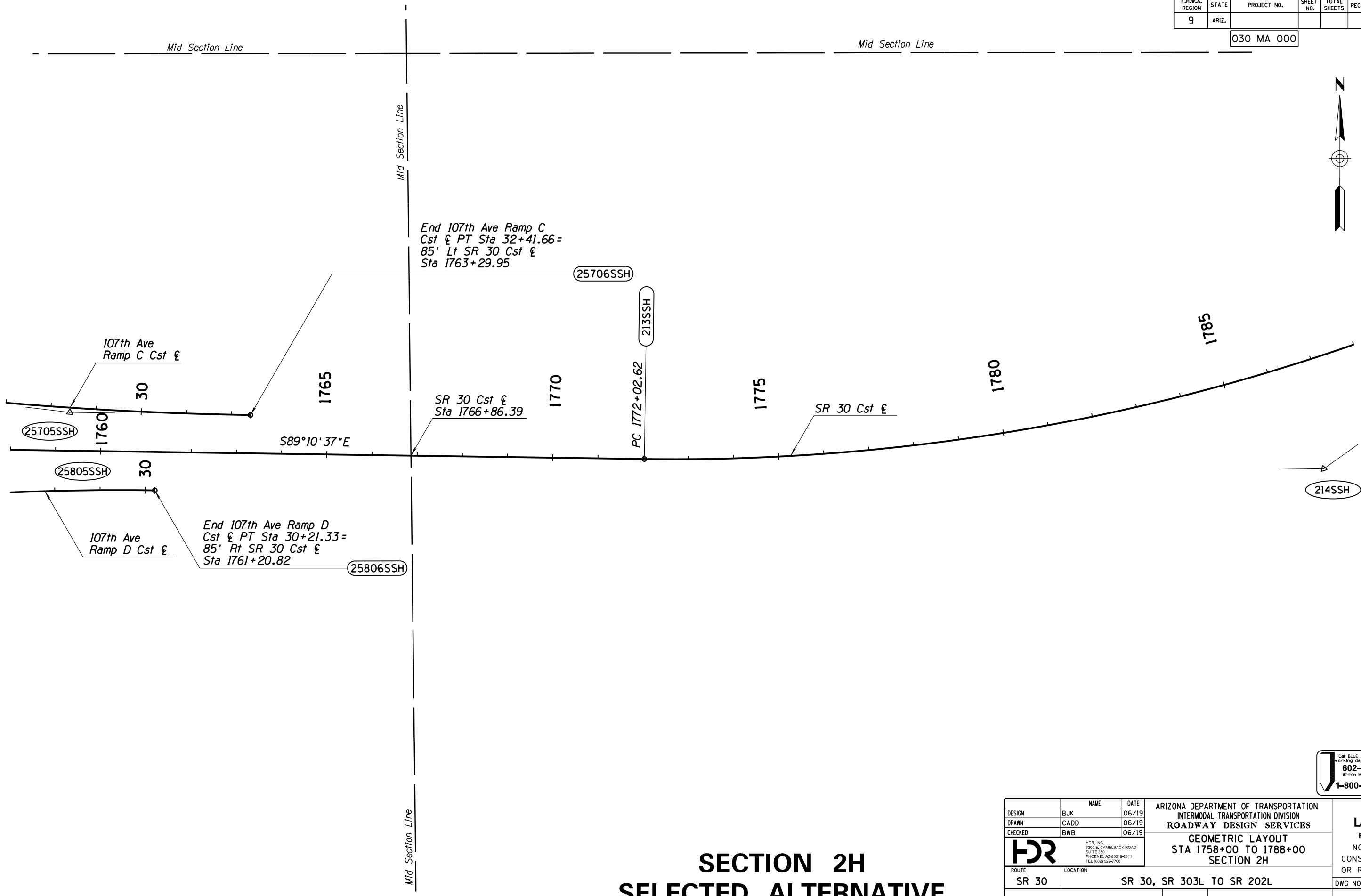


F.H.W.A. REGION	STATE	PROJECT NO.	SHEET NO.	TOTAL SHEETS	RECORD DRAWING
9	ARIZ.				

030 MA 000



DATE- LOCATION- REVISIONS- FINISHED PLANS- SURVEY NO. DATE- LOCATION- REVISIONS- FINISHED PLANS- SURVEY NO.



## SECTION 2H SELECTED ALTERNATIVE

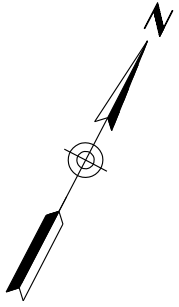
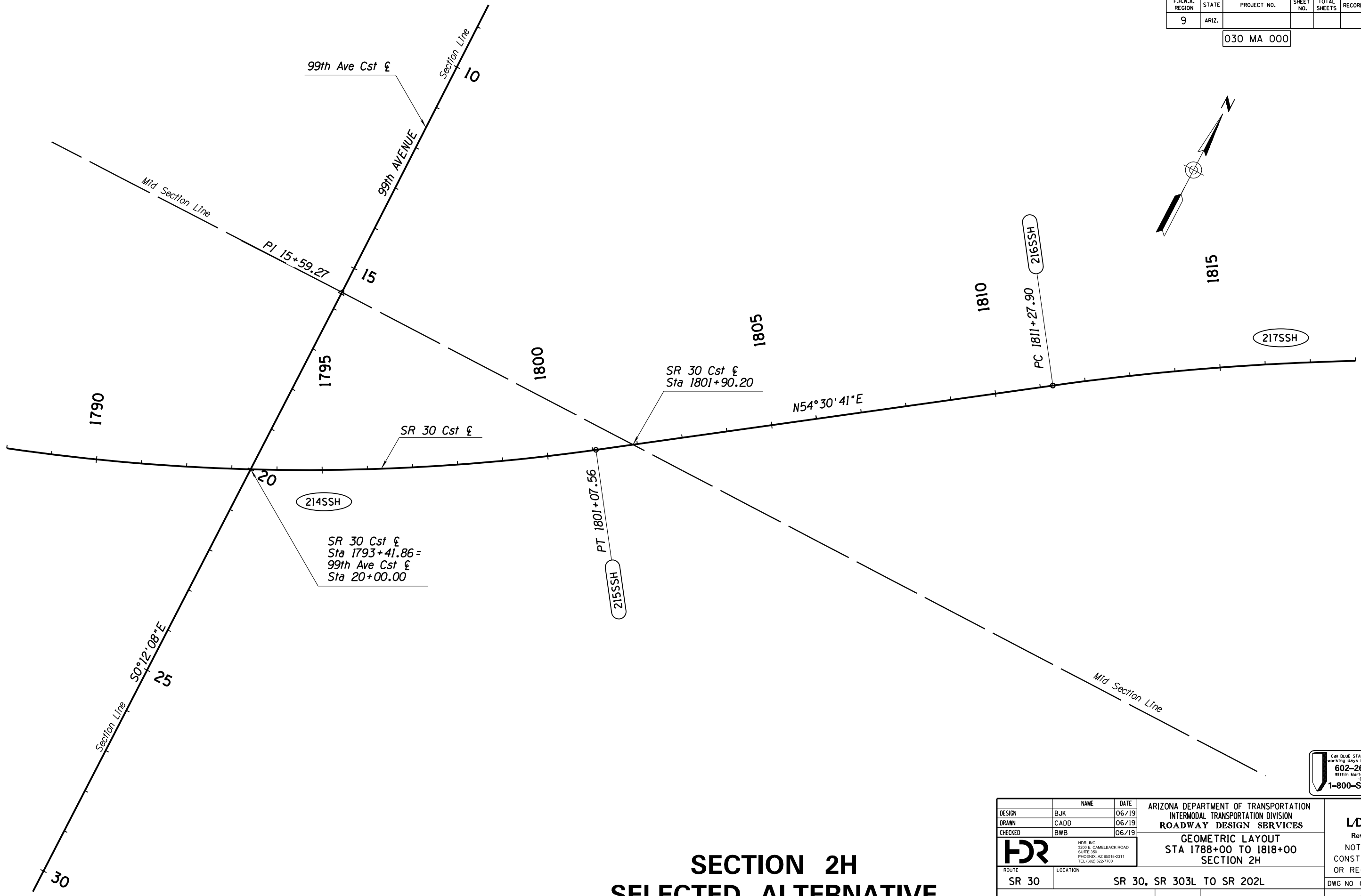
CALL BLUE STAKE CENTER two working days before you dig.  
**602-263-1100**  
 Within Maricopa County OR  
**1-800-STAKE-IT**  
(782-5348)

DESIGN	BJK	DATE	06/19	ARIZONA DEPARTMENT OF TRANSPORTATION INTERMODAL TRANSPORTATION DIVISION ROADWAY DESIGN SERVICES	<b>LDCR</b> Review NOT FOR CONSTRUCTION OR RECORDING
DRAWN	CADD	DATE	06/19		
CHECKED	BWB	DATE	06/19		
<b>HDR</b>		HDR, INC. 3200 E. CAMELBACK ROAD SUITE 300 PHOENIX, AZ 85018-2311 TEL (602) 922-7700		GEOMETRIC LAYOUT STA 1758+00 TO 1788+00 SECTION 2H	DWG NO C-02.36
ROUTE	SR 30	LOCATION	SR 30, SR 303L TO SR 202L		
TRACS NO.	H6876 OIL				OF

F.H.W.A. REGION	STATE	PROJECT NO.	SHEET NO.	TOTAL SHEETS	RECORD DRAWING
9	ARIZ.				

030 MA 000

DATE- LOCATION- REVISIONS- FINISHED PLANS- SURVEY NO. DATE- LOCATION- REVISIONS- FINISHED PLANS- SURVEY NO.



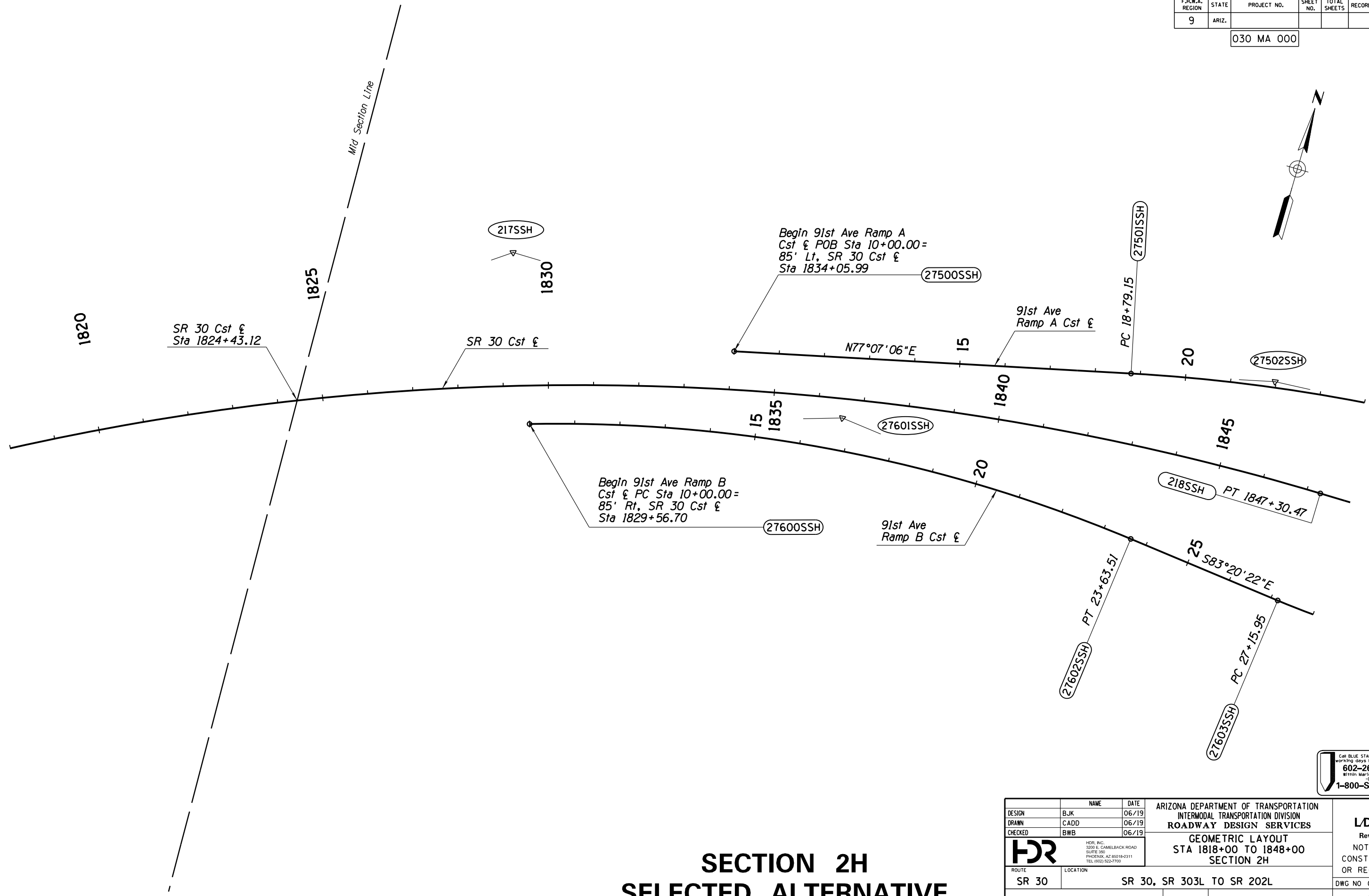
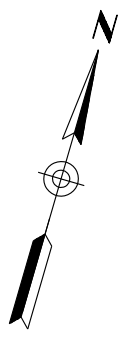
# SECTION 2H SELECTED ALTERNATIVE

DESIGN	BJK	DATE	06/19	ARIZONA DEPARTMENT OF TRANSPORTATION INTERMODAL TRANSPORTATION DIVISION ROADWAY DESIGN SERVICES	<b>LDCR</b> Review NOT FOR CONSTRUCTION OR RECORDING
DRAWN	CADD	DATE	06/19		
CHECKED	BWB	DATE	06/19		
<b>HR</b>		HR, INC. 3200 E. CAMELBACK ROAD SUITE 300 PHOENIX, AZ 85018-2311 TEL (602) 922-7700		<b>GEOMETRIC LAYOUT</b> STA 1788+00 TO 1818+00 SECTION 2H	
ROUTE	SR 30	LOCATION	SR 30, SR 303L TO SR 202L	DWG NO C-02.37	
TRACS NO.	H6876 OIL	OF			

Call BLUE STAKE CENTER two working days before you dig.  
**602-263-1100**  
Within Maricopa County OR  
**1-800-STAKE-IT**  
(782-5348)

F.H.W.A. REGION	STATE	PROJECT NO.	SHEET NO.	TOTAL SHEETS	RECORD DRAWING
9	ARIZ.				

030 MA 000



SURVEY NO. FINISHED PLANS- REVISIONS- LOCATION- DATE- SURVEY NO. FINISHED PLANS- REVISIONS- LOCATION- DATE- SURVEY NO. FINISHED PLANS- REVISIONS- LOCATION- DATE-

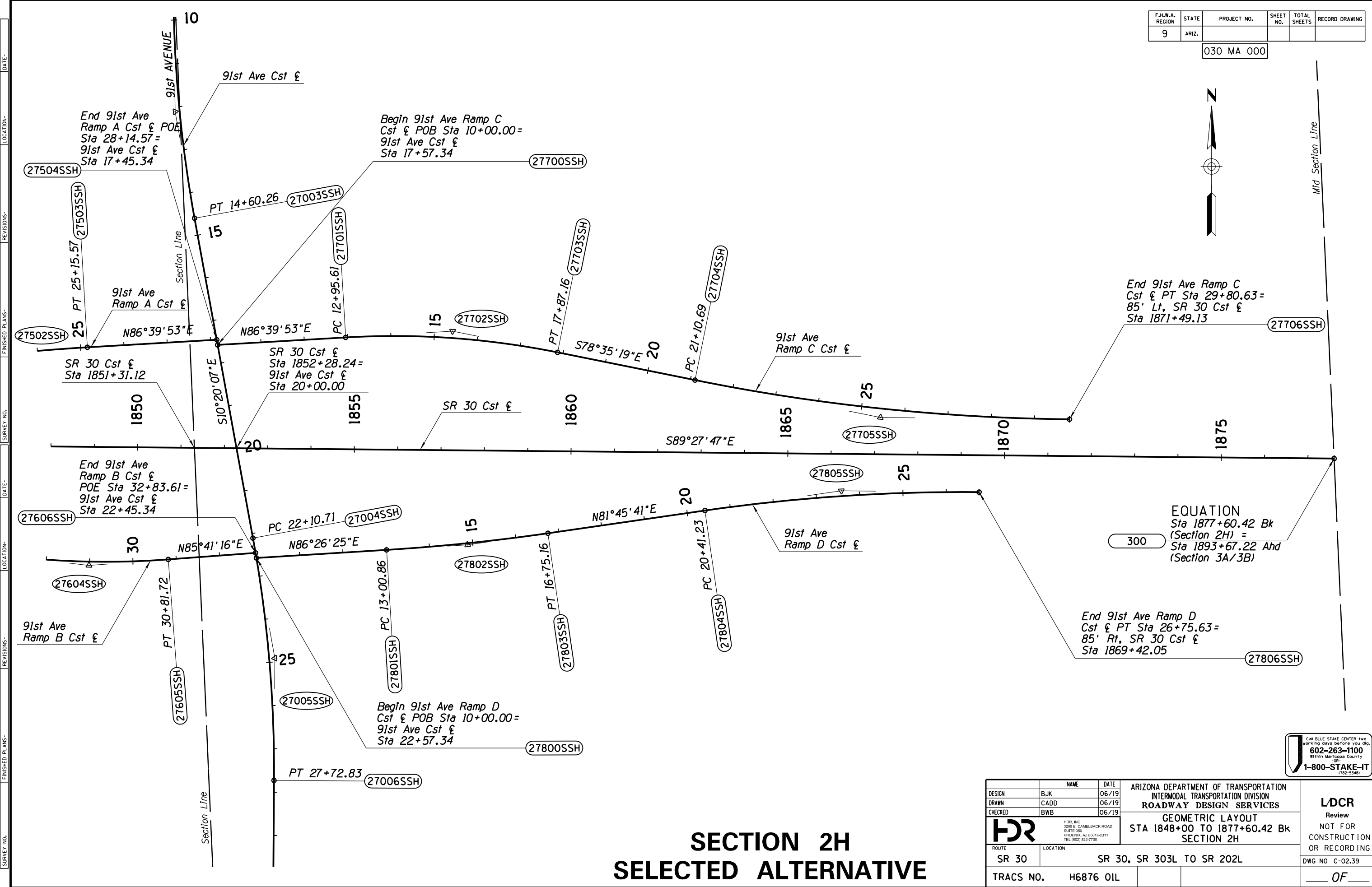
## SECTION 2H SELECTED ALTERNATIVE

Call BLUE STAKE CENTER two  
 working days before you dig.  
**602-263-1100**  
 Within Maricopa County  
 OR  
**1-800-STAKE-IT**  
(782-5348)

DESIGN	NAME	DATE	ARIZONA DEPARTMENT OF TRANSPORTATION INTERMODAL TRANSPORTATION DIVISION <b>ROADWAY DESIGN SERVICES</b>  <b>GEOMETRIC LAYOUT</b> STA 1818+00 TO 1848+00 SECTION 2H	<b>LDCR</b> Review NOT FOR CONSTRUCTION OR RECORDING
DRAWN	BJK	06/19		
CHECKED	CADD	06/19		
CHECKED	BWB	06/19		
<small>HDR, INC. 3200 E. CAMELBACK ROAD SUITE 300 PHOENIX, AZ 85018-2311 TEL (602) 922-7700</small>		ROUTE: SR 30      LOCATION: SR 30, SR 303L TO SR 202L		DWG NO C-02.38
TRACS NO.	H6876 OIL			OF

F.H.W.A. REGION	STATE	PROJECT NO.	SHEET NO.	TOTAL SHEETS	RECORD DRAWING
9	ARIZ.				

030 MA 000



SURVEY NO. FINISHED PLANS- REVISIONS- LOCATION- DATE- FINISHED PLANS- REVISIONS- LOCATION- DATE- SURVEY NO.

## SECTION 2H SELECTED ALTERNATIVE

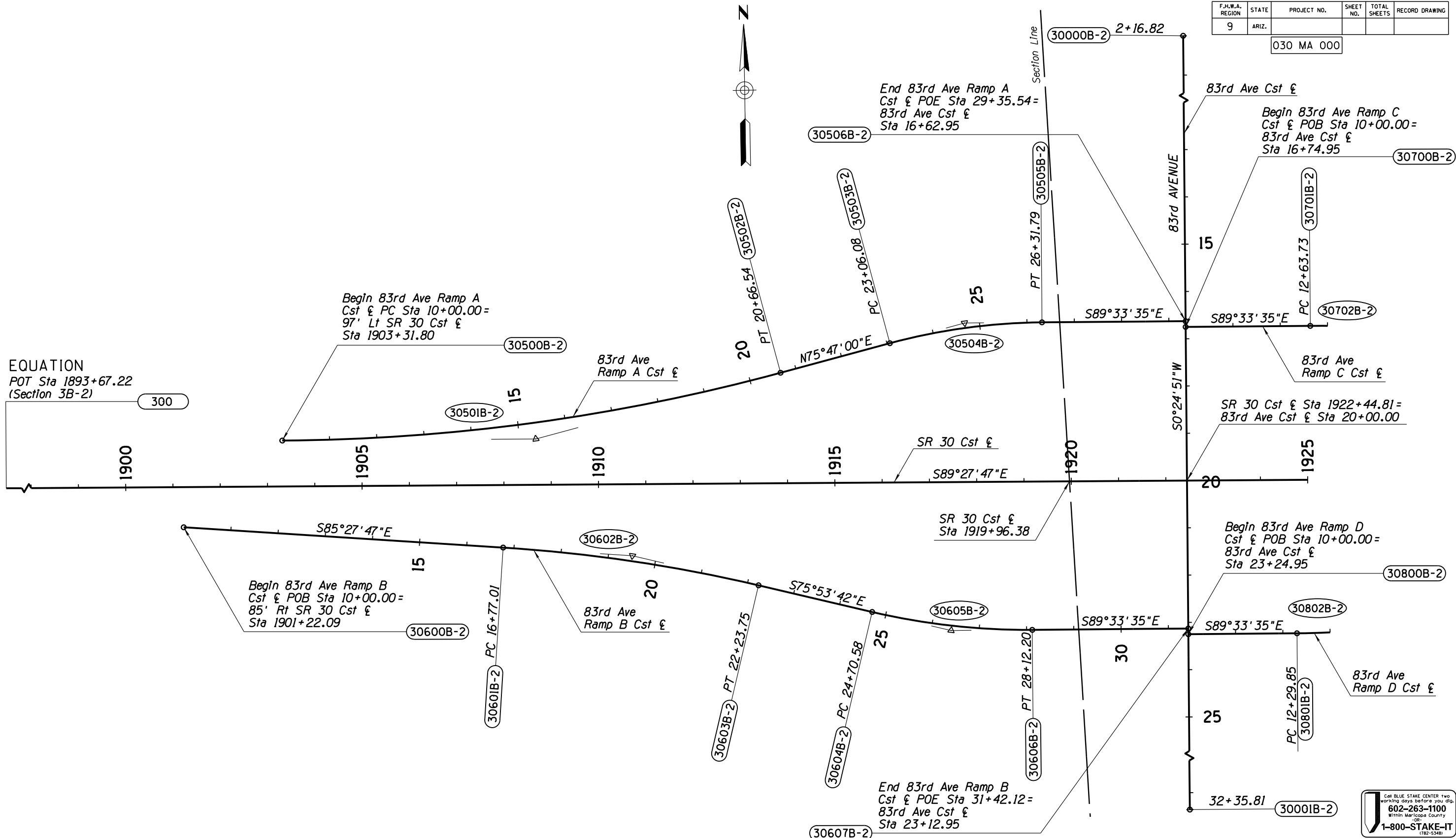
DESIGN	NAME	DATE	ARIZONA DEPARTMENT OF TRANSPORTATION INTERMODAL TRANSPORTATION DIVISION <b>ROADWAY DESIGN SERVICES</b> <b>GEOMETRIC LAYOUT</b> <b>STA 1848+00 TO 1877+60.42 Bk</b> <b>SECTION 2H</b>	<b>LDCR</b> Review NOT FOR CONSTRUCTION OR RECORDING DWG NO C-02.39 OF
DRAWN	BJK	06/19		
CHECKED	CADD	06/19		
ROUTE		SR 30		
LOCATION		SR 30, SR 303L TO SR 202L		
TRACS NO.		H6876 OIL		

Call BLUE STAKE CENTER two  
 working days before you dig.  
**602-263-1100**  
 Within Maricopa County  
 OR  
**1-800-STAKE-IT**  
 (782-5348)

F.H.W.A. REGION	STATE	PROJECT NO.	SHEET NO.	TOTAL SHEETS	RECORD DRAWING
9	ARIZ.				

030 MA 000

SURVEY NO. FINISHED PLANS- REVISIONS- LOCATION- DATE- FINISHED PLANS- REVISIONS- LOCATION- DATE- SURVEY NO.



## SECTION 3B-2 SELECTED ALTERNATIVE

DESIGN	BJK	DATE	06/19
DRAWN	CADD	DATE	06/19
CHECKED	BWB	DATE	06/19

ARIZONA DEPARTMENT OF TRANSPORTATION  
 INTERMODAL TRANSPORTATION DIVISION  
 ROADWAY DESIGN SERVICES  
**GEOMETRIC LAYOUT**  
 STA 1898+00 TO 1925+00  
 SECTION 3B-2

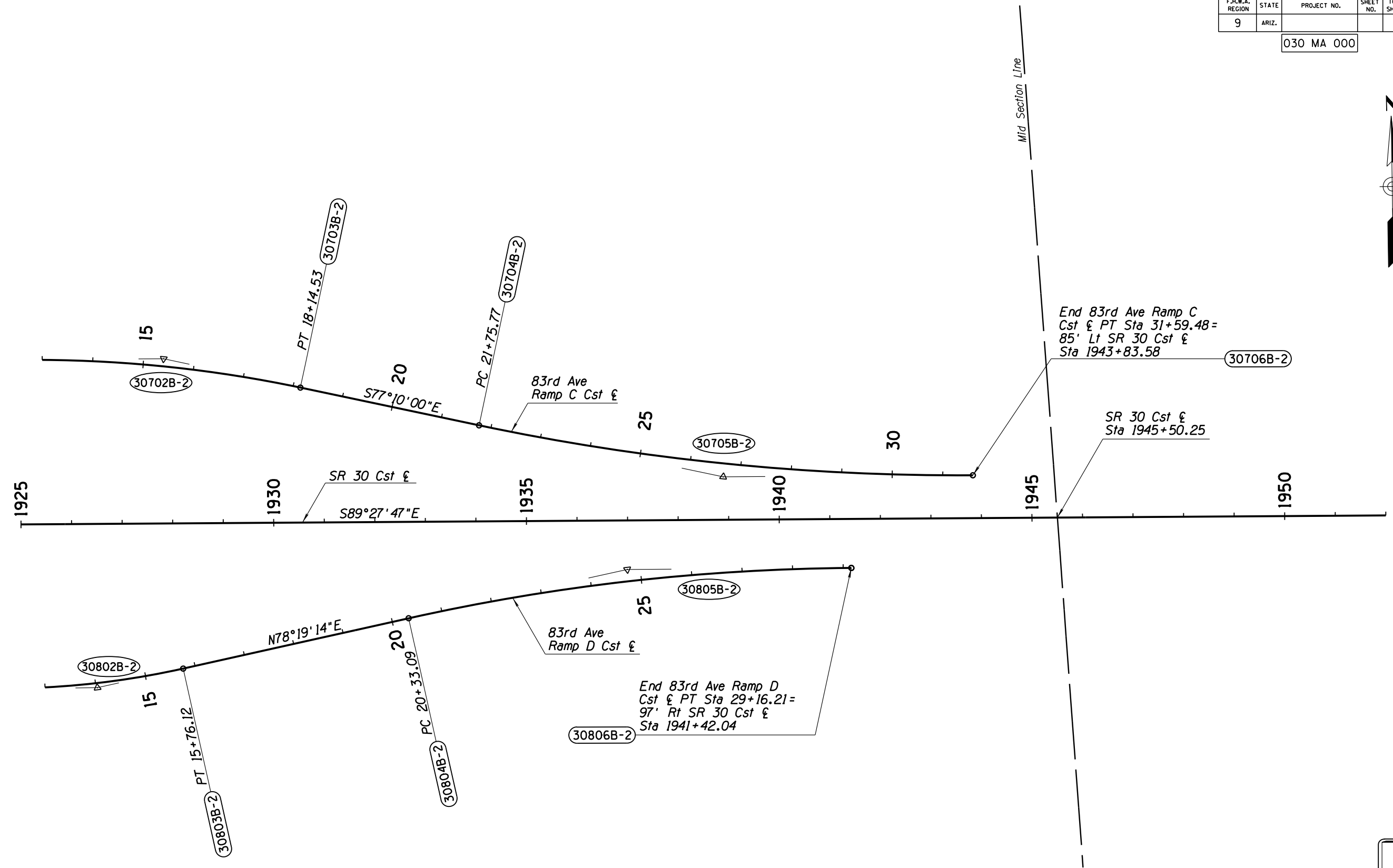
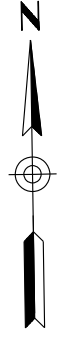
Call BLUE STAKE CENTER two  
 working days before you dig.  
**602-263-1100**  
 Within Maricopa County  
 OR  
**1-800-STAKE-IT**  
(782-5348)

**LDCR**  
 Review  
 NOT FOR  
 CONSTRUCTION  
 OR RECORDING  
 DWG NO C-02,40  
 OF

ROUTE	SR 30	LOCATION	SR 30, SR 303L TO SR 202L
TRACS NO.	H6876 OIL		

F.H.W.A. REGION	STATE	PROJECT NO.	SHEET NO.	TOTAL SHEETS	RECORD DRAWING
9	ARIZ.				

030 MA 000



SURVEY NO. FINISHED PLANS- REVISIONS- LOCATION- DATE- FINISHED PLANS- REVISIONS- LOCATION- DATE- SURVEY NO.

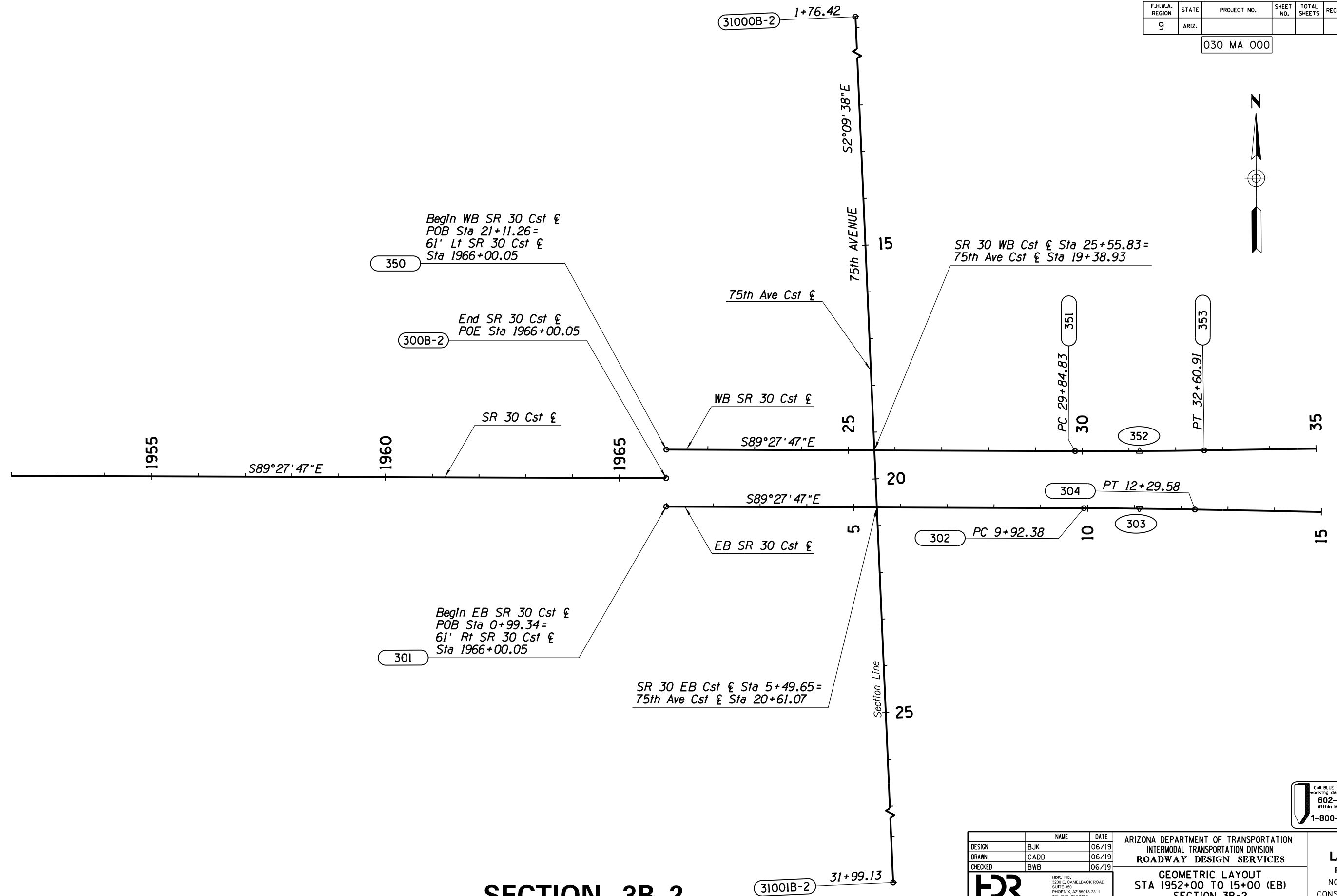
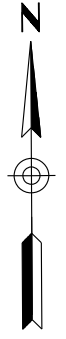
## SECTION 3B-2 SELECTED ALTERNATIVE

DESIGN	NAME	DATE	ARIZONA DEPARTMENT OF TRANSPORTATION INTERMODAL TRANSPORTATION DIVISION <b>ROADWAY DESIGN SERVICES</b>	<b>LDCR</b> Review NOT FOR CONSTRUCTION OR RECORDING
DRAWN	BJK	06/19		
CHECKED	CADD	06/19		
HDR, INC. 3200 E. CAMELBACK ROAD SUITE 300 PHOENIX, AZ 85018-2311 TEL: (602) 922-7700			<b>GEOMETRIC LAYOUT</b> STA 1925+00 TO 1952+00 <b>SECTION 3B-2</b>	DWG NO C-02.41
ROUTE	SR 30	LOCATION	SR 30, SR 303L TO SR 202L	OF
TRACS NO.	H6876 OIL			

Call BLUE STAKE CENTER two working days before you dig.  
**602-263-1100**  
 Within Maricopa County OR  
**1-800-STAKE-IT**  
 (782-5348)


F.H.W.A. REGION	STATE	PROJECT NO.	SHEET NO.	TOTAL SHEETS	RECORD DRAWING
9	ARIZ.				

030 MA 000



## SECTION 3B-2 SELECTED ALTERNATIVE

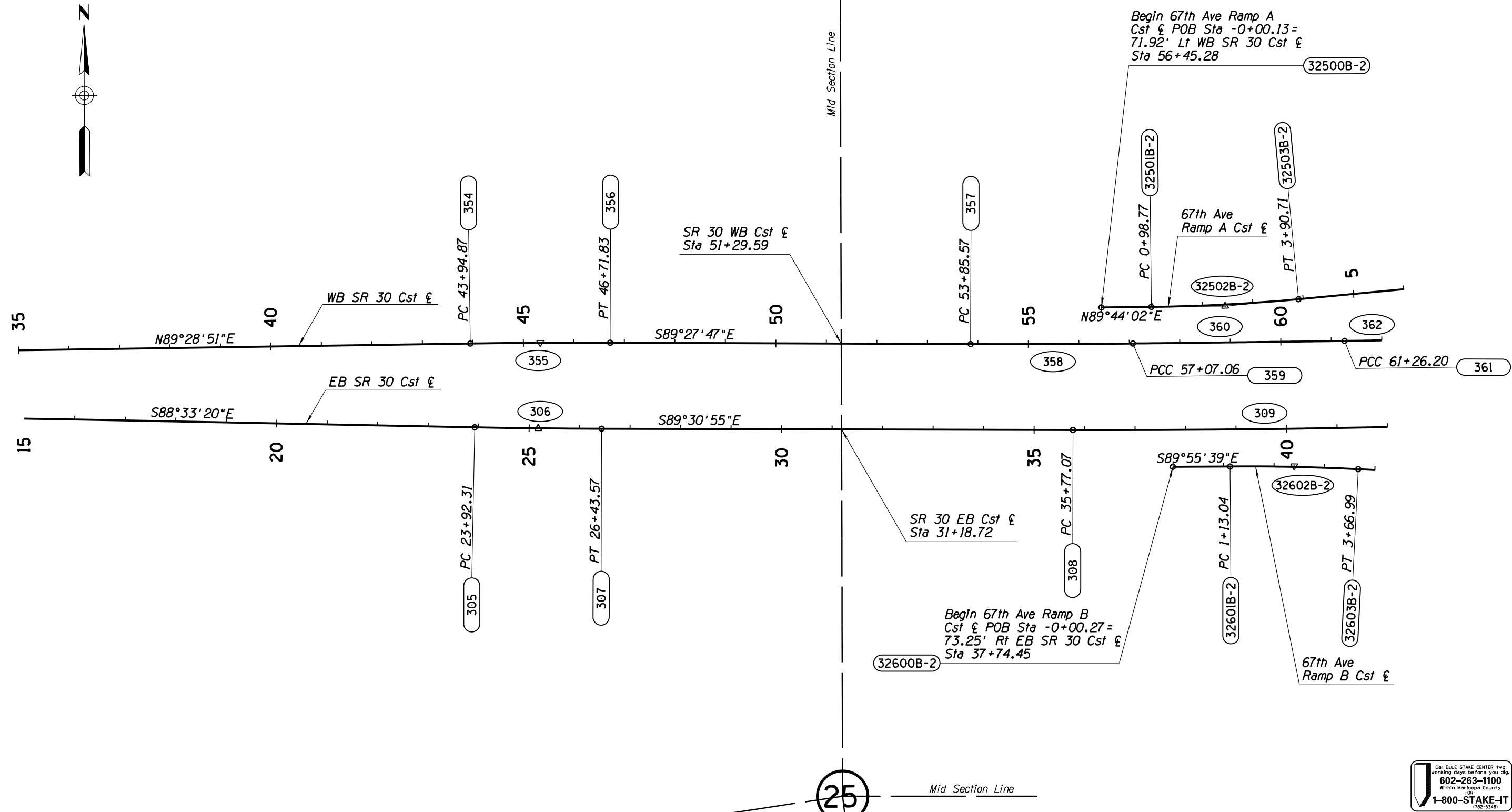
Call BLUE STAKE CENTER two working days before you dig.  
**602-263-1100**  
 Within Maricopa County  
 OR  
**1-800-STAKE-IT**  
 (782-5348)

DESIGN	NAME	DATE	ARIZONA DEPARTMENT OF TRANSPORTATION INTERMODAL TRANSPORTATION DIVISION ROADWAY DESIGN SERVICES	<b>LDCR</b> Review NOT FOR CONSTRUCTION OR RECORDING
DRAWN	BJK	06/19		
CHECKED	BWB	06/19		
 HDR, INC. 3200 E. CAMELBACK ROAD SUITE 300 PHOENIX, AZ 85018-2311 TEL: (602) 922-7700			<b>GEOMETRIC LAYOUT</b> <b>STA 1952+00 TO 15+00 (EB)</b> <b>SECTION 3B-2</b>	
ROUTE	SR 30	LOCATION	SR 30, SR 303L TO SR 202L	DWG NO C-02.42
TRACS NO.	H6876 OIL			OF

SURVEY NO. | FINISHED PLANS- | DATE- | REVISIONS- | FINISHED PLANS- | DATE- | REVISIONS- | LOCATION- | DATE-

F.H.W.A. REGION	STATE	PROJECT NO.	SHEET NO.	TOTAL SHEETS	RECORD DRAWING
9	ARIZ.				

030 MA 000



# SECTION 3B-2 SELECTED ALTERNATIVE

DESIGN	BJK	DATE	06/19	ARIZONA DEPARTMENT OF TRANSPORTATION INTERMODAL TRANSPORTATION DIVISION ROADWAY DESIGN SERVICES	<b>LDCR</b> Review NOT FOR CONSTRUCTION OR RECORDING
DRAWN	CADD	DATE	06/19		
CHECKED	BWB	DATE	06/19		
<b>HR</b>		HR, INC. 3200 E. GAMBELBACK ROAD SUITE 300 PHOENIX, AZ 85018-2311 TEL: (602) 922-7700		GEOMETRIC LAYOUT STA 15+00 (EB) TO 42+00 (EB) SECTION 3B-2	
ROUTE	SR 30	LOCATION	SR 30, SR 303L TO SR 202L		
TRACS NO.	H6876 OIL		DWG NO C-02.43 OF		

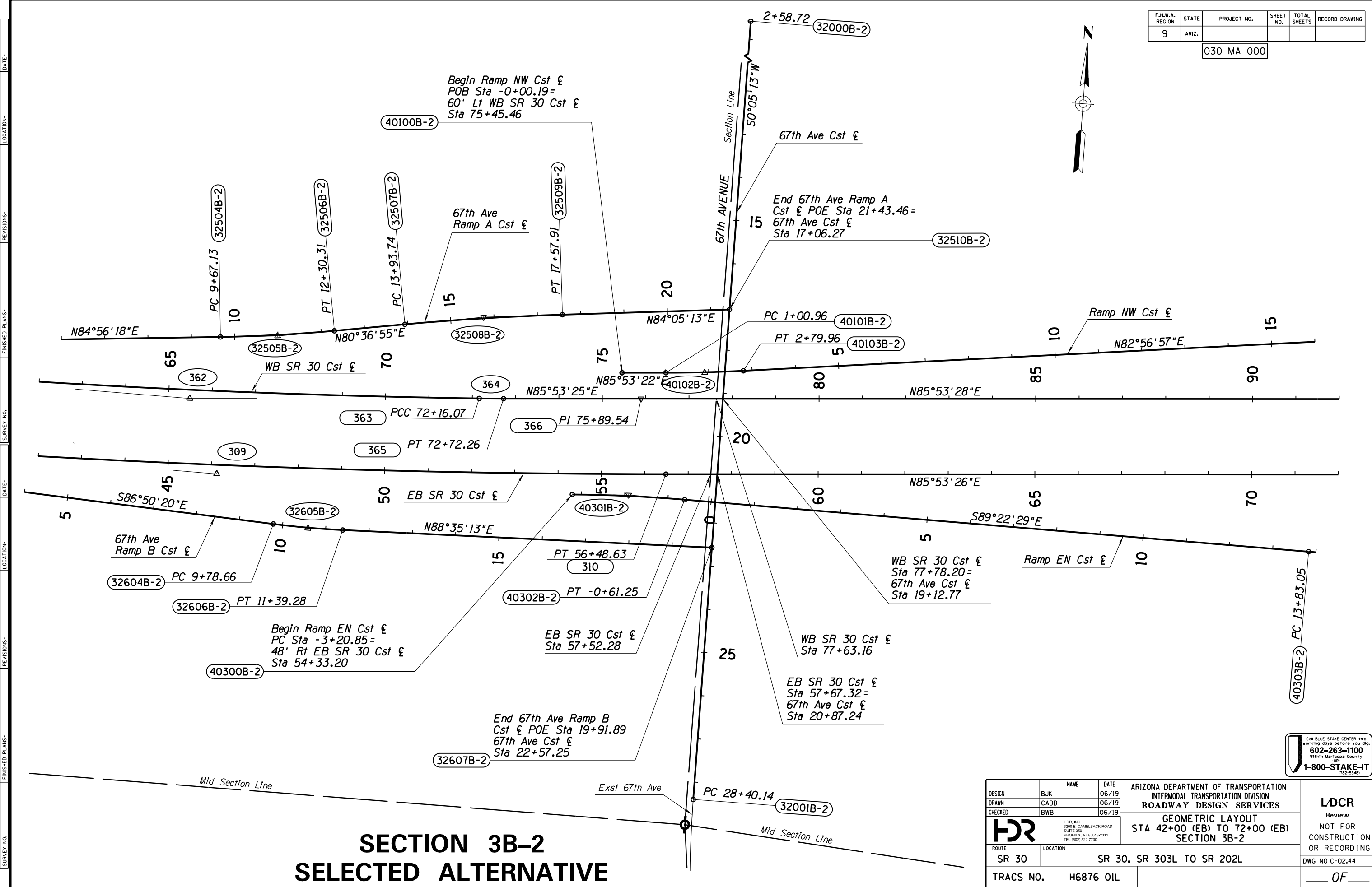
Call BLUE STAKE CENTER two working days before you dig.  
602-263-1100  
Within Maricopa County  
OR  
1-800-STAKE-IT  
(782-5348)

SURVEY NO. FINISHED PLANS- LOCATION- DATE- REVISIONS- FINISHED PLANS- LOCATION- DATE- REVISIONS- FINISHED PLANS- LOCATION- DATE-



F.H.W.A. REGION	STATE	PROJECT NO.	SHEET NO.	TOTAL SHEETS	RECORD DRAWING
9	ARIZ.				

030 MA 000



## SECTION 3B-2 SELECTED ALTERNATIVE

DESIGN	NAME	DATE	ARIZONA DEPARTMENT OF TRANSPORTATION INTERMODAL TRANSPORTATION DIVISION ROADWAY DESIGN SERVICES	LDCR Review NOT FOR CONSTRUCTION OR RECORDING DWG NO C-02.44
DRAWN	BJK	06/19		
CHECKED	CADD	06/19		
	BWB	06/19	<b>GEOMETRIC LAYOUT</b> STA 42+00 (EB) TO 72+00 (EB) SECTION 3B-2	
ROUTE	SR 30	LOCATION		SR 30, SR 303L TO SR 202L
TRACS NO. H6876 OIL				OF

Call BLUE STAKE CENTER two working days before you dig.  
**602-263-1100**  
 Within Maricopa County  
 OR  
**1-800-STAKE-IT**  
 (782-5348)

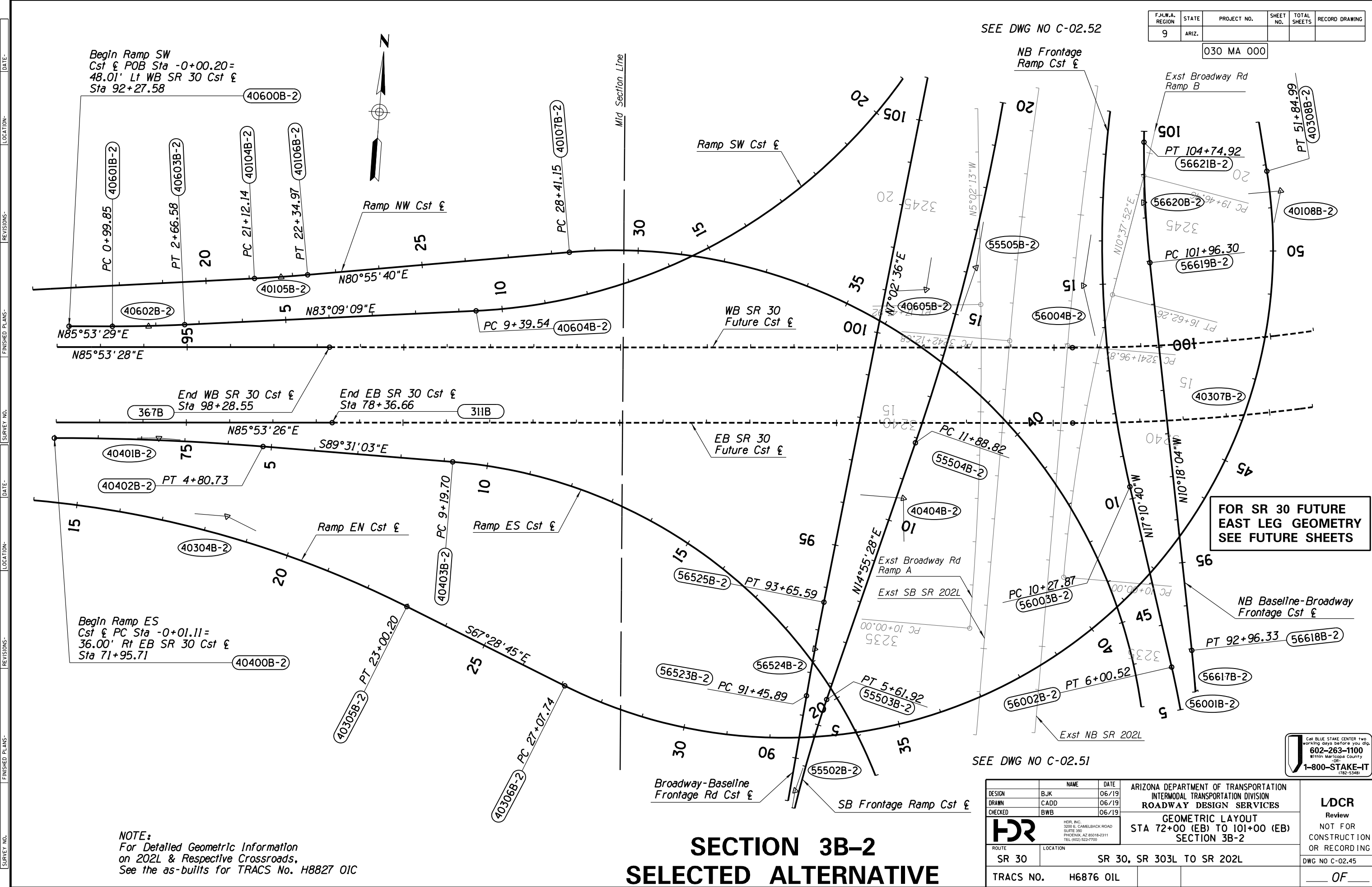
SURVEY NO. FINISHED PLANS- REVISIONS- LOCATION- DATE- FINISHED PLANS- REVISIONS- LOCATION- DATE- SURVEY NO.

F.H.W.A. REGION	STATE	PROJECT NO.	SHEET NO.	TOTAL SHEETS	RECORD DRAWING
9	ARIZ.				

030 MA 000

SEE DWG NO C-02.52

SEE DWG NO C-02.51



Begin Ramp SW  
Cst & POB Sta -0+00.20=  
48.01' Lt WB SR 30 Cst &  
Sta 92+27.58

End WB SR 30 Cst &  
Sta 98+28.55

End EB SR 30 Cst &  
Sta 78+36.66

Begin Ramp ES  
Cst & PC Sta -0+01.11=  
36.00' Rt EB SR 30 Cst &  
Sta 71+95.71

FOR SR 30 FUTURE  
EAST LEG GEOMETRY  
SEE FUTURE SHEETS

**NOTE:**  
For Detailed Geometric Information  
on 202L & Respective Crossroads,  
See the as-builts for TRACS No. H8827 01C

## SECTION 3B-2 SELECTED ALTERNATIVE

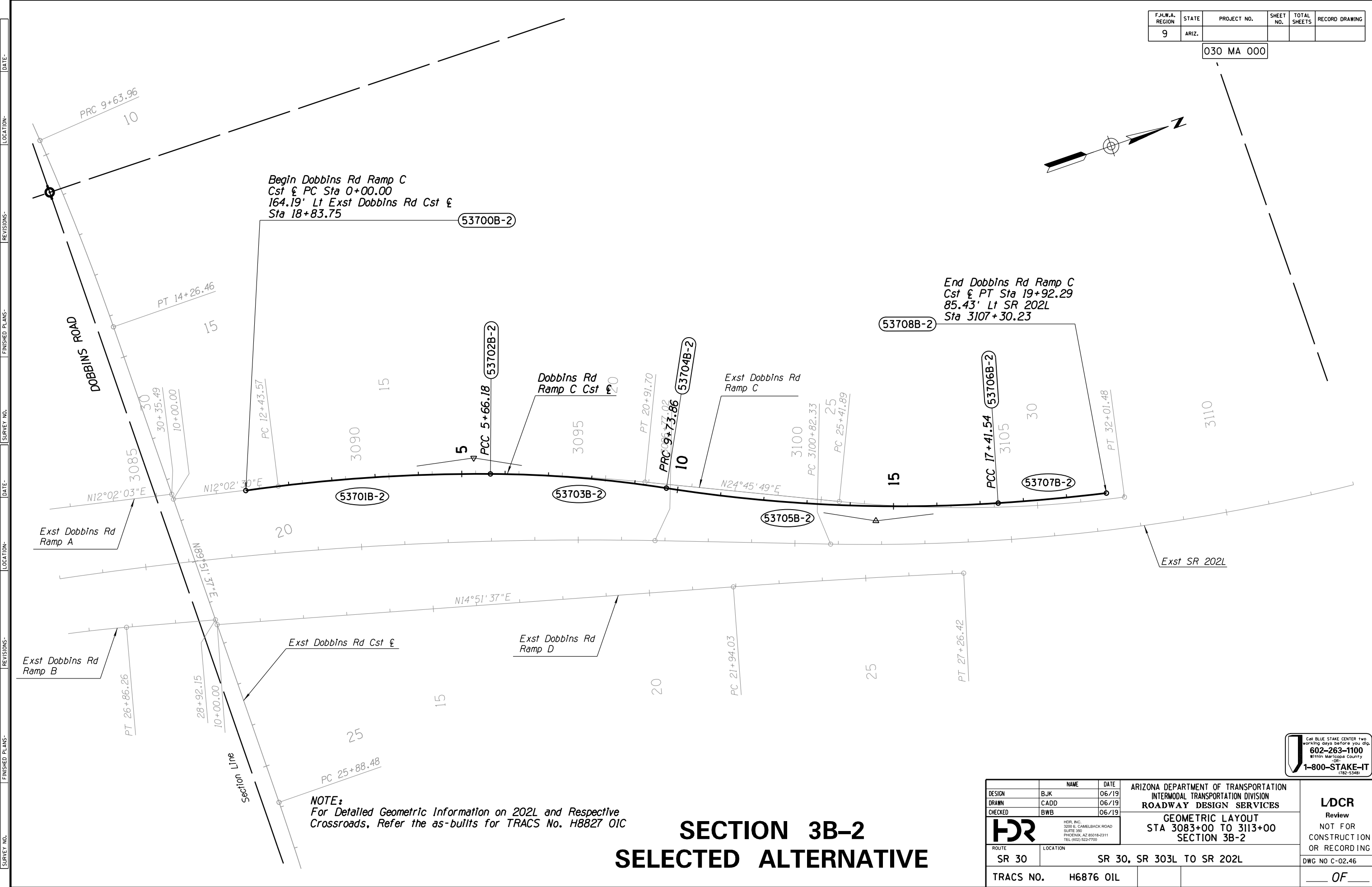
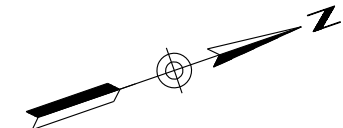
DESIGN	BJK	DATE	06/19	ARIZONA DEPARTMENT OF TRANSPORTATION INTERMODAL TRANSPORTATION DIVISION ROADWAY DESIGN SERVICES	<b>LDCR</b> Review NOT FOR CONSTRUCTION OR RECORDING
DRAWN	CADD	DATE	06/19		
CHECKED	BWB	DATE	06/19		
<b>HR</b>		<small>HOR, INC. 3200 E. GAMBELBACK ROAD SUITE 300 PHOENIX, AZ 85018-2311 TEL: (602) 922-7700</small>		<b>GEOMETRIC LAYOUT</b> STA 72+00 (EB) TO 101+00 (EB) SECTION 3B-2	
ROUTE	SR 30	LOCATION	SR 30, SR 303L TO SR 202L	DWG NO C-02.45	
TRACS NO.	H6876 OIL			OF	

CALL BLUE STAKE CENTER two  
working days before you dig.  
602-263-1100  
Within Maricopa County  
OR  
1-800-STAKE-IT  
(782-5348)

SURVEY NO. FINISHED PLANS- LOCATION- DATE- REVISIONS- FINISHED PLANS- LOCATION- DATE- REVISIONS- FINISHED PLANS- LOCATION- DATE- REVISIONS-

F.H.W.A. REGION	STATE	PROJECT NO.	SHEET NO.	TOTAL SHEETS	RECORD DRAWING
9	ARIZ.				

030 MA 000



Begin Dobbins Rd Ramp C  
Cst & PC Sta 0+00.00  
164.19' Lt Exst Dobbins Rd Cst &  
Sta 18+83.75

End Dobbins Rd Ramp C  
Cst & PT Sta 19+92.29  
85.43' Lt SR 202L  
Sta 3107+30.23

**NOTE:**  
For Detailed Geometric Information on 202L and Respective  
Crossroads, Refer the as-builts for TRACS No. H8827 OIC

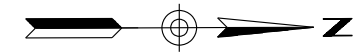
## SECTION 3B-2 SELECTED ALTERNATIVE

Call BLUE STAKE CENTER two  
working days before you dig.  
**602-263-1100**  
Within Maricopa County  
OR  
**1-800-STAKE-IT**  
(782-5348)

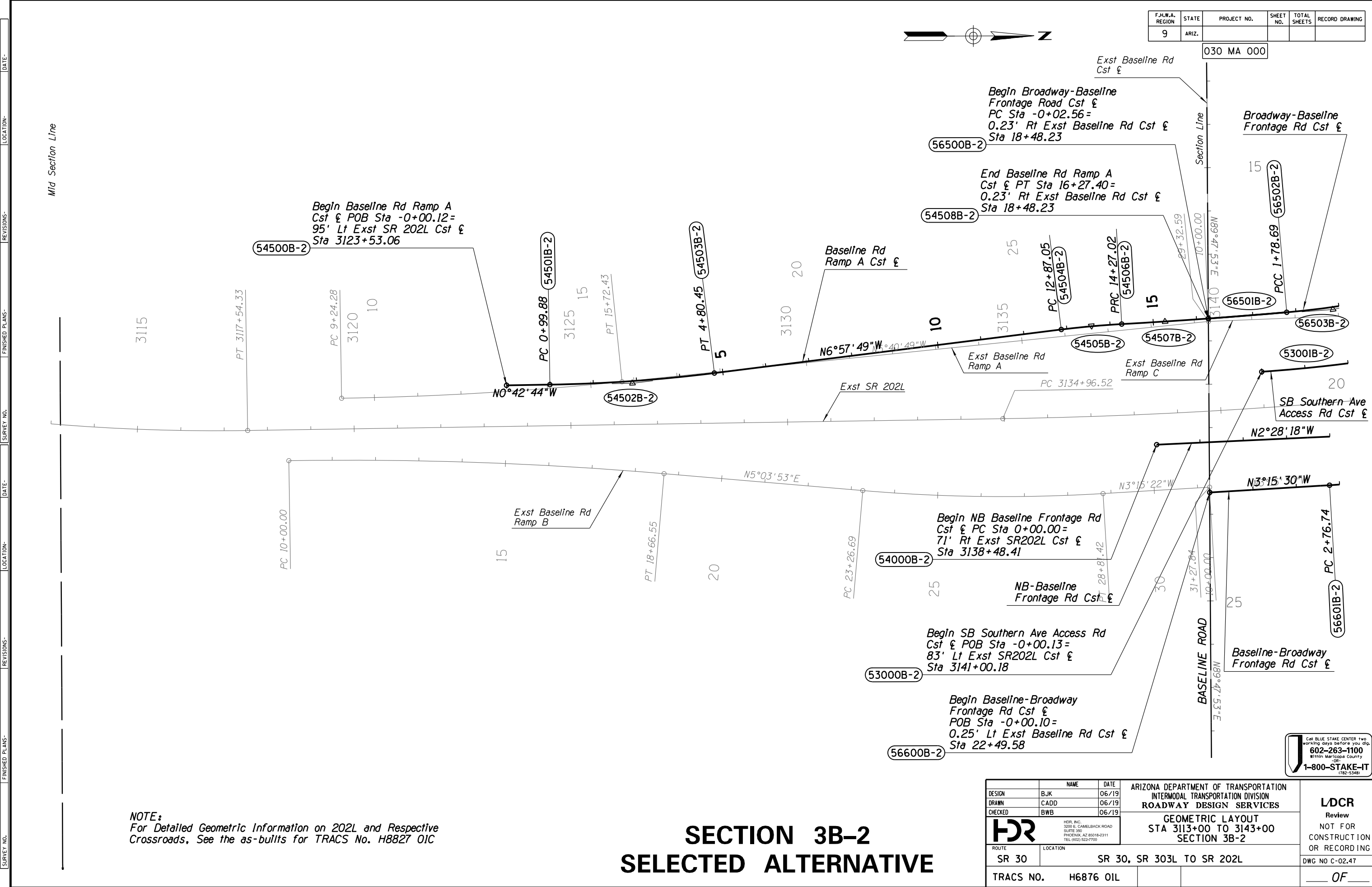
DESIGN	NAME	DATE	ARIZONA DEPARTMENT OF TRANSPORTATION INTERMODAL TRANSPORTATION DIVISION ROADWAY DESIGN SERVICES	<b>LDCR</b> Review NOT FOR CONSTRUCTION OR RECORDING
DRAWN	BJK	06/19		
CHECKED	CADD	06/19		
	BWB	06/19	<b>GEOMETRIC LAYOUT</b> STA 3083+00 TO 3113+00 SECTION 3B-2	DWG NO C-02,46
ROUTE	SR 30	LOCATION	SR 30, SR 303L TO SR 202L	TRACS NO. H6876 OIL
OF				

SURVEY NO. FINISHED PLANS- REVISIONS- DATE- LOCATION- FINISHED PLANS- REVISIONS- DATE- LOCATION- FINISHED PLANS- REVISIONS- DATE-

F.H.W.A. REGION	STATE	PROJECT NO.	SHEET NO.	TOTAL SHEETS	RECORD DRAWING
9	ARIZ.				



030 MA 000



**NOTE:**  
For Detailed Geometric Information on 202L and Respective Crossroads, See the as-builts for TRACS No. H8827 OIC

# SECTION 3B-2 SELECTED ALTERNATIVE

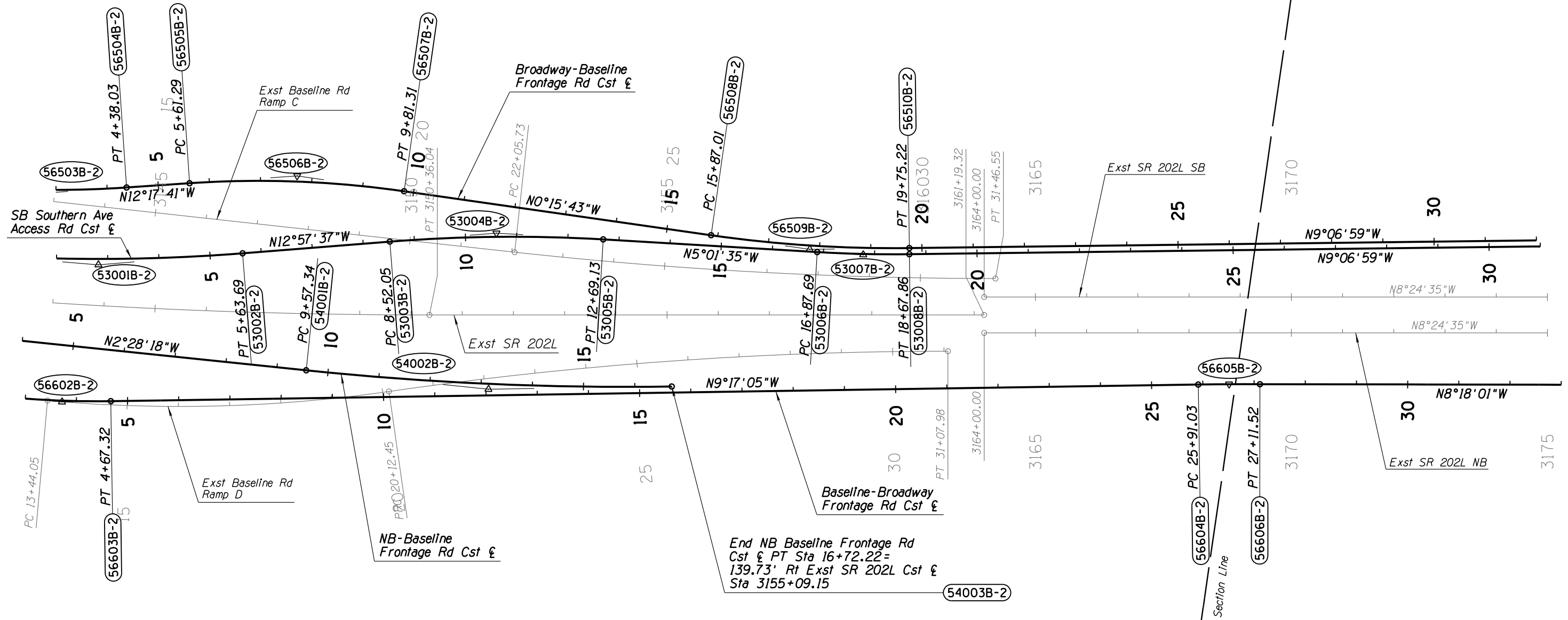
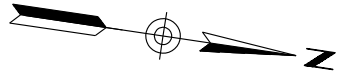
DESIGN	BJK	DATE	06/19	ARIZONA DEPARTMENT OF TRANSPORTATION INTERMODAL TRANSPORTATION DIVISION ROADWAY DESIGN SERVICES	<b>LDCR</b> Review NOT FOR CONSTRUCTION OR RECORDING
DRAWN	CADD	DATE	06/19		
CHECKED	BWB	DATE	06/19		
<b>HR</b>		<small>HOR, INC. 3200 E. CAMELBACK ROAD SUITE 300 PHOENIX, AZ 85018-2311 TEL (602) 922-7700</small>		<b>GEOMETRIC LAYOUT</b> <b>STA 3113+00 TO 3143+00</b> <b>SECTION 3B-2</b>	DWG NO C-02.47 OF
ROUTE	SR 30	LOCATION	SR 30, SR 303L TO SR 202L		
TRACS NO.	H6876 OIL				

CALL BLUE STAKE CENTER two working days before you dig.  
602-263-1100  
Within Maricopa County  
OR  
1-800-STAKE-IT  
(782-5348)

SURVEY NO. FINISHED PLANS- DATE- LOCATION- REVISIONS- DATE- FINISHED PLANS- LOCATION- REVISIONS- DATE-

F.H.W.A. REGION	STATE	PROJECT NO.	SHEET NO.	TOTAL SHEETS	RECORD DRAWING
9	ARIZ.				

030 MA 000



**NOTE:**  
For Detailed Geometric Information on 202L and Respective Crossroads, See the as-builts for TRACS No. H8827 OIC

## SECTION 3B-2 SELECTED ALTERNATIVE

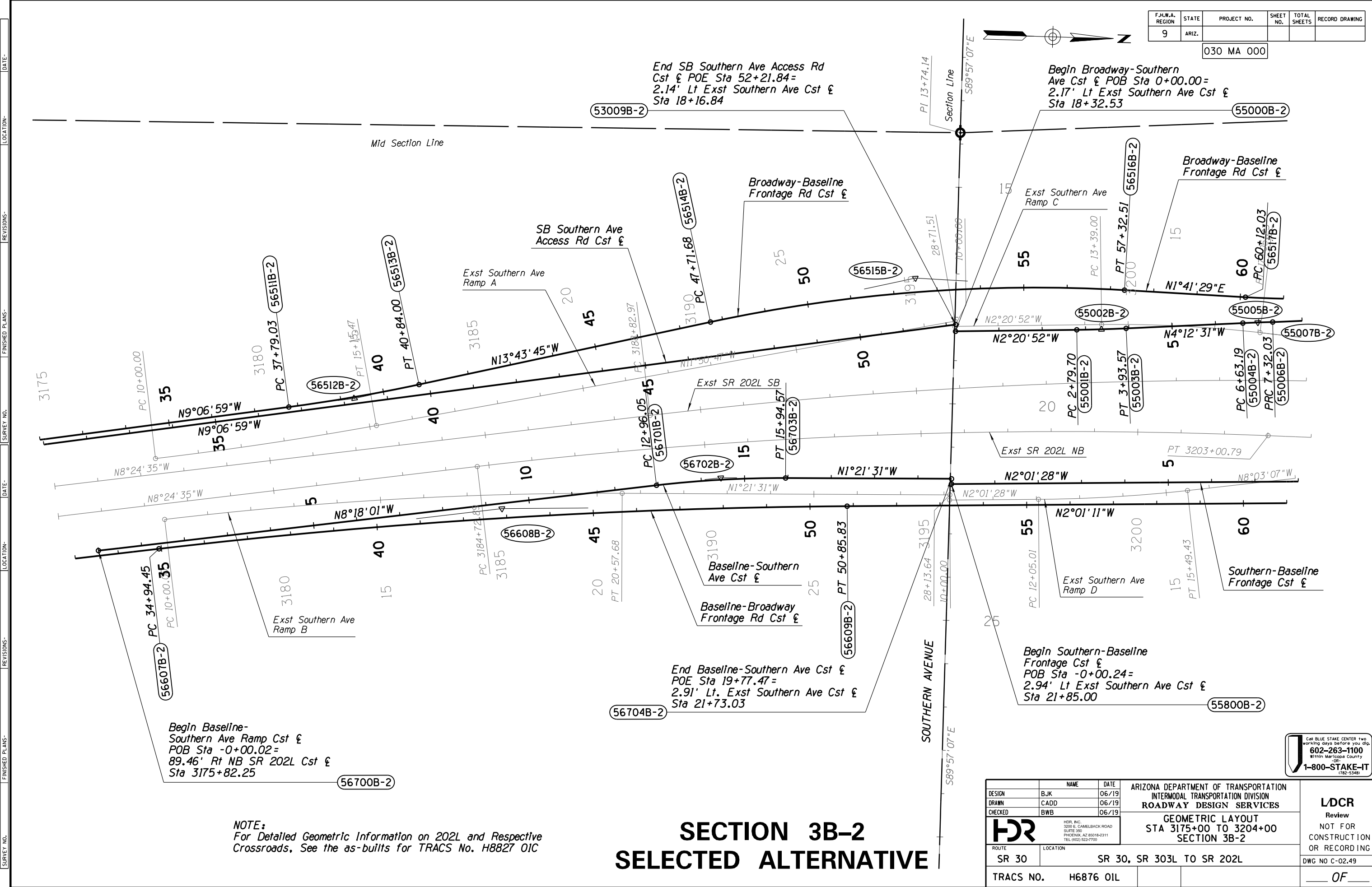
Call BLUE STAKE CENTER two working days before you dig.  
**602-263-1100**  
Within Maricopa County  
OR  
**1-800-STAKE-IT**  
(782-5348)

DESIGN	BJK	DATE	06/19	ARIZONA DEPARTMENT OF TRANSPORTATION INTERMODAL TRANSPORTATION DIVISION ROADWAY DESIGN SERVICES	<b>LDCR</b> Review NOT FOR CONSTRUCTION OR RECORDING
DRAWN	CADD	DATE	06/19		
CHECKED	BWB	DATE	06/19		
<b>HR</b>		<small>HR, INC. 3200 E. CAMELBACK ROAD SUITE 300 PHOENIX, AZ 85018-2311 TEL (602) 922-7700</small>		<b>GEOMETRIC LAYOUT</b> <b>STA 3143+00 TO 3175+00</b> <b>SECTION 3B-2</b>	
ROUTE	SR 30	LOCATION	SR 30, SR 303L TO SR 202L		DWG NO C-02,48
TRACS NO.	H6876 OIL				OF

SURVEY NO. FINISHED PLANS- REVISIONS- LOCATION- DATE- FINISHED PLANS- REVISIONS- LOCATION- DATE- FINISHED PLANS- REVISIONS- LOCATION- DATE-

F.H.W.A. REGION	STATE	PROJECT NO.	SHEET NO.	TOTAL SHEETS	RECORD DRAWING
9	ARIZ.				

030 MA 000



Begin Baseline-Southern Ave Ramp Cst &  
POB Sta -0+00.02=  
89.46' Rt NB SR 202L Cst &  
Sta 3175+82.25

End SB Southern Ave Access Rd  
Cst & POE Sta 52+21.84=  
2.14' Lt Exst Southern Ave Cst &  
Sta 18+16.84

Begin Broadway-Southern  
Ave Cst & POB Sta 0+00.00=  
2.17' Lt Exst Southern Ave Cst &  
Sta 18+32.53

End Baseline-Southern Ave Cst &  
POE Sta 19+77.47=  
2.91' Lt. Exst Southern Ave Cst &  
Sta 21+73.03

Begin Southern-Baseline  
Frontage Cst &  
POB Sta -0+00.24=  
2.94' Lt Exst Southern Ave Cst &  
Sta 21+85.00

**NOTE:**  
For Detailed Geometric Information on 202L and Respective  
Crossroads, See the as-builts for TRACS No. H8827 OIC

## SECTION 3B-2 SELECTED ALTERNATIVE

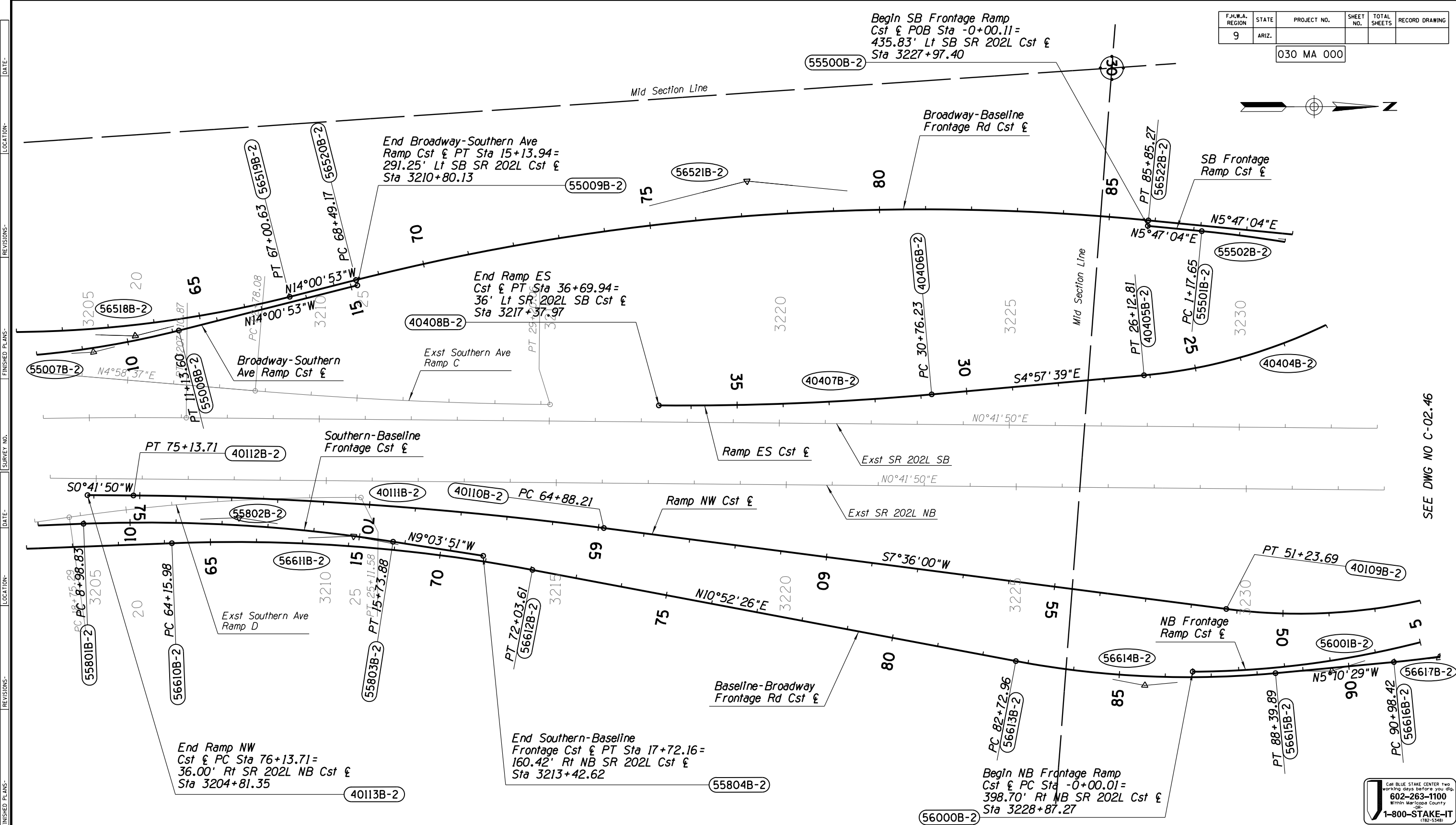
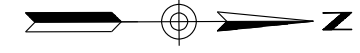
DESIGN	BJK	DATE	06/19	ARIZONA DEPARTMENT OF TRANSPORTATION INTERMODAL TRANSPORTATION DIVISION ROADWAY DESIGN SERVICES	<b>LDCR</b> Review NOT FOR CONSTRUCTION OR RECORDING DWG NO C-02,49
DRAWN	CADD	DATE	06/19		
CHECKED	BWB	DATE	06/19		
<b>HR</b>		<small>HDR, INC. 3200 E. CAMELBACK ROAD SUITE 300 PHOENIX, AZ 85018-2311 TEL: (602) 922-7700</small>		<b>GEOMETRIC LAYOUT</b> <b>STA 3175+00 TO 3204+00</b> <b>SECTION 3B-2</b>	
ROUTE	SR 30	LOCATION	SR 30, SR 303L TO SR 202L		
TRACS NO.	H6876 OIL				OF

CALL BLUE STAKE CENTER two  
working days before you dig.  
602-263-1100  
Within Maricopa County  
OR  
1-800-STAKE-IT  
(782-5348)

SURVEY NO. FINISHED PLANS- REVISIONS- DATE- LOCATION- FINISHED PLANS- REVISIONS- DATE- LOCATION- FINISHED PLANS- REVISIONS- DATE-

F.H.W.A. REGION	STATE	PROJECT NO.	SHEET NO.	TOTAL SHEETS	RECORD DRAWING
9	ARIZ.				

030 MA 000



SEE DWG NO C-02.46

**NOTE:**  
For Detailed Geometric Information on 202L and Respective Crossroads, See the as-builts for TRACS No. H8827 OIC

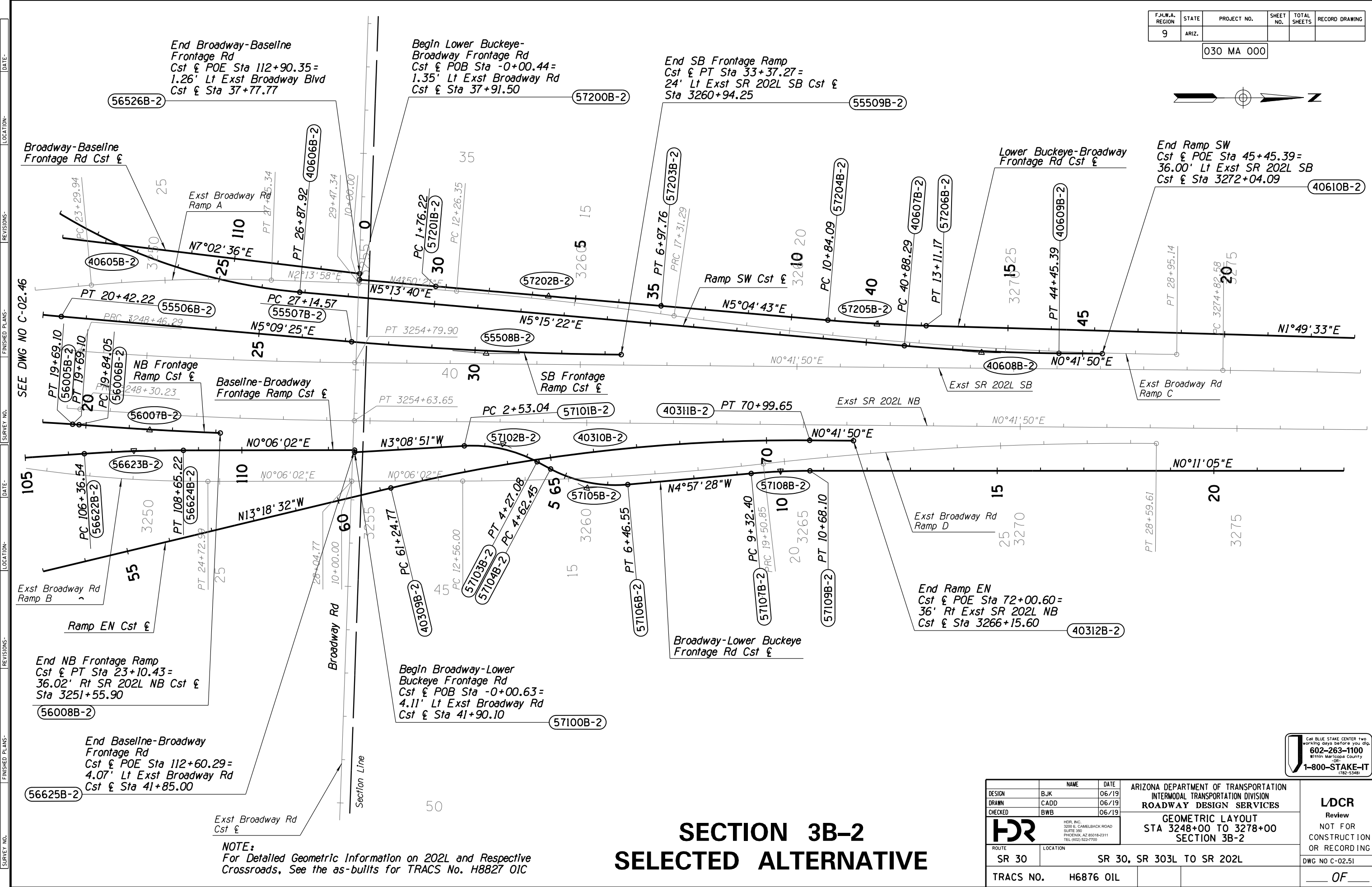
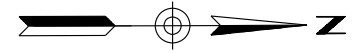
## SECTION 3B-2 SELECTED ALTERNATIVE

DESIGN	BJK	DATE	06/19	ARIZONA DEPARTMENT OF TRANSPORTATION INTERMODAL TRANSPORTATION DIVISION ROADWAY DESIGN SERVICES	<b>LDCR</b> Review NOT FOR CONSTRUCTION OR RECORDING
DRAWN	CADD	DATE	06/19		
CHECKED	BWB	DATE	06/19		
<b>HR</b>		<small>HDR, INC. 3200 E. GAMBELBACK ROAD SUITE 300 PHOENIX, AZ 85018-2311 TEL: (602) 922-7700</small>		<b>GEOMETRIC LAYOUT</b> STA 3204+00 TO 3233+00 SECTION 3B-2	
ROUTE	SR 30	LOCATION	SR 30, SR 303L TO SR 202L	DWG NO C-02.50	
TRACS NO.	H6876 OIL	OF			

SURVEY NO. \_\_\_\_\_ DATE \_\_\_\_\_ LOCATION \_\_\_\_\_ REVISIONS \_\_\_\_\_ FINISHED PLANS \_\_\_\_\_

F.H.W.A. REGION	STATE	PROJECT NO.	SHEET NO.	TOTAL SHEETS	RECORD DRAWING
9	ARIZ.				

030 MA 000



SEE DWG NO C-02.46

**NOTE:**  
For Detailed Geometric Information on 202L and Respective Crossroads, See the as-builts for TRACS No. H8827 OIC

## SECTION 3B-2 SELECTED ALTERNATIVE

DESIGN	NAME	DATE	ARIZONA DEPARTMENT OF TRANSPORTATION INTERMODAL TRANSPORTATION DIVISION ROADWAY DESIGN SERVICES	<b>LDCR</b> Review NOT FOR CONSTRUCTION OR RECORDING
DRAWN	BJK	06/19		
CHECKED	CADD	06/19		
	BWB	06/19	GEOMETRIC LAYOUT STA 3248+00 TO 3278+00 SECTION 3B-2	DWG NO C-02.51
ROUTE	SR 30	LOCATION	SR 30, SR 303L TO SR 202L	
TRACS NO.	H6876 OIL			OF

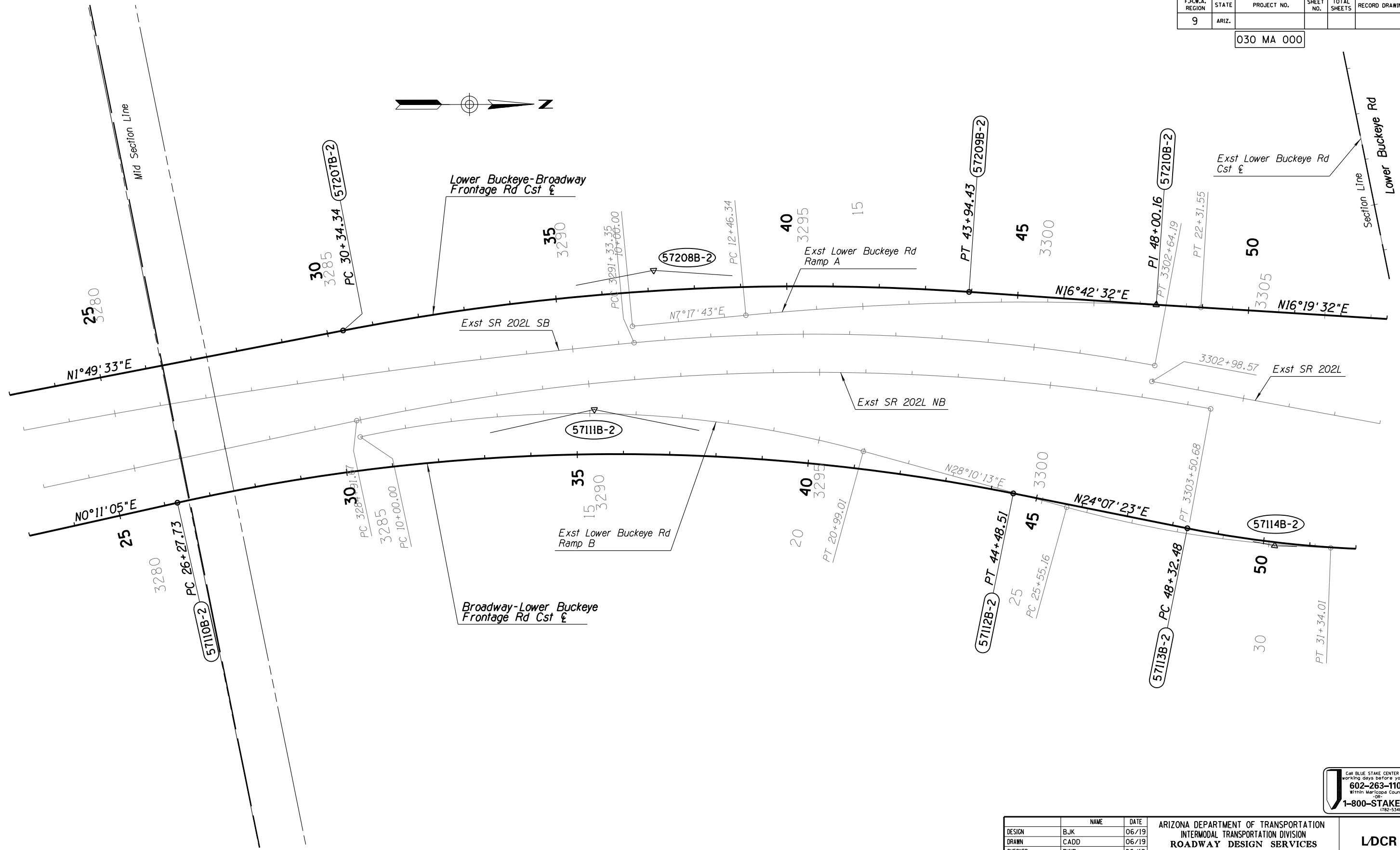
Call BLUE STAKE CENTER two working days before you dig.  
602-263-1100  
Within Maricopa County  
OR  
1-800-STAKE-IT  
(782-5348)



F.H.W.A. REGION	STATE	PROJECT NO.	SHEET NO.	TOTAL SHEETS	RECORD DRAWING
9	ARIZ.				

030 MA 000

SURVEY NO. FINISHED PLANS- LOCATION- DATE- REVISIONS- FINISHED PLANS- LOCATION- DATE- REVISIONS- FINISHED PLANS- LOCATION- DATE-



**NOTE:**  
For Detailed Geometric Information on 202L and Respective Crossroads, See the as-builts for TRACS No. H8827 OIC

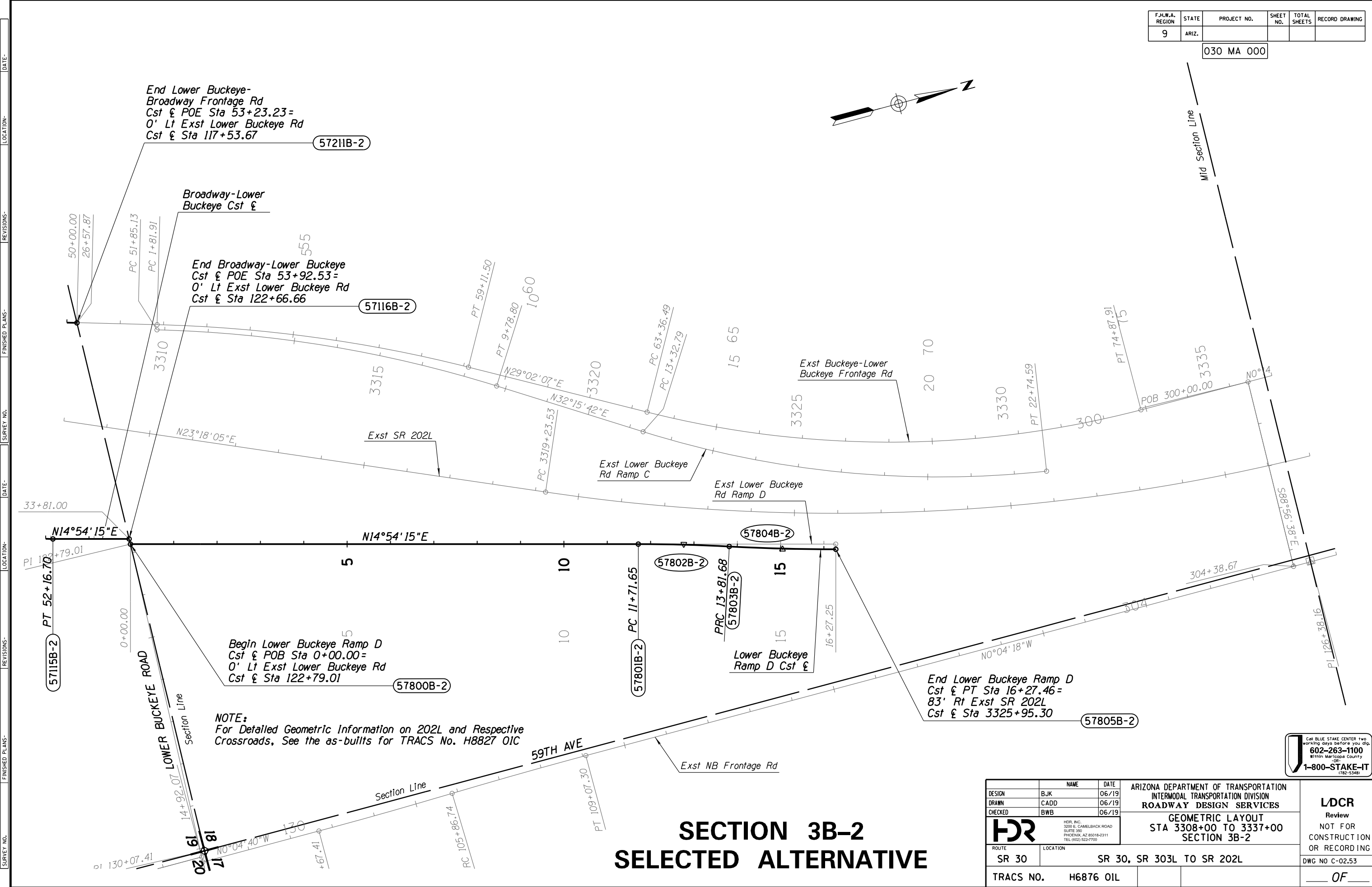
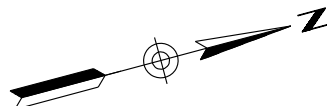
## SECTION 3B-2 SELECTED ALTERNATIVE

DESIGN	BJK	DATE	06/19	ARIZONA DEPARTMENT OF TRANSPORTATION INTERMODAL TRANSPORTATION DIVISION ROADWAY DESIGN SERVICES	<b>LDCR</b> Review NOT FOR CONSTRUCTION OR RECORDING
DRAWN	CADD	DATE	06/19		
CHECKED	BWB	DATE	06/19		
<b>HR</b>		<small>HDR, INC. 3200 E. CAMELBACK ROAD SUITE 300 PHOENIX, AZ 85018-2311 TEL (602) 922-7700</small>		<b>GEOMETRIC LAYOUT</b> <b>STA 3278+00 TO 3308+00</b> <b>SECTION 3B-2</b>	
ROUTE	SR 30	LOCATION	SR 30, SR 303L TO SR 202L	DWG NO C-02,52	
TRACS NO.	H6876 OIL			OF	

Call BLUE STAKE CENTER two working days before you dig.  
**602-263-1100**  
 Within Maricopa County OR  
**1-800-STAKE-IT**  
(782-5348)

F.H.W.A. REGION	STATE	PROJECT NO.	SHEET NO.	TOTAL SHEETS	RECORD DRAWING
9	ARIZ.				

030 MA 000



End Lower Buckeye-  
Broadway Frontage Rd  
Cst & POE Sta 53+23.23=  
0' Lt Exst Lower Buckeye Rd  
Cst & Sta 117+53.67

Broadway-Lower  
Buckeye Cst &

End Broadway-Lower Buckeye  
Cst & POE Sta 53+92.53=  
0' Lt Exst Lower Buckeye Rd  
Cst & Sta 122+66.66

N23°18'05"E

Exst SR 202L

Exst Lower Buckeye  
Rd Ramp C

Exst Lower Buckeye  
Rd Ramp D

Exst Buckeye-Lower  
Buckeye Frontage Rd

N14°54'15"E

N14°54'15"E

Begin Lower Buckeye Ramp D  
Cst & POB Sta 0+00.00=  
0' Lt Exst Lower Buckeye Rd  
Cst & Sta 122+79.01

Lower Buckeye  
Ramp D Cst &

End Lower Buckeye Ramp D  
Cst & PT Sta 16+27.46=  
83' Rt Exst SR 202L  
Cst & Sta 3325+95.30

NOTE:  
For Detailed Geometric Information on 202L and Respective  
Crossroads, See the as-builts for TRACS No. H8827 OIC

# SECTION 3B-2 SELECTED ALTERNATIVE

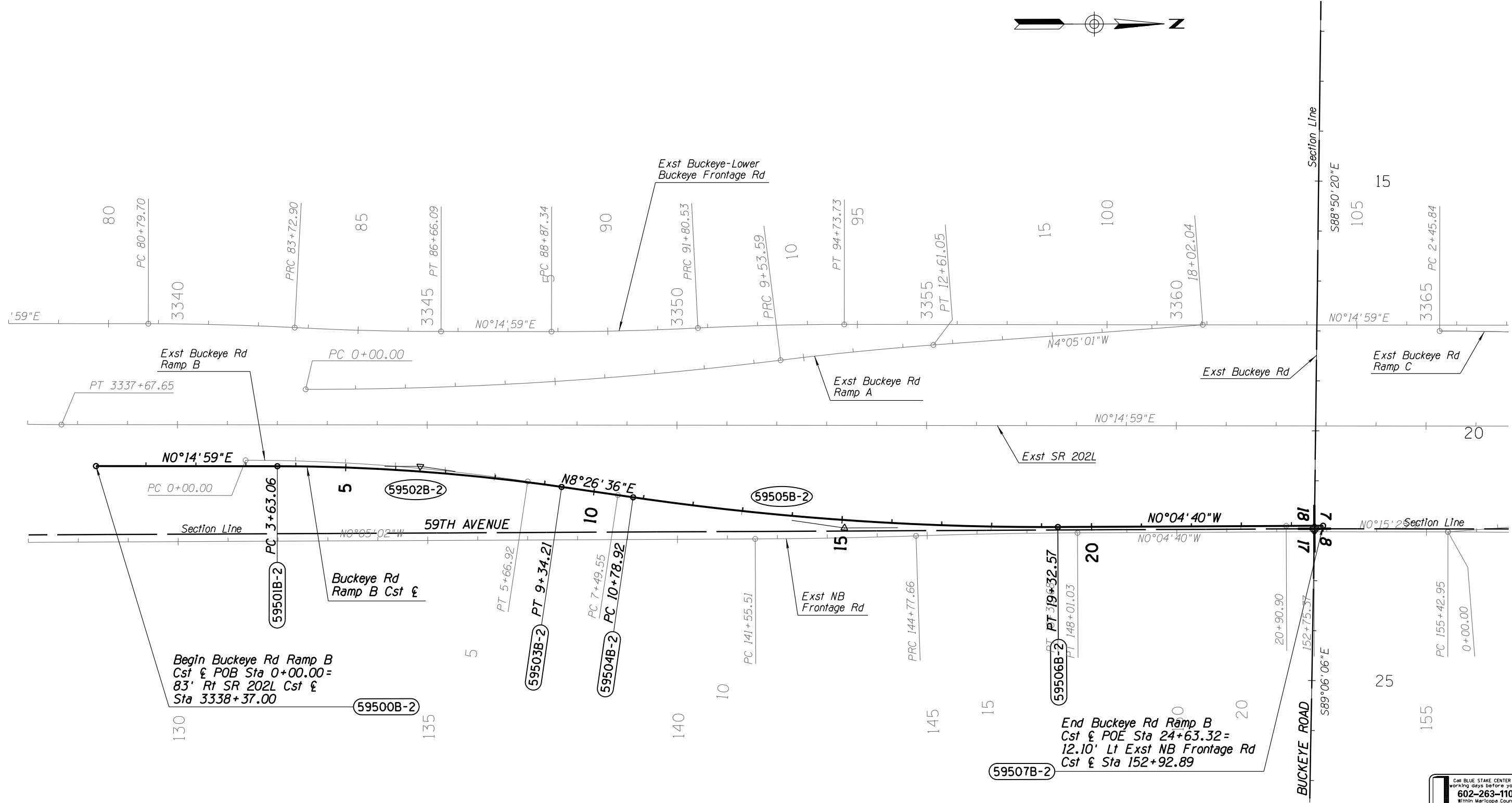
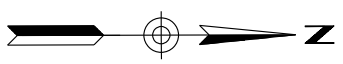
CALL BLUE STAKE CENTER two  
working days before you dig.  
602-263-1100  
Within Maricopa County  
OR  
1-800-STAKE-IT  
(782-5348)

DESIGN	BJK	DATE	06/19	ARIZONA DEPARTMENT OF TRANSPORTATION INTERMODAL TRANSPORTATION DIVISION ROADWAY DESIGN SERVICES	<b>LDCR</b> Review NOT FOR CONSTRUCTION OR RECORDING	
DRAWN	CADD	DATE	06/19			
CHECKED	BWB	DATE	06/19			
<b>HR</b>		HR, INC. 3200 E. CAMELBACK ROAD SUITE 300 PHOENIX, AZ 85018-2311 TEL (602) 922-7700		GEOMETRIC LAYOUT STA 3308+00 TO 3337+00 SECTION 3B-2		
ROUTE	SR 30	LOCATION	SR 30, SR 303L TO SR 202L			DWG NO C-02.53
TRACS NO.	H6876 OIL			OF		

SURVEY NO. FINISHED PLANS- REVISIONS- DATE- LOCATION- FINISHED PLANS- REVISIONS- DATE- LOCATION- FINISHED PLANS- REVISIONS- DATE-

F.H.W.A. REGION	STATE	PROJECT NO.	SHEET NO.	TOTAL SHEETS	RECORD DRAWING
9	ARIZ.				

030 MA 000



**NOTE:**  
For Detailed Geometric Information on 202L and Respective Crossroads, See the as-builts for TRACS No. H8827 OIC

## SECTION 3B-2 SELECTED ALTERNATIVE

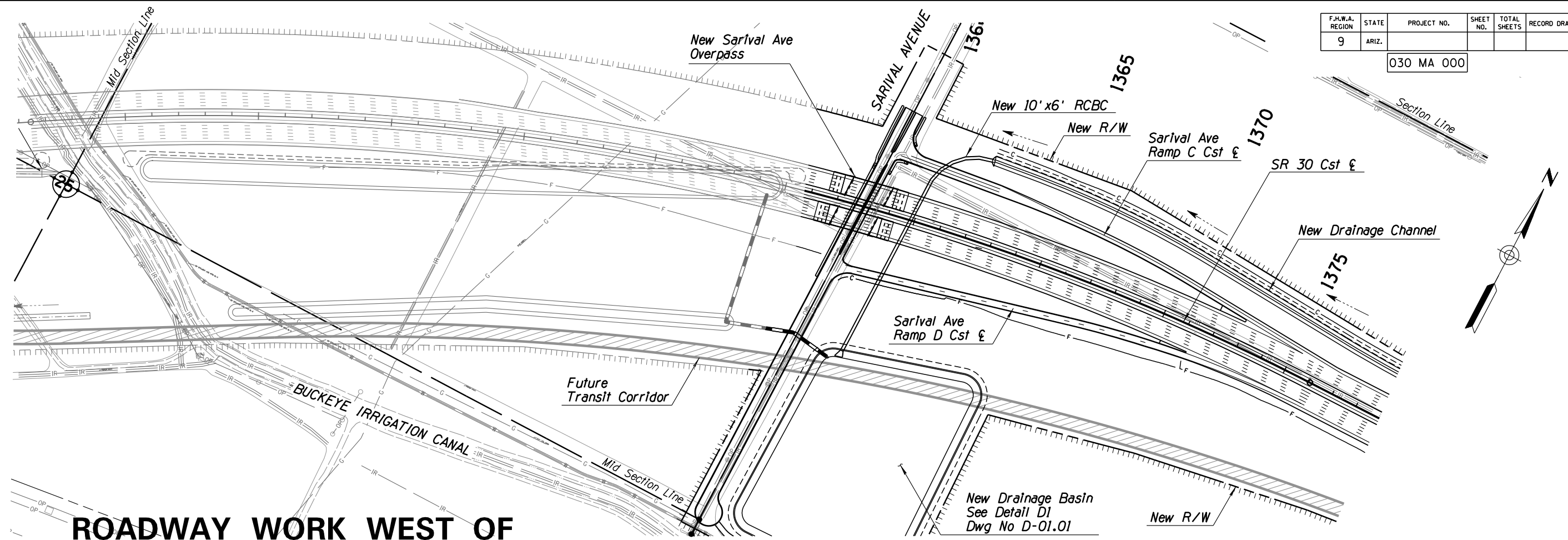
CALL BLUE STAKE CENTER two working days before you dig.  
**602-263-1100**  
Within Maricopa County  
OR  
**1-800-STAKE-IT**  
(782-5348)

DESIGN	BJK	DATE	06/19	ARIZONA DEPARTMENT OF TRANSPORTATION INTERMODAL TRANSPORTATION DIVISION <b>ROADWAY DESIGN SERVICES</b>	<b>LDCR</b> Review NOT FOR CONSTRUCTION OR RECORDING DWG NO C-02.54
DRAWN	CADD	DATE	06/19		
CHECKED	BWB	DATE	06/19		
<b>HR</b>		<small>HR, INC. 3200 E. CAMELBACK ROAD SUITE 300 PHOENIX, AZ 85018-2311 TEL (602) 922-7700</small>		<b>GEOMETRIC LAYOUT</b> <b>STA 3336+00 TO 3366+50</b> <b>SECTION 3B-2</b>	
ROUTE	SR 30	LOCATION	SR 30, SR 303L TO SR 202L		
TRACS NO.	H6876 OIL				

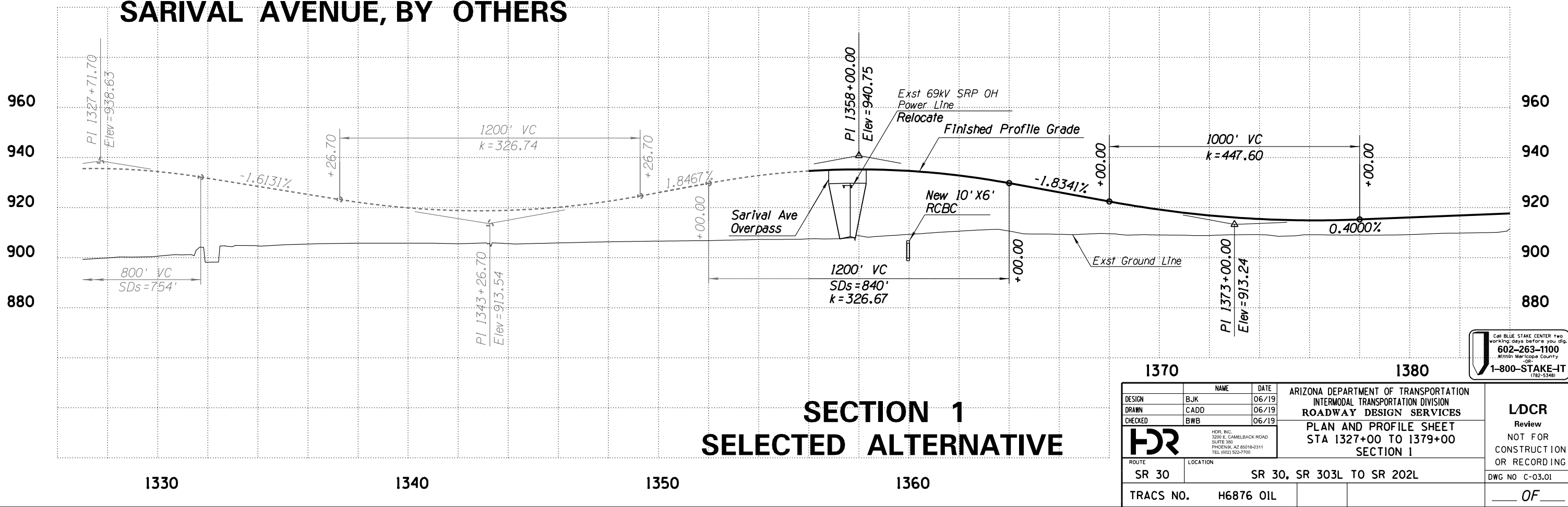
SURVEY NO. FINISHED PLANS- LOCATION- DATE- REVISIONS- FINISHED PLANS- SURVEY NO. DATE- LOCATION- REVISIONS- DATE-

F.H.W.A. REGION	STATE	PROJECT NO.	SHEET NO.	TOTAL SHEETS	RECORD DRAWING
9	ARIZ.				

030 MA 000



# ROADWAY WORK WEST OF SARIVAL AVENUE, BY OTHERS



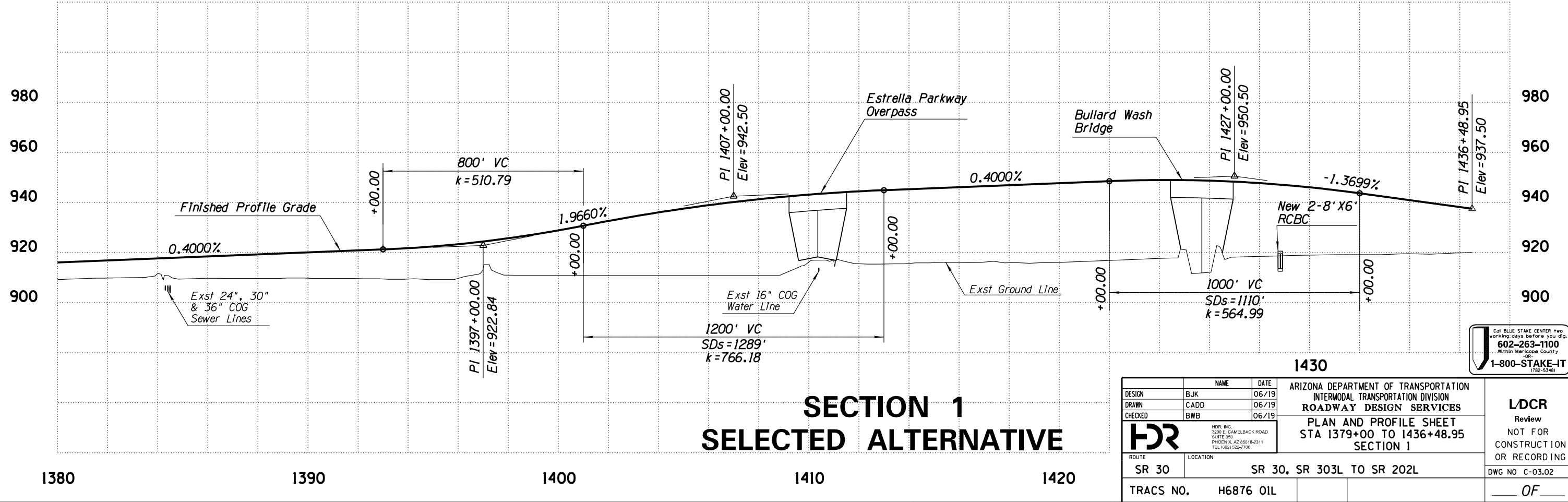
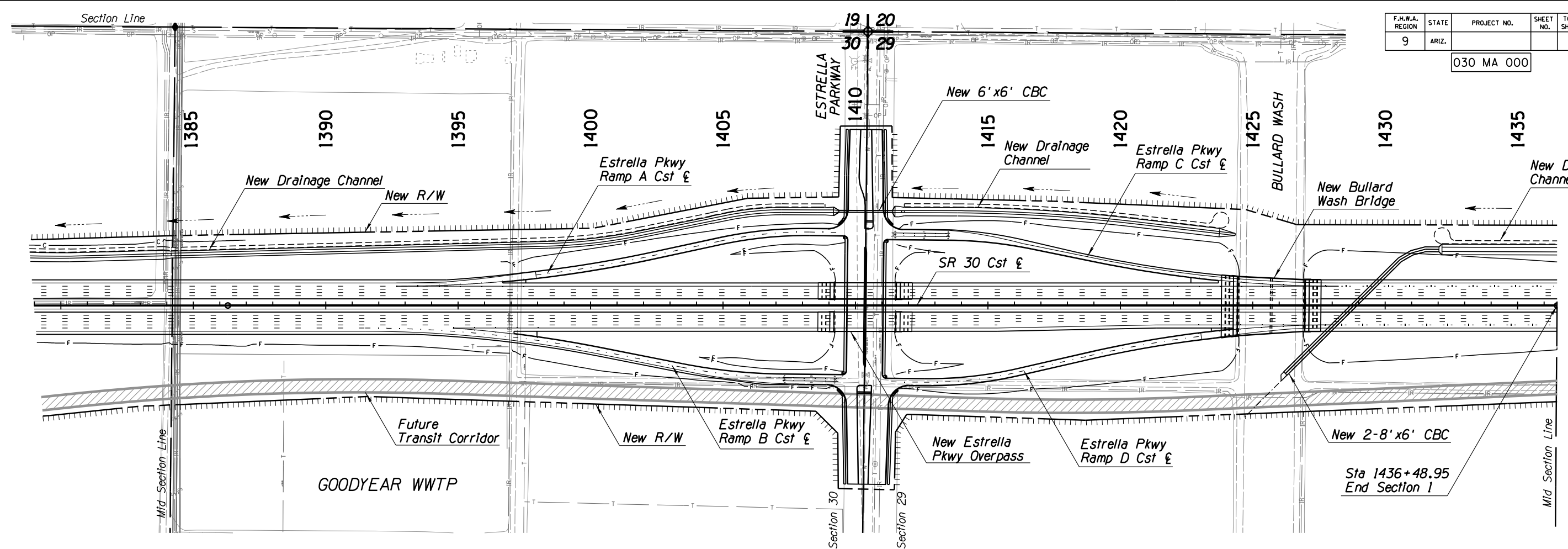
## SECTION 1 SELECTED ALTERNATIVE

1370		1380	
DESIGN	BJK	DATE	06/19
DRAWN	CADD	DATE	06/19
CHECKED	BWB	DATE	06/19
		ARIZONA DEPARTMENT OF TRANSPORTATION INTERMODAL TRANSPORTATION DIVISION ROADWAY DESIGN SERVICES PLAN AND PROFILE SHEET STA 1327+00 TO 1379+00 SECTION 1	
ROUTE	SR 30	LOCATION	SR 30, SR 303L TO SR 202L
TRACS NO.	H6876 OIL	LDCR Review NOT FOR CONSTRUCTION OR RECORDING DWG NO C-03.01 OF	

CALL BLUE STAKE CENTER two working days before you dig.  
 602-263-1100  
 Maricopa County  
 1-800-STAKE-IT  
 (782-5348)

F.H.W.A. REGION	STATE	PROJECT NO.	SHEET NO.	TOTAL SHEETS	RECORD DRAWING
9	ARIZ.				

030 MA 000



# SECTION 1 SELECTED ALTERNATIVE

DESIGN	BJK	DATE	06/19
DRAWN	CADD	DATE	06/19
CHECKED	BWB	DATE	06/19

1430

ARIZONA DEPARTMENT OF TRANSPORTATION  
INTERMODAL TRANSPORTATION DIVISION  
ROADWAY DESIGN SERVICES

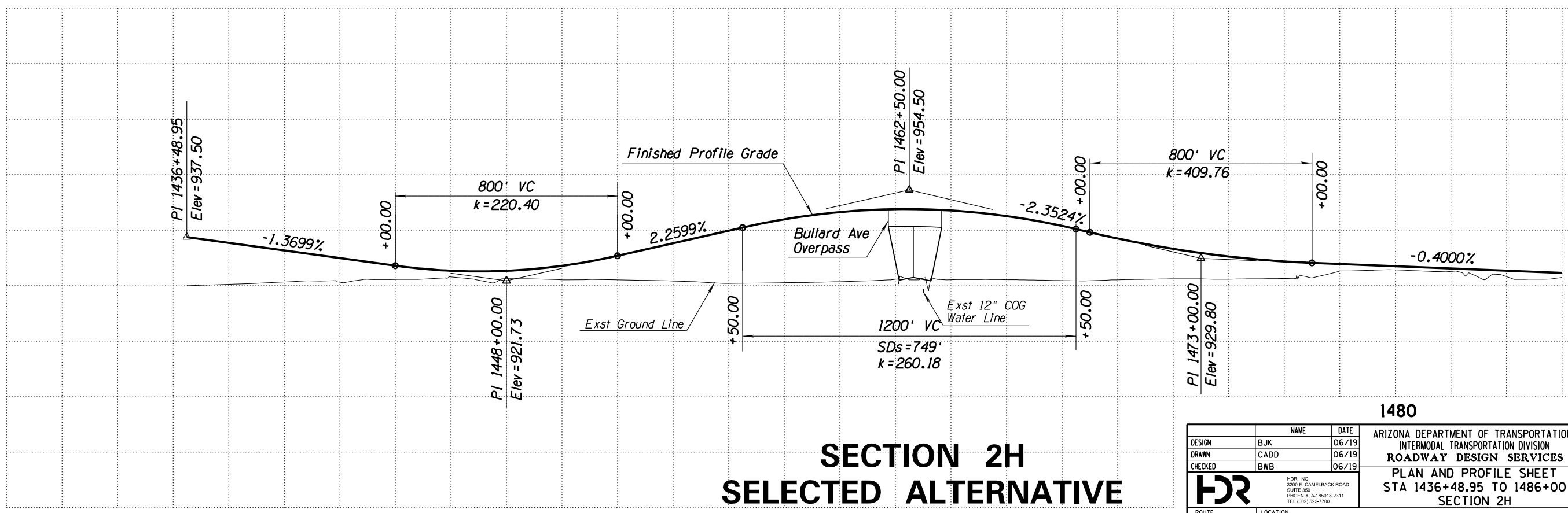
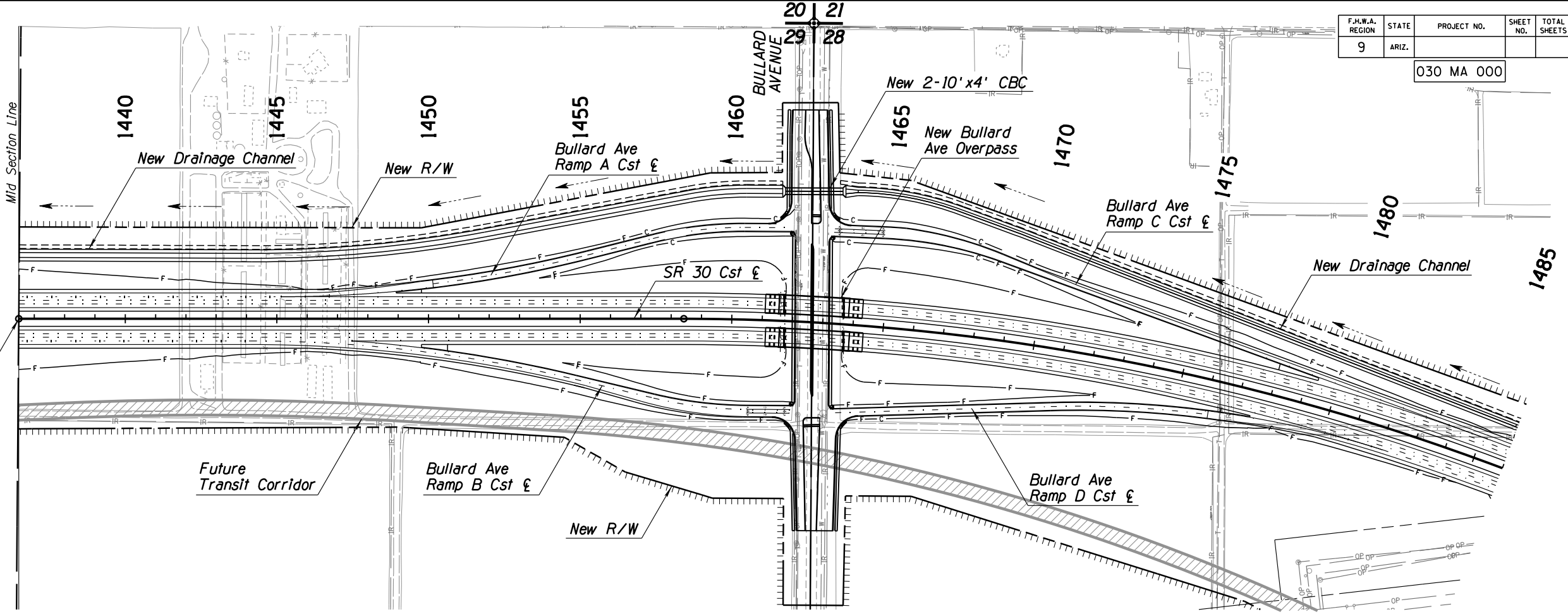
PLAN AND PROFILE SHEET  
STA 1379+00 TO 1436+48.95  
SECTION 1

CALL BLUE STAKE CENTER TWO  
WORKING DAYS BEFORE YOU DIG.  
602-263-1100  
Maricopa County  
1-800-STAKE-IT  
(782-5348)

**LDCR**  
Review  
NOT FOR  
CONSTRUCTION  
OR RECORDING  
DWG NO C-03.02  
OF

F.H.W.A. REGION	STATE	PROJECT NO.	SHEET NO.	TOTAL SHEETS	RECORD DRAWING
9	ARIZ.				

030 MA 000



## SECTION 2H SELECTED ALTERNATIVE

DESIGN	BJK	DATE	06/19
DRAWN	CADD	DATE	06/19
CHECKED	BWB	DATE	06/19

**HR**  
HR, INC.  
 3200 E. GAMBELBACK ROAD  
 SUITE 300  
 PHOENIX, AZ 85018-2311  
 TEL: (602) 922-7700

1480

ARIZONA DEPARTMENT OF TRANSPORTATION  
 INTERMODAL TRANSPORTATION DIVISION  
 ROADWAY DESIGN SERVICES  
 PLAN AND PROFILE SHEET  
 STA 1436+48.95 TO 1486+00  
 SECTION 2H

CALL BLUE STAKE CENTER two working days before you dig.  
 602-263-1100  
 Maricopa County  
 1-800-STAKE-IT  
(782-5348)

ROUTE	SR 30	LOCATION	SR 30, SR 303L TO SR 202L
TRACS NO.	H6876 OIL		

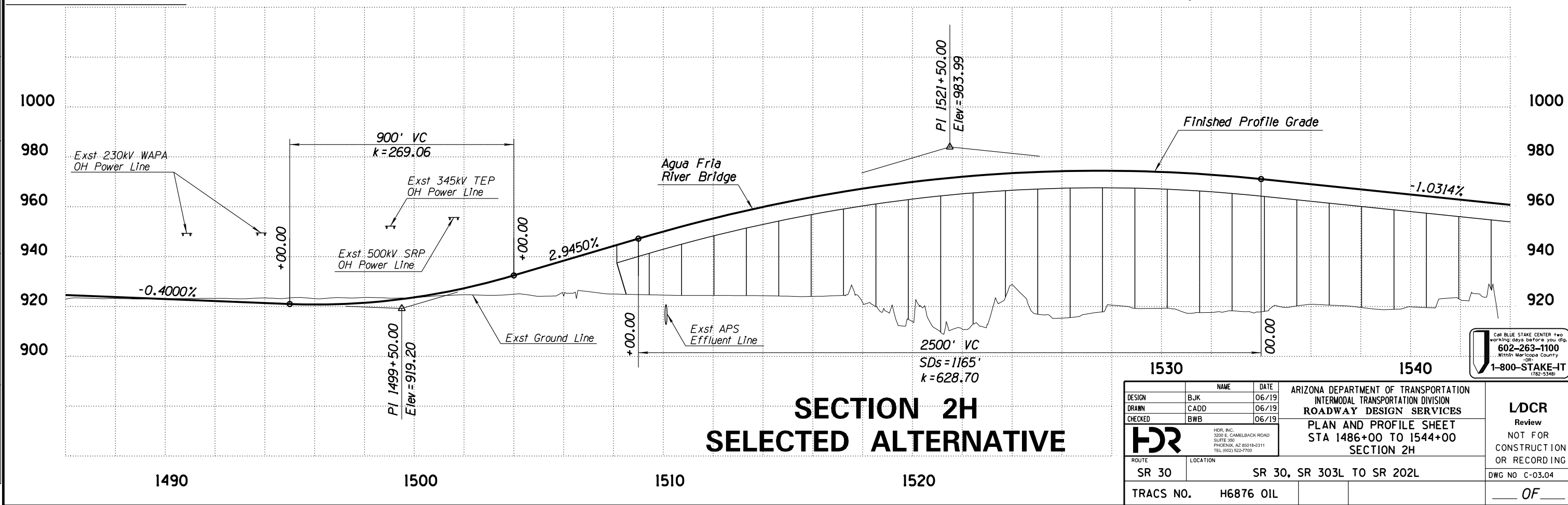
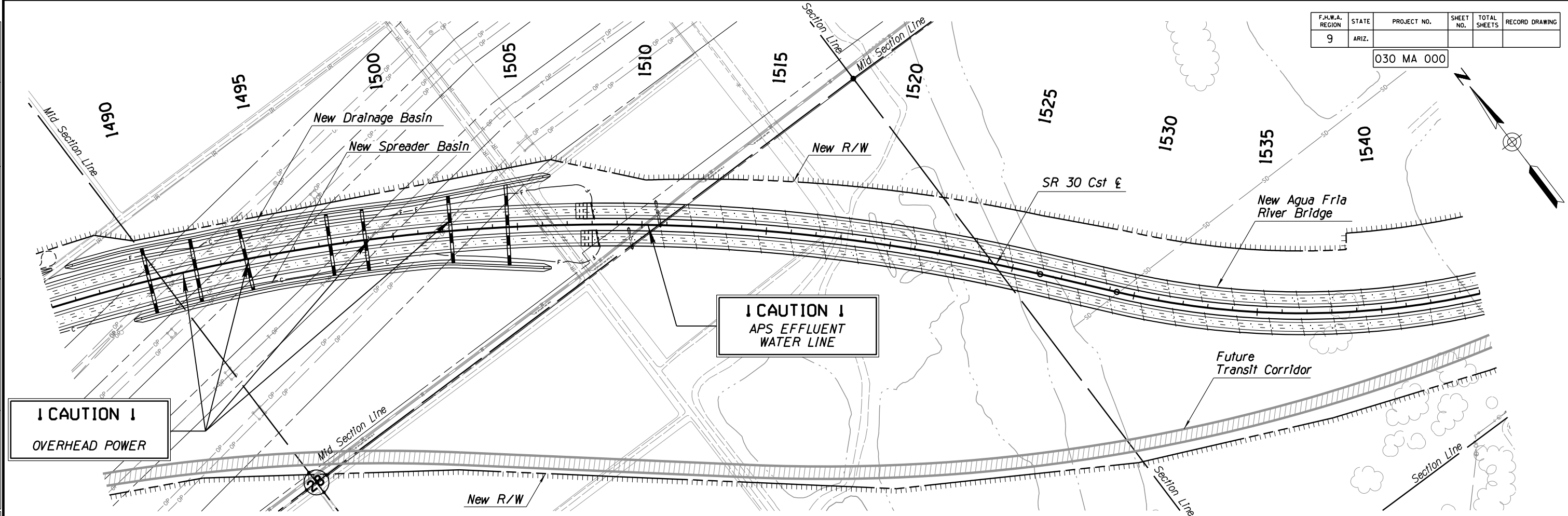
**LDCR**  
 Review  
 NOT FOR CONSTRUCTION OR RECORDING  
 DWG NO C-03.03

OF

DATE LOCATION REVISIONS SURVEY NO. DATE LOCATION REVISIONS SURVEY NO.

F.H.W.A. REGION	STATE	PROJECT NO.	SHEET NO.	TOTAL SHEETS	RECORD DRAWING
9	ARIZ.				

030 MA 000



## SECTION 2H SELECTED ALTERNATIVE

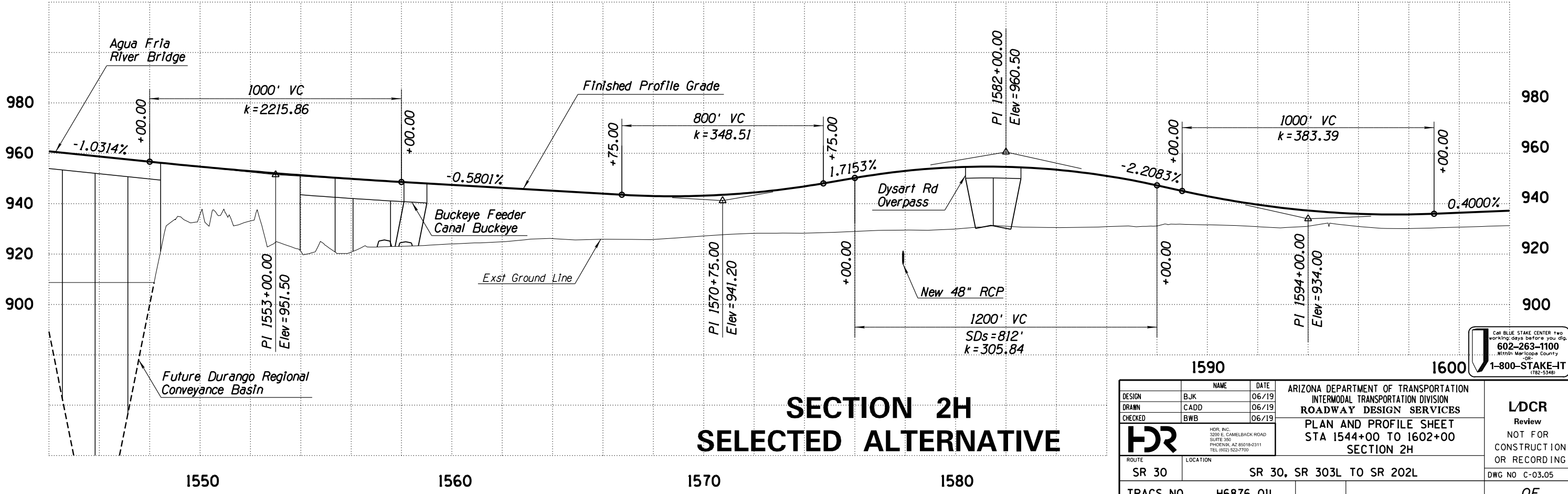
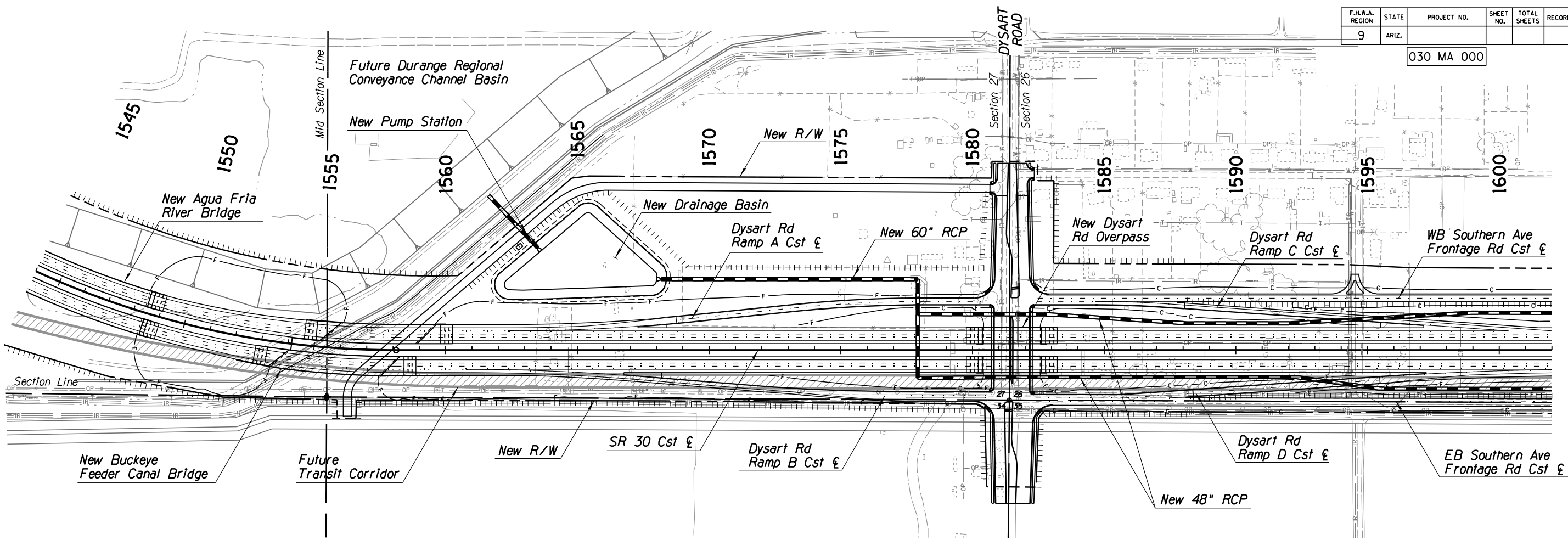
DESIGN		NAME	DATE	ARIZONA DEPARTMENT OF TRANSPORTATION INTERMODAL TRANSPORTATION DIVISION ROADWAY DESIGN SERVICES	LDCR Review NOT FOR CONSTRUCTION OR RECORDING DWG NO C-03.04
DRAWN		BJK	06/19		
CHECKED		CADD	06/19		
		BWB	06/19	PLAN AND PROFILE SHEET STA 1486+00 TO 1544+00 SECTION 2H	OF
ROUTE		SR 30, SR 303L TO SR 202L			
LOCATION		SR 30		TRACS NO. H6876 OIL	

CALL BLUE STAKE CENTER TWO  
WORKING DAYS BEFORE YOU DIG.  
602-263-1100  
Maricopa County  
1-800-STAKE-IT  
(782-5348)

DATE: LOCATION: REVISIONS: FINISHED PLANS: SURVEY NO. DATE: LOCATION: REVISIONS: FINISHED PLANS: SURVEY NO.

F.H.W.A. REGION	STATE	PROJECT NO.	SHEET NO.	TOTAL SHEETS	RECORD DRAWING
9	ARIZ.				

030 MA 000



## SECTION 2H SELECTED ALTERNATIVE

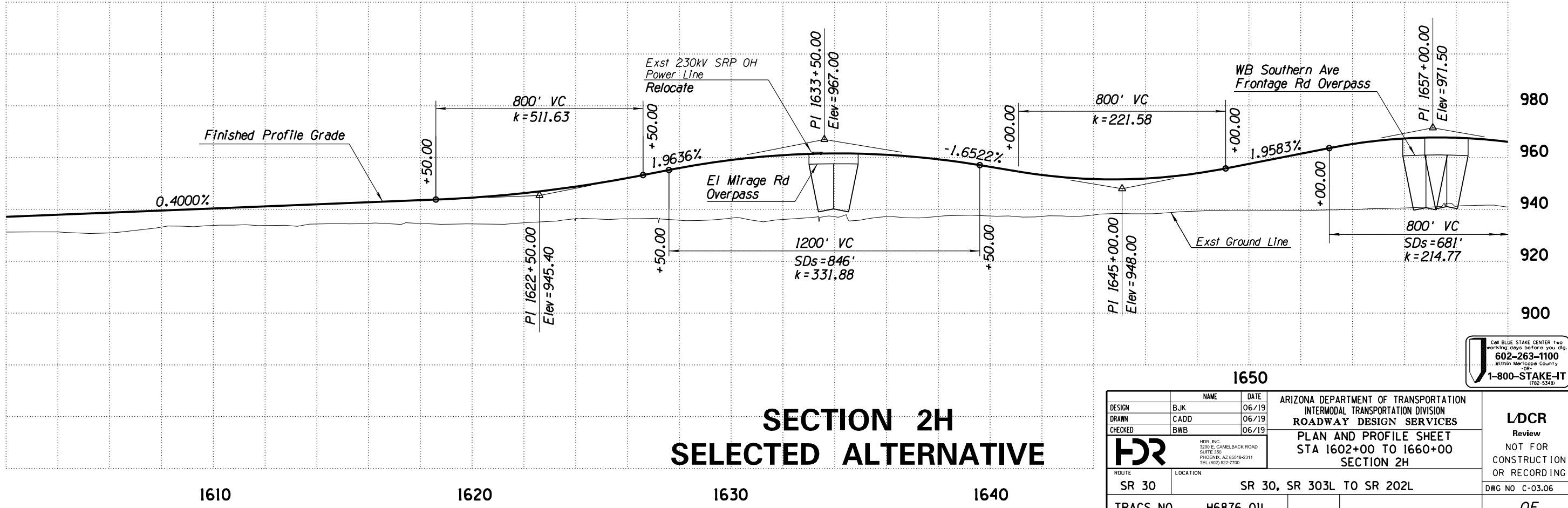
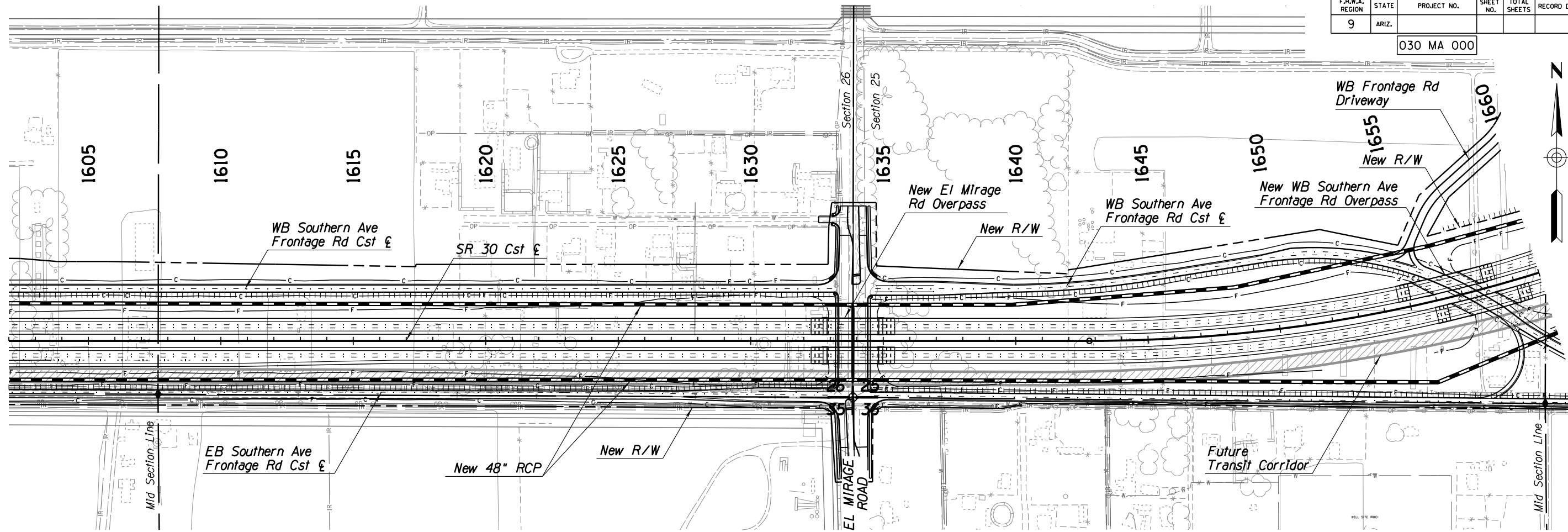
1590		1600	
DESIGN	NAME	DATE	ARIZONA DEPARTMENT OF TRANSPORTATION INTERMODAL TRANSPORTATION DIVISION ROADWAY DESIGN SERVICES PLAN AND PROFILE SHEET STA 1544+00 TO 1602+00 SECTION 2H
DRAWN	BJK	06/19	
CHECKED	CADD	06/19	
	BWB	06/19	<b>LDCR</b> Review NOT FOR CONSTRUCTION OR RECORDING DWG NO C-03.05
HDR, INC. 3200 E. GAMBELBACK ROAD SUITE 300 PHOENIX, AZ 85018-2311 TEL: (602) 922-7700			
ROUTE	LOCATION	SR 30, SR 303L TO SR 202L	
TRACS NO.	H6876 OIL		

CALL BLUE STAKE CENTER two working days before you dig.  
602-263-1100  
Maricopa County  
1-800-STAKE-IT  
(782-5348)



F.H.W.A. REGION	STATE	PROJECT NO.	SHEET NO.	TOTAL SHEETS	RECORD DRAWING
9	ARIZ.				

030 MA 000



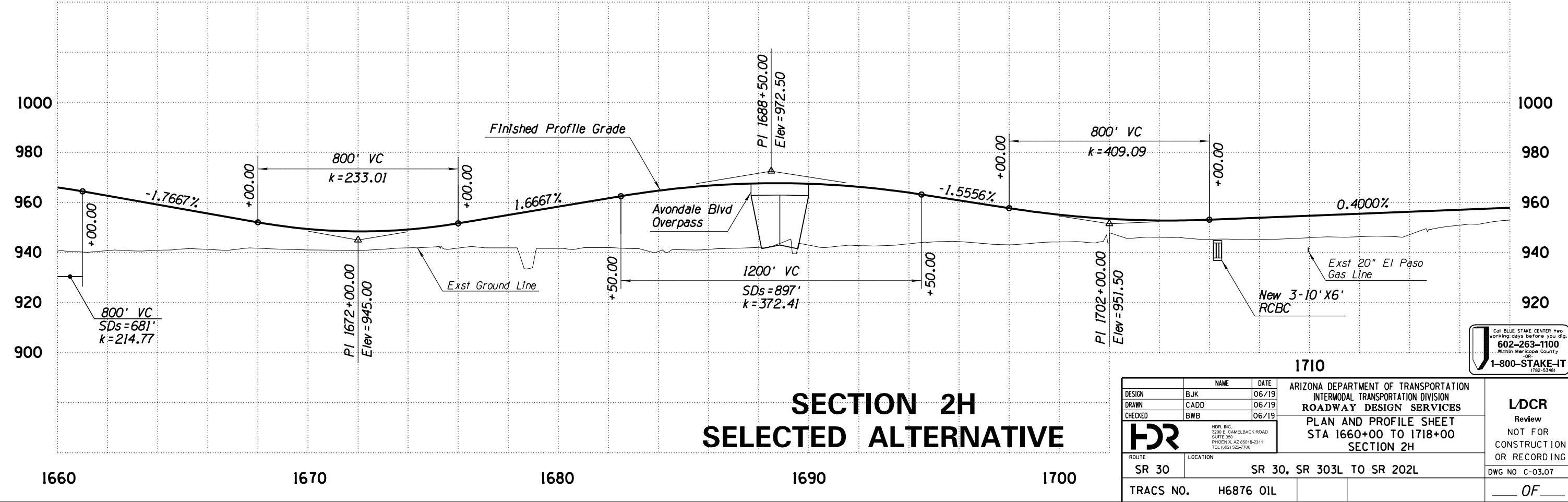
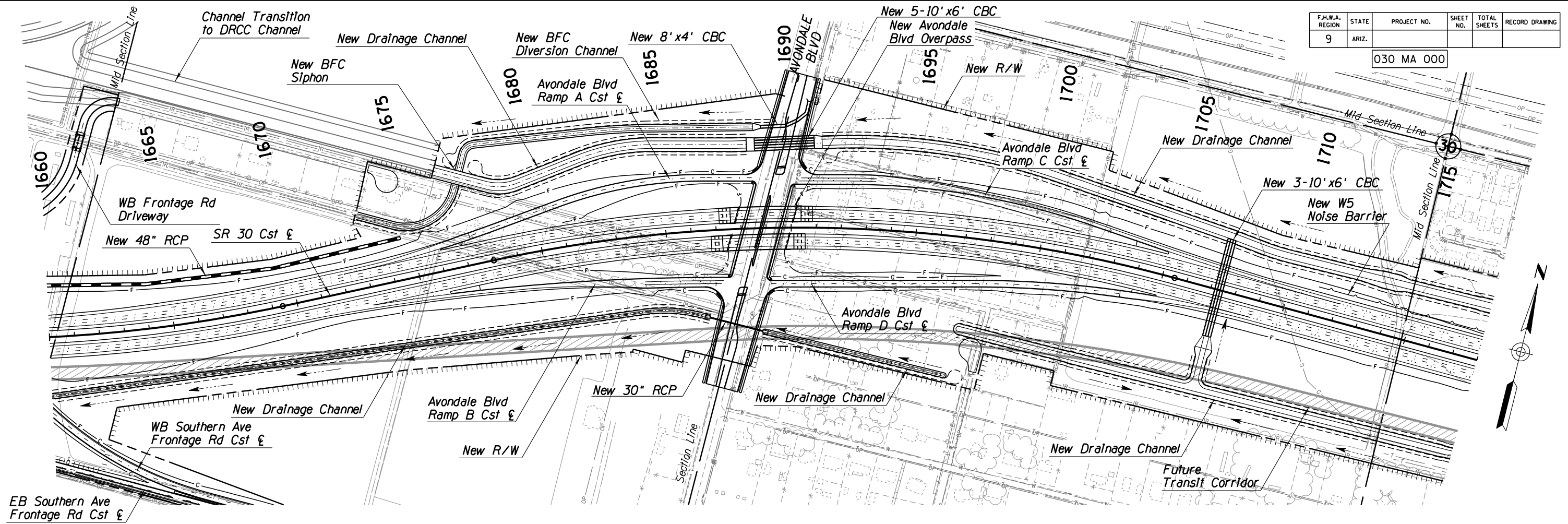
## SECTION 2H SELECTED ALTERNATIVE

<b>1650</b>		ARIZONA DEPARTMENT OF TRANSPORTATION INTERMODAL TRANSPORTATION DIVISION ROADWAY DESIGN SERVICES PLAN AND PROFILE SHEET STA 1602+00 TO 1660+00 SECTION 2H	<b>LDCR</b> Review NOT FOR CONSTRUCTION OR RECORDING DWG NO C-03.06 OF	
DESIGN	NAME			DATE
DRAWN	CADD			06/19
CHECKED	BWB			06/19
		<small>HDR, INC.          3200 E. GAMBELBACK ROAD          SUITE 300          PHOENIX, AZ 85018-2311          TEL (602) 922-7700</small>		
ROUTE	LOCATION			
SR 30	SR 30, SR 303L TO SR 202L			
TRACS NO.	H6876 OIL			

CALL BLUE STAKE CENTER two working days before you dig.  
 602-263-1100  
 Maricopa County  
 1-800-STAKE-IT  
 (782-5348)

F.H.W.A. REGION	STATE	PROJECT NO.	SHEET NO.	TOTAL SHEETS	RECORD DRAWING
9	ARIZ.				

030 MA 000



## SECTION 2H SELECTED ALTERNATIVE

DESIGN	BJK	DATE	06/19
DRAWN	CADD	DATE	06/19
CHECKED	BWB	DATE	06/19

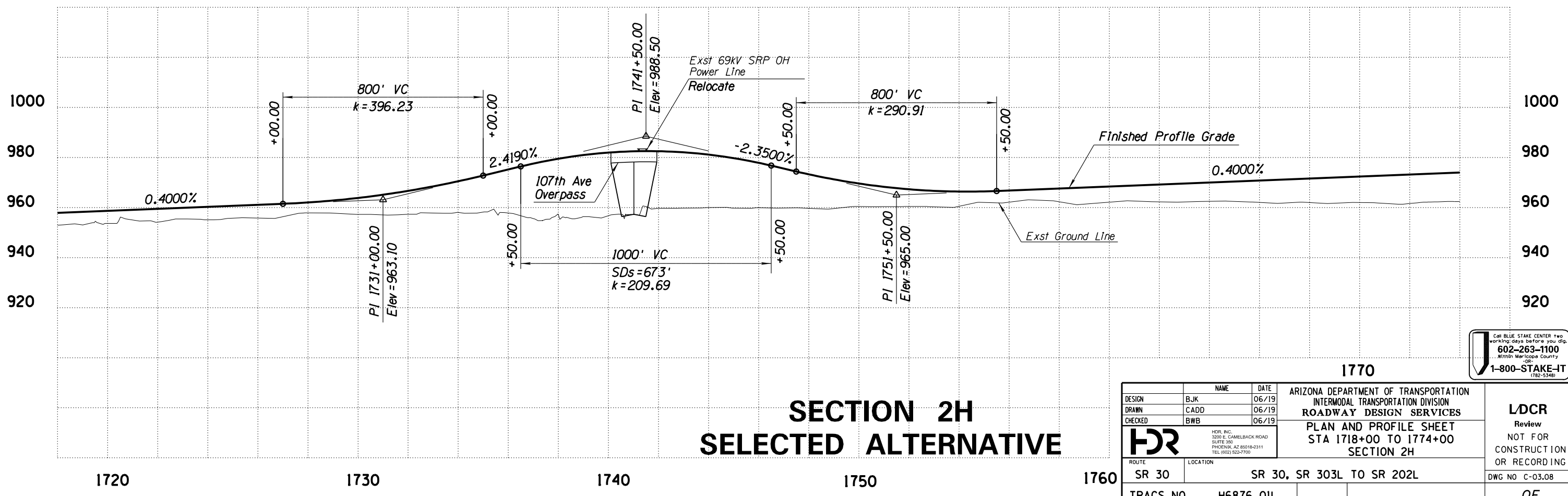
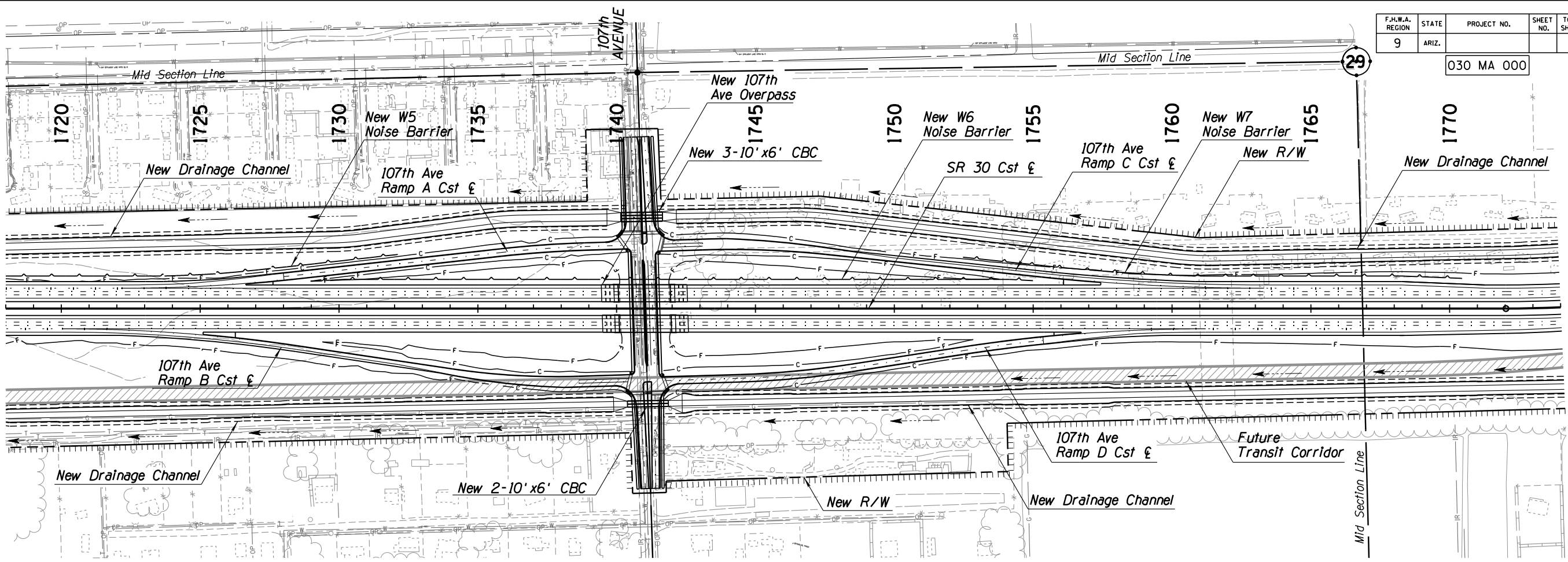
		ARIZONA DEPARTMENT OF TRANSPORTATION INTERMODAL TRANSPORTATION DIVISION ROADWAY DESIGN SERVICES	
ROUTE SR 30		LOCATION SR 30, SR 303L TO SR 202L	
TRACS NO. H6876 OIL		PLAN AND PROFILE SHEET STA 1660+00 TO 1718+00 SECTION 2H	

LDCR Review NOT FOR CONSTRUCTION OR RECORDING DWG NO C-03.07 OF
---

F.H.W.A. REGION	STATE	PROJECT NO.	SHEET NO.	TOTAL SHEETS	RECORD DRAWING
9	ARIZ.				

030 MA 000



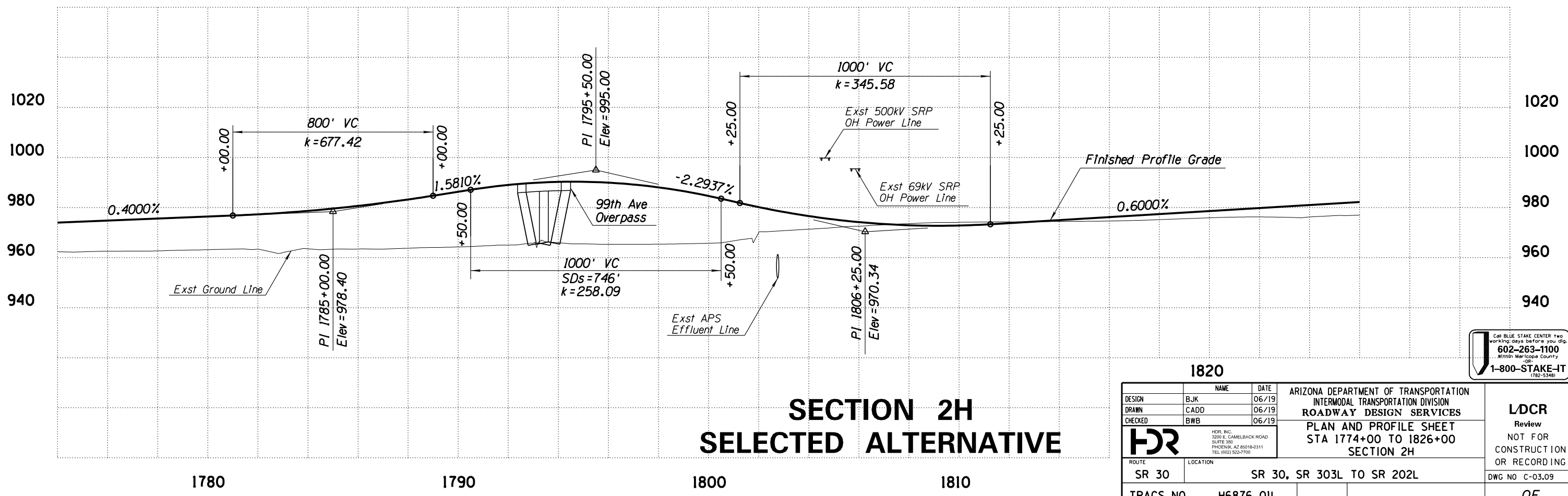
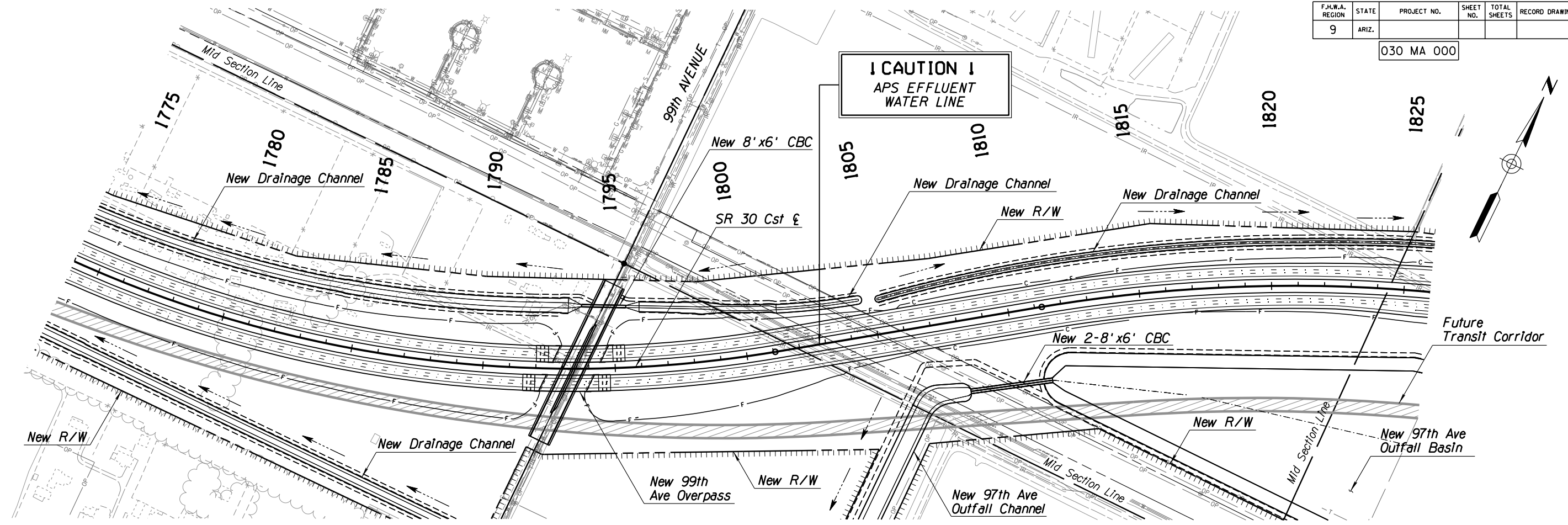
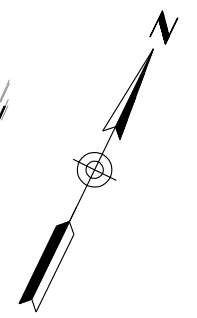
## SECTION 2H SELECTED ALTERNATIVE

NAME		DATE	ARIZONA DEPARTMENT OF TRANSPORTATION INTERMODAL TRANSPORTATION DIVISION ROADWAY DESIGN SERVICES PLAN AND PROFILE SHEET STA 1718+00 TO 1774+00 SECTION 2H	<b>LDCR</b> Review NOT FOR CONSTRUCTION OR RECORDING DWG NO C-03.08 OF
DESIGN	BJK	06/19		
DRAWN	CADD	06/19		
CHECKED	BWB	06/19		
<b>HR</b>		<small>HDR, INC. 3200 E. GAMBELBACK ROAD SUITE 300 PHOENIX, AZ 85018-2311 TEL (602) 922-7700</small>		
ROUTE	LOCATION	SR 30, SR 303L TO SR 202L		
TRACS NO.	H6876 OIL			

CALL BLUE STAKE CENTER TWO  
WORKING DAYS BEFORE YOU DIG.  
602-263-1100  
Maricopa County  
1-800-STAKE-IT  
(782-5348)

F.H.W.A. REGION	STATE	PROJECT NO.	SHEET NO.	TOTAL SHEETS	RECORD DRAWING
9	ARIZ.				

030 MA 000



## SECTION 2H SELECTED ALTERNATIVE

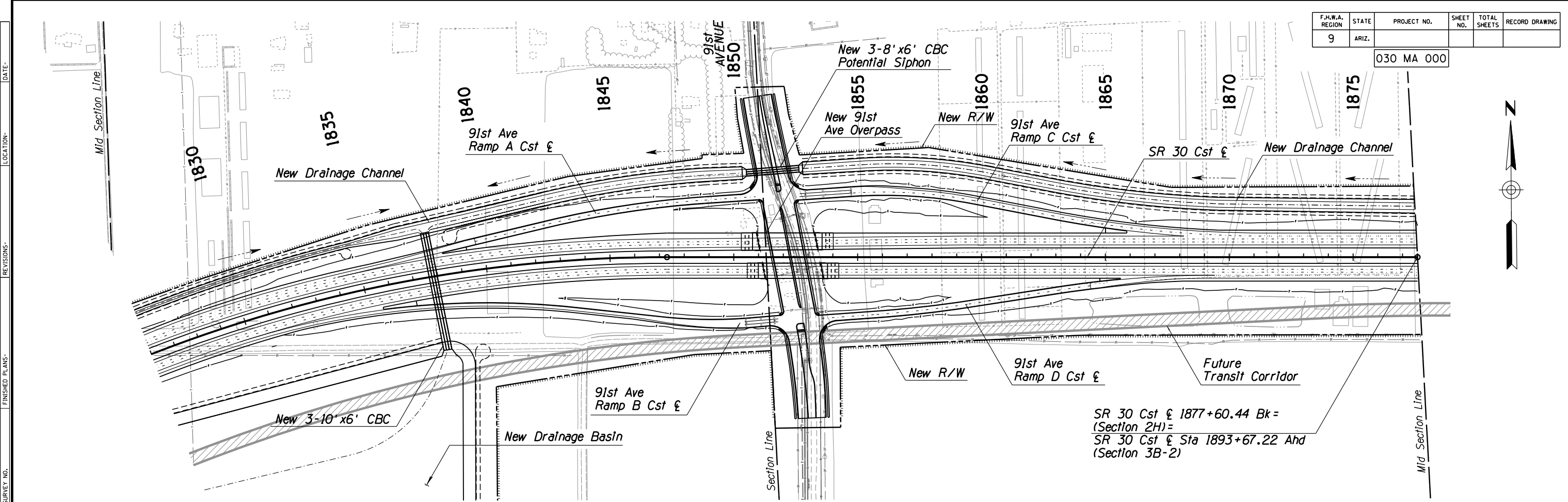
<b>1820</b>		ARIZONA DEPARTMENT OF TRANSPORTATION INTERMODAL TRANSPORTATION DIVISION ROADWAY DESIGN SERVICES PLAN AND PROFILE SHEET STA 1774+00 TO 1826+00 SECTION 2H	<b>LDCR</b> Review NOT FOR CONSTRUCTION OR RECORDING DWG NO C-03.09 OF	
DESIGN	NAME			DATE
DRAWN	CADD			06/19
CHECKED	BWB			06/19
		<small>HDR, INC.          3200 E. GAMBELBACK ROAD          SUITE 300          PHOENIX, AZ 85018-2311          TEL (602) 922-7700</small>		
ROUTE	LOCATION			
SR 30	SR 30, SR 303L TO SR 202L			
TRACS NO.	H6876 OIL			

CALL BLUE STAKE CENTER two working days before you dig.  
 602-263-1100  
 Maricopa County  
 1-800-STAKE-IT  
 (782-5348)

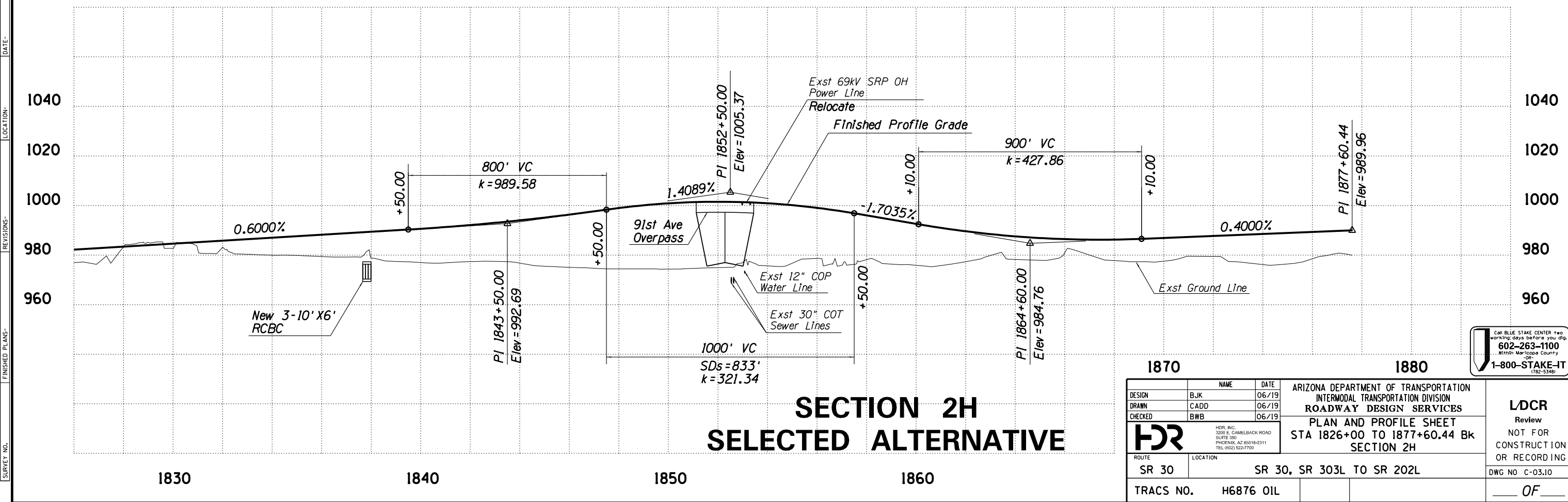
SURVEY NO. FINISHED PLANS- REVISIONS- LOCATION- DATE- FINISHED PLANS- REVISIONS- LOCATION- DATE- FINISHED PLANS- REVISIONS- LOCATION- DATE-

F.H.W.A. REGION	STATE	PROJECT NO.	SHEET NO.	TOTAL SHEETS	RECORD DRAWING
9	ARIZ.				

030 MA 000



SR 30 Cst & 1877+60.44 Bk =  
 (Section 2H) =  
 SR 30 Cst & Sta 1893+67.22 Ahd  
 (Section 3B-2)



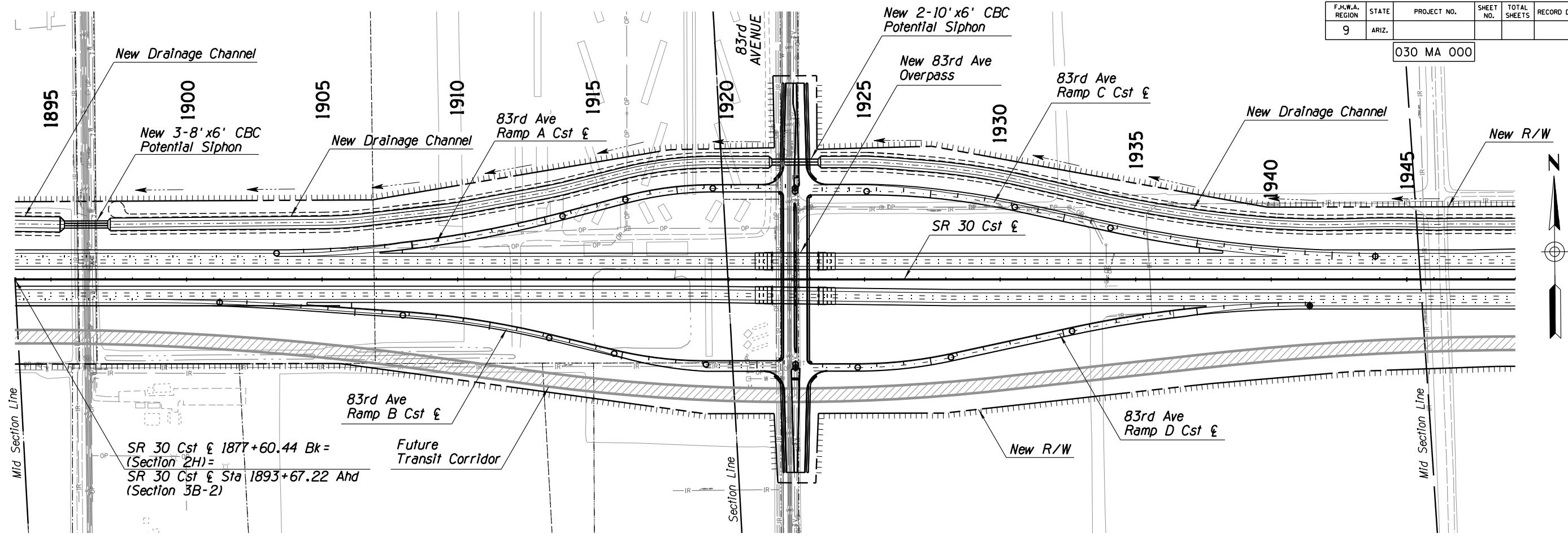
## SECTION 2H SELECTED ALTERNATIVE

DESIGN		NAME	DATE	ARIZONA DEPARTMENT OF TRANSPORTATION INTERMODAL TRANSPORTATION DIVISION ROADWAY DESIGN SERVICES PLAN AND PROFILE SHEET STA 1826+00 TO 1877+60.44 Bk SECTION 2H	LDCR Review NOT FOR CONSTRUCTION OR RECORDING DWG NO C-03.10 OF
DRAWN		CA DD	06/19		
CHECKED		BWB	06/19		
ROUTE		SR 30		SR 30, SR 303L TO SR 202L	
TRACS NO.		H6876 OIL			

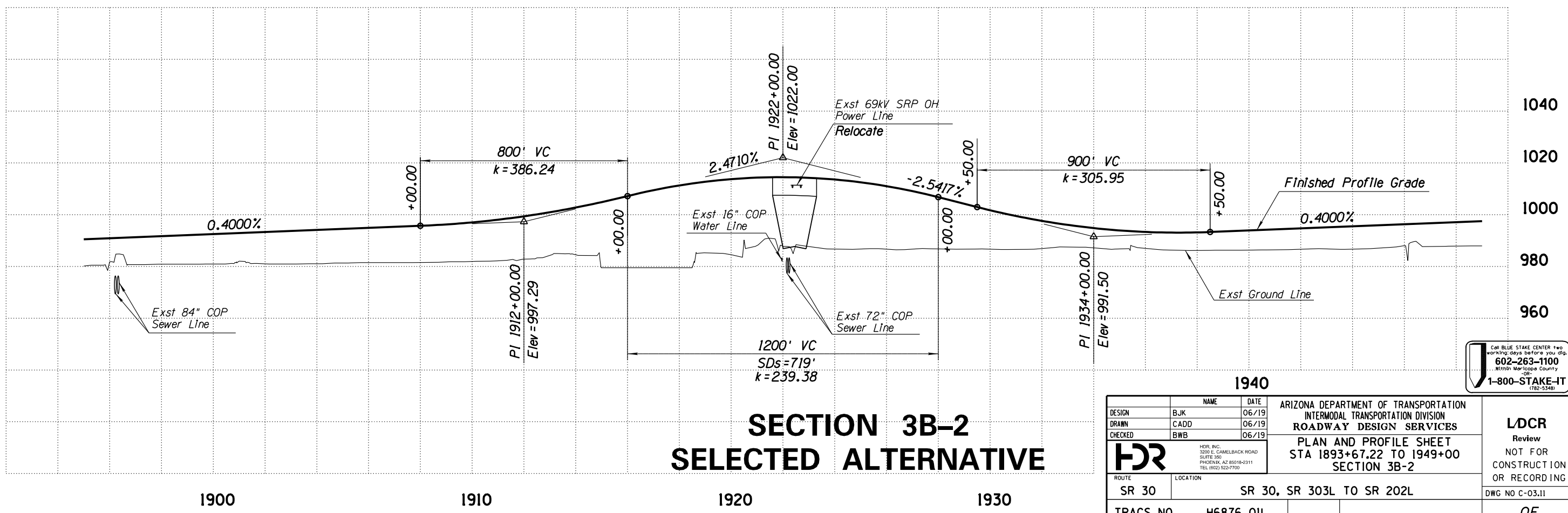
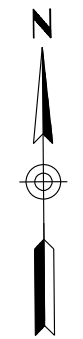
CALL BLUE STAKE CENTER two  
 working days before you dig.  
 602-263-1100  
 Maricopa County  
 1-800-STAKE-IT  
 (782-5348)

F.H.W.A. REGION	STATE	PROJECT NO.	SHEET NO.	TOTAL SHEETS	RECORD DRAWING
9	ARIZ.				

030 MA 000



SR 30 Cst E 1877+60.44 Bk =  
(Section 2H) =  
SR 30 Cst E Sta 1893+67.22 And  
(Section 3B-2)



## SECTION 3B-2 SELECTED ALTERNATIVE

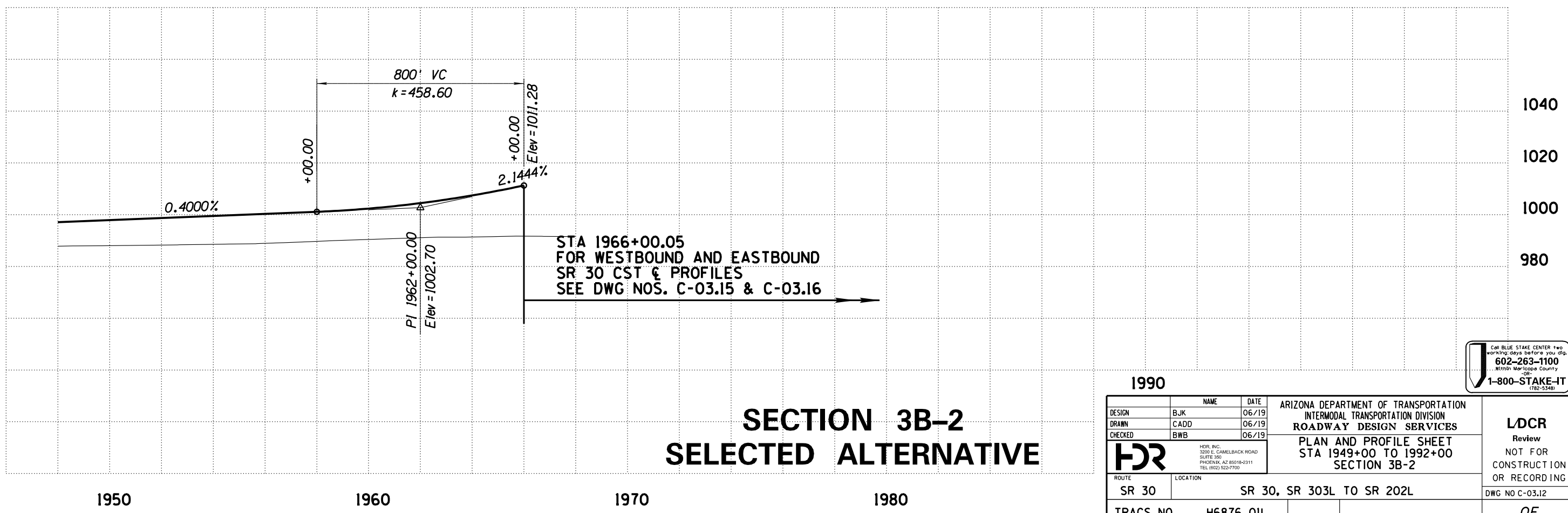
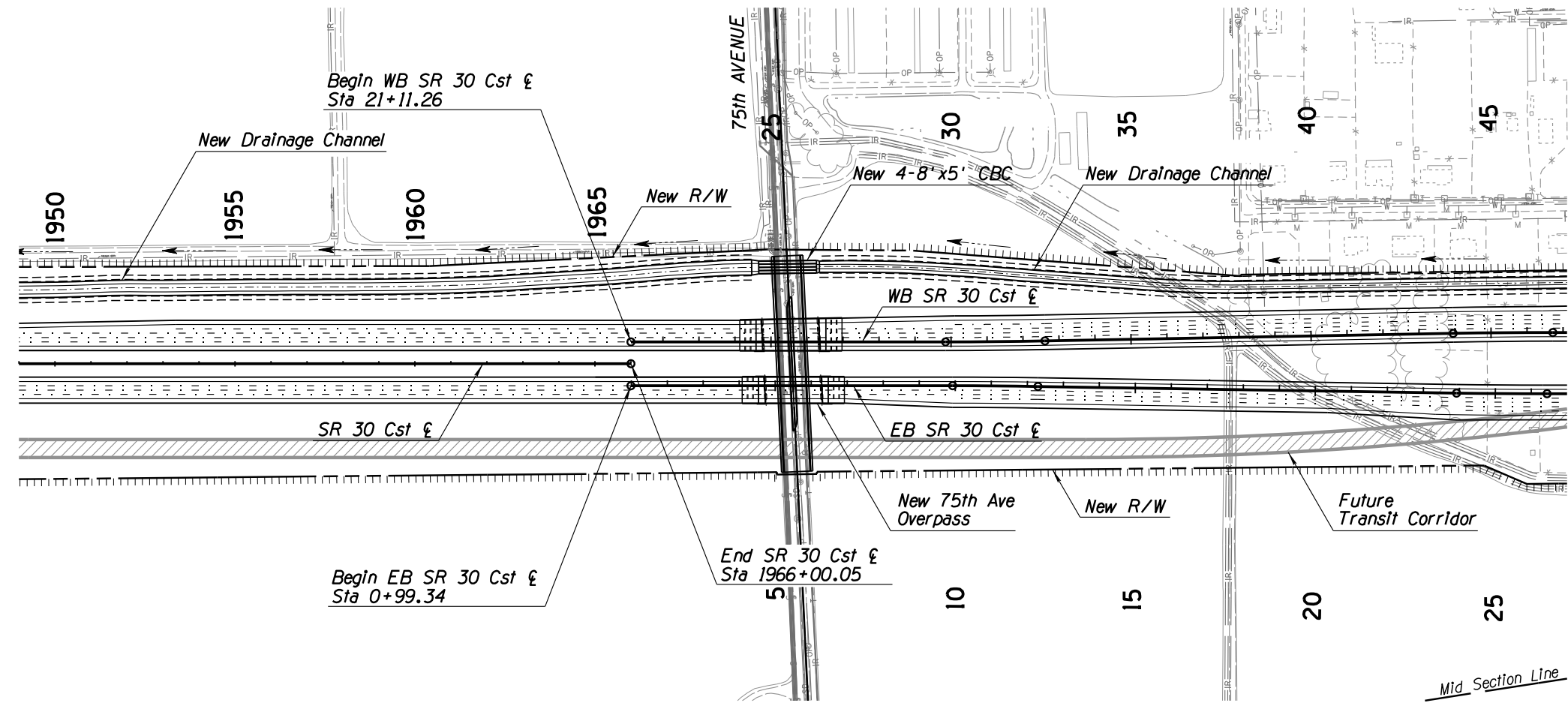
<table border="1"> <tr> <th>DESIGN</th> <td>BJK</td> <td>DATE</td> <td>06/19</td> </tr> <tr> <th>DRAWN</th> <td>CADD</td> <td>DATE</td> <td>06/19</td> </tr> <tr> <th>CHECKED</th> <td>BWB</td> <td>DATE</td> <td>06/19</td> </tr> </table>		DESIGN	BJK	DATE	06/19	DRAWN	CADD	DATE	06/19	CHECKED	BWB	DATE	06/19	<p style="text-align: center;"><b>1940</b></p> <p style="text-align: center;">ARIZONA DEPARTMENT OF TRANSPORTATION INTERMODAL TRANSPORTATION DIVISION ROADWAY DESIGN SERVICES</p> <p style="text-align: center;">PLAN AND PROFILE SHEET STA 1893+67.22 TO 1949+00 SECTION 3B-2</p>		<p style="text-align: center;"><b>LDCR</b> Review NOT FOR CONSTRUCTION OR RECORDING</p>
DESIGN	BJK	DATE	06/19													
DRAWN	CADD	DATE	06/19													
CHECKED	BWB	DATE	06/19													
<table border="1"> <tr> <th>ROUTE</th> <td>SR 30</td> <th>LOCATION</th> <td>SR 30, SR 303L TO SR 202L</td> </tr> <tr> <th>TRACS NO.</th> <td>H6876 OIL</td> <td></td> <td></td> </tr> </table>		ROUTE	SR 30	LOCATION	SR 30, SR 303L TO SR 202L	TRACS NO.	H6876 OIL			<p style="text-align: center;">DWG NO C-03.11 OF</p>						
ROUTE	SR 30	LOCATION	SR 30, SR 303L TO SR 202L													
TRACS NO.	H6876 OIL															

CALL BLUE STAKE CENTER TWO WORKING DAYS BEFORE YOU DIG.  
602-263-1100  
Maricopa County  
1-800-STAKE-IT  
(782-5348)

DATE LOCATION REVISIONS FINISHED PLANS SURVEY NO. DATE LOCATION REVISIONS FINISHED PLANS SURVEY NO.

F.H.W.A. REGION	STATE	PROJECT NO.	SHEET NO.	TOTAL SHEETS	RECORD DRAWING
9	ARIZ.				

030 MA 000



## SECTION 3B-2 SELECTED ALTERNATIVE

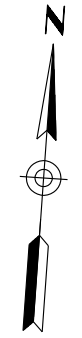
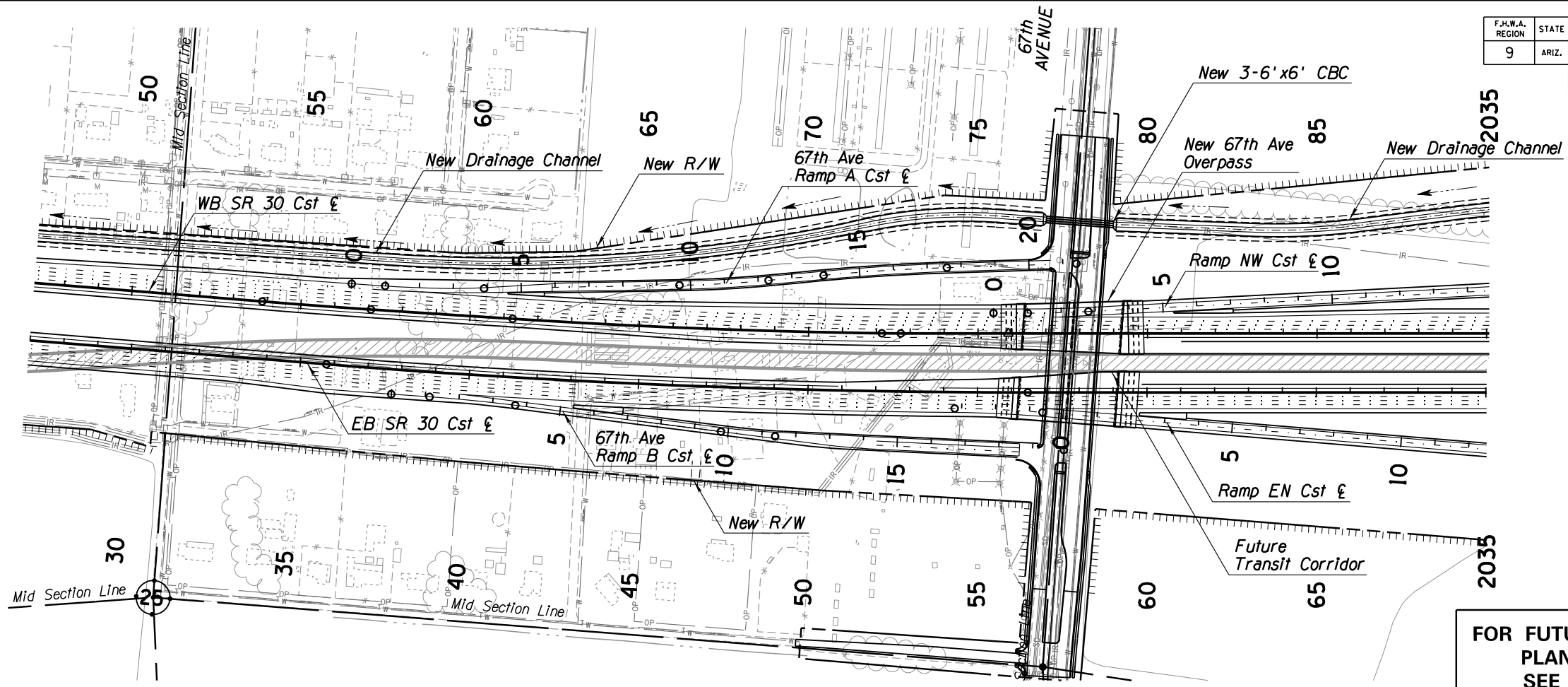
1990		ARIZONA DEPARTMENT OF TRANSPORTATION INTERMODAL TRANSPORTATION DIVISION ROADWAY DESIGN SERVICES PLAN AND PROFILE SHEET STA 1949+00 TO 1992+00 SECTION 3B-2	<b>LDCR</b> Review NOT FOR CONSTRUCTION OR RECORDING DWG NO C-03.12 OF	
DESIGN	NAME			DATE
DRAWN	CADD			DATE
CHECKED	BWB			DATE
		<small>HDR, INC.          3200 E. GAMBELBACK ROAD          SUITE 300          PHOENIX, AZ 85018-2311          TEL: (602) 922-7700</small>		
ROUTE	LOCATION			
SR 30	SR 30, SR 303L TO SR 202L			
TRACS NO.	H6876 OIL			

CALL BLUE STAKE CENTER two working days before you dig.  
 602-263-1100  
 Maricopa County  
 1-800-STAKE-IT  
 (782-5348)

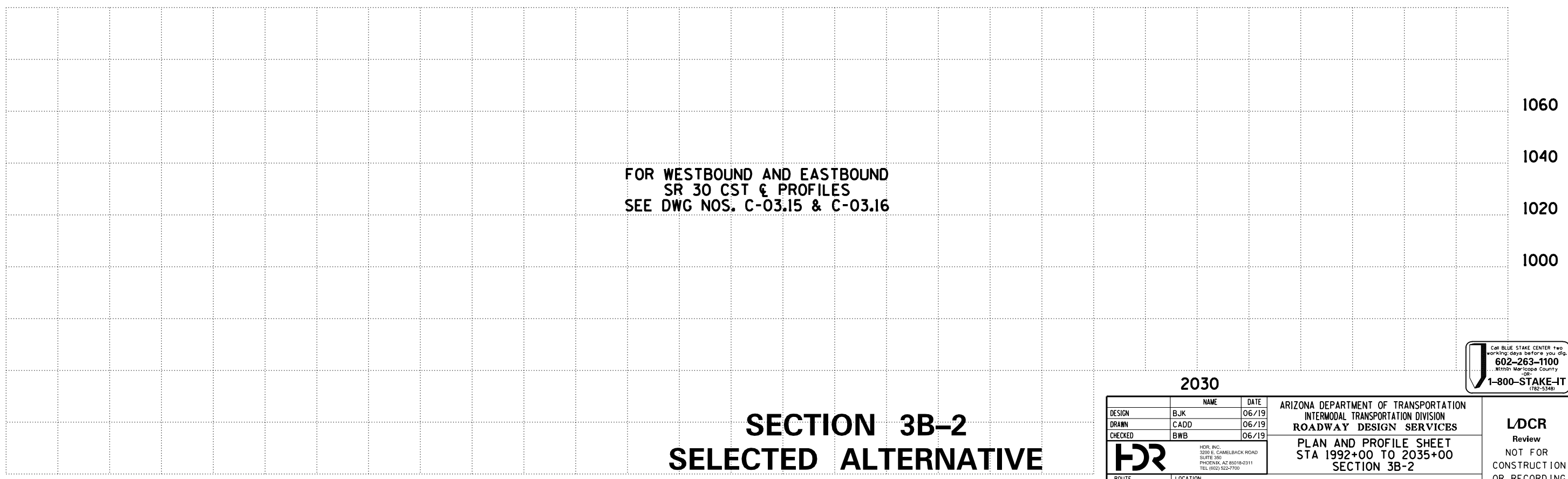
DATE LOCATION REVISIONS FINISHED PLANS SURVEY NO. DATE LOCATION REVISIONS FINISHED PLANS SURVEY NO.

F.H.W.A. REGION	STATE	PROJECT NO.	SHEET NO.	TOTAL SHEETS	RECORD DRAWING
9	ARIZ.				

030 MA 000



**FOR FUTURE SR 30 EAST LEG  
PLAN AND PROFILES  
SEE FUTURE SHEETS**



**SECTION 3B-2  
SELECTED ALTERNATIVE**

<table border="1"> <tr> <th>DESIGN</th> <td>BJK</td> <td>DATE</td> <td>06/19</td> </tr> <tr> <th>DRAWN</th> <td>CADD</td> <td>DATE</td> <td>06/19</td> </tr> <tr> <th>CHECKED</th> <td>BWB</td> <td>DATE</td> <td>06/19</td> </tr> </table>		DESIGN	BJK	DATE	06/19	DRAWN	CADD	DATE	06/19	CHECKED	BWB	DATE	06/19	<p>2030</p> <p>ARIZONA DEPARTMENT OF TRANSPORTATION INTERMODAL TRANSPORTATION DIVISION ROADWAY DESIGN SERVICES</p> <p>PLAN AND PROFILE SHEET STA 1992+00 TO 2035+00 SECTION 3B-2</p>		<p><b>LDCR</b> Review NOT FOR CONSTRUCTION OR RECORDING</p>
DESIGN	BJK	DATE	06/19													
DRAWN	CADD	DATE	06/19													
CHECKED	BWB	DATE	06/19													
<p>ROUTE: SR 30      LOCATION: SR 30, SR 303L TO SR 202L</p>		<p>DWG NO C-03.13</p>														
<p>TRACS NO. H6876 OIL</p>		<p>OF</p>														

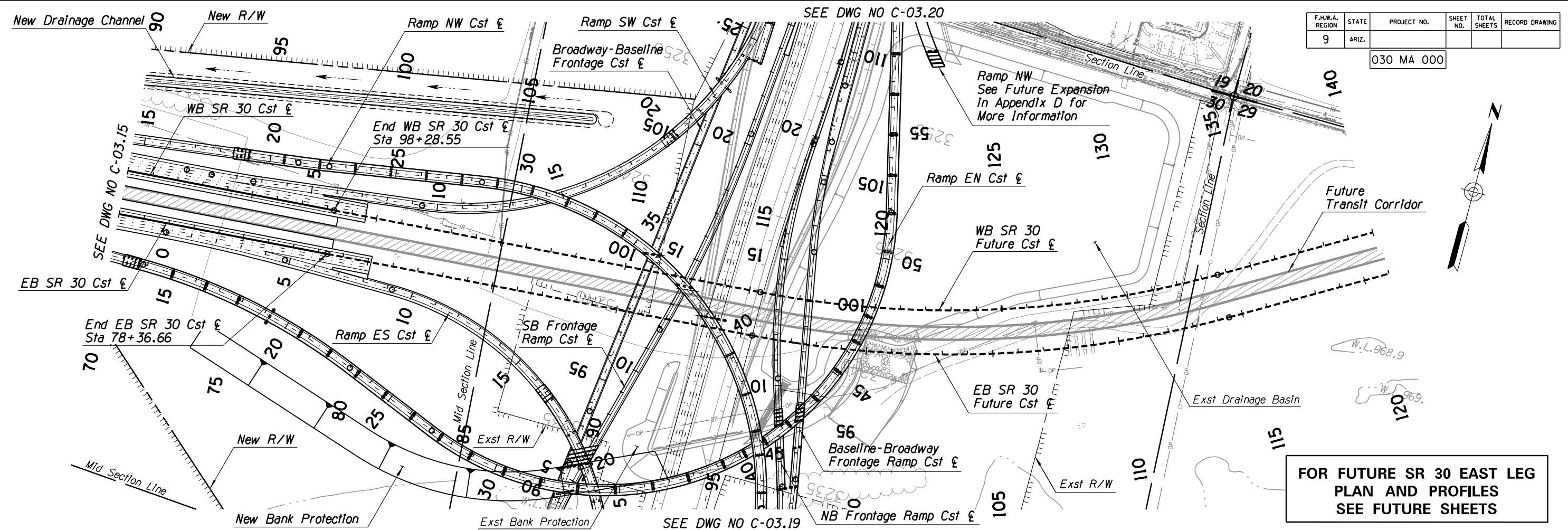
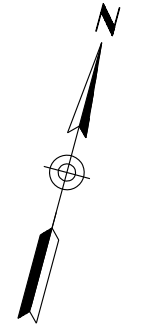
CALL BLUE STAKE CENTER two working days before you dig.  
602-263-1100  
Maricopa County  
1-800-STAKE-IT  
(782-5348)

SURVEY NO. FINISHED PLANS REVISIONS LOCATION DATE  
 SURVEY NO. FINISHED PLANS REVISIONS LOCATION DATE  
 SURVEY NO. FINISHED PLANS REVISIONS LOCATION DATE



F.H.W.A. REGION	STATE	PROJECT NO.	SHEET NO.	TOTAL SHEETS	RECORD DRAWING
9	ARIZ.				

030 MA 000



**FOR FUTURE SR 30 EAST LEG  
PLAN AND PROFILES  
SEE FUTURE SHEETS**

**FOR WESTBOUND AND EASTBOUND  
SR 30 CST E PROFILES  
SEE DWG NOS. C-03.15 & C-03.16**

**FOR RAMP PROFILES  
SEE DWG NOS C-04.08 TO C-04.17**

# SECTION 3B-2 SELECTED ALTERNATIVE

2030

DESIGN	NAME	DATE
BJK		06/19
DRAWN	CADD	06/19
CHECKED	BWB	06/19

ARIZONA DEPARTMENT OF TRANSPORTATION  
INTERMODAL TRANSPORTATION DIVISION  
ROADWAY DESIGN SERVICES

CALL BLUE STAKE CENTER two  
working days before you dig.  
**602-263-1100**  
Maricopa County  
**1-800-STAKE-IT**  
(782-5348)

**LDCR**  
Review  
NOT FOR  
CONSTRUCTION  
OR RECORDING

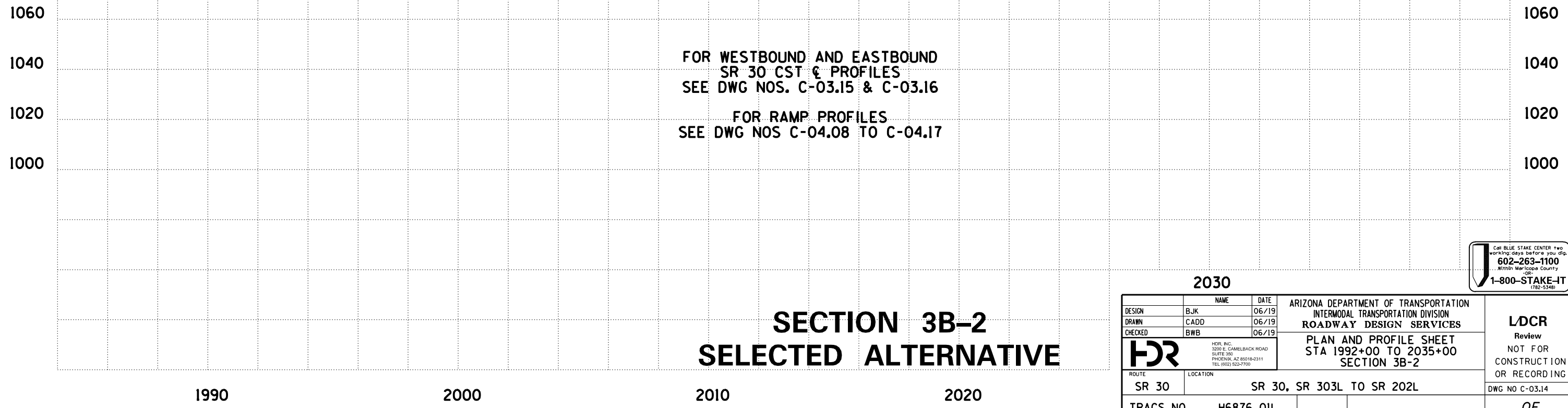
ROUTE	LOCATION
SR 30	SR 30, SR 303L TO SR 202L

TRACS NO. H6876 OIL

DWG NO C-03.14

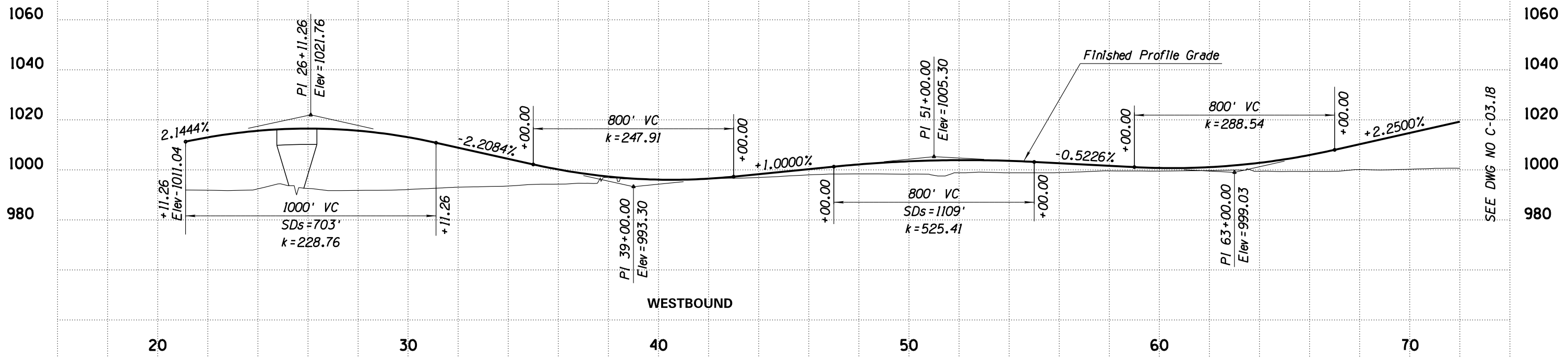
OF

DATE- LOCATION- REVISIONS- FINISHED PLANS- SURVEY NO. DATE- LOCATION- REVISIONS- FINISHED PLANS- SURVEY NO.

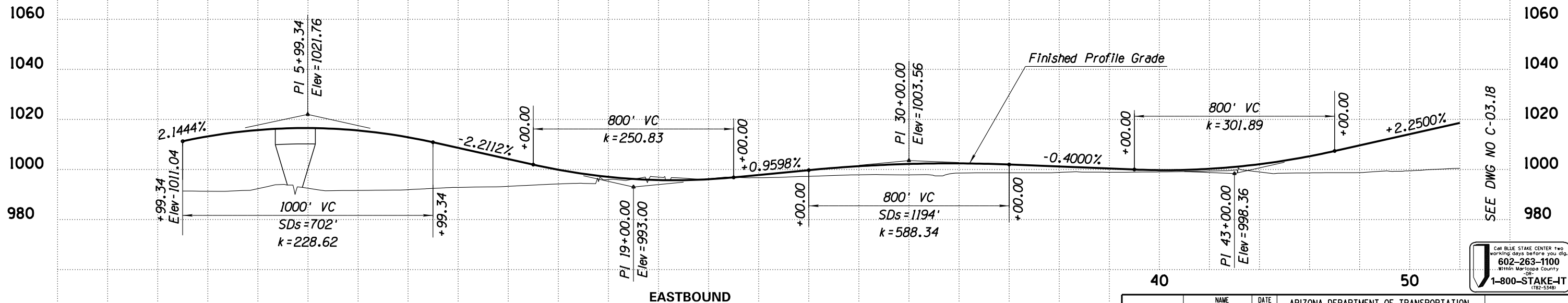


F.H.W.A. REGION	STATE	PROJECT NO.	SHEET NO.	TOTAL SHEETS	RECORD DRAWING
9	ARIZ.				

030 MA 000



SEE DWG NO C-03.18



SEE DWG NO C-03.18

## SECTION 3B-2 SELECTED ALTERNATIVE

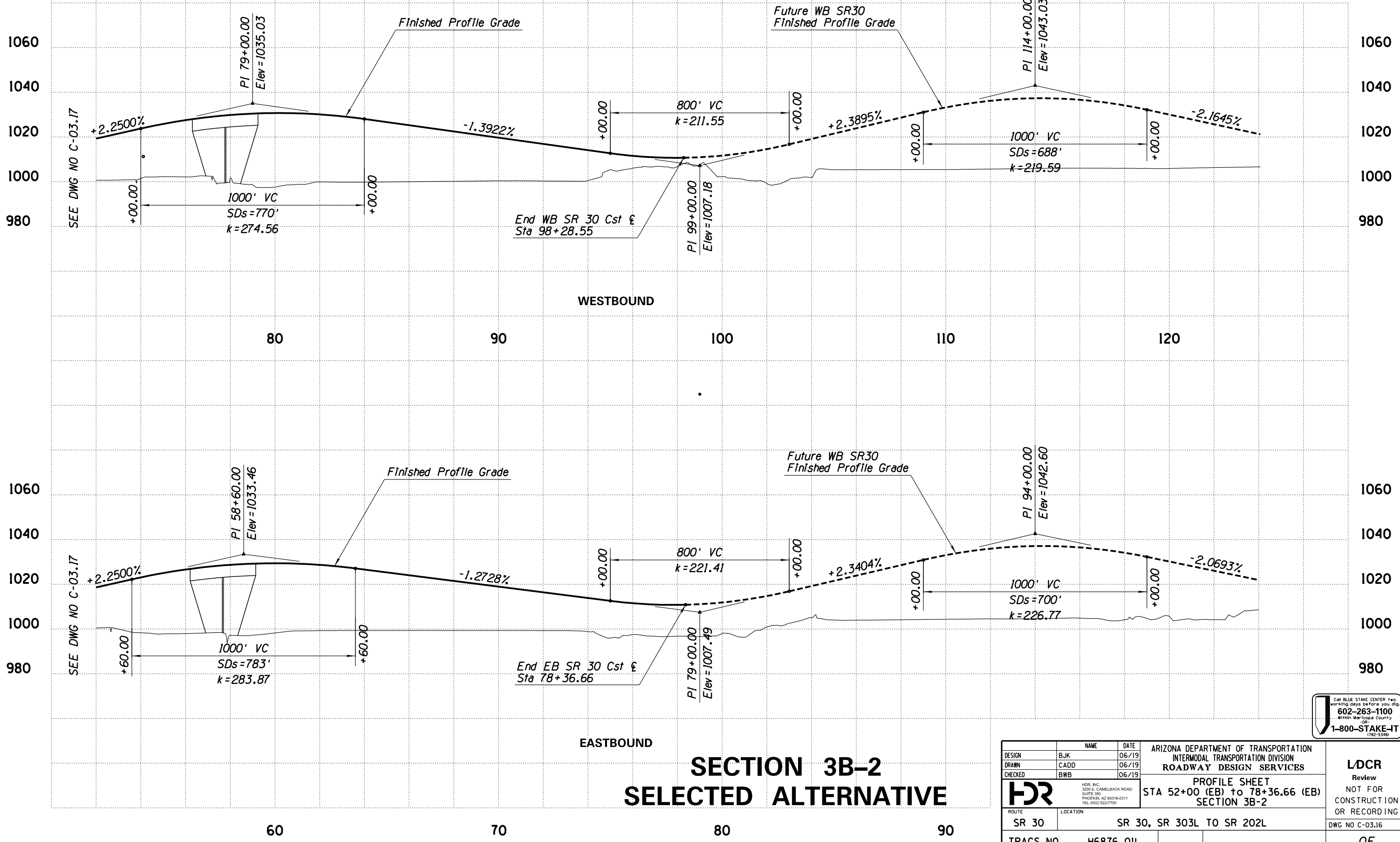
DESIGN	BJK	DATE	06/19	ARIZONA DEPARTMENT OF TRANSPORTATION INTERMODAL TRANSPORTATION DIVISION ROADWAY DESIGN SERVICES	<b>LDCR</b> Review NOT FOR CONSTRUCTION OR RECORDING
DRAWN	CADD	DATE	06/19		
CHECKED	BWB	DATE	06/19		
ROUTE		SR 30, SR 303L TO SR 202L			
TRACS NO.		H6876 OIL			
LOCATION		SR 30, SR 303L TO SR 202L			
PROFILE SHEET		STA 0+99.34 (EB) TO 52+00 (EB) SECTION 3B-2			
DWG NO		C-03.15			
OF					

Call BLUE STAKE CENTER two working days before you dig.  
602-263-1100  
Within Maricopa County  
1-800-STAKE-IT  
(762-5348)

SURVEY NO. FINISHED PLANS- LOCATION- DATE- REVISIONS- FINISHED PLANS- LOCATION- DATE- SURVEY NO. FINISHED PLANS- LOCATION- DATE-

F.H.W.A. REGION	STATE	PROJECT NO.	SHEET NO.	TOTAL SHEETS	RECORD DRAWING
9	ARIZ.				

030 MA 000



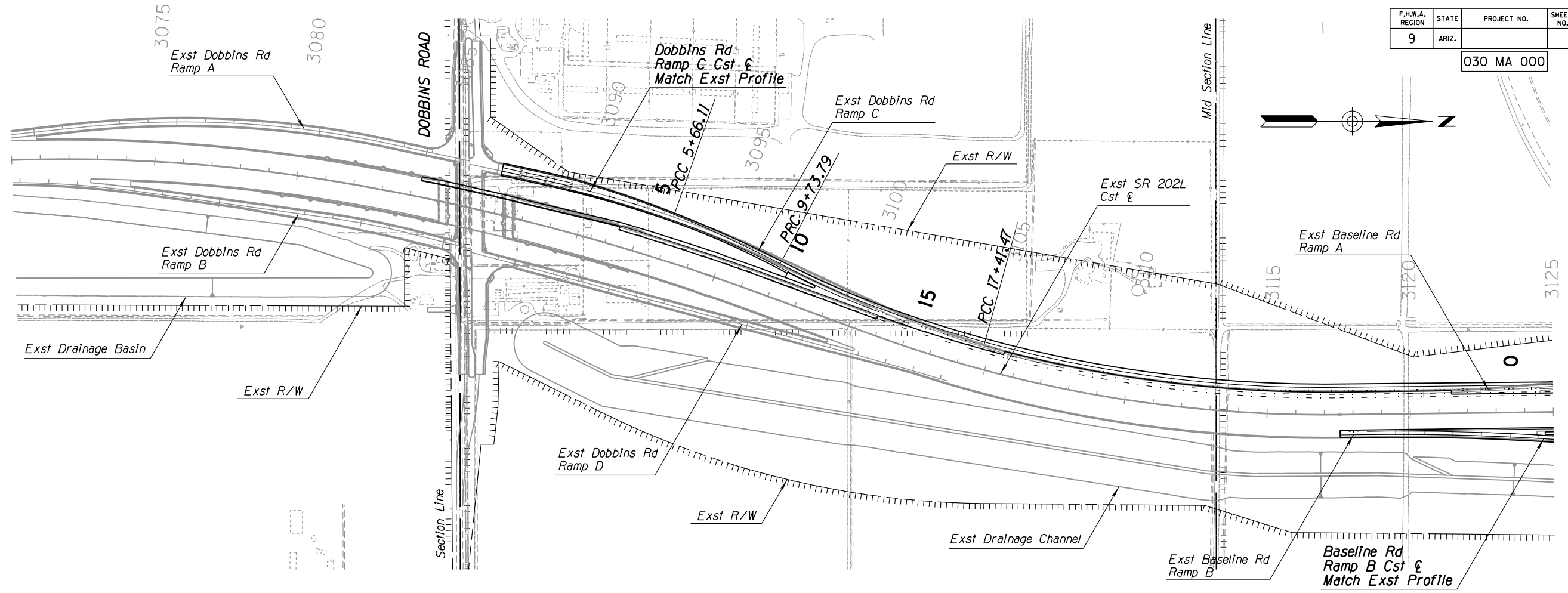
DATE- LOCATION- REVISIONS- SURVEY NO. DATE- LOCATION- REVISIONS- SURVEY NO.

DESIGN	BJK	DATE	06/19	ARIZONA DEPARTMENT OF TRANSPORTATION INTERMODAL TRANSPORTATION DIVISION ROADWAY DESIGN SERVICES	<b>LDCR</b> Review NOT FOR CONSTRUCTION OR RECORDING
DRAWN	CADD	DATE	06/19		
CHECKED	BWB	DATE	06/19		
<b>HR</b>		<small>HR, INC. 3200 E. GAMBELBACK ROAD SUITE 300 PHOENIX, AZ 85018-2311 TEL (602) 922-7700</small>		<b>PROFILE SHEET</b> STA 52+00 (EB) to 78+36.66 (EB) SECTION 3B-2	DWG NO C-03.16
ROUTE	SR 30	LOCATION	SR 30, SR 303L TO SR 202L	TRACS NO.	H6876 OIL

Call BLUE STAKE CENTER two working days before you dig.  
602-263-1100  
Within Maricopa County  
1-800-STAKE-IT (782-5348)

F.H.W.A. REGION	STATE	PROJECT NO.	SHEET NO.	TOTAL SHEETS	RECORD DRAWING
9	ARIZ.				

030 MA 000



CROSS ROAD RAMP PROFILES  
TO MATCH EXISTING. DETAILED  
PROFILE IS NOT PROVIDED AT THIS TIME

## SECTION 3B-2 SELECTED ALTERNATIVE

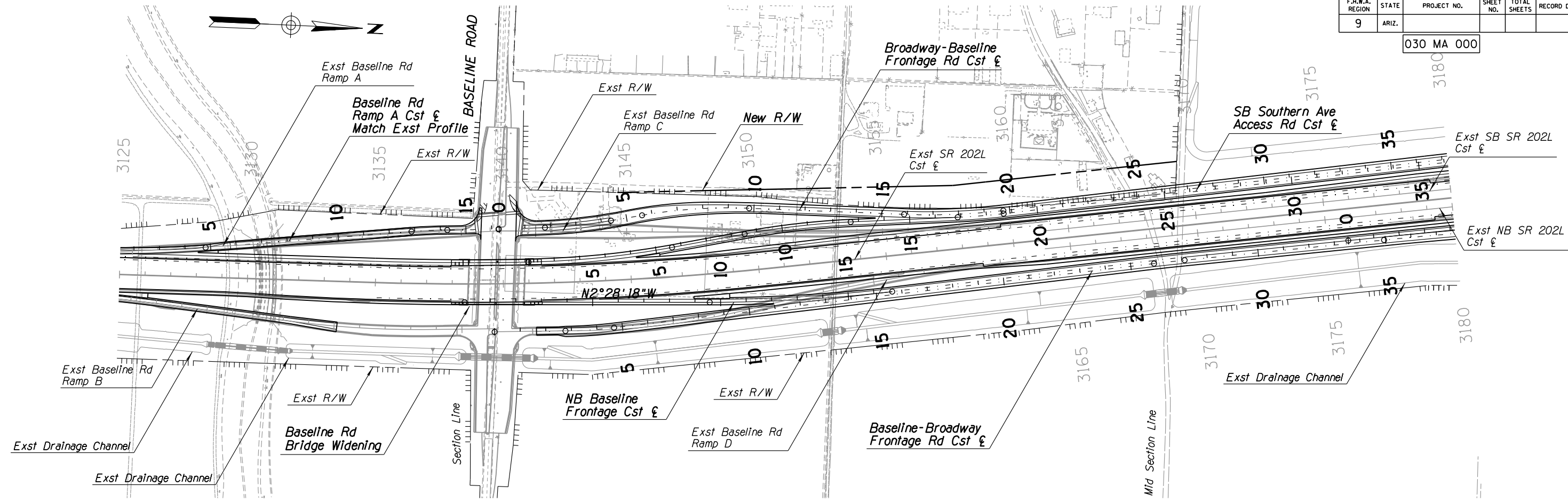
CALL BLUE STAKE CENTER two working days before you dig.  
**602-263-1100**  
Maricopa County  
**1-800-STAKE-IT**  
(782-5348)

DESIGN	BJK	DATE	06/19	ARIZONA DEPARTMENT OF TRANSPORTATION INTERMODAL TRANSPORTATION DIVISION ROADWAY DESIGN SERVICES	<b>LDCR</b> Review NOT FOR CONSTRUCTION OR RECORDING
DRAWN	CADD	DATE	06/19		
CHECKED	BWB	DATE	06/19		
<b>HR</b>		HDR, INC. 3200 E. GAMBELBACK ROAD SUITE 300 PHOENIX, AZ 85018-2311 TEL (602) 922-7700		PLAN SHEET STA 3070+00 TO 3125+00 SECTION 3B-2	
ROUTE	SR 30	LOCATION	SR 30, SR 303L TO SR 202L		
TRACS NO.	H6876 OIL		DWG NO C-03.17 <u>OF</u>		

DATE- LOCATION- REVISIONS- FINISHED PLANS- SURVEY NO. DATE- LOCATION- REVISIONS- FINISHED PLANS- SURVEY NO.

F.H.W.A. REGION	STATE	PROJECT NO.	SHEET NO.	TOTAL SHEETS	RECORD DRAWING
9	ARIZ.				

030 MA 000



FOR FRONTAGE ROAD PROFILES  
SEE DWG NOS. C-04.08 TO C-04.17

CROSS ROAD RAMP PROFILES  
TO MATCH EXISTING. DETAILED  
PROFILE IS NOT PROVIDED AT THIS TIME

## SECTION 3B-2 SELECTED ALTERNATIVE

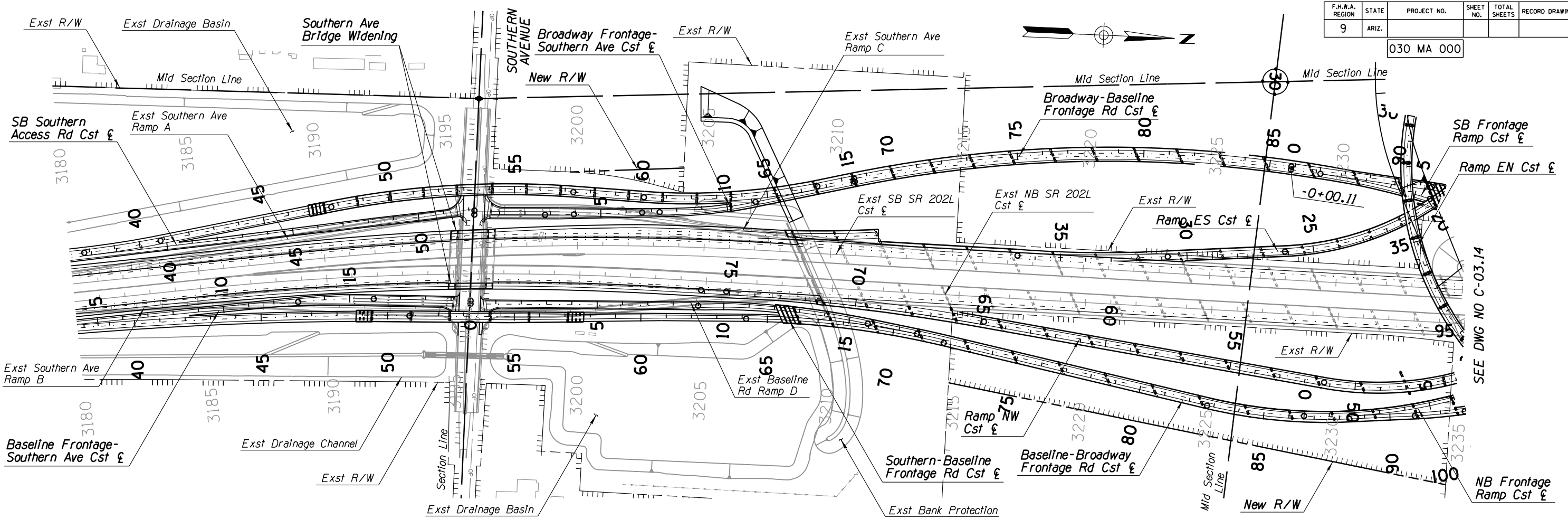
CALL BLUE STAKE CENTER two working days before you dig.  
**602-263-1100**  
Maricopa County  
**1-800-STAKE-IT**  
(782-5348)

DESIGN	NAME	DATE	ARIZONA DEPARTMENT OF TRANSPORTATION INTERMODAL TRANSPORTATION DIVISION ROADWAY DESIGN SERVICES	<b>LDCR</b> Review NOT FOR CONSTRUCTION OR RECORDING
DRAWN	BJK	06/19		
CHECKED	CADD	06/19		
	BWB	06/19	PLAN SHEET STA 3125+00 TO 3180+00 SECTION 3B-2	DWG NO C-03.18
ROUTE	SR 30	LOCATION	SR 30, SR 303L TO SR 202L	TRACS NO. H6876 OIL

SURVEY NO. FINISHED PLANS REVISIONS LOCATION DATE

F.H.W.A. REGION	STATE	PROJECT NO.	SHEET NO.	TOTAL SHEETS	RECORD DRAWING
9	ARIZ.				

030 MA 000



FOR FRONTAGE ROAD AND INTERCHANGE RAMP PROFILES SEE DWG NOS. C-04.08 TO C-04.17  
 CROSS ROAD RAMP PROFILES TO MATCH EXISTING. DETAILED PROFILE IS NOT PROVIDED AT THIS TIME

## SECTION 3B-2 SELECTED ALTERNATIVE

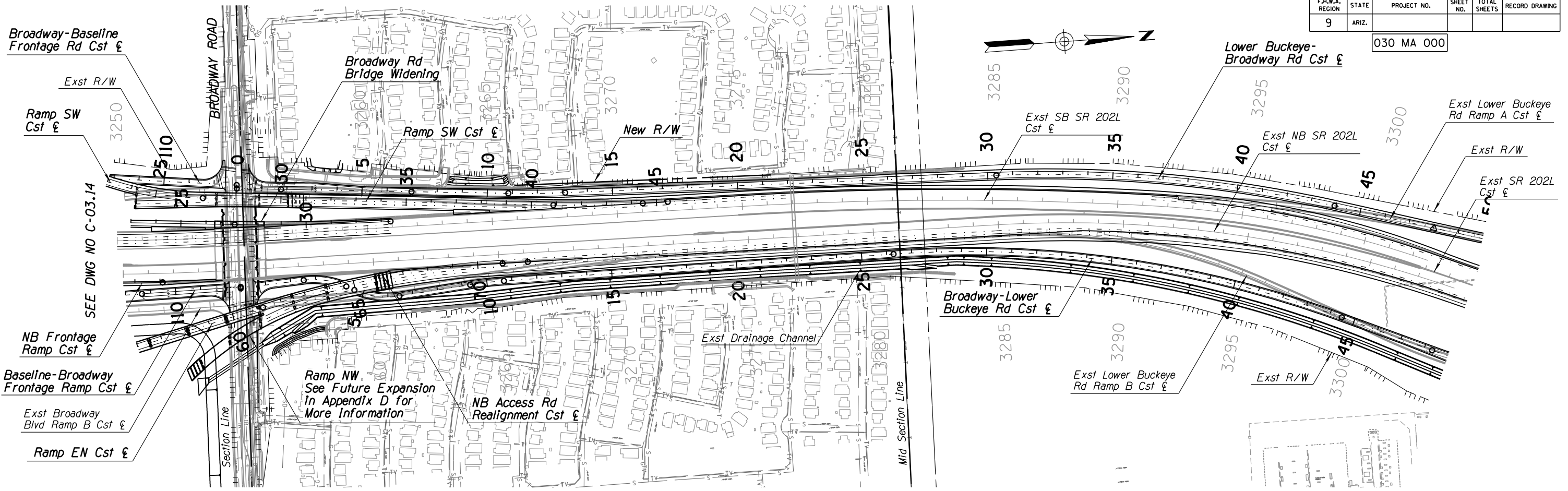
CALL BLUE STAKE CENTER two working days before you dig.  
 602-263-1100  
 Within Maricopa County OR  
 1-800-STAKE-IT (782-5348)

DESIGN	NAME	DATE	ARIZONA DEPARTMENT OF TRANSPORTATION INTERMODAL TRANSPORTATION DIVISION ROADWAY DESIGN SERVICES	LDCR Review NOT FOR CONSTRUCTION OR RECORDING DWG NO C-03.19
DRAWN	BJK	06/19		
CHECKED	CADD	06/19		
			PLAN SHEET STA 3180+00 TO 3235+00 SECTION 3B-2	
ROUTE	SR 30	LOCATION	SR 30, SR 303L TO SR 202L	
TRACS NO.	H6876 OIL			OF

SURVEY NO. FINISHED PLANS- REVISIONS- LOCATION- DATE- FINISHED PLANS- REVISIONS- LOCATION- DATE-

F.H.W.A. REGION	STATE	PROJECT NO.	SHEET NO.	TOTAL SHEETS	RECORD DRAWING
9	ARIZ.				

030 MA 000



FOR FRONTAGE ROAD AND INTERCHANGE RAMP PROFILES SEE DWG NOS. C-04.08 TO C-04.17

CROSS ROAD RAMP PROFILES TO MATCH EXISTING. DETAILED PROFILE IS NOT PROVIDED AT THIS TIME

## SECTION 3B-2 SELECTED ALTERNATIVE

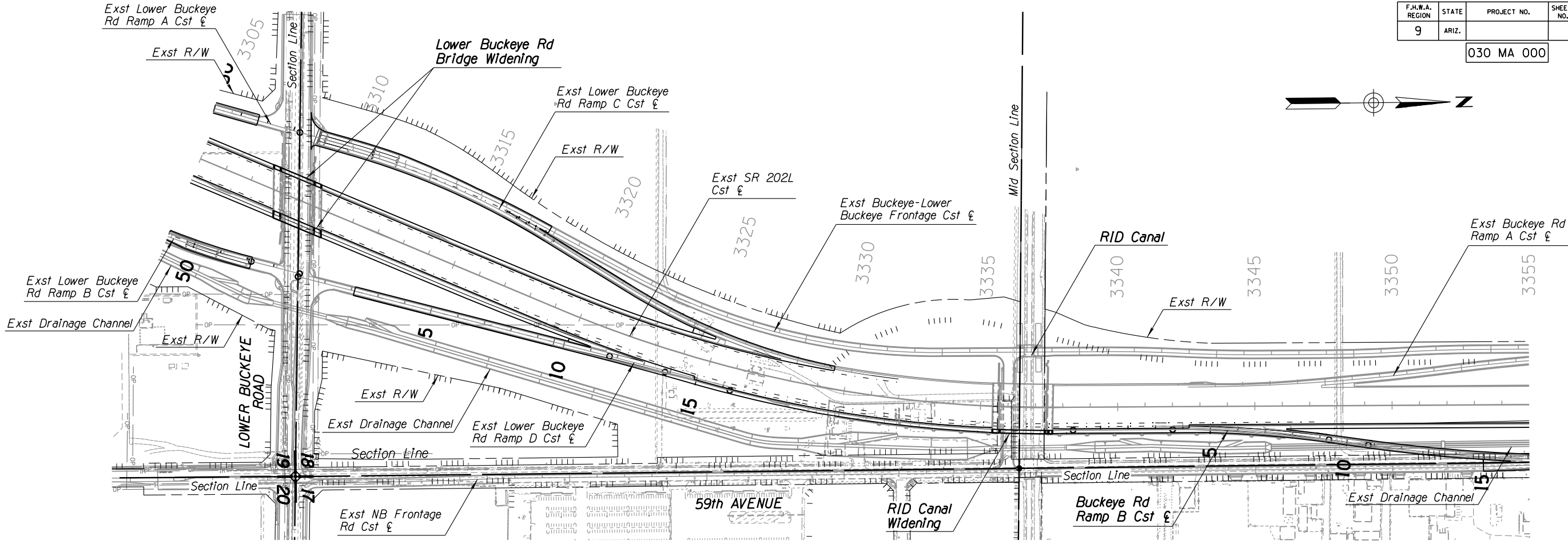
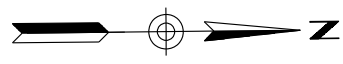
CALL BLUE STAKE CENTER two working days before you dig.  
602-263-1100  
Maricopa County  
1-800-STAKE-IT (782-5348)

DESIGN	NAME	DATE	ARIZONA DEPARTMENT OF TRANSPORTATION INTERMODAL TRANSPORTATION DIVISION ROADWAY DESIGN SERVICES	LDCR Review NOT FOR CONSTRUCTION OR RECORDING DWG NO C-03.20
DRAWN	BJK	06/19		
CHECKED	BWB	06/19		
			PLAN SHEET STA 3250+00 TO 3305+00 SECTION 3B-2	
ROUTE	LOCATION	SR 30, SR 303L TO SR 202L		
TRACS NO.	H6876 OIL			

DATE- LOCATION- REVISIONS- FINISHED PLANS- SURVEY NO. DATE- LOCATION- REVISIONS- FINISHED PLANS- SURVEY NO.

F.H.W.A. REGION	STATE	PROJECT NO.	SHEET NO.	TOTAL SHEETS	RECORD DRAWING
9	ARIZ.				

030 MA 000



CROSS ROAD RAMP PROFILES  
TO MATCH EXISTING. DETAILED  
PROFILE IS NOT PROVIDED AT THIS TIME

## SECTION 3B-2 SELECTED ALTERNATIVE

CALL BLUE STAKE CENTER two  
working days before you dig.  
**602-263-1100**  
Maricopa County  
OR  
**1-800-STAKE-IT**  
(782-5348)

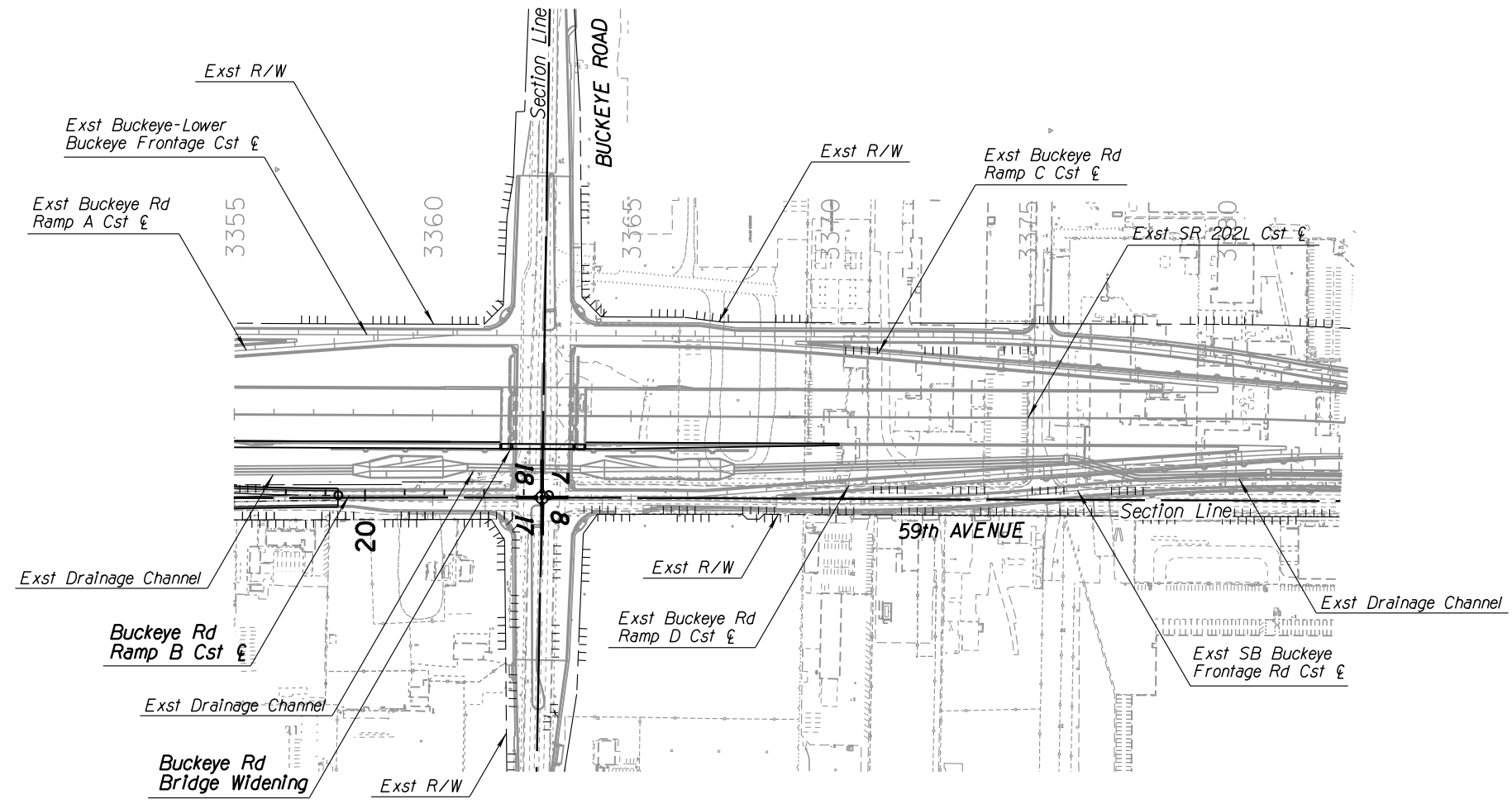
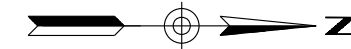
DESIGN	NAME	DATE	ARIZONA DEPARTMENT OF TRANSPORTATION INTERMODAL TRANSPORTATION DIVISION ROADWAY DESIGN SERVICES	LDCR Review NOT FOR CONSTRUCTION OR RECORDING DWG NO C-03.21
DRAWN	BJK	06/19		
CHECKED	CADD	06/19		
	BWB	06/19	PLAN SHEET STA 3305+00 TO 3355+00 SECTION 3B-2	
ROUTE	SR 30	LOCATION	SR 30, SR 303L TO SR 202L	
TRACS NO.	H6876 OIL			OF

DATE: LOCATION: REVISIONS: FINISHED PLANS: SURVEY NO.



F.H.W.A. REGION	STATE	PROJECT NO.	SHEET NO.	TOTAL SHEETS	RECORD DRAWING
9	ARIZ.				

030 MA 000



CROSS ROAD RAMP PROFILES TO MATCH EXISTING. DETAILED PROFILE IS NOT PROVIDED AT THIS TIME

# SECTION 3B-2 SELECTED ALTERNATIVE

CALL BLUE STAKE CENTER two working days before you dig.  
602-263-1100  
Maricopa County  
1-800-STAKE-IT  
(782-5348)

DESIGN	NAME	DATE	ARIZONA DEPARTMENT OF TRANSPORTATION INTERMODAL TRANSPORTATION DIVISION ROADWAY DESIGN SERVICES	LDCR Review NOT FOR CONSTRUCTION OR RECORDING DWG NO C-03.22
DRAWN	BJK	06/19		
CHECKED	CADD	06/19		
	BWB	06/19	PLAN SHEET STA 3355+00 TO 3383+00 SECTION 3B-2	
ROUTE	SR 30	LOCATION	SR 30, SR 303L TO SR 202L	
TRACS NO.	H6876 OIL			OF

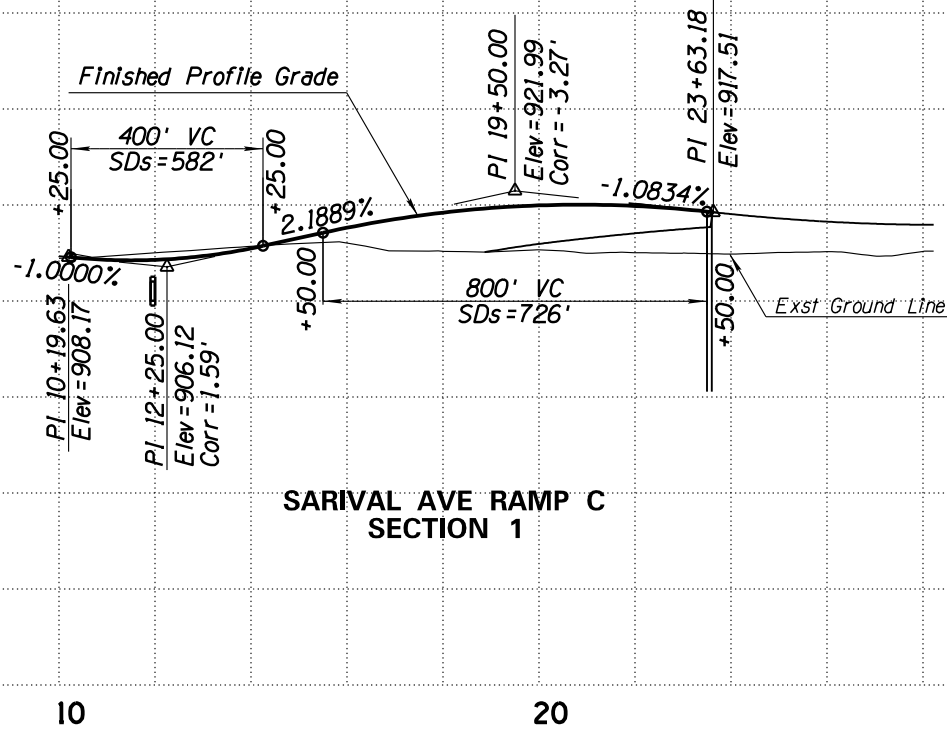
DATE- LOCATION- REVISIONS- FINISHED PLANS- SURVEY NO. DATE- LOCATION- REVISIONS- FINISHED PLANS- SURVEY NO.

F.H.W.A. REGION	STATE	PROJECT NO.	SHEET NO.	TOTAL SHEETS	RECORD DRAWING
9	ARIZ.				

030 MA 000

940  
920  
900  
880

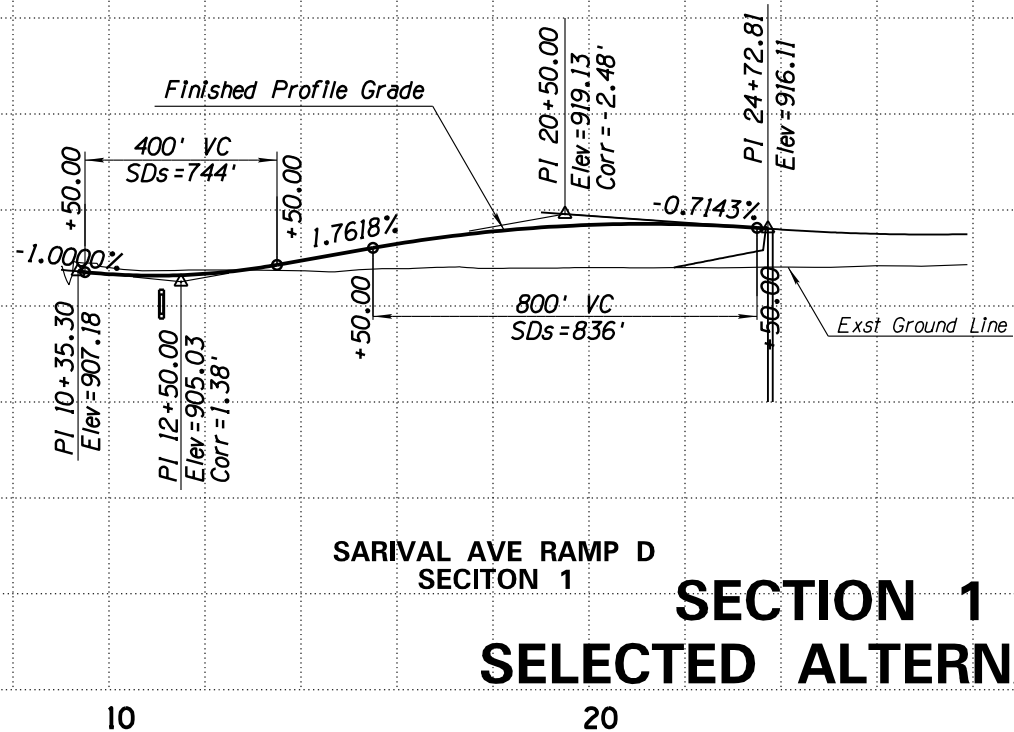
940  
920  
900  
880



SARIVAL AVE RAMP C  
SECTION 1

940  
920  
900  
880

940  
920  
900  
880



SARIVAL AVE RAMP D  
SECTION 1

**SECTION 1  
SELECTED ALTERNATIVE**

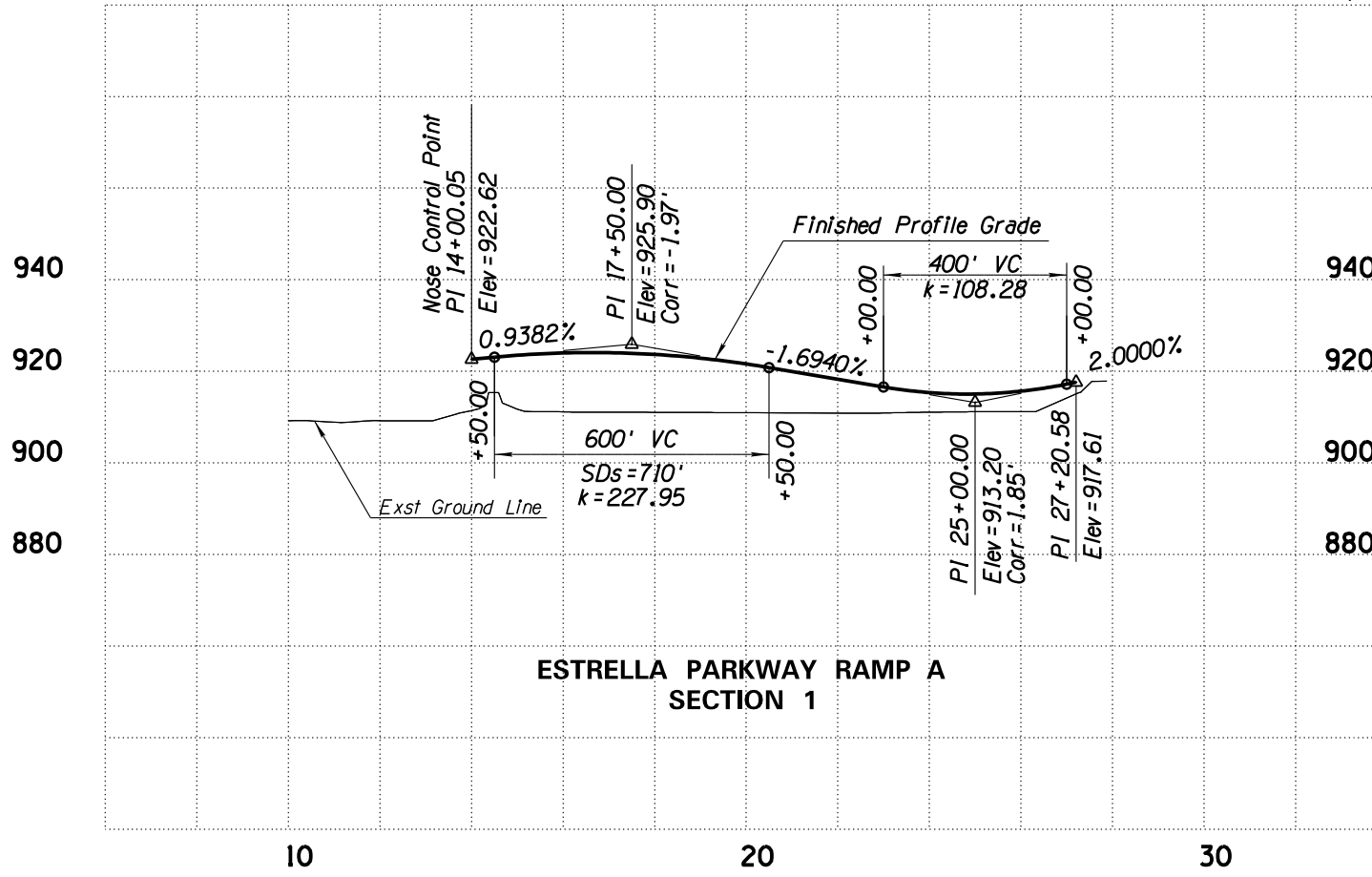
Call BLUE STAKE CENTER two working days before you dig  
602-263-1100  
Within Maricopa County  
OR  
1-800-STAKE-IT  
(182-5348)

DESIGN	BJK	DATE	06/19	ARIZONA DEPARTMENT OF TRANSPORTATION INTERMODAL TRANSPORTATION DIVISION ROADWAY DESIGN SERVICES	<b>LDCR</b> Review NOT FOR CONSTRUCTION OR RECORDING
DRAWN	CADD	DATE	06/19		
CHECKED	BWB	DATE	06/19		
<b>HR</b>		HR, INC. 3200 E. GAMBELBACK ROAD SUITE 300 PHOENIX, AZ 85018-2311 TEL (602) 922-7700		PROFILE SHEET-SARIVAL AVENUE RAMPS C AND D SECTION 1	
ROUTE	SR 30	LOCATION	SR 30, SR 303L TO SR 202L		
TRACS NO.	H6876 OIL		DWG NO C-04.01 OF		

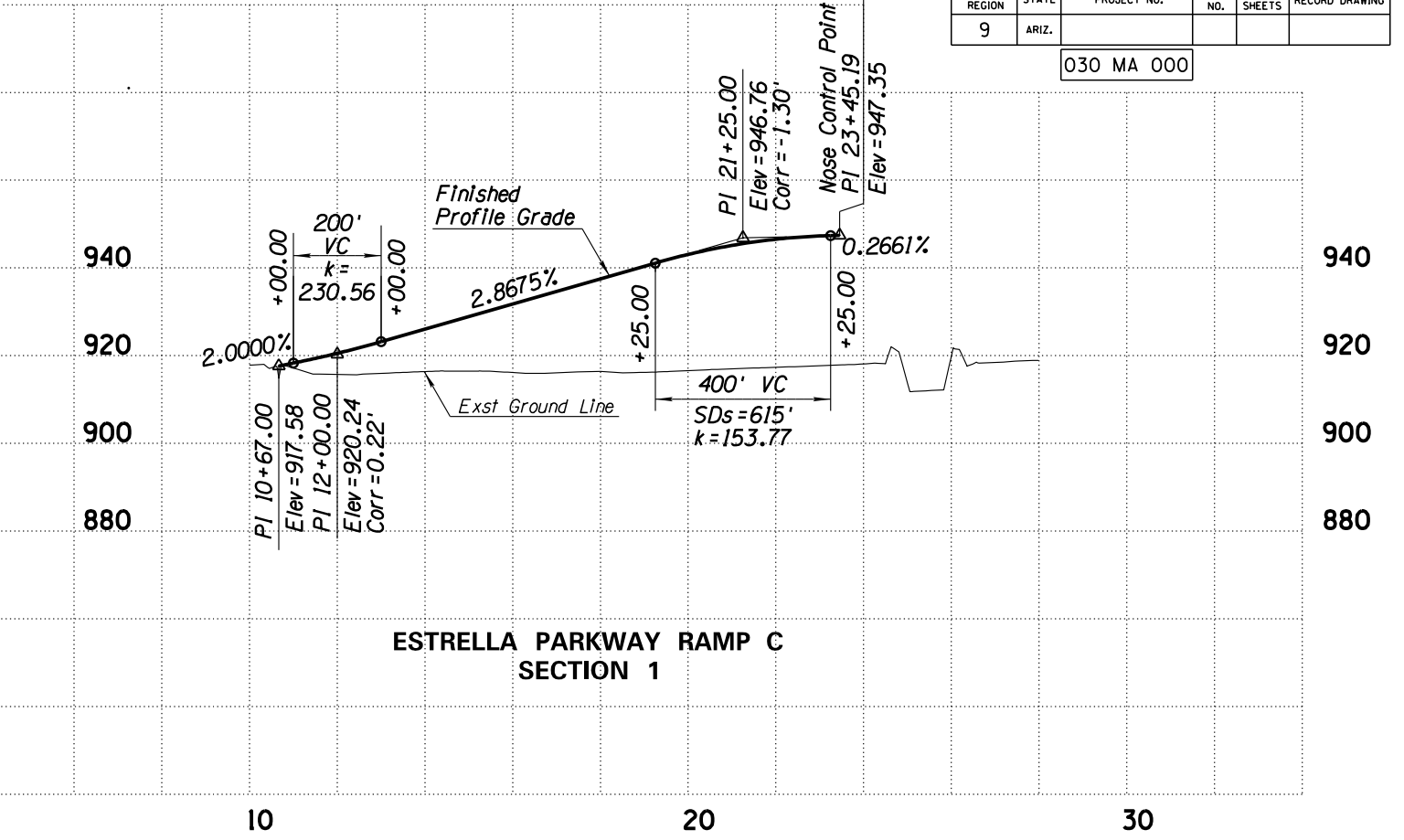
DATE- LOCATION- REVISIONS- FINISHED PLANS- SURVEY NO.

F.H.W.A. REGION	STATE	PROJECT NO.	SHEET NO.	TOTAL SHEETS	RECORD DRAWING
9	ARIZ.				

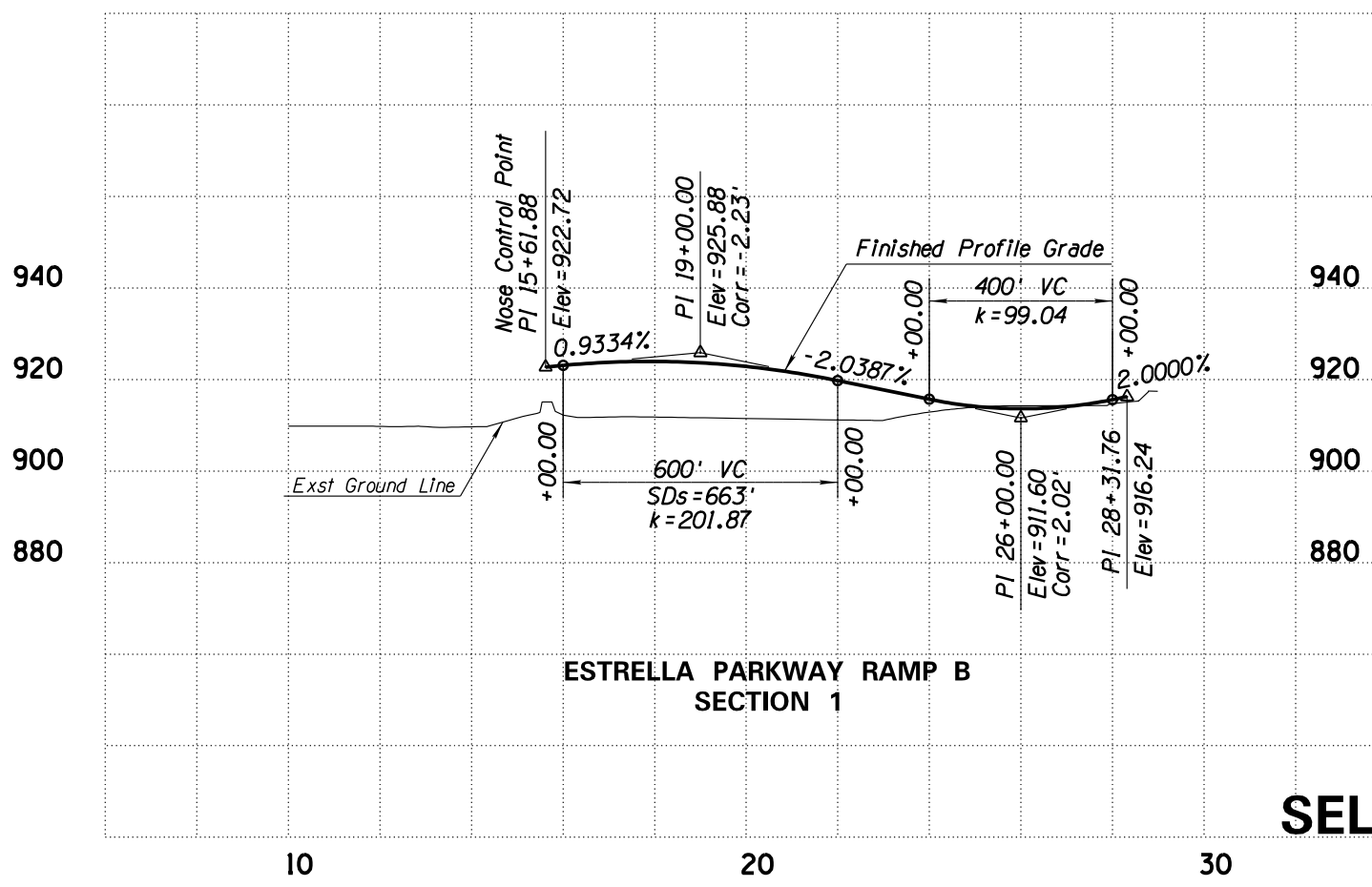
030 MA 000



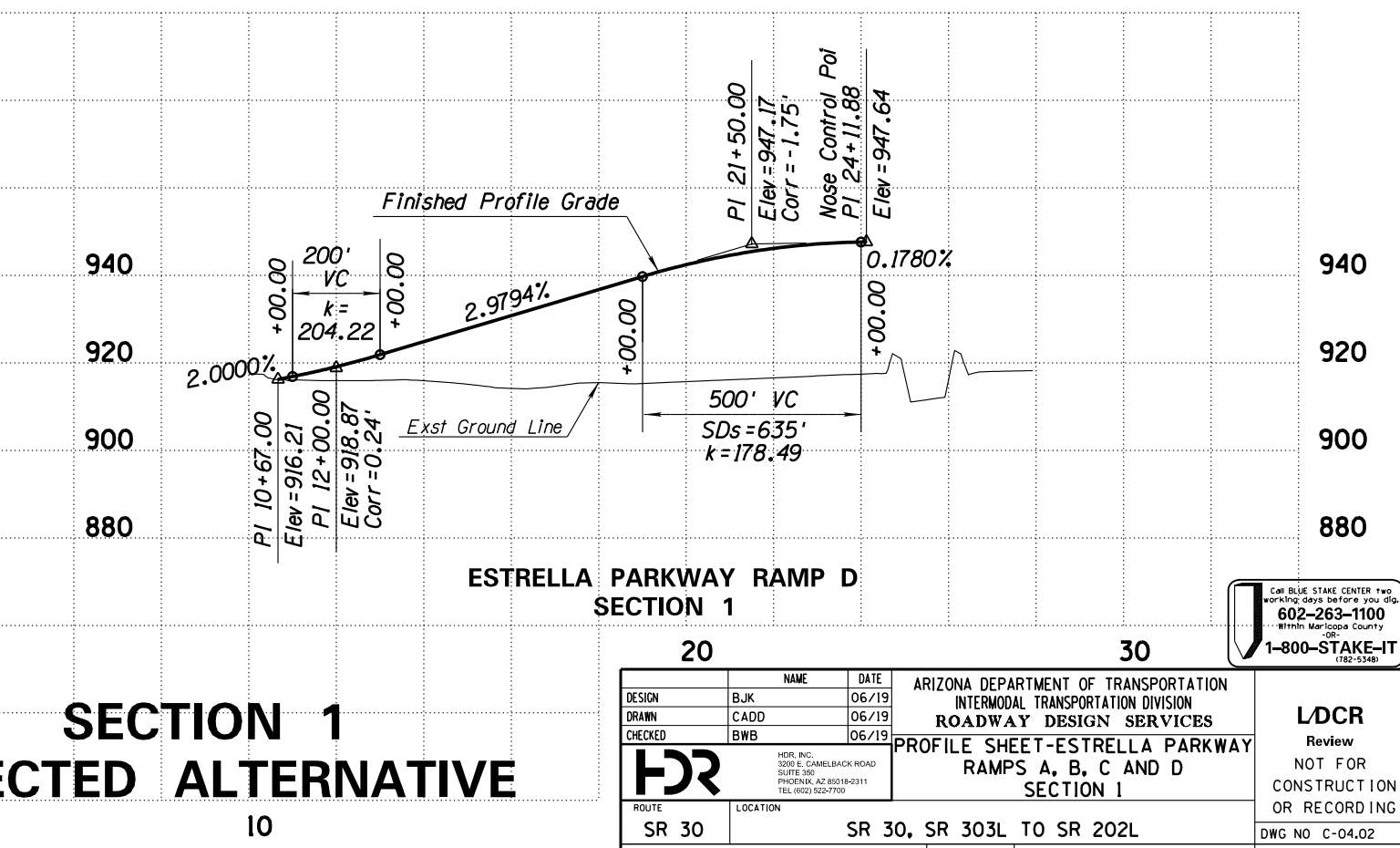
ESTRELLA PARKWAY RAMP A SECTION 1



ESTRELLA PARKWAY RAMP C SECTION 1



ESTRELLA PARKWAY RAMP B SECTION 1



ESTRELLA PARKWAY RAMP D SECTION 1

# SECTION 1 SELECTED ALTERNATIVE

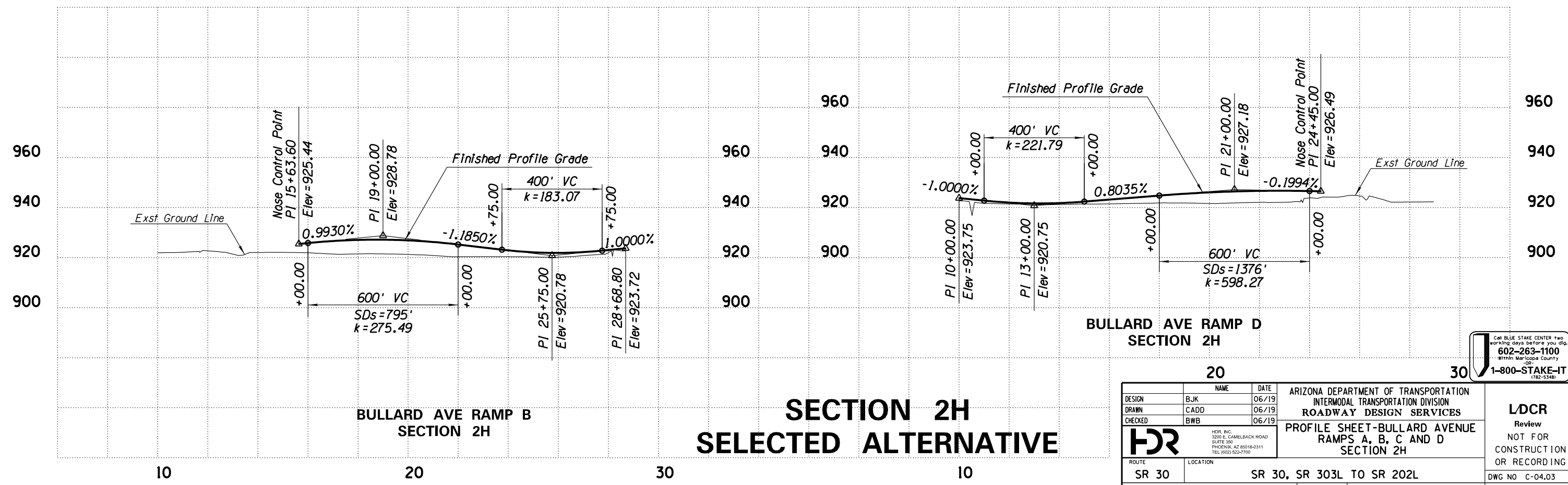
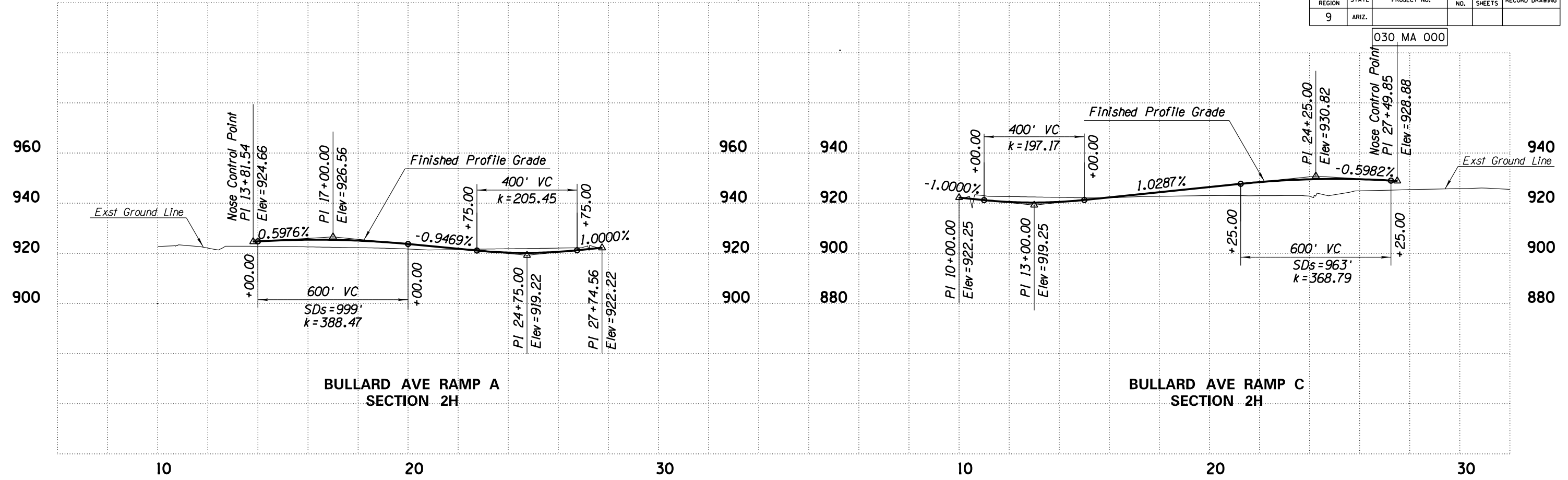
DESIGN	BJK	DATE	06/19	ARIZONA DEPARTMENT OF TRANSPORTATION INTERMODAL TRANSPORTATION DIVISION ROADWAY DESIGN SERVICES	LDCR Review NOT FOR CONSTRUCTION OR RECORDING DWG NO C-04.02
DRAWN	CADD	DATE	06/19		
CHECKED	BWB	DATE	06/19		
ROUTE		LOCATION		SR 30, SR 303L TO SR 202L	
TRACS NO.		H6876 OIL		OF	

Call BLUE STAKE CENTER two working days before you dig  
602-263-1100  
Within Maricopa County  
OR  
1-800-STAKE-IT  
(782-5348)

SURVEY NO. FINISHED PLANS- REVISIONS- LOCATION- DATE-

F.H.W.A. REGION	STATE	PROJECT NO.	SHEET NO.	TOTAL SHEETS	RECORD DRAWING
9	ARIZ.				

030 MA 000



# SECTION 2H SELECTED ALTERNATIVE

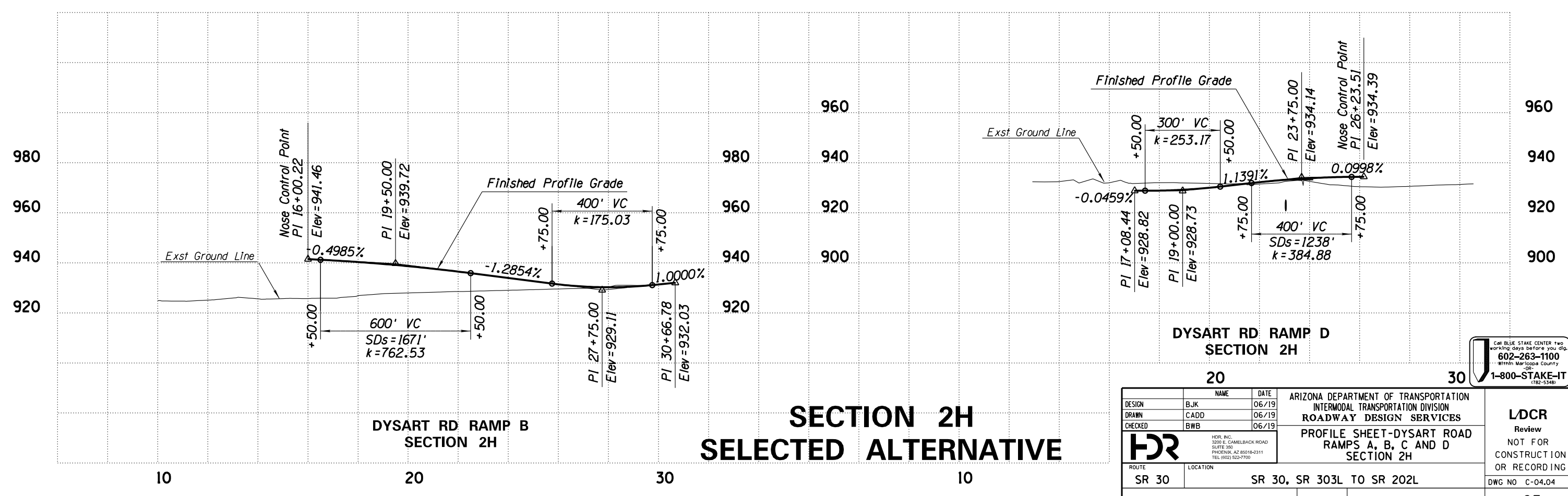
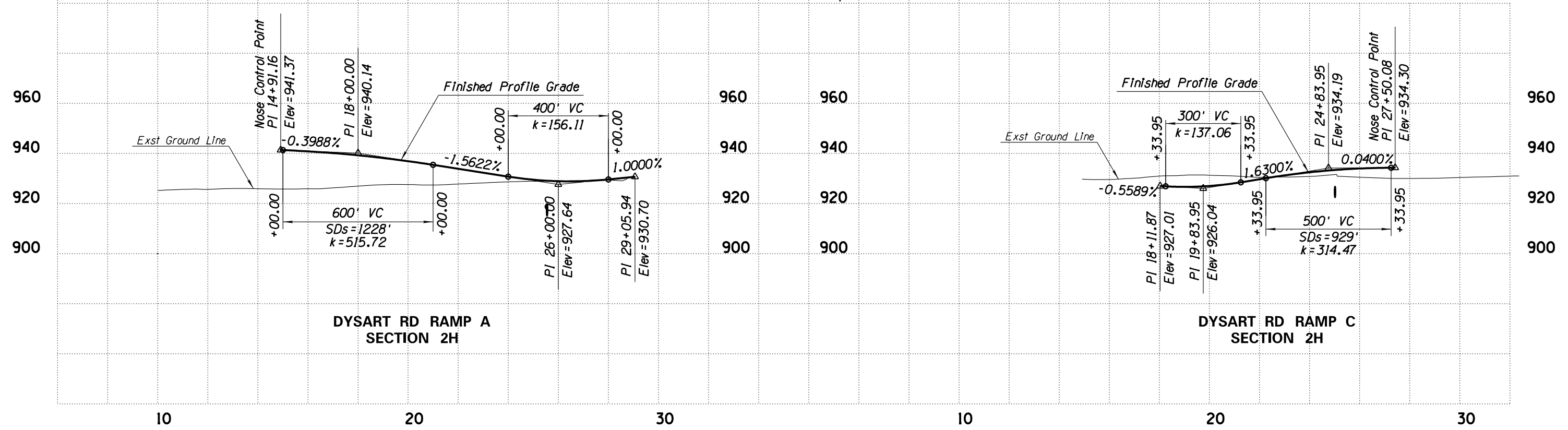
DESIGN	BJK	DATE	06/19	ARIZONA DEPARTMENT OF TRANSPORTATION INTERMODAL TRANSPORTATION DIVISION ROADWAY DESIGN SERVICES	<b>LDCR</b> Review NOT FOR CONSTRUCTION OR RECORDING
DRAWN	CADD	DATE	06/19		
CHECKED	BWB	DATE	06/19		
<b>HR</b>		HR, INC. 3200 E. GAMBELBACK ROAD SUITE 300 PHOENIX, AZ 85018-2311 TEL: (602) 922-7700		PROFILE SHEET-BULLARD AVENUE RAMPS A, B, C AND D SECTION 2H	
ROUTE	SR 30	LOCATION	SR 30, SR 303L TO SR 202L	DWG NO C-04.03	
TRACS NO.	H6876 OIL			OF	



SURVEY NO. FINISHED PLANS- REVISIONS- LOCATION- DATE- FINISHED PLANS- REVISIONS- LOCATION- DATE- SURVEY NO.

F.H.W.A. REGION	STATE	PROJECT NO.	SHEET NO.	TOTAL SHEETS	RECORD DRAWING
9	ARIZ.				

030 MA 000



# SECTION 2H SELECTED ALTERNATIVE

DESIGN	BJK	DATE	06/19
DRAWN	CADD	DATE	06/19
CHECKED	BWB	DATE	06/19

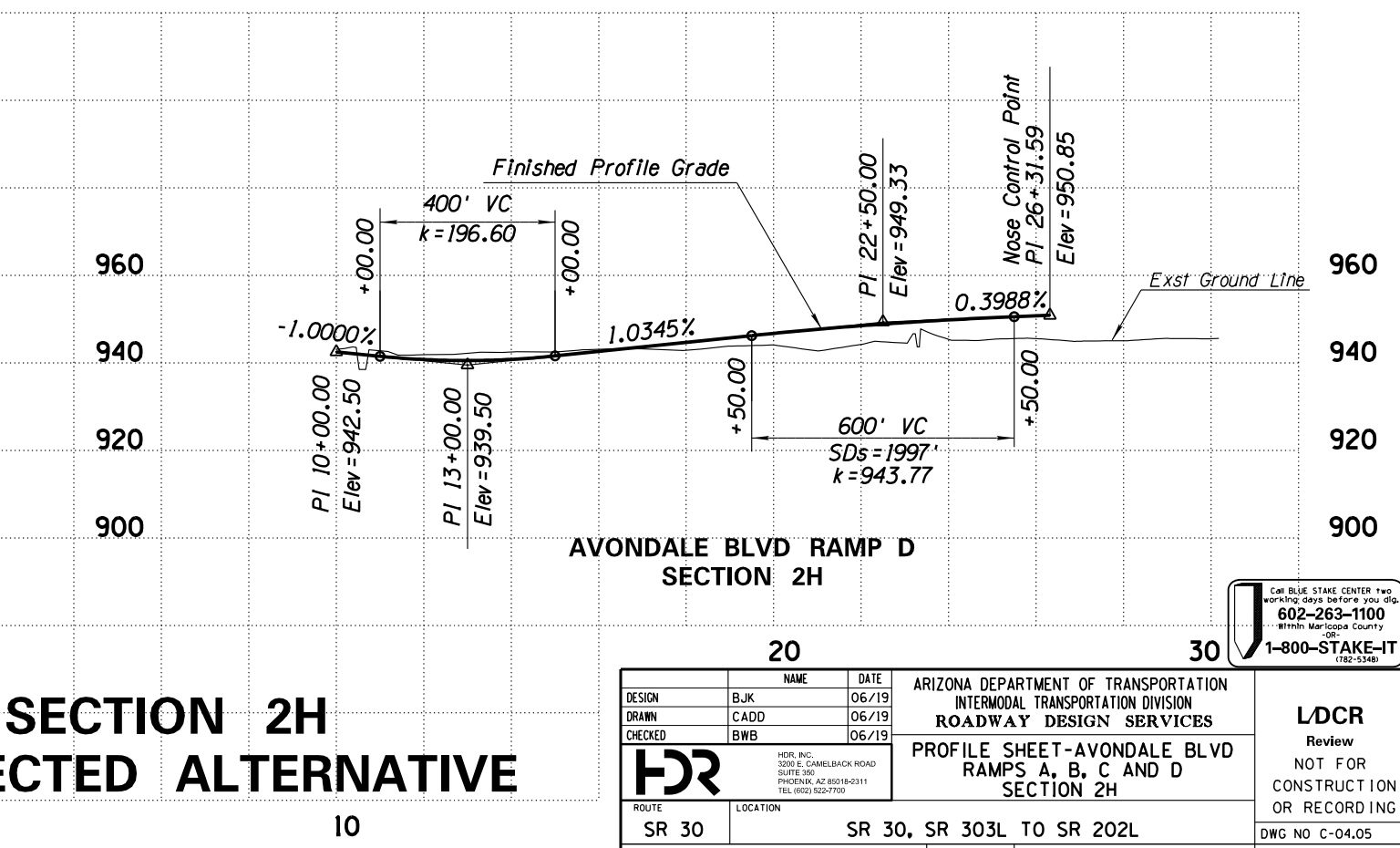
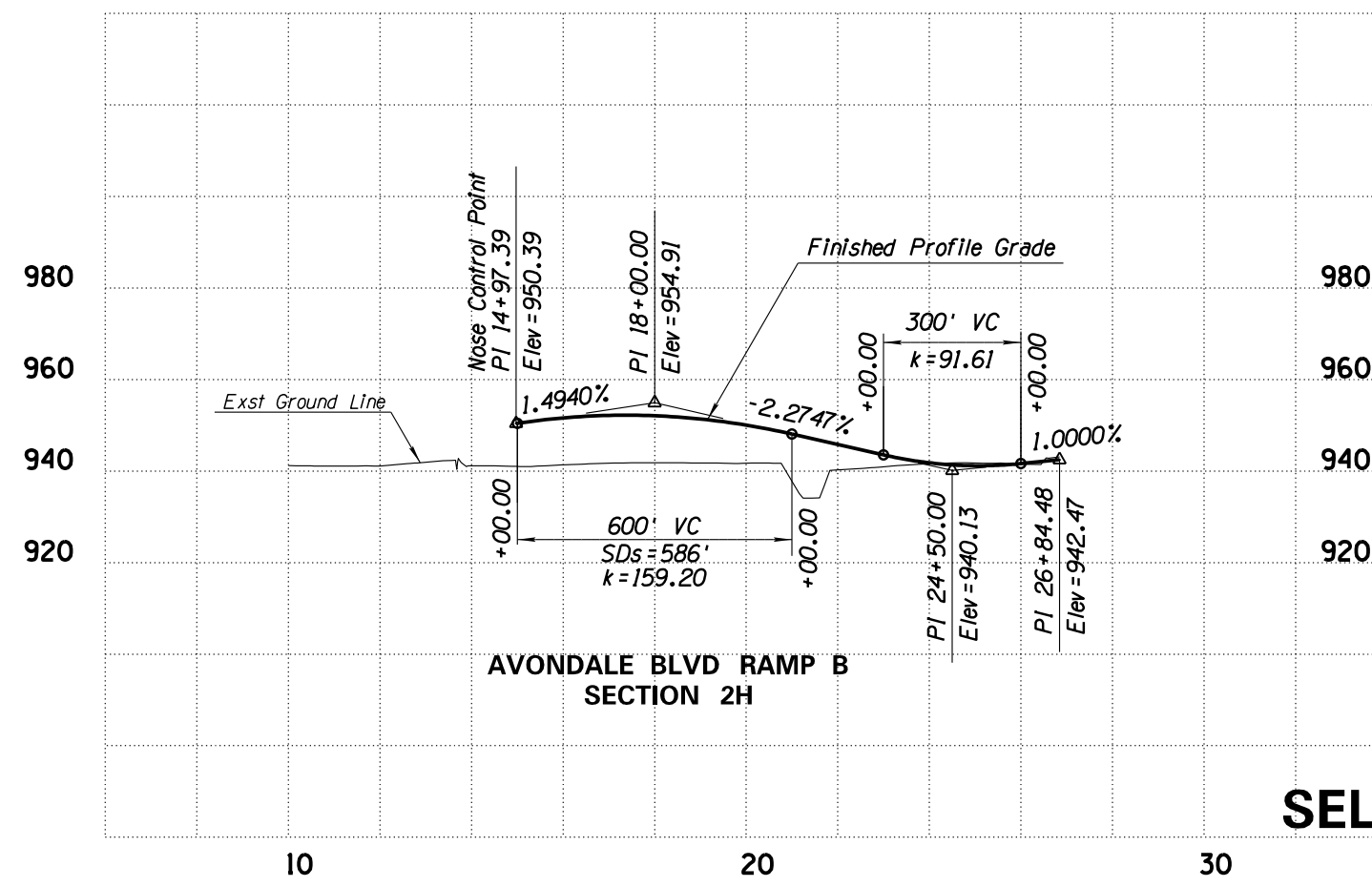
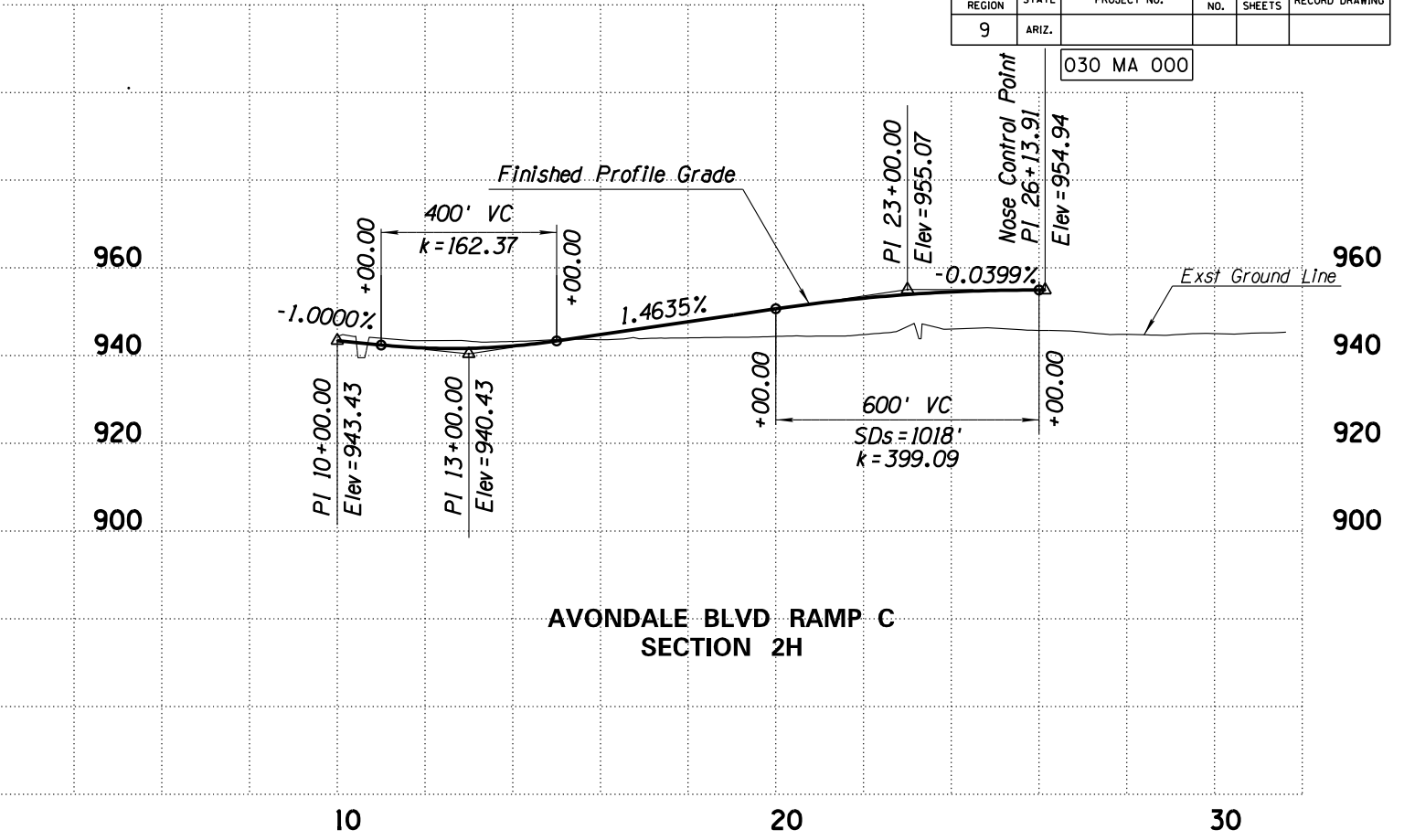
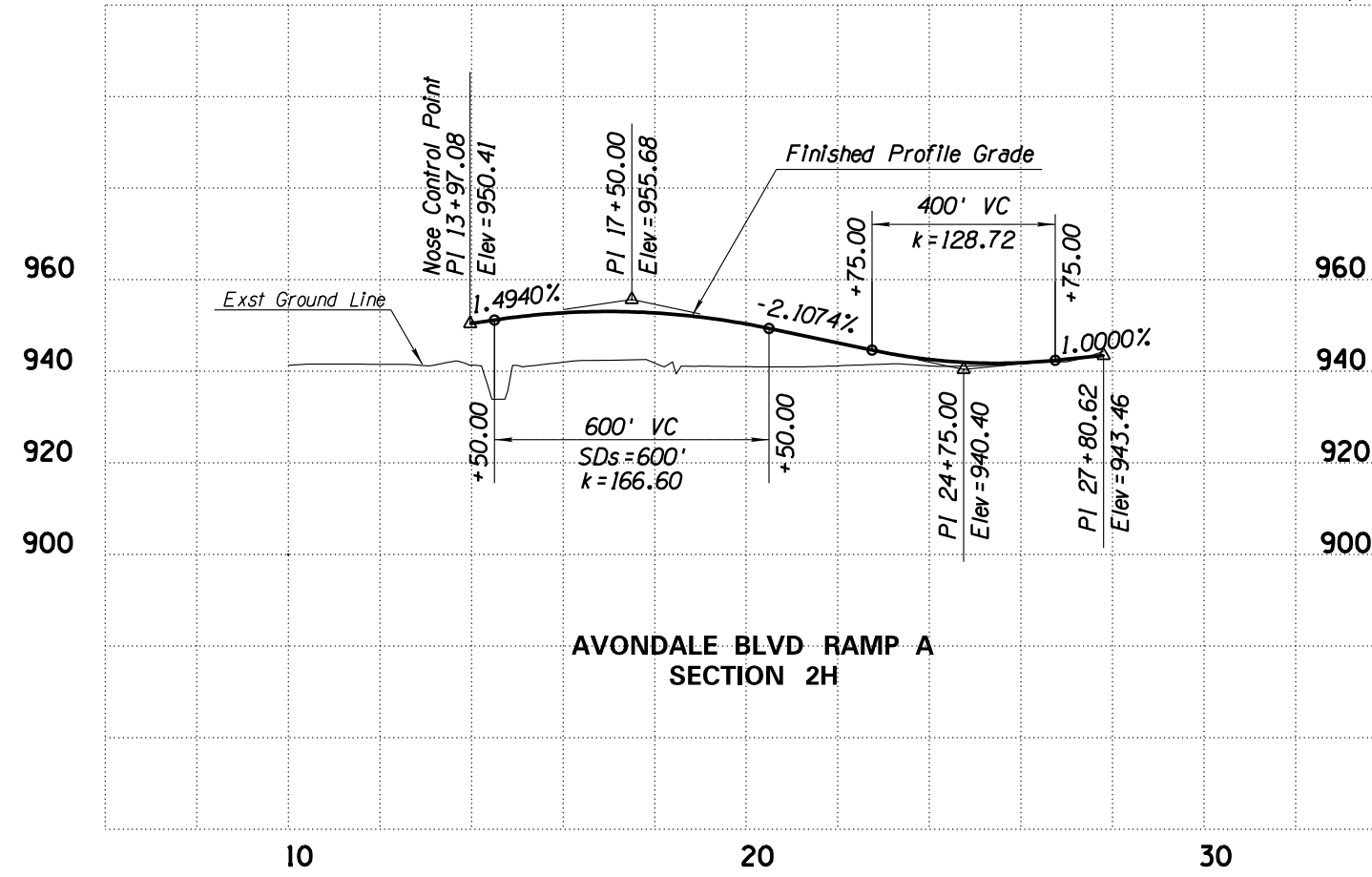
ROUTE	SR 30	LOCATION	SR 30, SR 303L TO SR 202L
TRACS NO.	H6876 OIL		

ARIZONA DEPARTMENT OF TRANSPORTATION INTERMODAL TRANSPORTATION DIVISION ROADWAY DESIGN SERVICES		<b>LDCR</b> Review NOT FOR CONSTRUCTION OR RECORDING DWG NO C-04.04 OF
<b>HR</b> <small>HR, INC. 3200 E. GAMBELBACK ROAD SUITE 300 PHOENIX, AZ 85018-2311 TEL (602) 922-7700</small>		

CALL BLUE STAKE CENTER TWO  
WORKING DAYS BEFORE YOU DIG  
602-263-1100  
Within Maricopa County  
OR  
1-800-STAKE-IT  
(782-5348)

F.H.W.A. REGION	STATE	PROJECT NO.	SHEET NO.	TOTAL SHEETS	RECORD DRAWING
9	ARIZ.				

030 MA 000



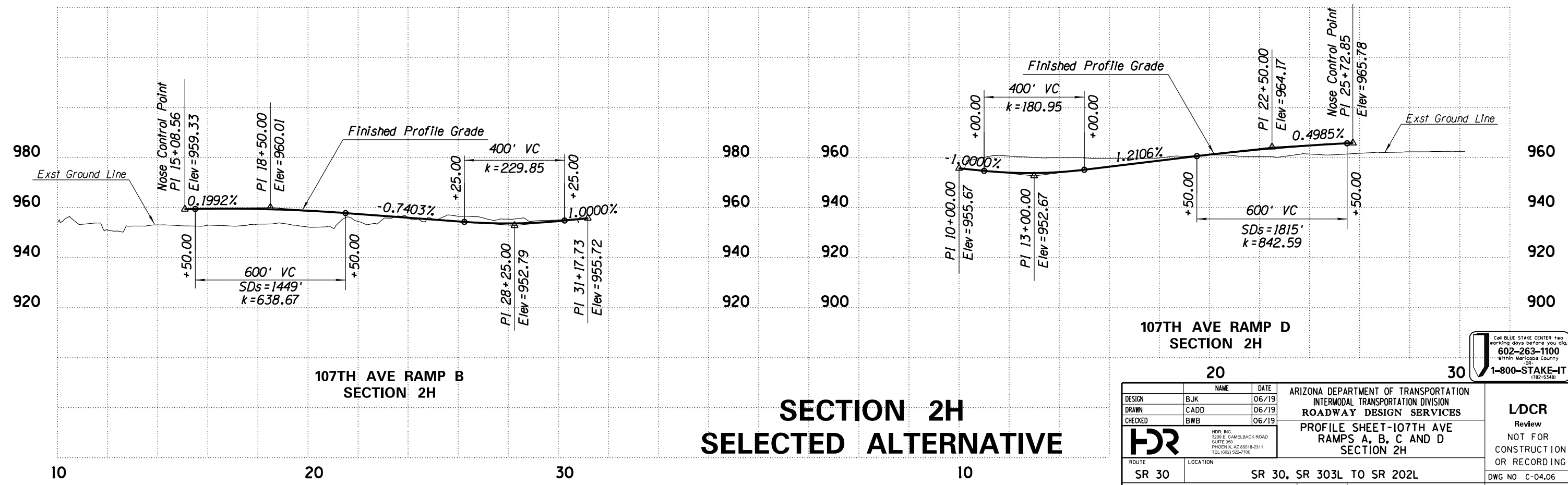
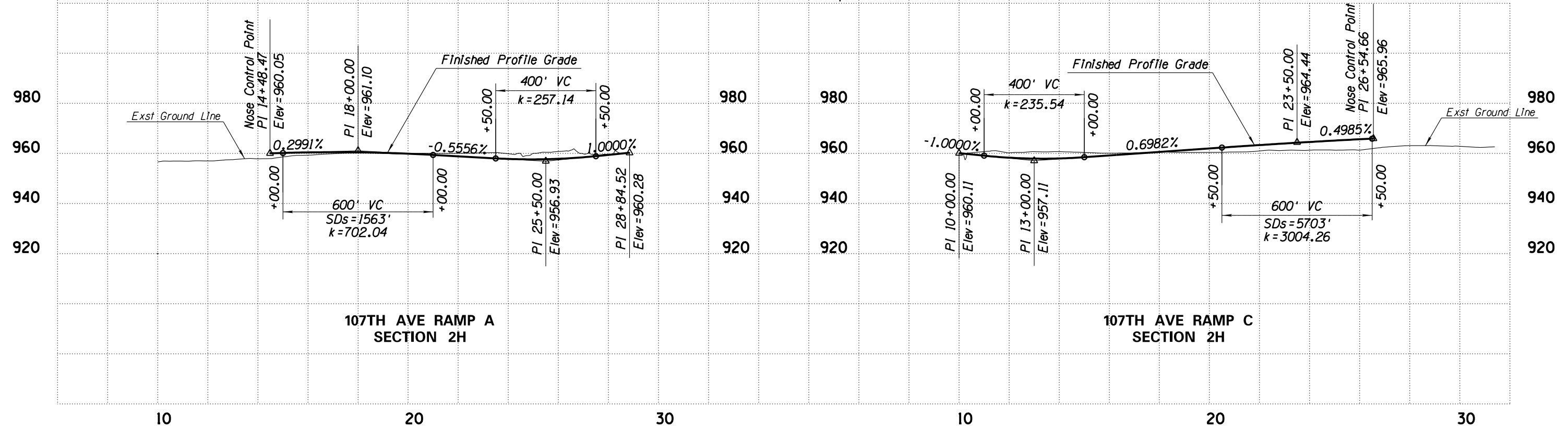
## SECTION 2H SELECTED ALTERNATIVE

DESIGN		NAME	DATE	ARIZONA DEPARTMENT OF TRANSPORTATION INTERMODAL TRANSPORTATION DIVISION ROADWAY DESIGN SERVICES PROFILE SHEET-AVONDALE BLVD RAMPS A, B, C AND D SECTION 2H	<b>LDCR</b> Review NOT FOR CONSTRUCTION OR RECORDING DWG NO C-04.05 OF
DRAWN		BJK	06/19		
CHECKED		CADD	06/19		
		BWB	06/19		
ROUTE		SR 30, SR 303L TO SR 202L			
TRACS NO.		H6876 OIL			

SURVEY NO. FINISHED PLANS- REVISIONS- LOCATION- DATE-

F.H.W.A. REGION	STATE	PROJECT NO.	SHEET NO.	TOTAL SHEETS	RECORD DRAWING
9	ARIZ.				

030 MA 000



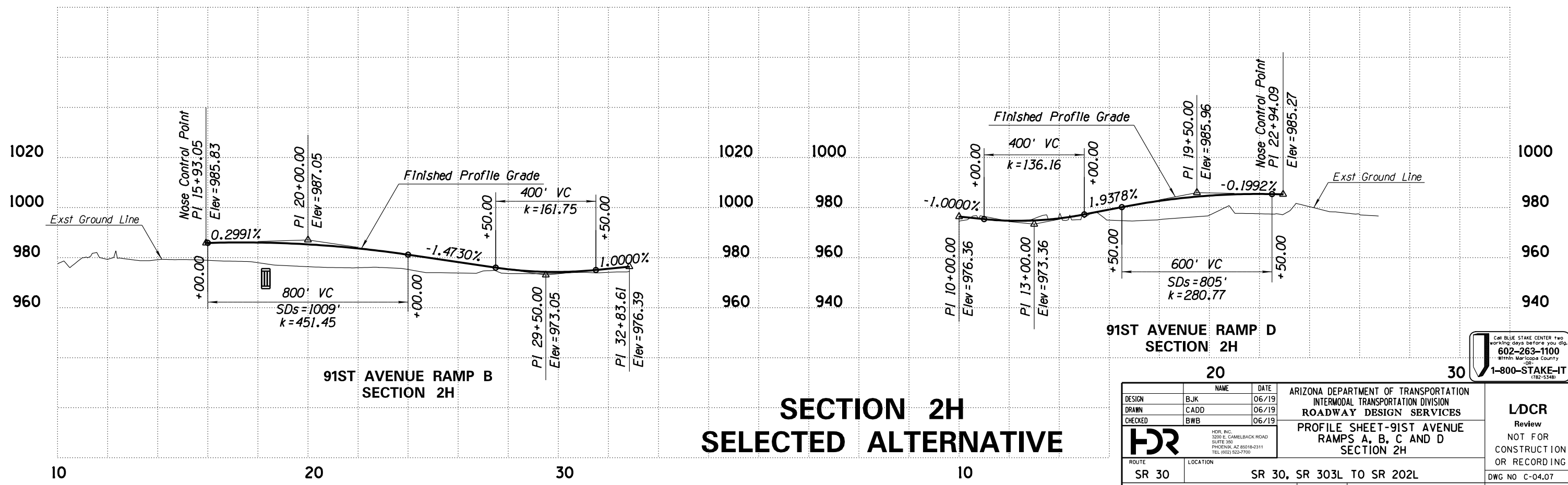
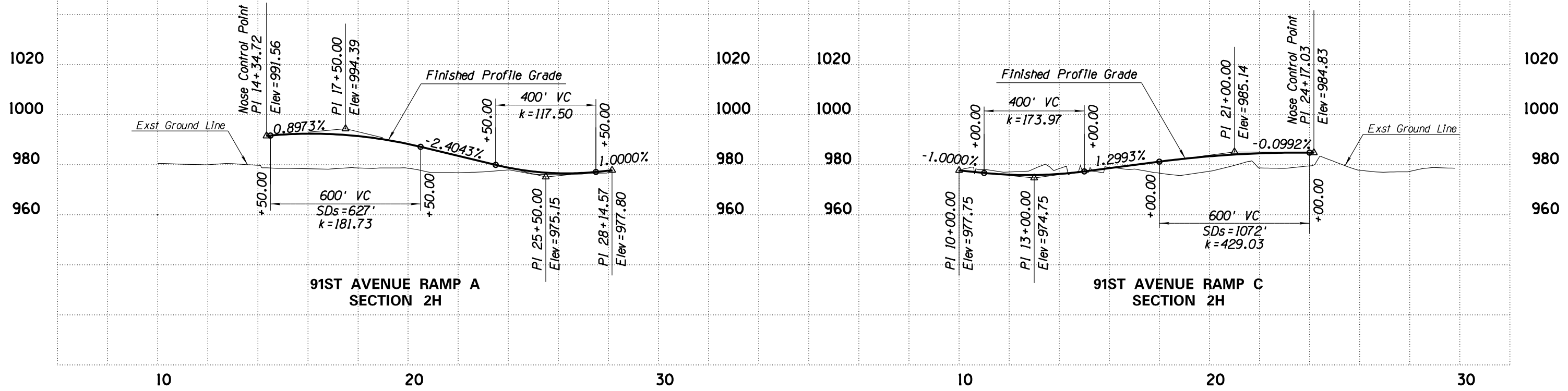
# SECTION 2H SELECTED ALTERNATIVE

		ARIZONA DEPARTMENT OF TRANSPORTATION INTERMODAL TRANSPORTATION DIVISION ROADWAY DESIGN SERVICES		<b>LDCR</b> Review NOT FOR CONSTRUCTION OR RECORDING DWG NO C-04.06
PROFILE SHEET-107TH AVE RAMPS A, B, C AND D SECTION 2H		1-800-STAKE-IT <small>(782-5348)</small>		
DESIGN	BJK	DATE	06/19	
DRAWN	CADD	DATE	06/19	
CHECKED	BWB	DATE	06/19	
ROUTE	SR 30	LOCATION	SR 30, SR 303L TO SR 202L	
TRACS NO.	H6876 OIL			

SURVEY NO. FINISHED PLANS REVISIONS LOCATION DATE

F.H.W.A. REGION	STATE	PROJECT NO.	SHEET NO.	TOTAL SHEETS	RECORD DRAWING
9	ARIZ.				

030 MA 000



# SECTION 2H SELECTED ALTERNATIVE

DESIGN	BJK	DATE	06/19
DRAWN	CADD	DATE	06/19
CHECKED	BWB	DATE	06/19



ROUTE SR 30 LOCATION SR 30, SR 303L TO SR 202L

ARIZONA DEPARTMENT OF TRANSPORTATION  
INTERMODAL TRANSPORTATION DIVISION  
ROADWAY DESIGN SERVICES  
PROFILE SHEET-91ST AVENUE  
RAMPS A, B, C AND D  
SECTION 2H

CALL BLUE STAKE CENTER TWO  
WORKING DAYS BEFORE YOU DIG  
602-263-1100  
WITHIN MARICOPA COUNTY  
OR  
1-800-STAKE-IT  
(782-5348)

**LDCR**  
Review  
NOT FOR  
CONSTRUCTION  
OR RECORDING  
DWG NO C-04.07

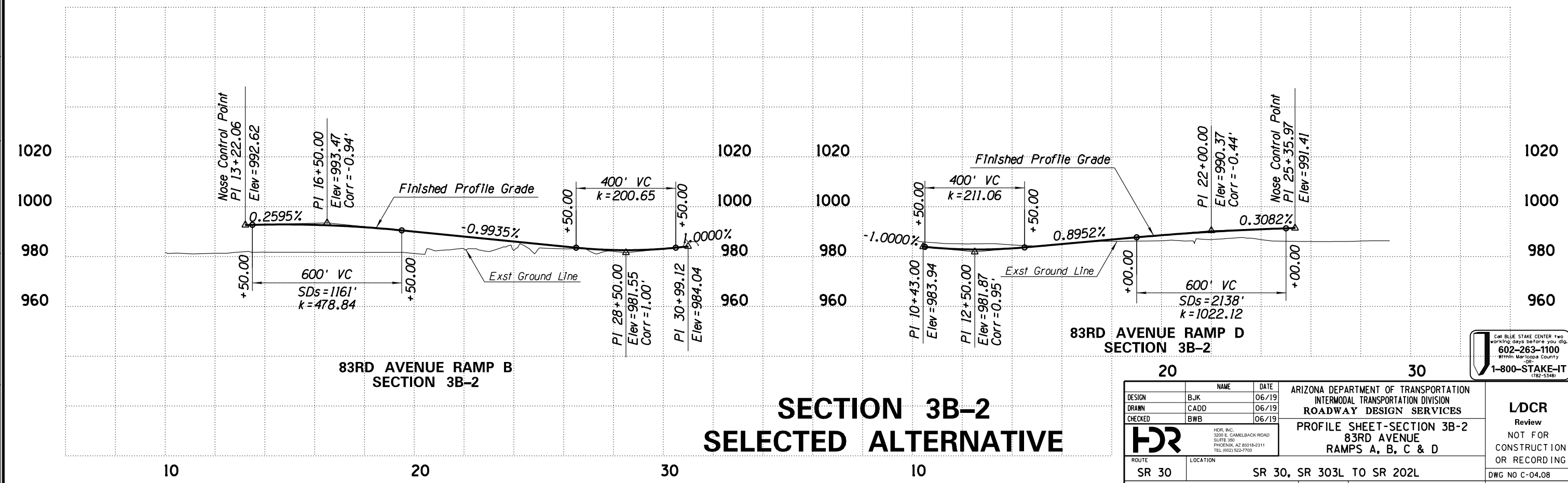
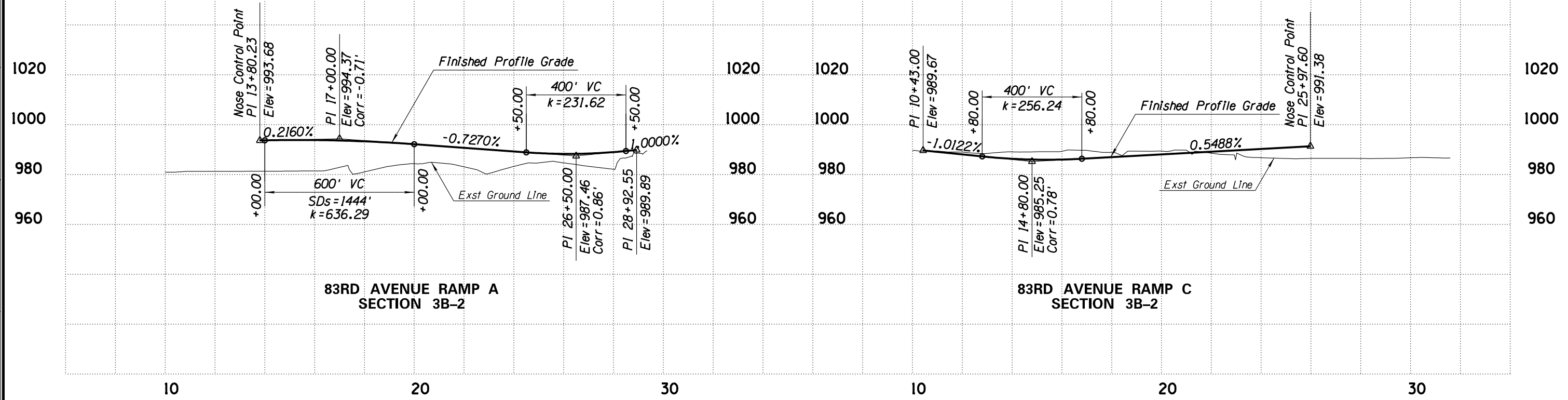
TRACS NO. H6876 OIL

SURVEY NO. FINISHED PLANS REVISIONS LOCATION DATE  
 SURVEY NO. FINISHED PLANS REVISIONS LOCATION DATE



F.H.W.A. REGION	STATE	PROJECT NO.	SHEET NO.	TOTAL SHEETS	RECORD DRAWING
9	ARIZ.				

030 MA 000



## SECTION 3B-2 SELECTED ALTERNATIVE

DESIGN	BJK	DATE	06/19
DRAWN	CADD	DATE	06/19
CHECKED	BWB	DATE	06/19

ARIZONA DEPARTMENT OF TRANSPORTATION  
INTERMODAL TRANSPORTATION DIVISION  
ROADWAY DESIGN SERVICES

PROFILE SHEET-SECTION 3B-2  
83RD AVENUE  
RAMPS A, B, C & D



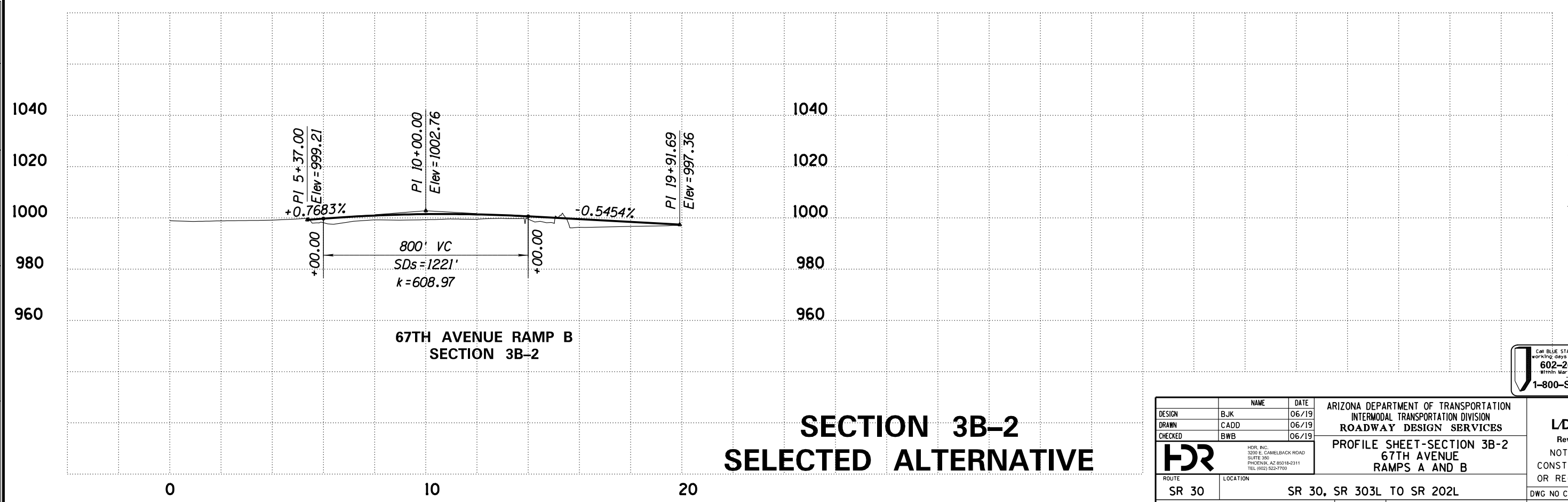
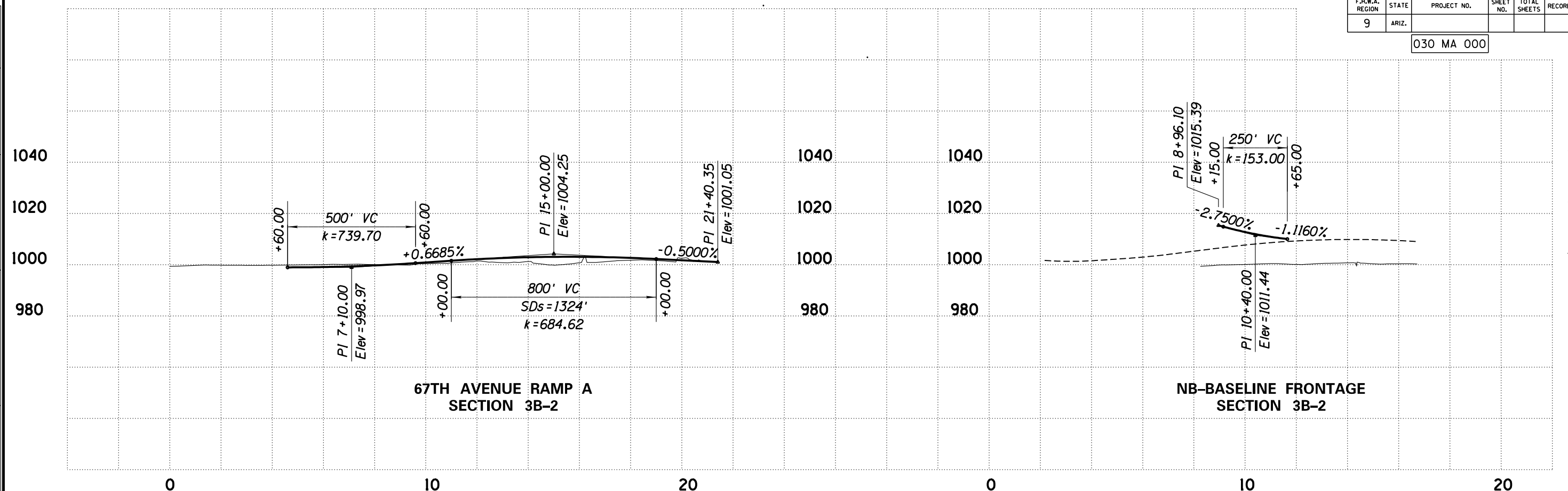
**LDCR**  
Review  
NOT FOR  
CONSTRUCTION  
OR RECORDING  
DWG NO C-04.08

TRACS NO. H6876 OIL


SURVEY NO. FINISHED PLANS REVISIONS LOCATION DATE  
 SURVEY NO. FINISHED PLANS REVISIONS LOCATION DATE  
 SURVEY NO. FINISHED PLANS REVISIONS LOCATION DATE

F.H.W.A. REGION	STATE	PROJECT NO.	SHEET NO.	TOTAL SHEETS	RECORD DRAWING
9	ARIZ.				

030 MA 000



# SECTION 3B-2 SELECTED ALTERNATIVE

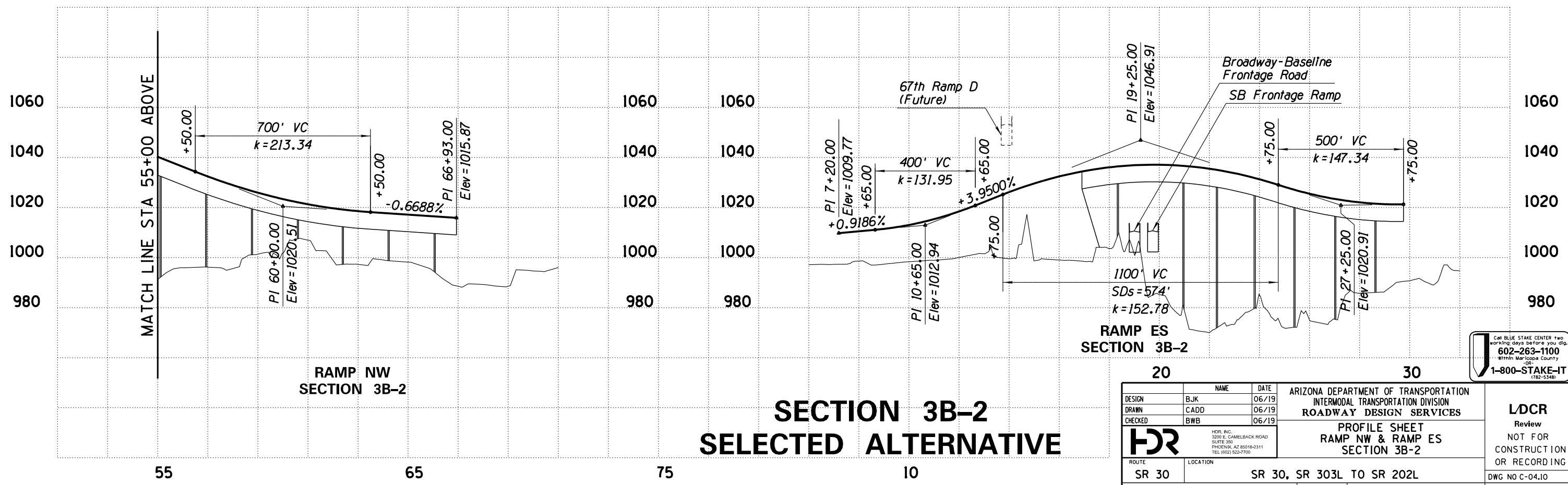
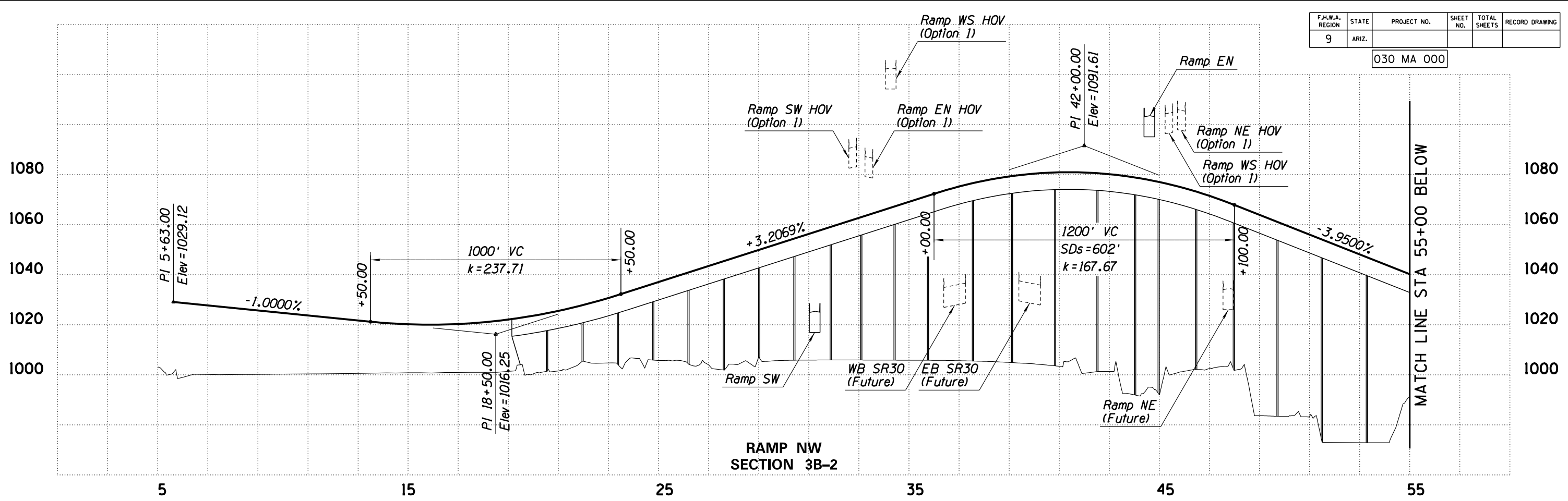
DESIGN	NAME	DATE	ARIZONA DEPARTMENT OF TRANSPORTATION INTERMODAL TRANSPORTATION DIVISION ROADWAY DESIGN SERVICES	<b>LDCR</b> Review NOT FOR CONSTRUCTION OR RECORDING DWG NO C-04.09	
DRAWN	BJK	06/19			
CHECKED	BWB	06/19			
 HDR, INC. 3200 E. GAMBELBACK ROAD SUITE 300 PHOENIX, AZ 85018-2311 TEL: (602) 922-7700			<b>PROFILE SHEET-SECTION 3B-2</b> <b>67TH AVENUE RAMP A AND B</b>		
ROUTE	SR 30	LOCATION	SR 30, SR 303L TO SR 202L	TRACS NO.	H6876 OIL

CALL BLUE STAKE CENTER Two working days before you dig  
 602-263-1100  
 Within Maricopa County OR  
 1-800-STAKE-IT (782-5348)

SURVEY NO. FINISHED PLANS REVISIONS LOCATION DATE

F.H.W.A. REGION	STATE	PROJECT NO.	SHEET NO.	TOTAL SHEETS	RECORD DRAWING
9	ARIZ.				

030 MA 000

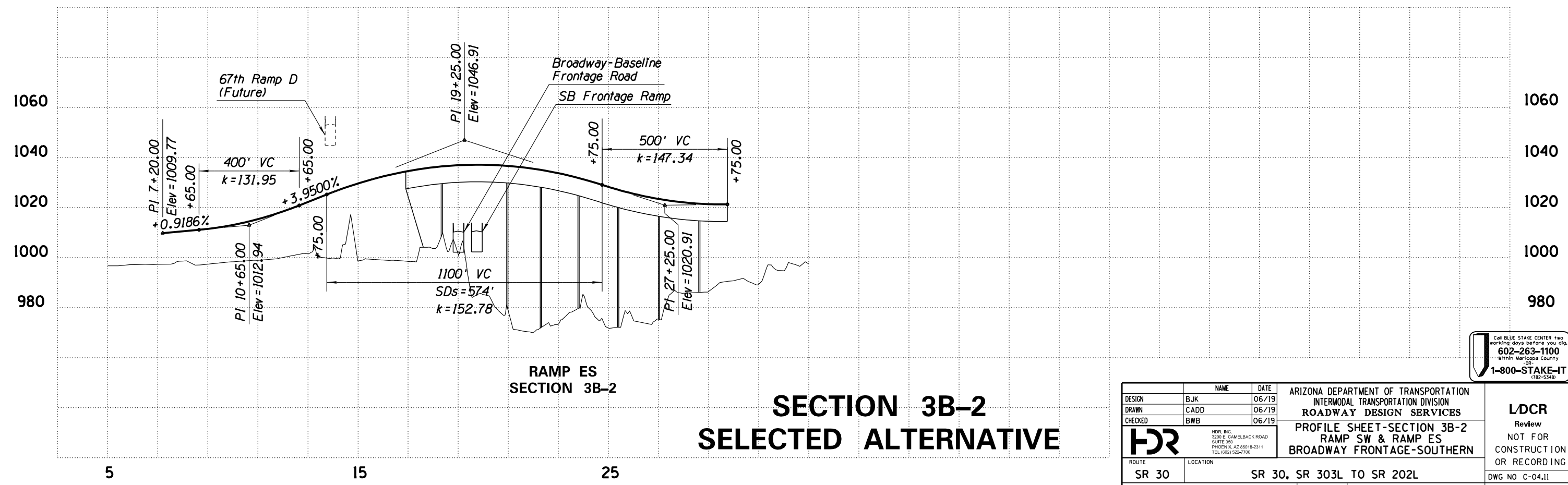


## SECTION 3B-2 SELECTED ALTERNATIVE

DESIGN	BJK	DATE	06/19	ARIZONA DEPARTMENT OF TRANSPORTATION INTERMODAL TRANSPORTATION DIVISION ROADWAY DESIGN SERVICES	<b>LDCR</b> Review NOT FOR CONSTRUCTION OR RECORDING
DRAWN	CADD	DATE	06/19		
CHECKED	BWB	DATE	06/19		
<b>HR</b>		<small>HR, INC. 3200 E. GAMBELBACK ROAD SUITE 300 PHOENIX, AZ 85018-2311 TEL: (602) 922-7700</small>		<b>PROFILE SHEET RAMP NW &amp; RAMP ES SECTION 3B-2</b>	
ROUTE	SR 30	LOCATION	SR 30, SR 303L TO SR 202L		
TRACS NO.	H6876 OIL		DWG NO C-04.10 <u>OF</u>		


F.H.W.A. REGION	STATE	PROJECT NO.	SHEET NO.	TOTAL SHEETS	RECORD DRAWING
9	ARIZ.				

030 MA 000



## SECTION 3B-2 SELECTED ALTERNATIVE

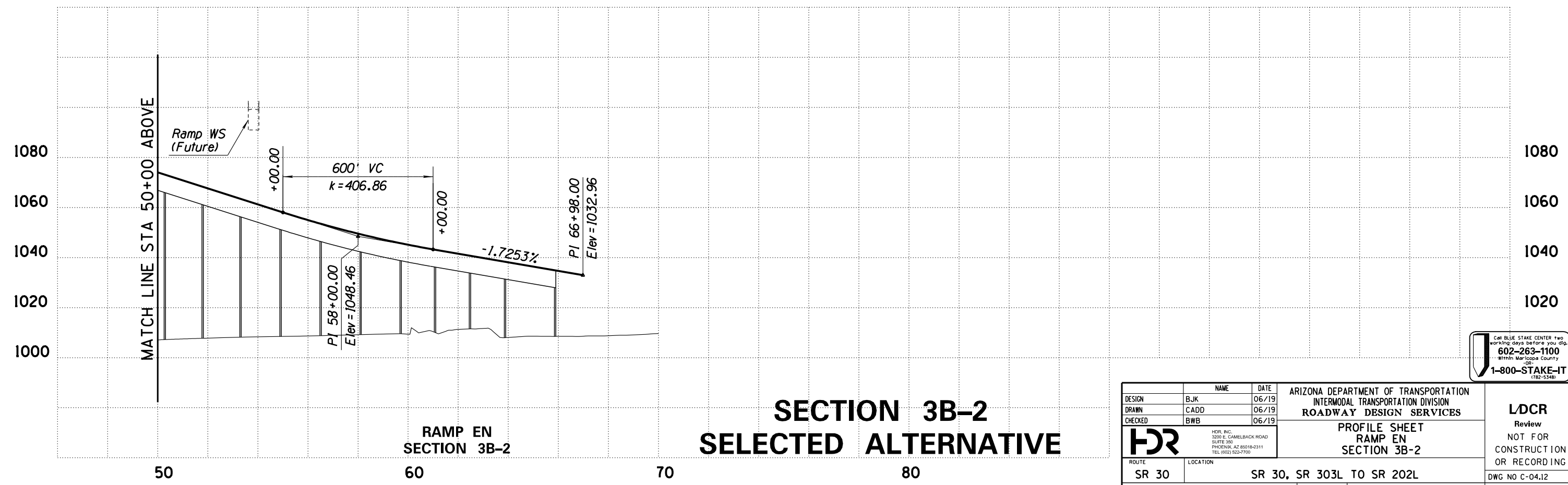
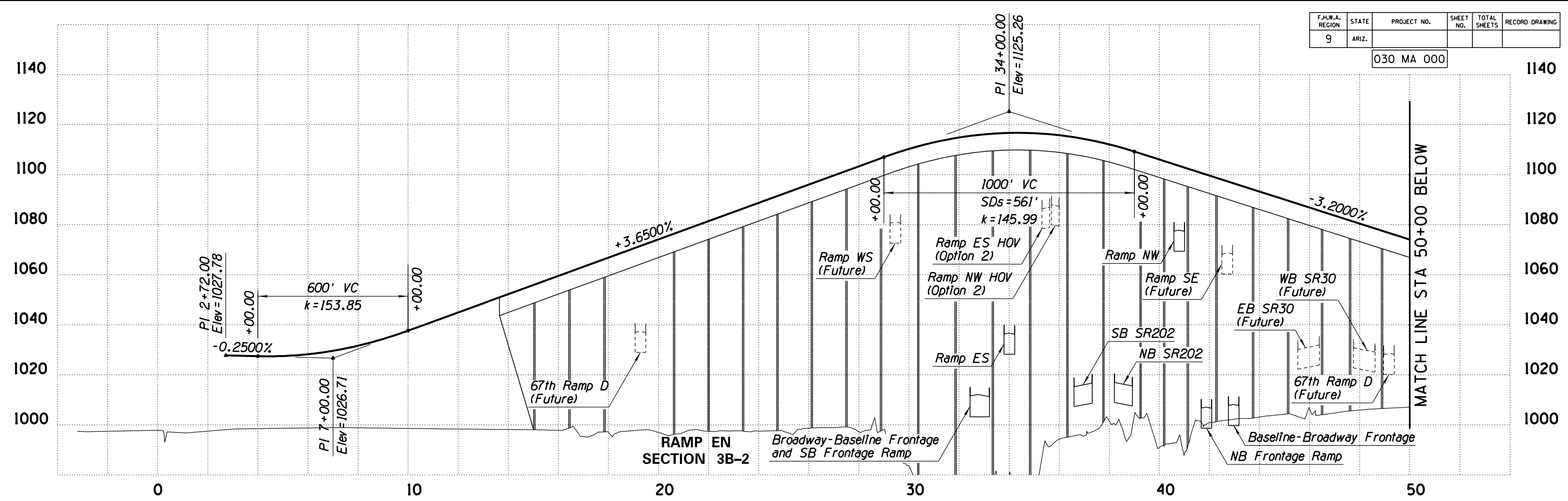
CALL BLUE STAKE CENTER TWO WORKING DAYS BEFORE YOU DIG  
602-263-1100  
Within Maricopa County  
OR  
1-800-STAKE-IT  
(782-5348)

DESIGN	BJK	DATE	06/19	ARIZONA DEPARTMENT OF TRANSPORTATION INTERMODAL TRANSPORTATION DIVISION ROADWAY DESIGN SERVICES	LDCR Review NOT FOR CONSTRUCTION OR RECORDING
DRAWN	CADD	DATE	06/19		
CHECKED	BWB	DATE	06/19		
 HDR, INC. 3200 E. GAMBELBACK ROAD SUITE 300 PHOENIX, AZ 85018-2311 TEL: (602) 922-7700		PROFILE SHEET-SECTION 3B-2 RAMP SW & RAMP ES BROADWAY FRONTAGE-SOUTHERN		DWG NO C-04.11 OF	
ROUTE	SR 30	LOCATION	SR 30, SR 303L TO SR 202L		
TRACS NO.	H6876 OIL				

SURVEY NO. FINISHED PLANS REVISIONS LOCATION DATE

F.H.W.A. REGION	STATE	PROJECT NO.	SHEET NO.	TOTAL SHEETS	RECORD DRAWING
9	ARIZ.				

030 MA 000



## SECTION 3B-2 SELECTED ALTERNATIVE

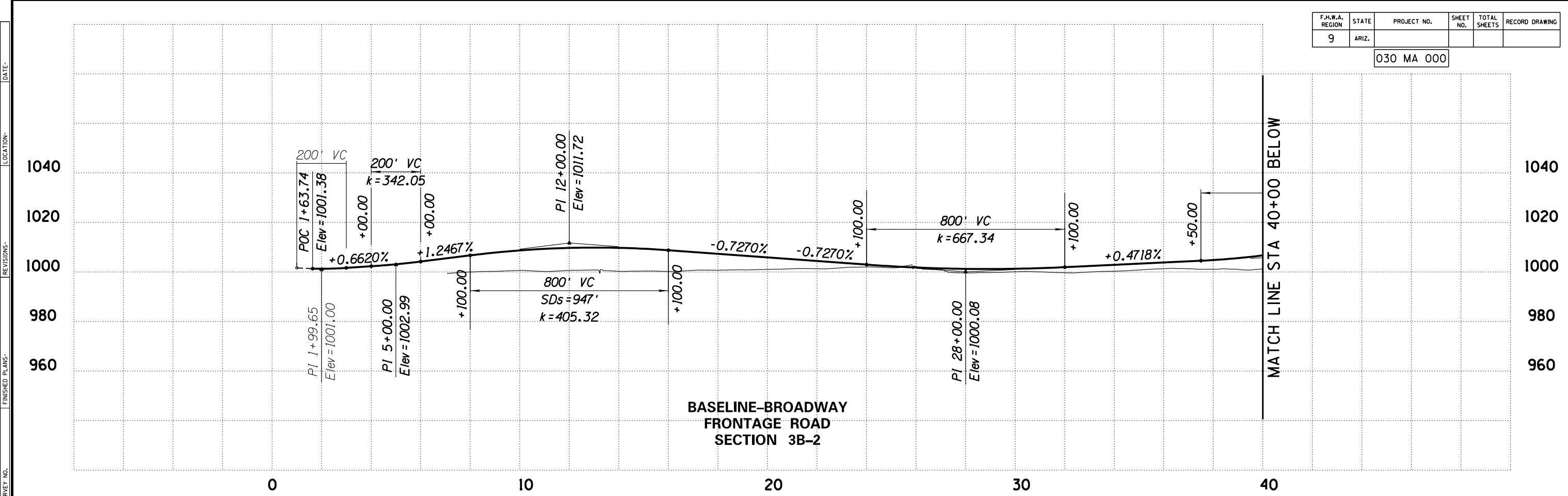
DESIGN	BJK	DATE	06/19	ARIZONA DEPARTMENT OF TRANSPORTATION INTERMODAL TRANSPORTATION DIVISION ROADWAY DESIGN SERVICES	<b>LDCR</b> Review NOT FOR CONSTRUCTION OR RECORDING
DRAWN	CADD	DATE	06/19		
CHECKED	BWB	DATE	06/19		
<b>HR</b>		<small>HR, INC. 3200 E. GAMBELBACK ROAD SUITE 300 PHOENIX, AZ 85018-2311 TEL (602) 922-7700</small>		<b>PROFILE SHEET</b> <b>RAMP EN</b> <b>SECTION 3B-2</b>	<small>DWG NO C-04.12</small> <b>OF</b>
ROUTE	SR 30	LOCATION	SR 30, SR 303L TO SR 202L		
TRACS NO.	H6876 OIL				

Call BLUE STAKE CENTER two working days before you dig  
602-263-1100  
Within Maricopa County  
OR  
1-800-STAKE-IT  
(782-5348)

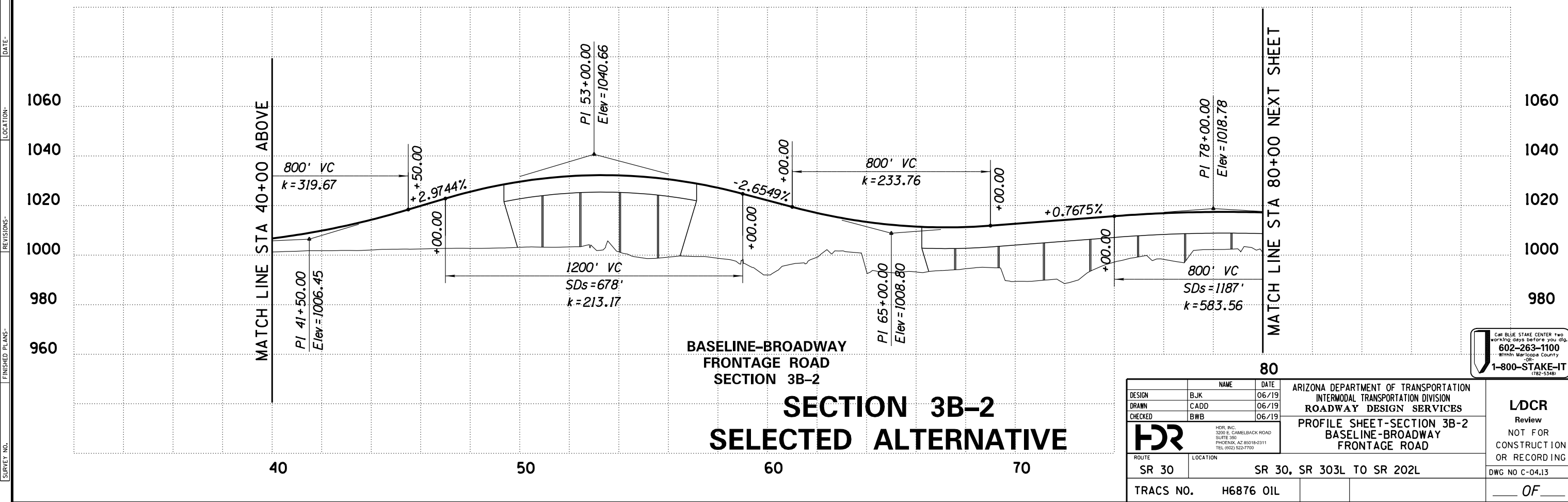
SURVEY NO. FINISHED PLANS- REVISIONS- LOCATION- DATE-

F.H.W.A. REGION	STATE	PROJECT NO.	SHEET NO.	TOTAL SHEETS	RECORD DRAWING
9	ARIZ.				

030 MA 000



BASELINE-BROADWAY  
FRONTAGE ROAD  
SECTION 3B-2



BASELINE-BROADWAY  
FRONTAGE ROAD  
SECTION 3B-2  
**SECTION 3B-2  
SELECTED ALTERNATIVE**

DESIGN	NAME	DATE
DRAWN	BJK	06/19
CHECKED	CADD	06/19
	BWB	06/19

ARIZONA DEPARTMENT OF TRANSPORTATION  
INTERMODAL TRANSPORTATION DIVISION  
ROADWAY DESIGN SERVICES  
PROFILE SHEET-SECTION 3B-2  
BASELINE-BROADWAY  
FRONTAGE ROAD



**LDCR**  
Review  
NOT FOR  
CONSTRUCTION  
OR RECORDING  
DWG NO C-04.13  
OF

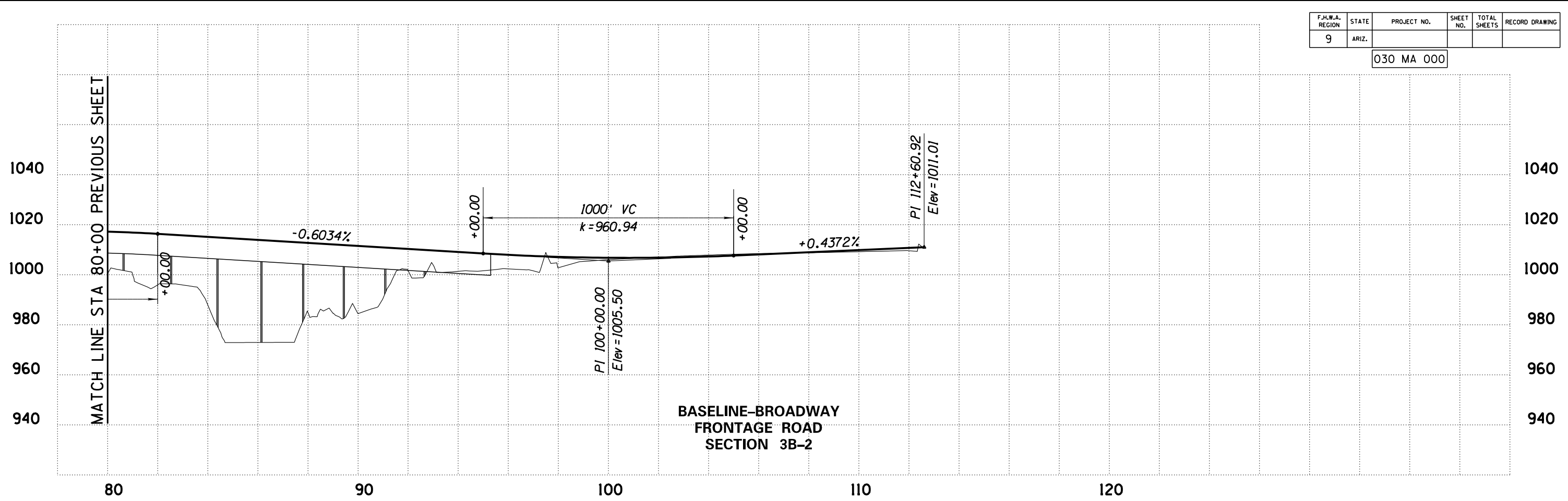
ROUTE	LOCATION	TRACS NO.
SR 30	SR 30, SR 303L TO SR 202L	H6876 OIL

SURVEY NO. FINISHED PLANS DATE REVISIONS LOCATION DATE

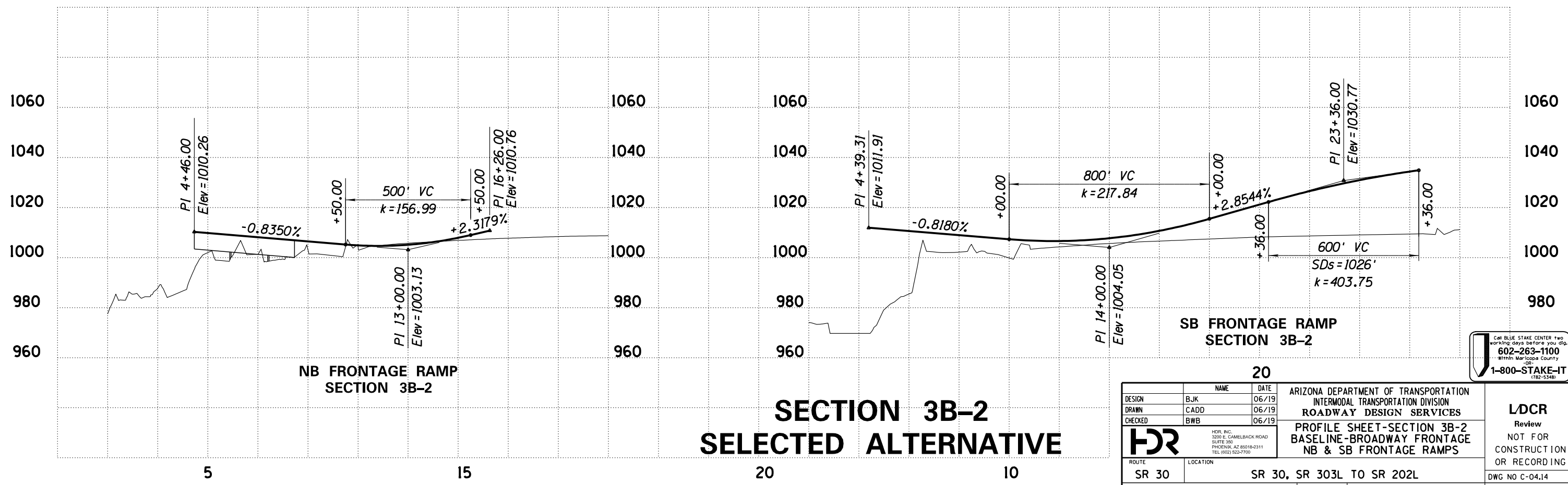
F.H.W.A. REGION	STATE	PROJECT NO.	SHEET NO.	TOTAL SHEETS	RECORD DRAWING
9	ARIZ.				

030 MA 000

SURVEY NO. FINISHED PLANS- LOCATION- DATE- REVISIONS- FINISHED PLANS- LOCATION- DATE- REVISIONS- FINISHED PLANS- LOCATION- DATE-



BASELINE-BROADWAY  
FRONTAGE ROAD  
SECTION 3B-2



NB FRONTAGE RAMP  
SECTION 3B-2

SB FRONTAGE RAMP  
SECTION 3B-2

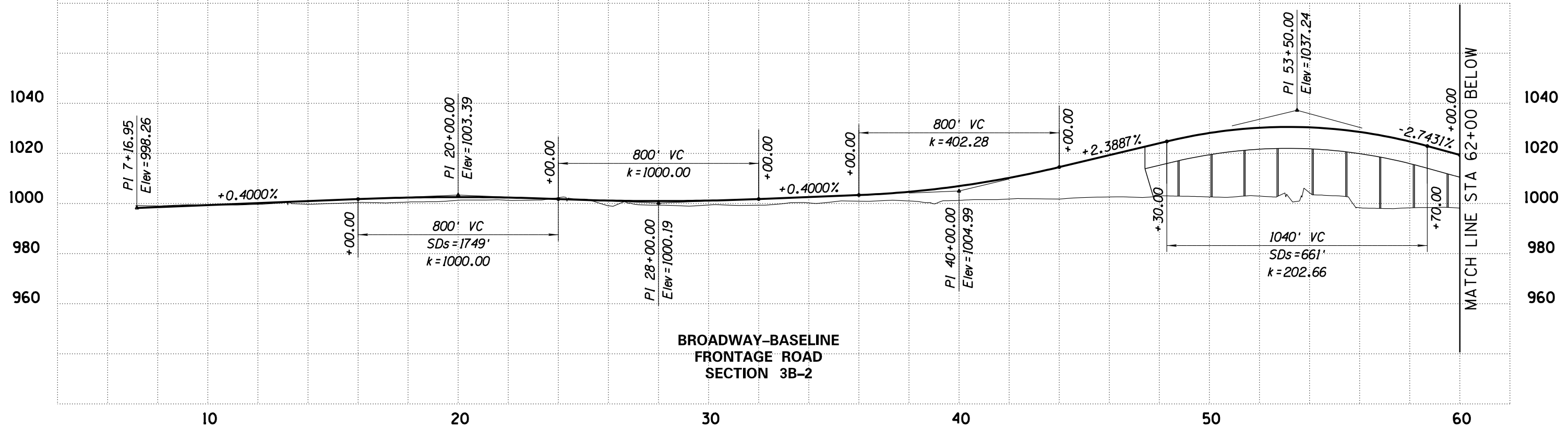
## SECTION 3B-2 SELECTED ALTERNATIVE

DESIGN	NAME	DATE	ARIZONA DEPARTMENT OF TRANSPORTATION INTERMODAL TRANSPORTATION DIVISION ROADWAY DESIGN SERVICES	LDCR Review NOT FOR CONSTRUCTION OR RECORDING DWG NO C-04.14
DRAWN	BJK	06/19		
CHECKED	CADD	06/19		
	BWB	06/19	PROFILE SHEET-SECTION 3B-2 BASELINE-BROADWAY FRONTAGE NB & SB FRONTAGE RAMPS	
ROUTE		SR 30, SR 303L TO SR 202L		
TRACS NO.		H6876 OIL		

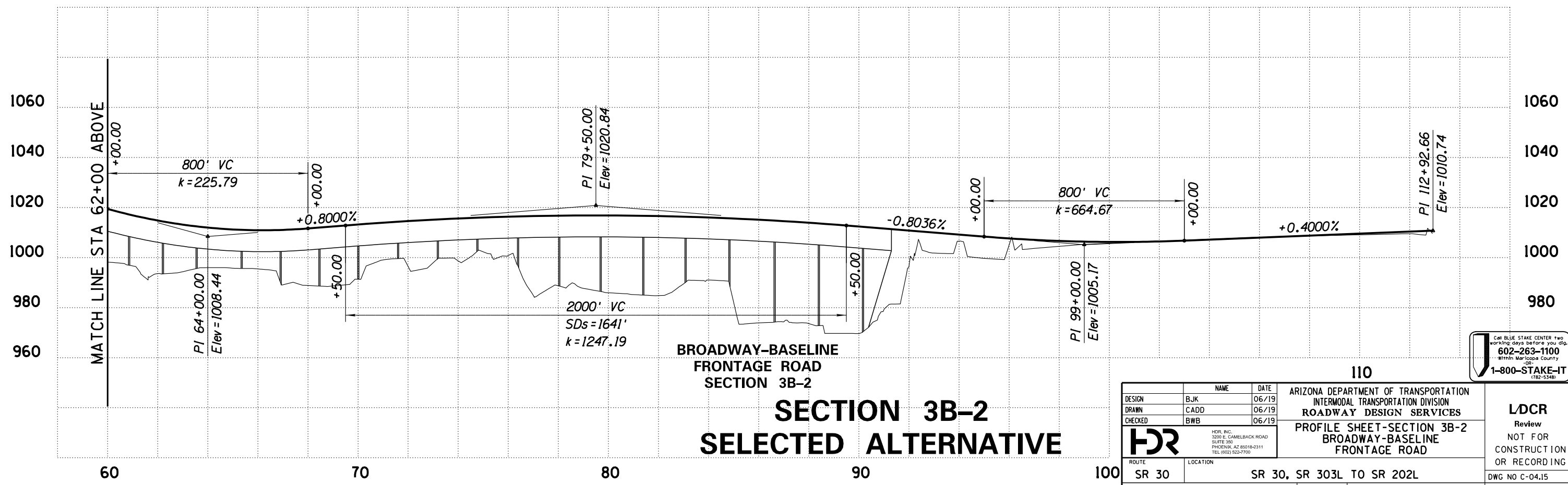
CAR BLUE STAKE CENTER Two  
 working days before you dig  
 602-263-1100  
 Within Maricopa County  
 OR  
 1-800-STAKE-IT  
 (182-5348)

F.H.W.A. REGION	STATE	PROJECT NO.	SHEET NO.	TOTAL SHEETS	RECORD DRAWING
9	ARIZ.				

030 MA 000



BROADWAY-BASELINE  
FRONTAGE ROAD  
SECTION 3B-2



BROADWAY-BASELINE  
FRONTAGE ROAD  
SECTION 3B-2  
**SECTION 3B-2  
SELECTED ALTERNATIVE**

DESIGN	NAME	DATE
DRAWN	BJK	06/19
CHECKED	CADD	06/19
	BWB	06/19



ROUTE SR 30 LOCATION SR 30, SR 303L TO SR 202L

ARIZONA DEPARTMENT OF TRANSPORTATION  
INTERMODAL TRANSPORTATION DIVISION  
ROADWAY DESIGN SERVICES  
PROFILE SHEET-SECTION 3B-2  
BROADWAY-BASELINE  
FRONTAGE ROAD

Car BLUE STAKE CENTER Two working days before you dig  
602-263-1100  
Within Maricopa County OR  
1-800-STAKE-IT (182-5348)

**LDCR**  
Review  
NOT FOR CONSTRUCTION OR RECORDING  
DWG NO C-04.15

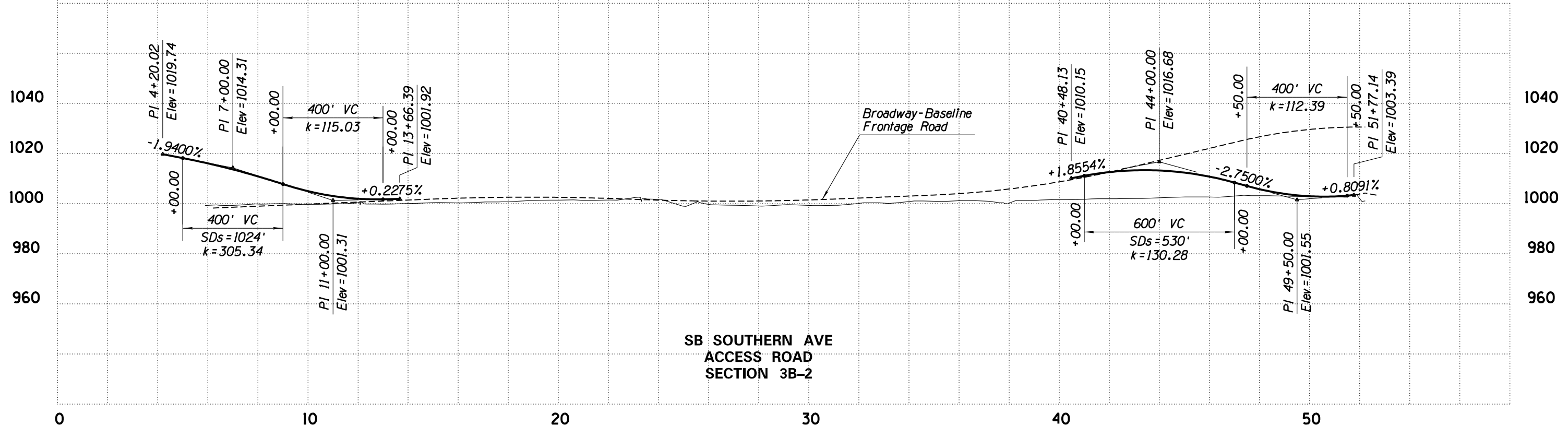
TRACS NO. H6876 OIL OF

DATE- LOCATION- REVISIONS- FINISHED PLANS- SURVEY NO.

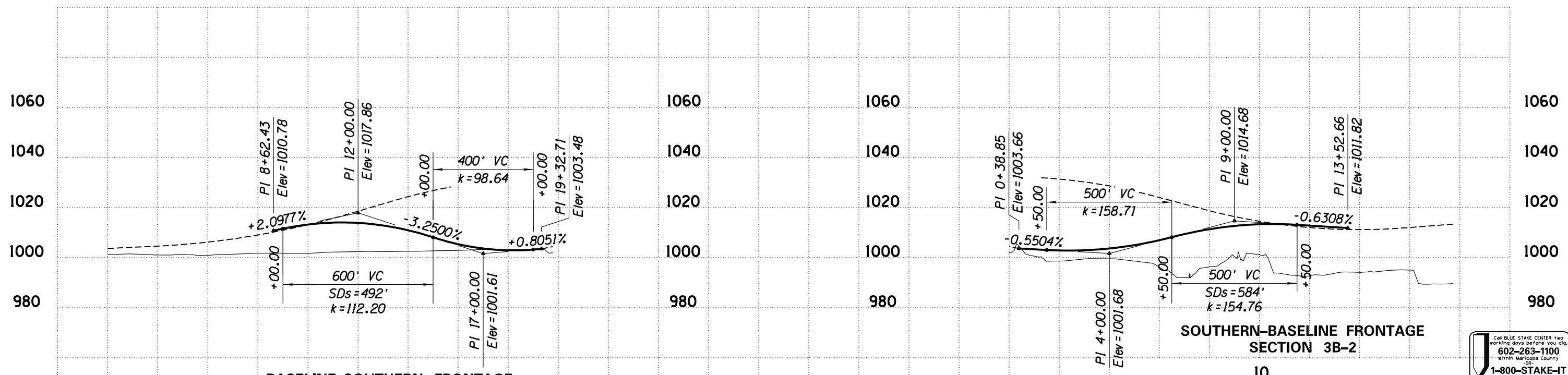


F.H.W.A. REGION	STATE	PROJECT NO.	SHEET NO.	TOTAL SHEETS	RECORD DRAWING
9	ARIZ.				

030 MA 000



**SB SOUTHERN AVE  
ACCESS ROAD  
SECTION 3B-2**




**BASELINE-SOUTHERN FRONTAGE  
SECTION 3B-2**

**SOUTHERN-BASELINE FRONTAGE  
SECTION 3B-2**

**SECTION 3B-2  
SELECTED ALTERNATIVE**

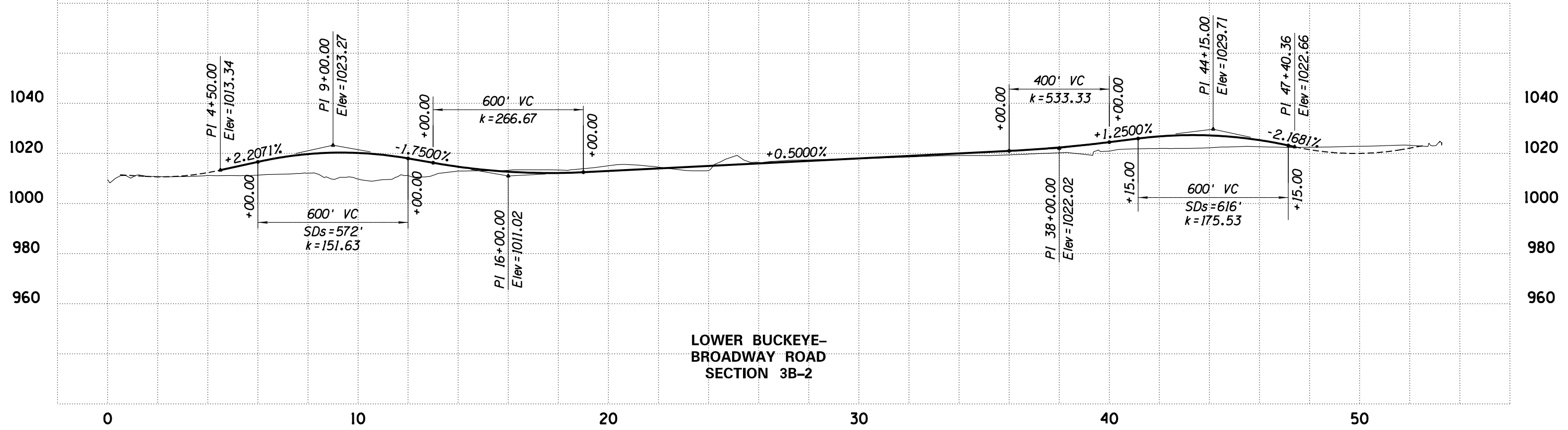
Call BLUE STAKE CENTER two working days before you dig  
602-263-1100  
Within Maricopa County  
OR  
1-800-STAKE-IT  
(182-5348)

DESIGN	NAME	DATE	ARIZONA DEPARTMENT OF TRANSPORTATION INTERMODAL TRANSPORTATION DIVISION ROADWAY DESIGN SERVICES	LDCR Review NOT FOR CONSTRUCTION OR RECORDING
DRAWN	BJK	06/19		
CHECKED	CADD	06/19		
 <small>HDR, INC. 3200 E. GAMBELBACK ROAD SUITE 300 PHOENIX, AZ 85018-2311 TEL: (602) 922-7700</small>			<b>PROFILE SHEET-SECTION 3B-2 SB SOUTHERN ACCESS RD SOUTHERN/BASELINE FRONTAGES</b>	
ROUTE	LOCATION		SR 30, SR 303L TO SR 202L TRACS NO. H6876 OIL	DWG NO C-04.16 OF
SR 30	SR 30, SR 303L TO SR 202L			

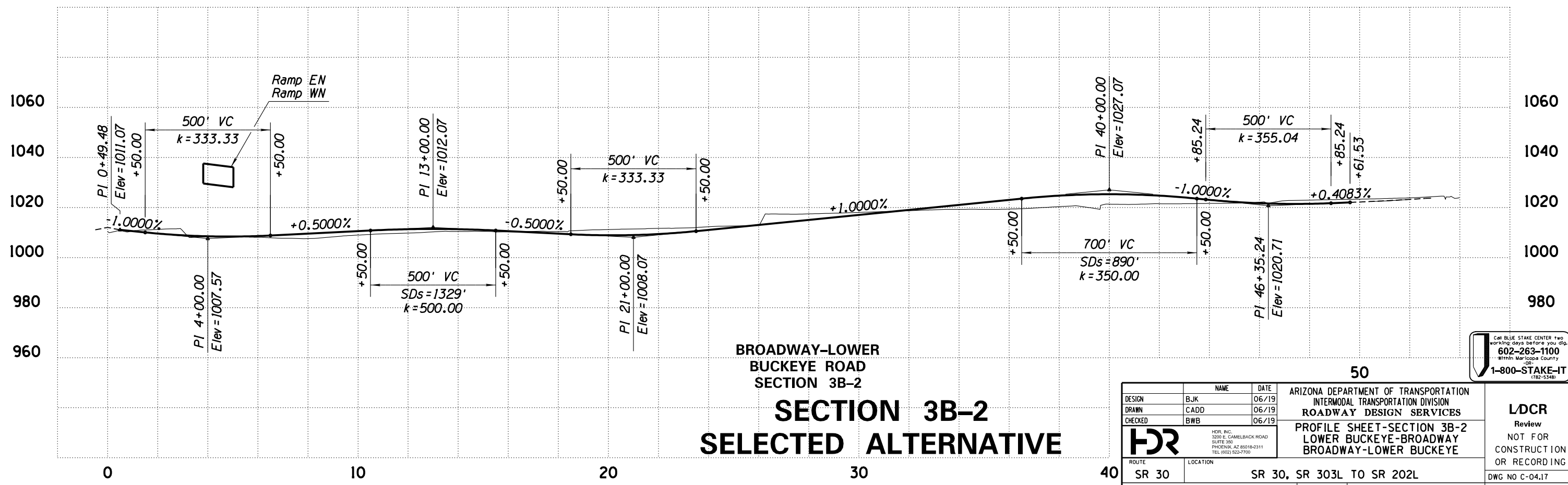
SURVEY NO. FINISHED PLANS- REVISIONS- LOCATION- DATE-

F.H.W.A. REGION	STATE	PROJECT NO.	SHEET NO.	TOTAL SHEETS	RECORD DRAWING
9	ARIZ.				

030 MA 000



LOWER BUCKEYE-BROADWAY ROAD  
SECTION 3B-2



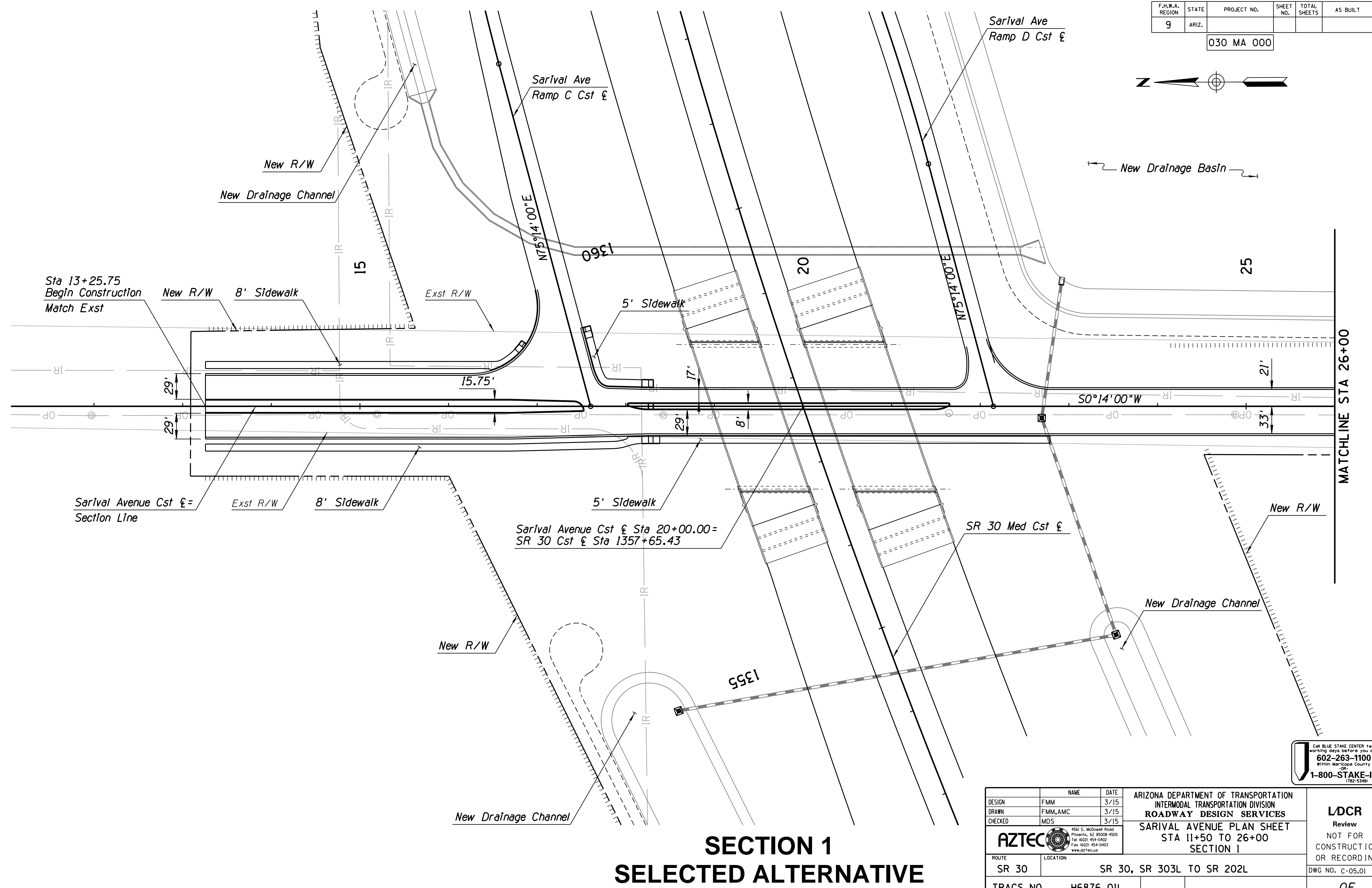
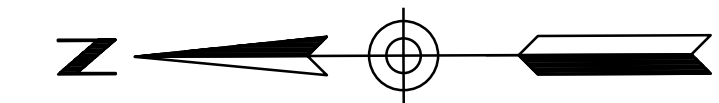
BROADWAY-LOWER BUCKEYE ROAD  
SECTION 3B-2  
**SECTION 3B-2  
SELECTED ALTERNATIVE**

DESIGN	BJK	DATE	06/19	ARIZONA DEPARTMENT OF TRANSPORTATION INTERMODAL TRANSPORTATION DIVISION ROADWAY DESIGN SERVICES	<b>LDCR</b> Review NOT FOR CONSTRUCTION OR RECORDING
DRAWN	CADD	DATE	06/19		
CHECKED	BWB	DATE	06/19		
<b>HR</b>		HR, INC. 3200 E. GAMBELBACK ROAD SUITE 300 PHOENIX, AZ 85018-2311 TEL: (602) 922-7700		PROFILE SHEET-SECTION 3B-2 LOWER BUCKEYE-BROADWAY BROADWAY-LOWER BUCKEYE	
ROUTE	SR 30	LOCATION	SR 30, SR 303L TO SR 202L		DWG NO C-04.17
TRACS NO.	H6876 OIL				OF

Call BLUE STAKE CENTER two  
working days before you dig.  
602-263-1100  
Within Maricopa County  
OR  
1-800-STAKE-IT  
(182-5348)

F.H.W.A. REGION	STATE	PROJECT NO.	SHEET NO.	TOTAL SHEETS	AS BUILT
9	ARIZ.				

030 MA 000



SURVEY NO. \_\_\_\_\_ DATE \_\_\_\_\_ REVISIONS \_\_\_\_\_ FINISHED PLANS \_\_\_\_\_ SURVEY NO. \_\_\_\_\_ DATE \_\_\_\_\_ REVISIONS \_\_\_\_\_ FINISHED PLANS \_\_\_\_\_ SURVEY NO. \_\_\_\_\_ DATE \_\_\_\_\_ REVISIONS \_\_\_\_\_ FINISHED PLANS \_\_\_\_\_

MATCHLINE STA 26+00

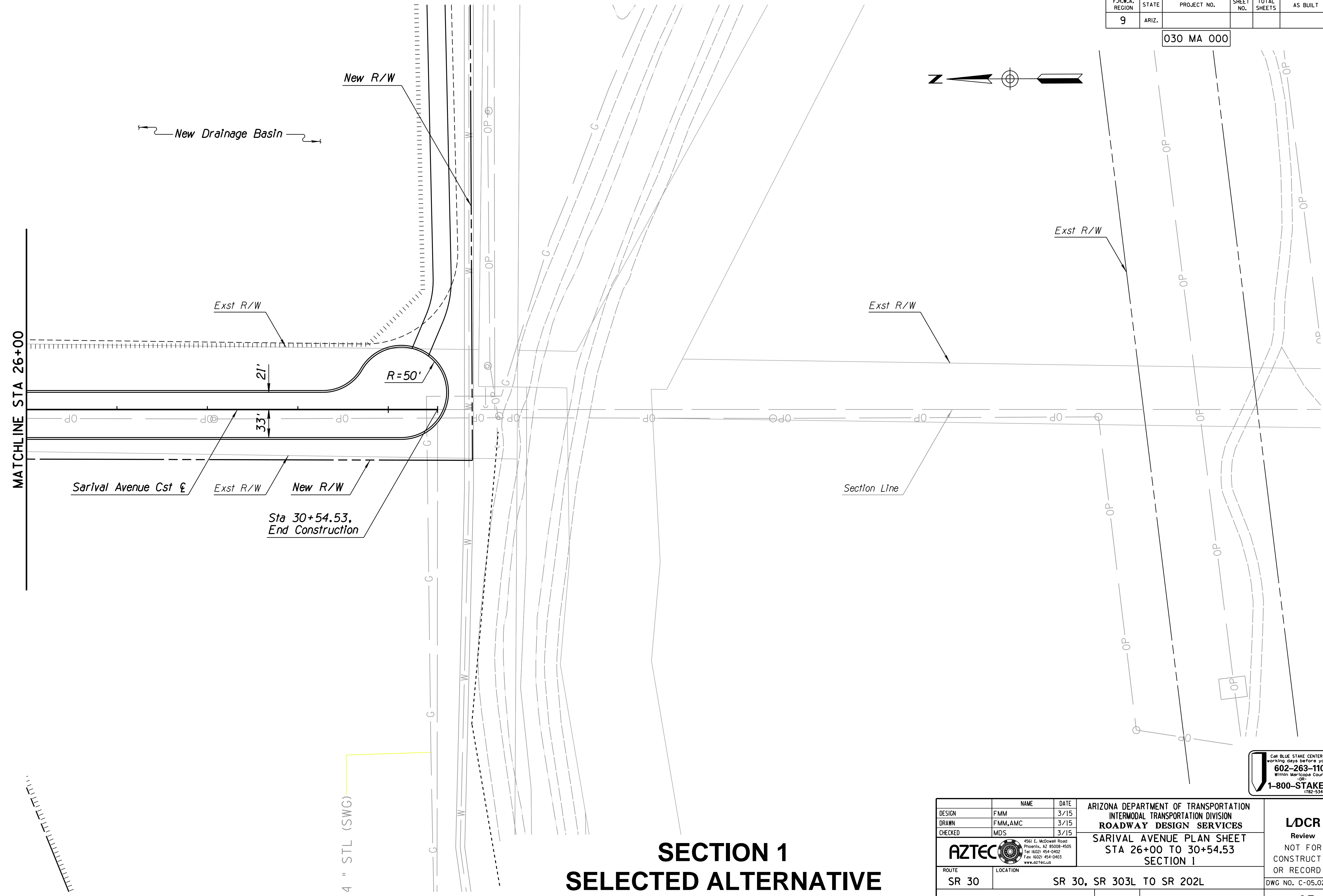
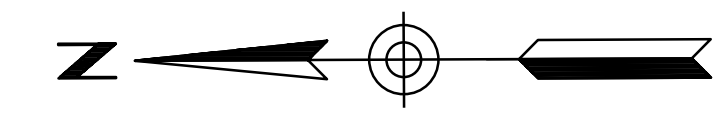
# SECTION 1 SELECTED ALTERNATIVE

DESIGN	FMM	DATE	3/15	ARIZONA DEPARTMENT OF TRANSPORTATION INTERMODAL TRANSPORTATION DIVISION <b>ROADWAY DESIGN SERVICES</b> SARIVAL AVENUE PLAN SHEET STA 11+50 TO 26+00 SECTION 1	<b>L/DCR</b> Review NOT FOR CONSTRUCTION OR RECORDING
DRAWN	FMM,AMC	3/15			
CHECKED	MDS	3/15			
ROUTE	SR 30	LOCATION	SR 30, SR 303L TO SR 202L	DWG NO. C-05.01	
TRACS NO.	H6876 OIL				

Call BLUE STAKE CENTER two working days before you dig.  
**602-263-1100**  
 Within Maricopa County  
 OR  
**1-800-STAKE-IT**  
(782-5348)

F.H.W.A. REGION	STATE	PROJECT NO.	SHEET NO.	TOTAL SHEETS	AS BUILT
9	ARIZ.				

030 MA 000



CALL BLUE STAKE CENTER two working days before you dig.  
**602-263-1100**  
 Within Maricopa County OR  
**1-800-STAKE-IT**  
 (782-5348)

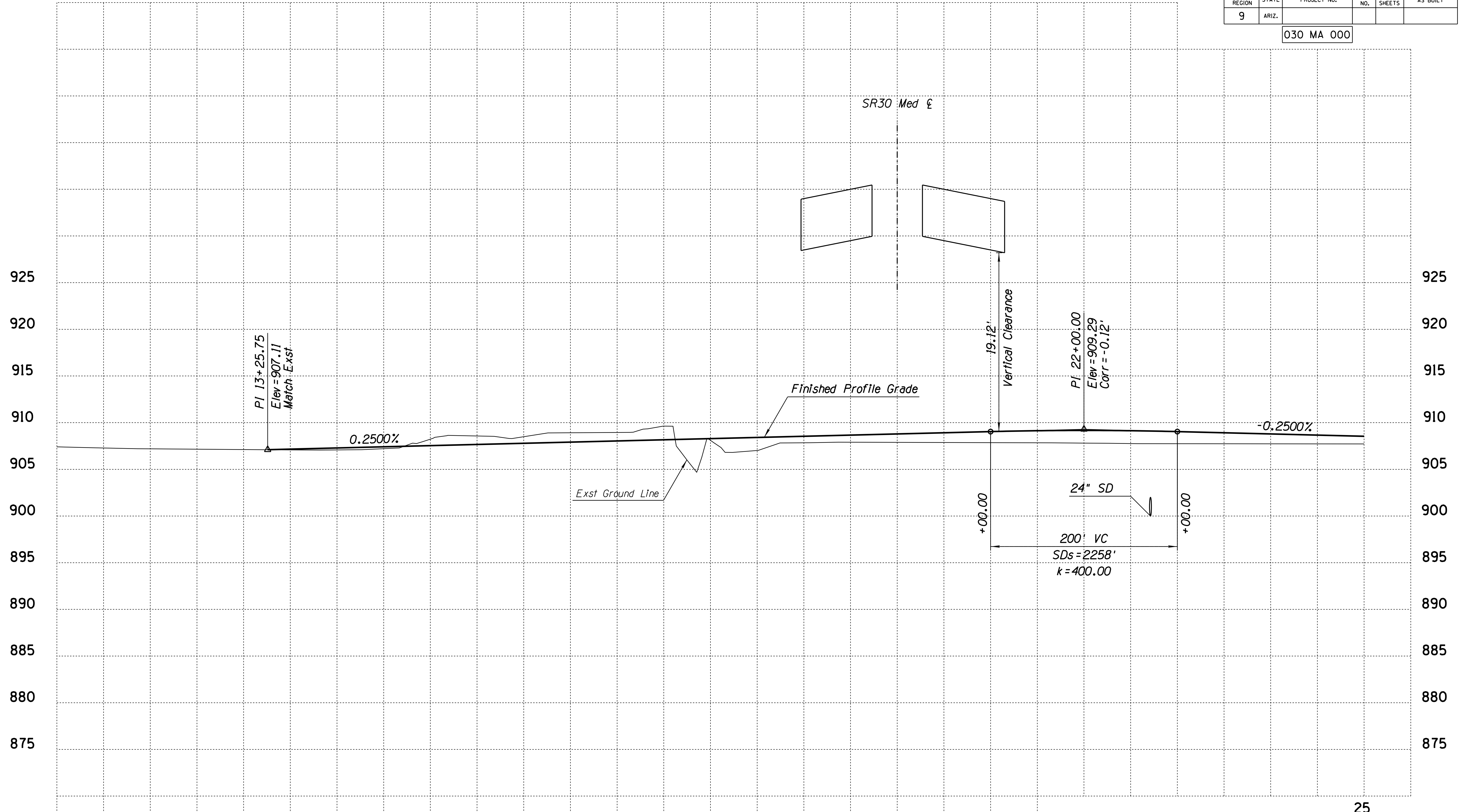
DESIGN	FMM	DATE	3/15	ARIZONA DEPARTMENT OF TRANSPORTATION INTERMODAL TRANSPORTATION DIVISION <b>ROADWAY DESIGN SERVICES</b> SARIVAL AVENUE PLAN SHEET STA 26+00 TO 30+54.53 SECTION 1	<b>L/DCR</b> Review NOT FOR CONSTRUCTION OR RECORDING DWG NO. C-05.02 OF
DRAWN	FMM,AMC	3/15			
CHECKED	MDS	3/15			
ROUTE		LOCATION			
SR 30		SR 30, SR 303L TO SR 202L			
TRACS NO.		H6876 OIL			

# SECTION 1 SELECTED ALTERNATIVE

SURVEY NO. FINISHED PLANS DATE REVISIONS LOCATION DATE FINISHED PLANS SURVEY NO. DATE REVISIONS LOCATION DATE

F.H.W.A. REGION	STATE	PROJECT NO.	SHEET NO.	TOTAL SHEETS	AS BUILT
9	ARIZ.				

030 MA 000



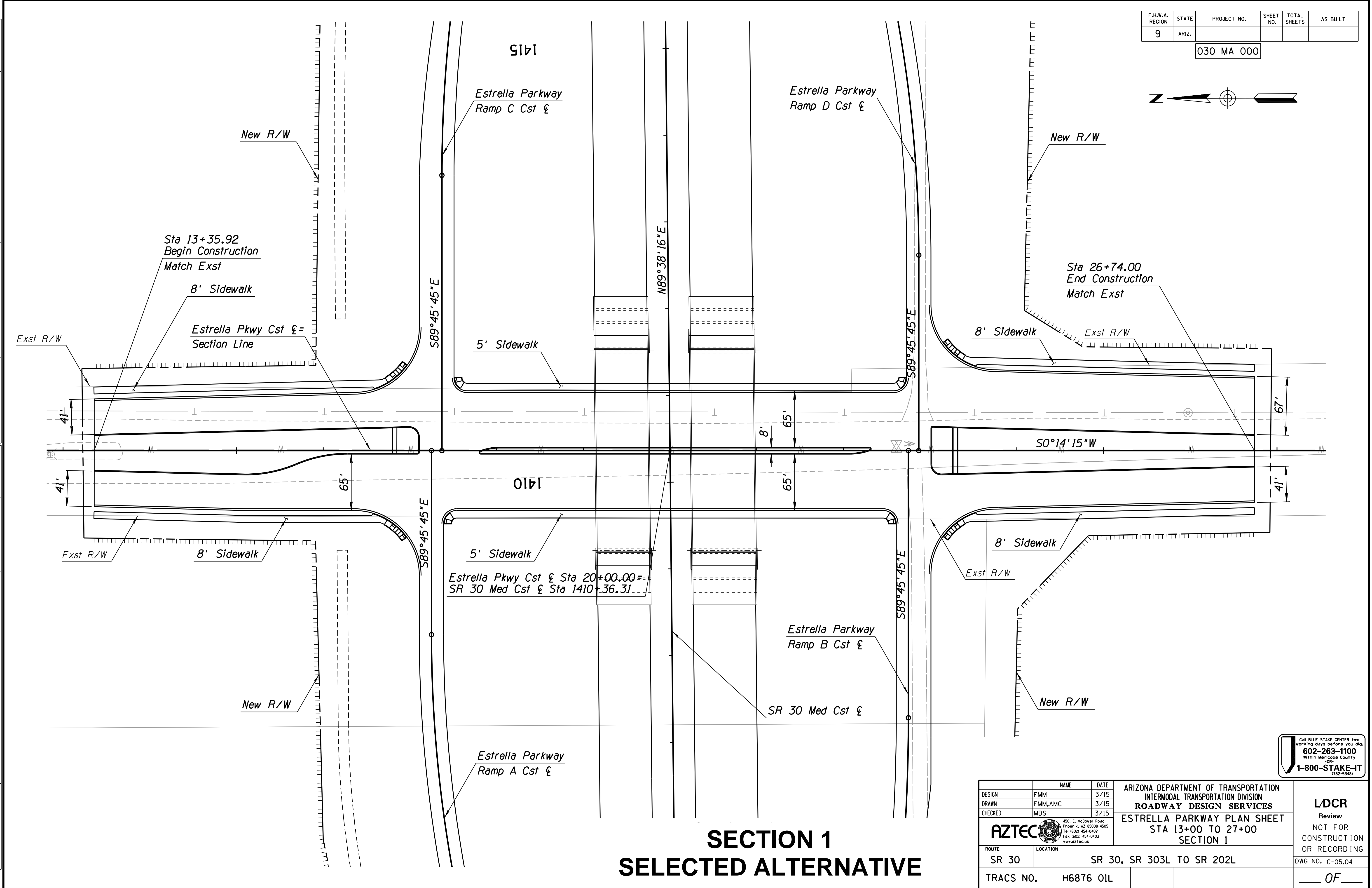
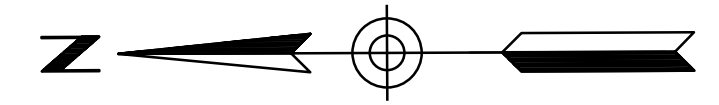
# SECTION 1 SELECTED ALTERNATIVE

DESIGN	FMM	DATE	3/15	ARIZONA DEPARTMENT OF TRANSPORTATION INTERMODAL TRANSPORTATION DIVISION ROADWAY DESIGN SERVICES	<b>L/DCR</b> Review NOT FOR CONSTRUCTION OR RECORDING
DRAWN	FMM, AMC	DATE	3/15		
CHECKED	MDS	DATE	3/15		
				SARIVAL AVENUE PROFILE SHEET STA 11+00 TO 25+00 SECTION 1	
ROUTE	SR 30	LOCATION	SR 30, SR 303L TO SR 202L	DWG NO. C-05.03	
TRACS NO.	H6876 OIL				OF

SURVEY NO. FINISHED PLANS DATE REVISIONS LOCATION DATE FINISHED PLANS SURVEY NO. REVISIONS LOCATION DATE

F.H.W.A. REGION	STATE	PROJECT NO.	SHEET NO.	TOTAL SHEETS	AS BUILT
9	ARIZ.				

030 MA 000



SURVEY NO. DATE FINISHED PLANS REVISIONS LOCATION DATE FINISHED PLANS SURVEY NO. DATE FINISHED PLANS REVISIONS LOCATION DATE FINISHED PLANS SURVEY NO.

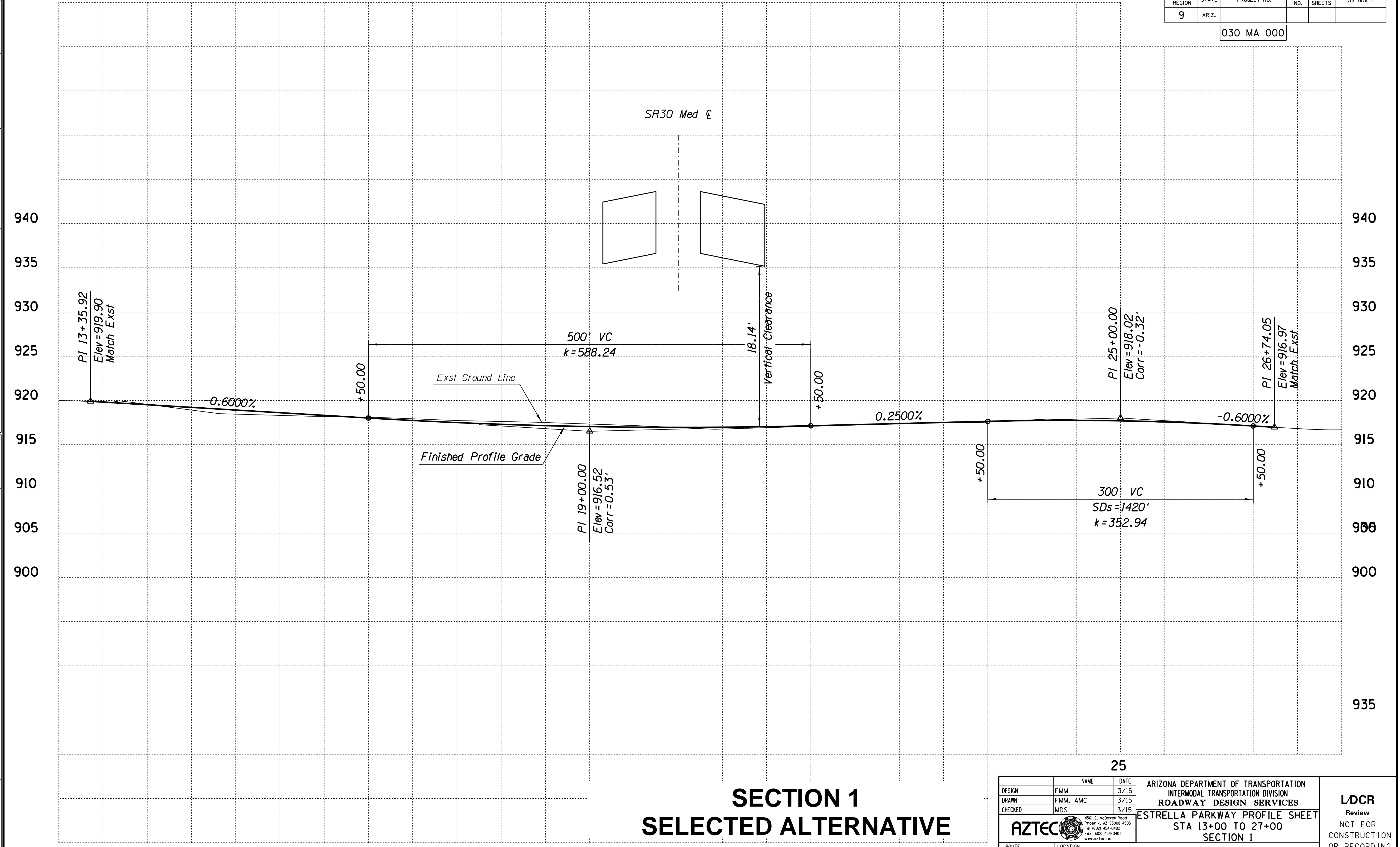
## SECTION 1 SELECTED ALTERNATIVE

DESIGN		FMM	DATE	3/15	ARIZONA DEPARTMENT OF TRANSPORTATION INTERMODAL TRANSPORTATION DIVISION <b>ROADWAY DESIGN SERVICES</b> ESTRELLA PARKWAY PLAN SHEET STA 13+00 TO 27+00 SECTION 1	<b>L/DCR</b> Review NOT FOR CONSTRUCTION OR RECORDING DWG NO. C-05.04 OF
DRAWN		FMM,AMC	DATE	3/15		
CHECKED		MDS	DATE	3/15		
ROUTE	LOCATION	SR 30, SR 303L TO SR 202L				
TRACS NO.	H6876 OIL					

Call BLUE STAKE CENTER two  
 working days before you dig.  
**602-263-1100**  
 Within Maricopa County  
 OR  
**1-800-STAKE-IT**  
 (782-5348)

F.H.W.A. REGION	STATE	PROJECT NO.	SHEET NO.	TOTAL SHEETS	AS BUILT
9	ARIZ.				

030 MA 000



# SECTION 1 SELECTED ALTERNATIVE

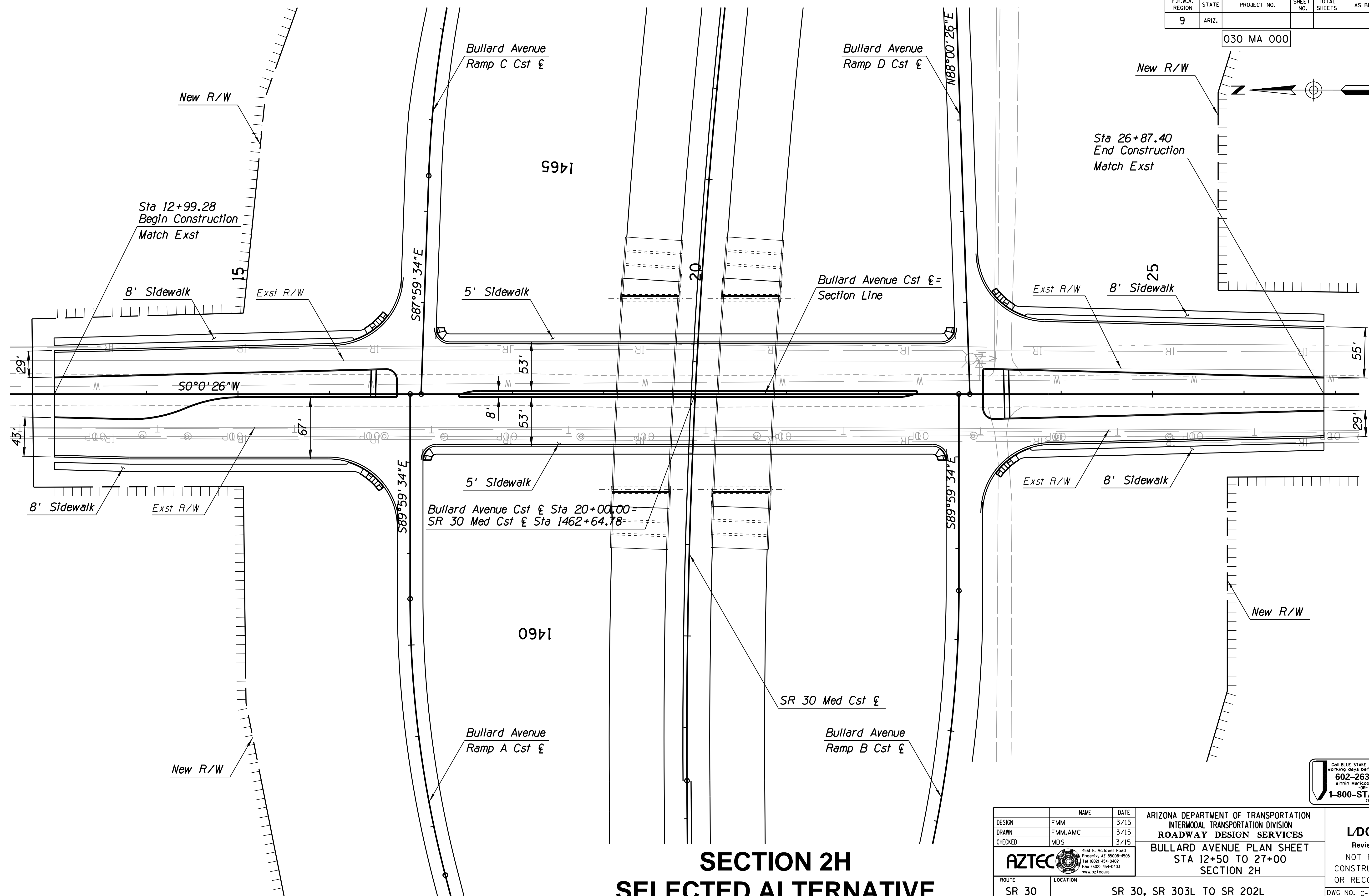
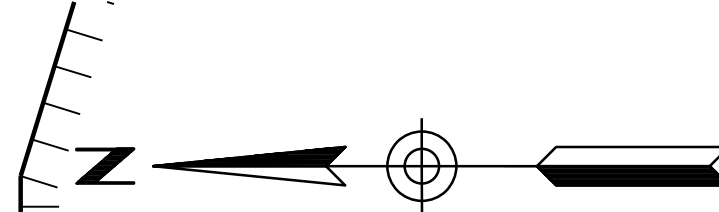
25

DESIGN	FMM	DATE	3/15	ARIZONA DEPARTMENT OF TRANSPORTATION INTERMODAL TRANSPORTATION DIVISION <b>ROADWAY DESIGN SERVICES</b>	<b>L/DCR</b> Review NOT FOR CONSTRUCTION OR RECORDING
DRAWN	FMM, AMC	DATE	3/15		
CHECKED	MDS	DATE	3/15		
<b>AZTEC</b>				ESTRELLA PARKWAY PROFILE SHEET STA 13+00 TO 27+00 SECTION 1	
ROUTE	SR 30	LOCATION	SR 30, SR 303L TO SR 202L		
TRACS NO.	H6876 OIL		DWG NO. C-05.05		OF

SURVEY NO. FINISHED PLANS DATE LOCATION REVISIONS FINISHED PLANS DATE SURVEY NO. FINISHED PLANS DATE LOCATION REVISIONS FINISHED PLANS DATE SURVEY NO.

F.H.W.A. REGION	STATE	PROJECT NO.	SHEET NO.	TOTAL SHEETS	AS BUILT
9	ARIZ.				

030 MA 000



## SECTION 2H SELECTED ALTERNATIVE

DESIGN	FMM	DATE	3/15	ARIZONA DEPARTMENT OF TRANSPORTATION INTERMODAL TRANSPORTATION DIVISION <b>ROADWAY DESIGN SERVICES</b> BULLARD AVENUE PLAN SHEET STA 12+50 TO 27+00 SECTION 2H	<b>L/DCR</b> Review NOT FOR CONSTRUCTION OR RECORDING
DRAWN	FMM,AMC	3/15			
CHECKED	MDS	3/15			
ROUTE		LOCATION		DWG NO. C-06.01 OF	
SR 30		SR 30, SR 303L TO SR 202L			
TRACS NO.		H6876 OIL			

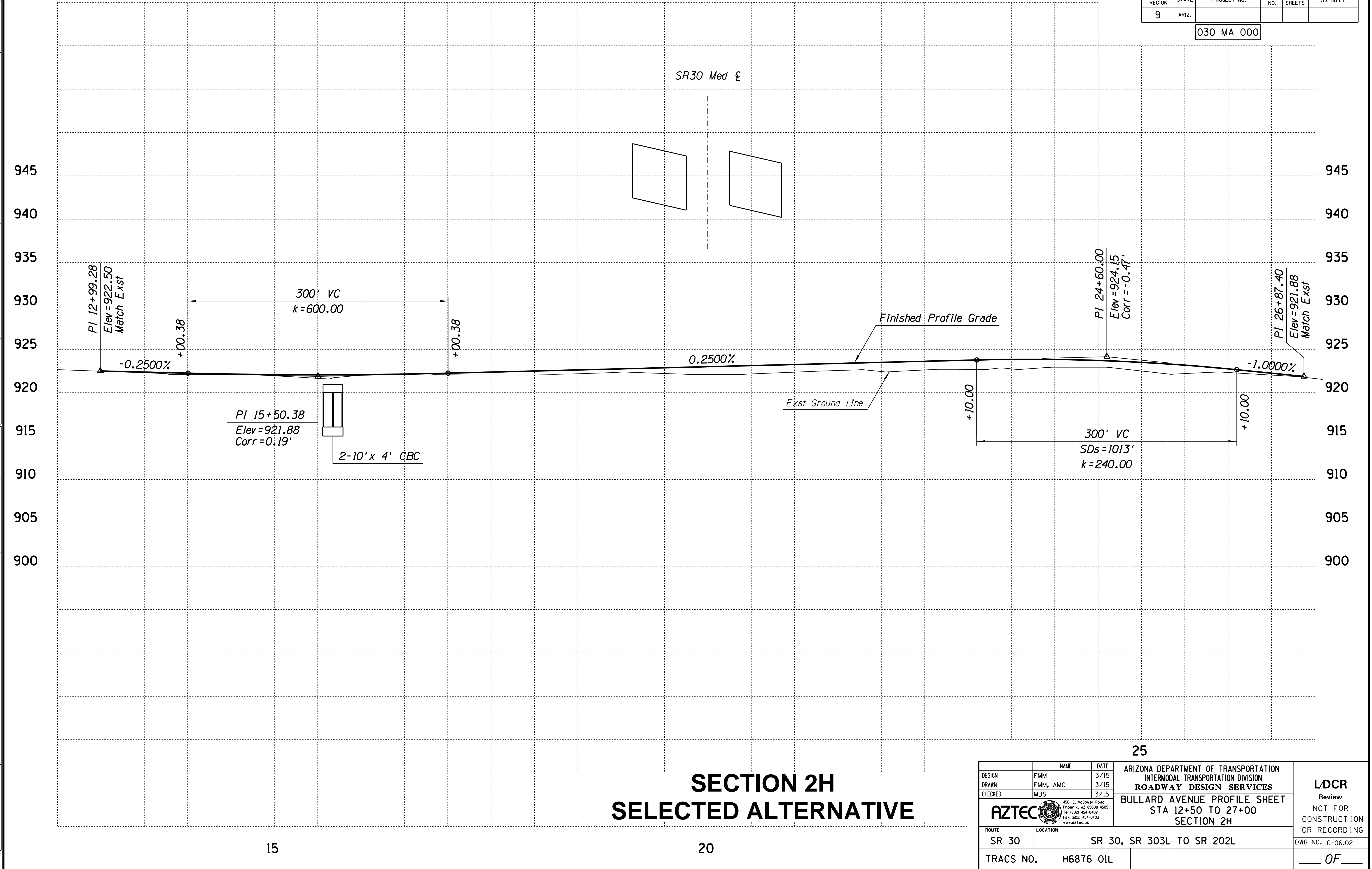
CALL BLUE STAKE CENTER two working days before you dig.  
**602-263-1100**  
 Within Maricopa County  
 OR  
**1-800-STAKE-IT**  
 (782-5348)

SURVEY NO. FINISHED PLANS DATE REVISIONS LOCATION DATE FINISHED PLANS SURVEY NO. FINISHED PLANS DATE REVISIONS LOCATION DATE



F.H.W.A. REGION	STATE	PROJECT NO.	SHEET NO.	TOTAL SHEETS	AS BUILT
9	ARIZ.				

030 MA 000

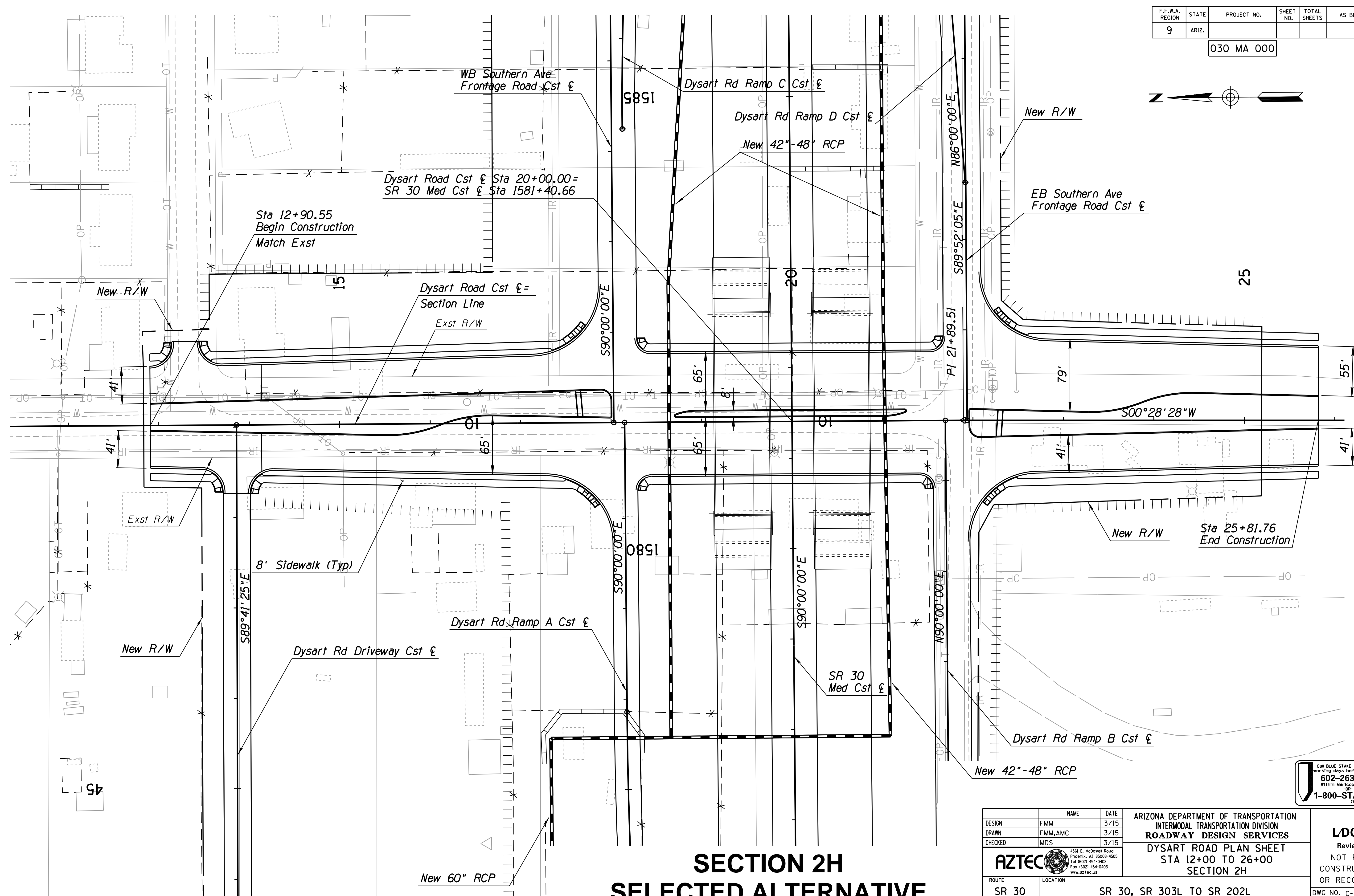
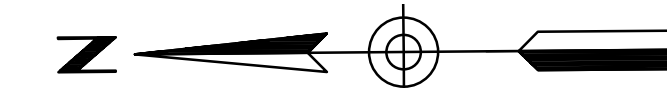


# SECTION 2H SELECTED ALTERNATIVE

DESIGN	FMM	DATE	3/15	ARIZONA DEPARTMENT OF TRANSPORTATION INTERMODAL TRANSPORTATION DIVISION <b>ROADWAY DESIGN SERVICES</b> BULLARD AVENUE PROFILE SHEET STA 12+50 TO 27+00 SECTION 2H	<b>L/DCR</b> Review NOT FOR CONSTRUCTION OR RECORDING
DRAWN	FMM, AMC	3/15			
CHECKED	MDS	3/15			
ROUTE		SR 30		SR 30, SR 303L TO SR 202L	
TRACS NO.		H6876 OIL		DWG NO. C-06.02	

F.H.W.A. REGION	STATE	PROJECT NO.	SHEET NO.	TOTAL SHEETS	AS BUILT
9	ARIZ.				

030 MA 000



## SECTION 2H SELECTED ALTERNATIVE

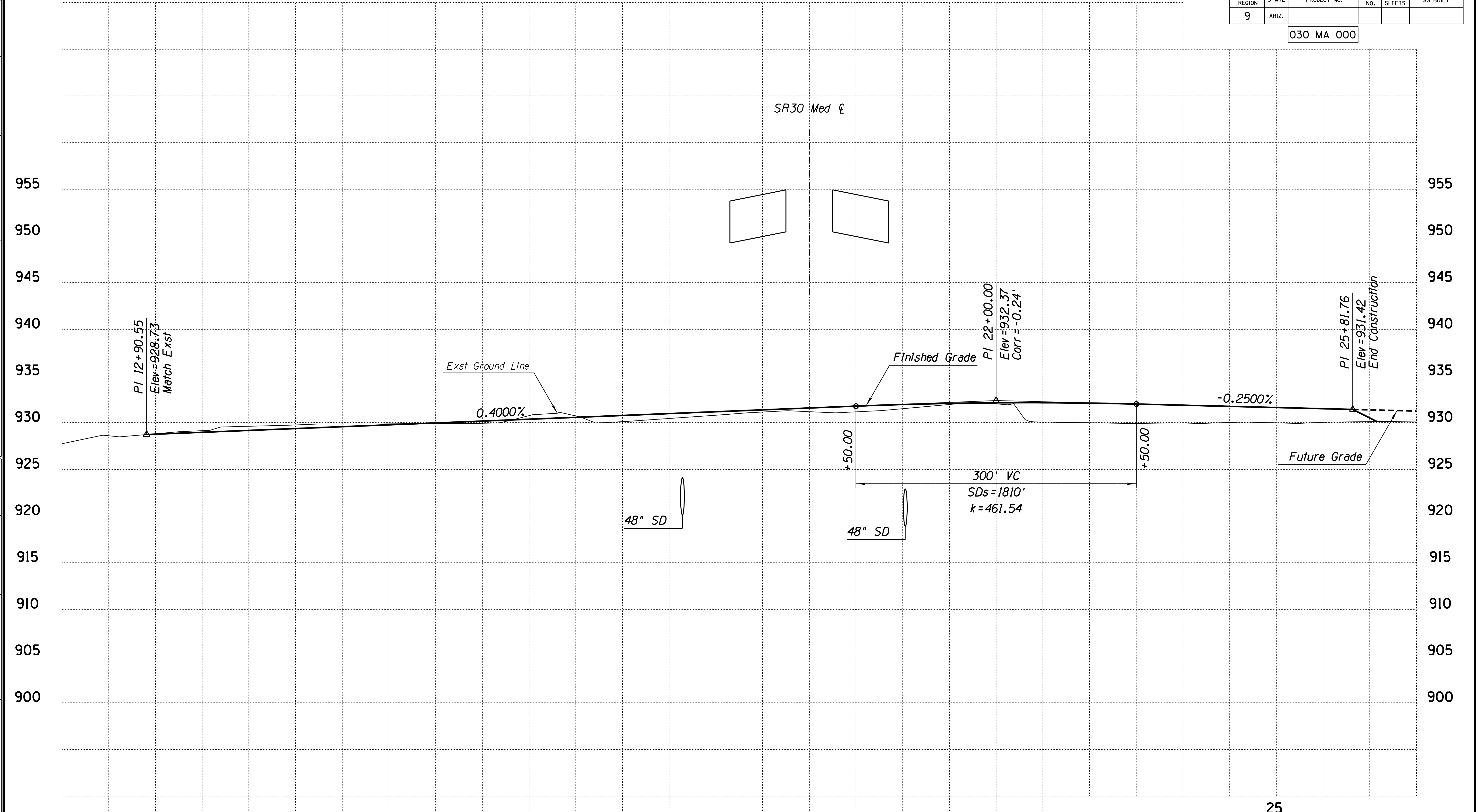
DESIGN	FMM	DATE	3/15	ARIZONA DEPARTMENT OF TRANSPORTATION INTERMODAL TRANSPORTATION DIVISION <b>ROADWAY DESIGN SERVICES</b> DYSART ROAD PLAN SHEET STA 12+00 TO 26+00 SECTION 2H	<b>L/DCR</b> Review NOT FOR CONSTRUCTION OR RECORDING DWG NO. C-06.03
DRAWN	FMM,AMC	3/15			
CHECKED	MDS	3/15			
ROUTE		LOCATION		4561 E. McDowell Road Phoenix, AZ 85008-4505 Tel: (602) 454-5400 Fax: (602) 454-5403 www.azteccus.com	
SR 30		SR 30, SR 303L TO SR 202L		TRACS NO. H6876 OIL OF	

CALL BLUE STAKE CENTER two working days before you dig.  
**602-263-1100**  
 Within Maricopa County  
 OR  
**1-800-STAKE-IT**  
 (782-5348)

SURVEY NO. FINISHED PLANS. DATE. REVISIONS. LOCATION. DATE. REVISIONS. FINISHED PLANS. SURVEY NO. DATE. REVISIONS. FINISHED PLANS.

F.H.W.A. REGION	STATE	PROJECT NO.	SHEET NO.	TOTAL SHEETS	AS BUILT
9	ARIZ.				

030 MA 000

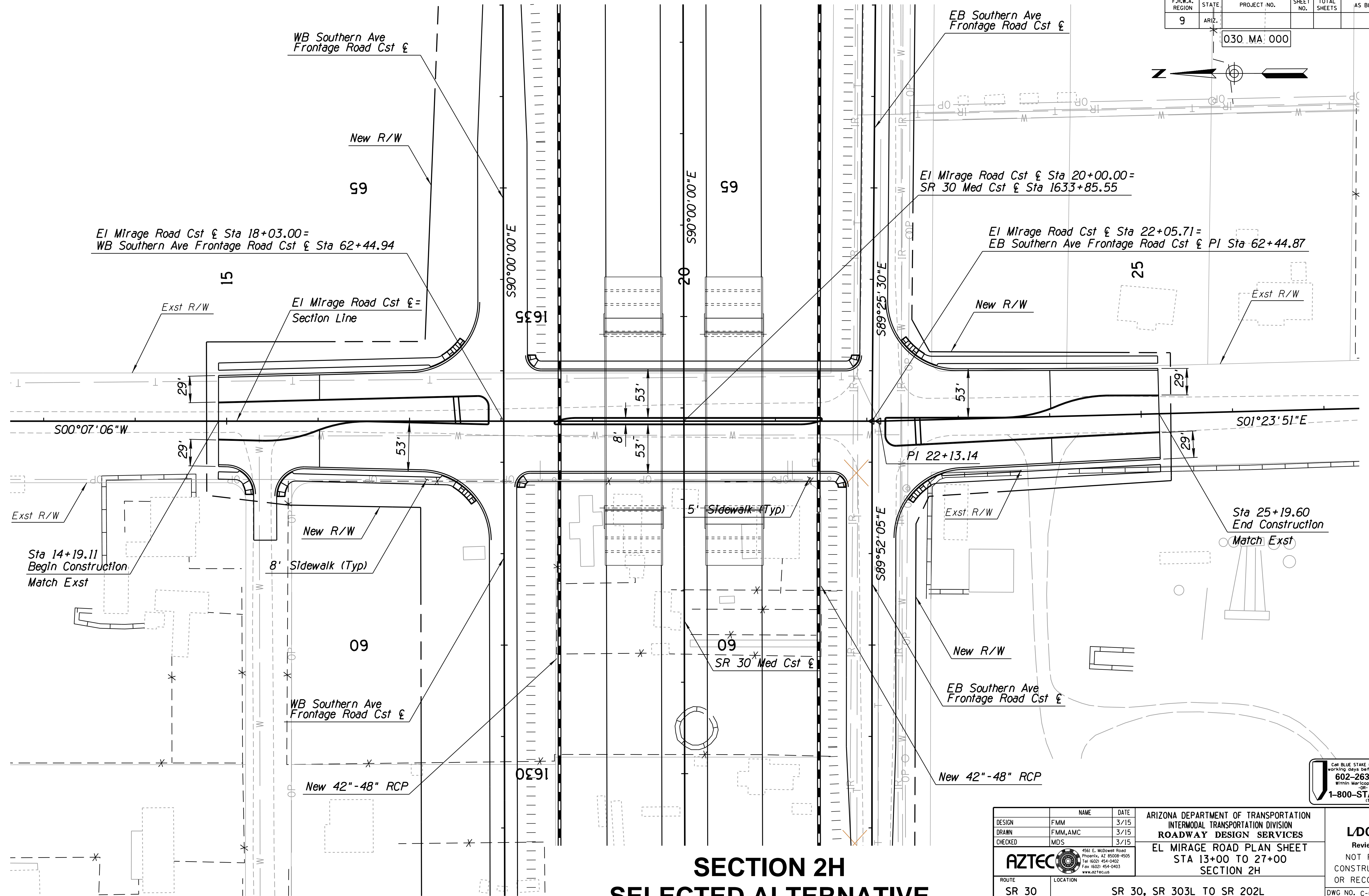
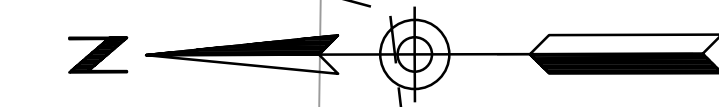


## SECTION 2H SELECTED ALTERNATIVE

<table border="1" style="font-size: small;"> <tr><th>DESIGN</th><td>FMM</td><td>DATE</td><td>3/15</td></tr> <tr><th>DRAWN</th><td>FMM, AMC</td><td></td><td>3/15</td></tr> <tr><th>CHECKED</th><td>MDS</td><td></td><td>3/15</td></tr> </table>		DESIGN	FMM	DATE	3/15	DRAWN	FMM, AMC		3/15	CHECKED	MDS		3/15	<b>ARIZONA DEPARTMENT OF TRANSPORTATION</b> INTERMODAL TRANSPORTATION DIVISION <b>ROADWAY DESIGN SERVICES</b>	<b>L/DCR</b> Review NOT FOR CONSTRUCTION OR RECORDING
DESIGN	FMM	DATE	3/15												
DRAWN	FMM, AMC		3/15												
CHECKED	MDS		3/15												
4561 E. McDowell Road Phoenix, AZ 85008-4505 Tel: (602) 454-0400 Fax: (602) 454-0403 www.aztec.us		<b>DYSART ROAD PROFILE SHEET</b> STA 12+00 TO 26+00 SECTION 2H													
ROUTE: SR 30      LOCATION: SR 30, SR 303L TO SR 202L		DWG NO. C-06.04													
TRACS NO. H6876 OIL		OF													

SURVEY NO. FINISHED PLANS DATE LOCATION REVISIONS FINISHED PLANS DATE SURVEY NO. FINISHED PLANS DATE LOCATION REVISIONS FINISHED PLANS DATE SURVEY NO.

F.H.W.A. REGION	STATE	PROJECT NO.	SHEET NO.	TOTAL SHEETS	AS BUILT
9	ARIZ.		030 MA 000		



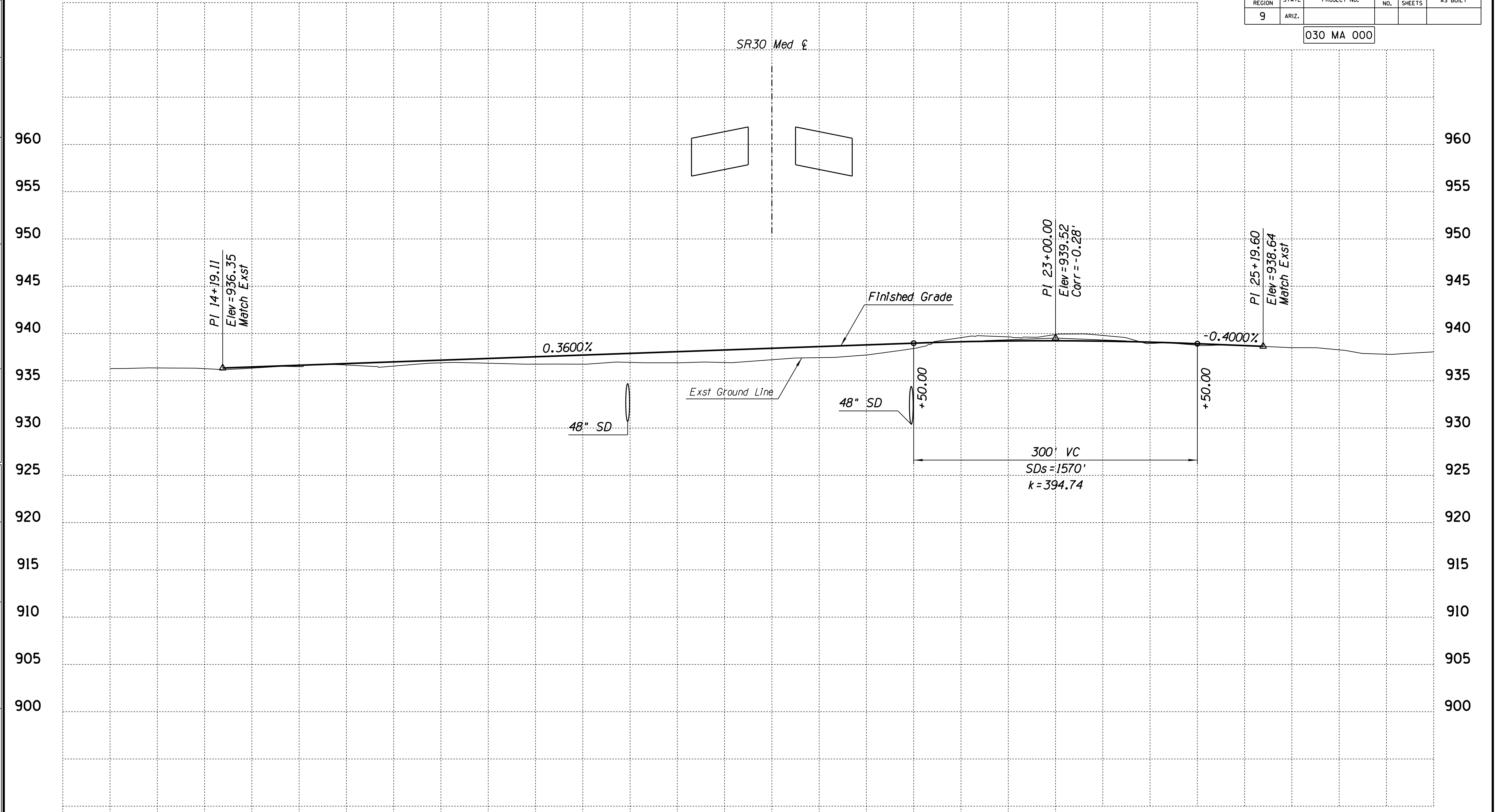
## SECTION 2H SELECTED ALTERNATIVE

DESIGN	FMM	DATE	3/15	ARIZONA DEPARTMENT OF TRANSPORTATION INTERMODAL TRANSPORTATION DIVISION <b>ROADWAY DESIGN SERVICES</b> EL MIRAGE ROAD PLAN SHEET STA 13+00 TO 27+00 SECTION 2H	<b>L/DCR</b> Review NOT FOR CONSTRUCTION OR RECORDING
DRAWN	FMM,AMC	3/15			
CHECKED	MDS	3/15			
ROUTE		LOCATION		AZTEC <small>4561 E. McDowell Road Phoenix, AZ 85008-6505 Tel: 602-454-0402 Fax: 602-454-0403 www.aztec.us</small>	DWG NO. C-06.05 OF
SR 30		SR 30, SR 303L TO SR 202L			
TRACS NO.		H6876 OIL			

Call BLUE STAKE CENTER two  
 working days before you dig.  
**602-263-1100**  
 Within Maricopa County  
 OR  
**1-800-STAKE-IT**  
(782-5348)

F.H.W.A. REGION	STATE	PROJECT NO.	SHEET NO.	TOTAL SHEETS	AS BUILT
9	ARIZ.				

030 MA 000

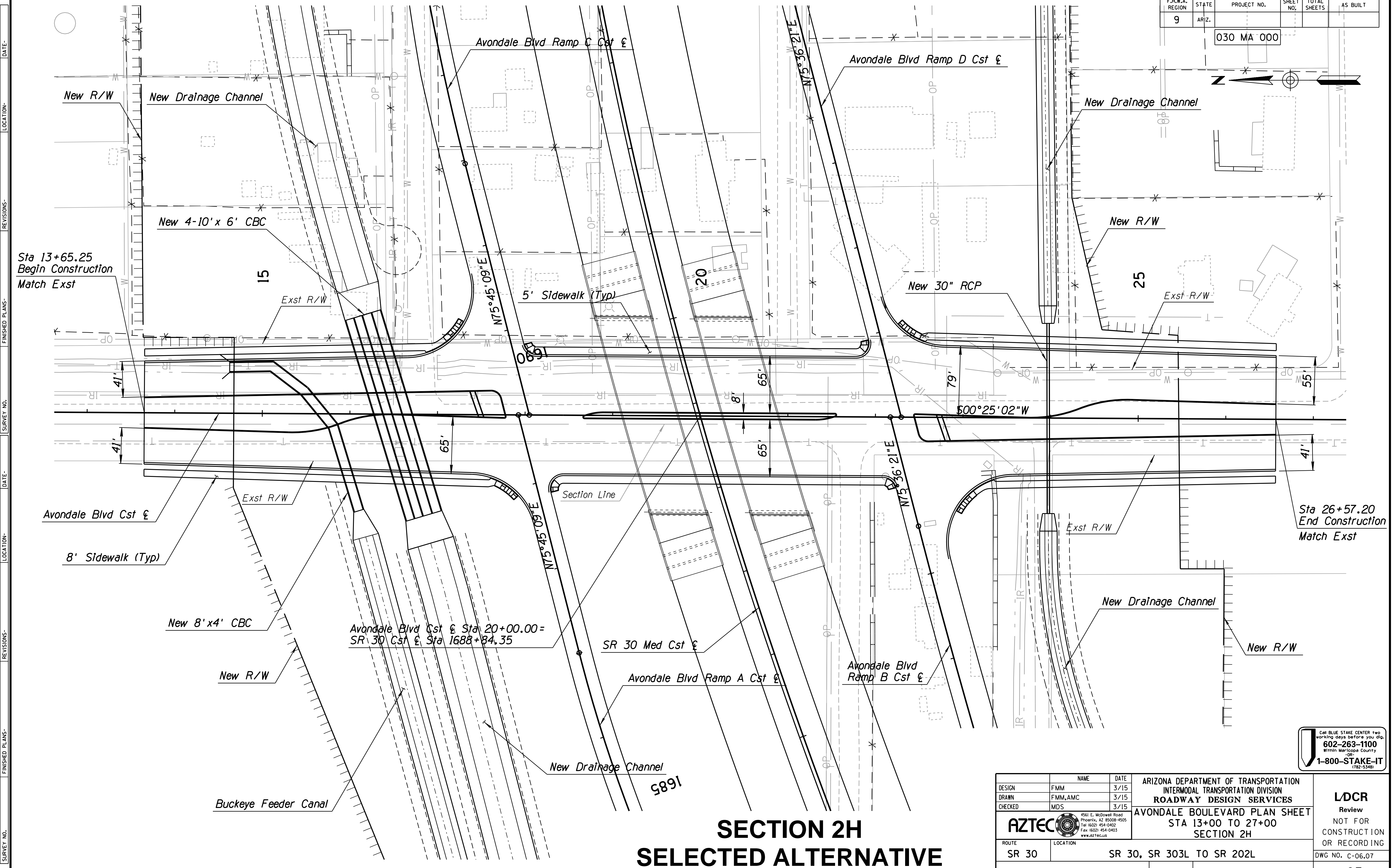
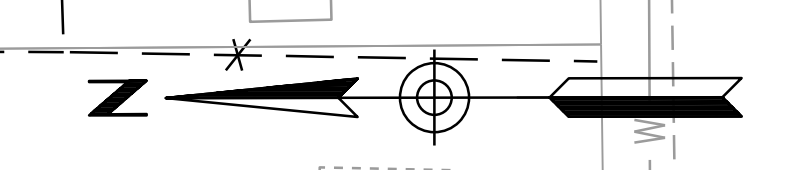


## SECTION 2H SELECTED ALTERNATIVE

DESIGN	FMM	DATE	3/15	ARIZONA DEPARTMENT OF TRANSPORTATION INTERMODAL TRANSPORTATION DIVISION <b>ROADWAY DESIGN SERVICES</b> EL MIRAGE ROAD PROFILE SHEET STA 13+00 TO 27+00 SECTION 2H	<b>L/DCR</b> Review NOT FOR CONSTRUCTION OR RECORDING
DRAWN	FMM, AMC	3/15			
CHECKED	MDS	3/15			
ROUTE		SR 30		SR 30, SR 303L TO SR 202L	
TRACS NO.		H6876 OIL		DWG NO. C-06.06	

F.H.W.A. REGION	STATE	PROJECT NO.	SHEET NO.	TOTAL SHEETS	AS BUILT
9	ARIZ.				

030 MA 000



SURVEY NO. FINISHED PLANS DATE LOCATION REVISIONS FINISHED PLANS DATE SURVEY NO. FINISHED PLANS DATE LOCATION REVISIONS FINISHED PLANS DATE SURVEY NO.

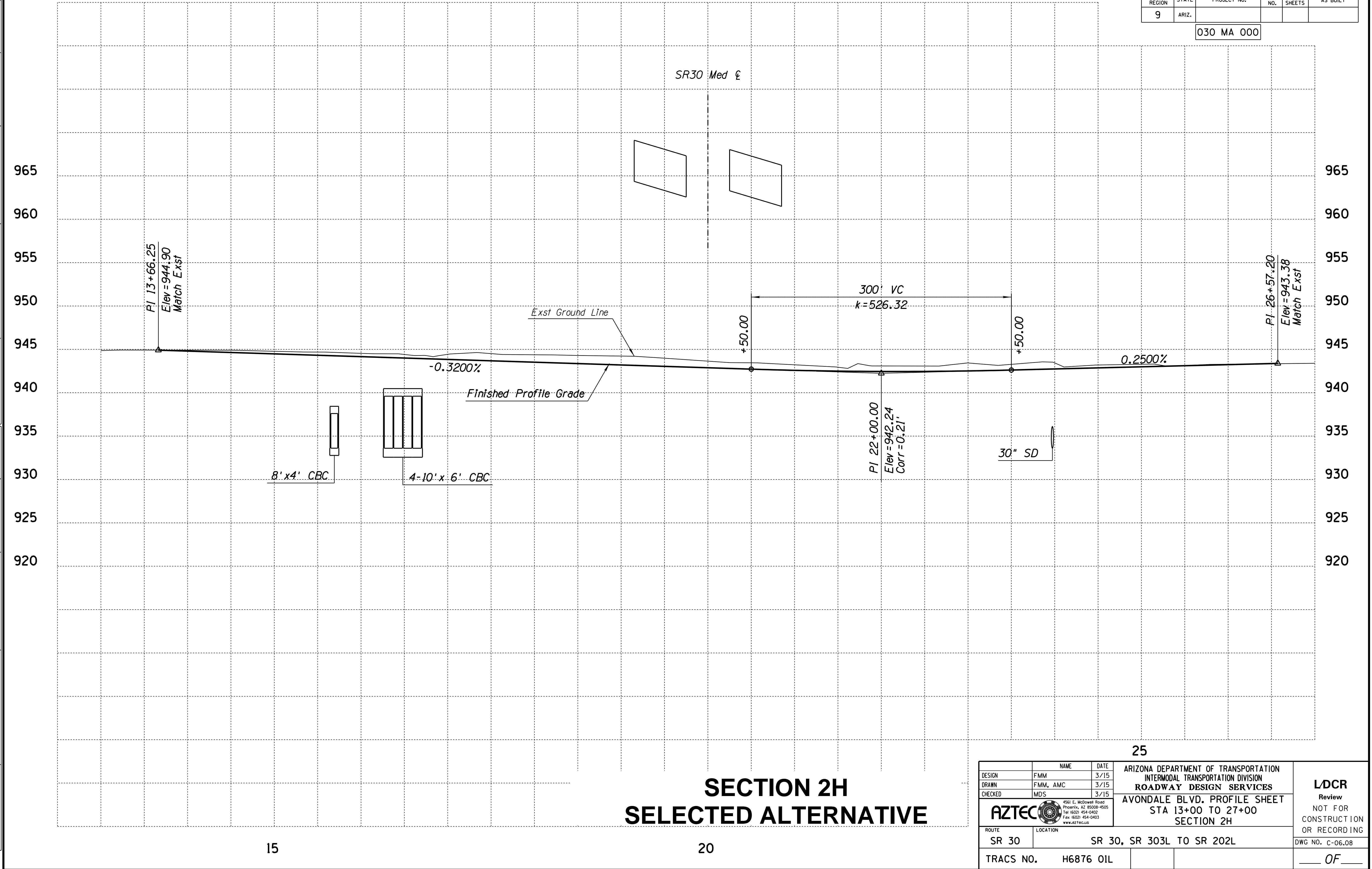
## SECTION 2H SELECTED ALTERNATIVE

Call BLUE STAKE CENTER two working days before you dig.  
**602-263-1100**  
 Within Maricopa County  
 OR  
**1-800-STAKE-IT**  
(782-5348)

DESIGN	FMM	DATE	3/15	ARIZONA DEPARTMENT OF TRANSPORTATION INTERMODAL TRANSPORTATION DIVISION <b>ROADWAY DESIGN SERVICES</b> AVONDALE BOULEVARD PLAN SHEET STA 13+00 TO 27+00 SECTION 2H	<b>L/DCR</b> Review NOT FOR CONSTRUCTION OR RECORDING
DRAWN	FMM,AMC	3/15			
CHECKED	MDS	3/15			
ROUTE	SR 30	LOCATION	SR 30, SR 303L TO SR 202L	DWG NO.	C-06.07
TRACS NO.	H6876 OIL				OF

F.H.W.A. REGION	STATE	PROJECT NO.	SHEET NO.	TOTAL SHEETS	AS BUILT
9	ARIZ.				

030 MA 000



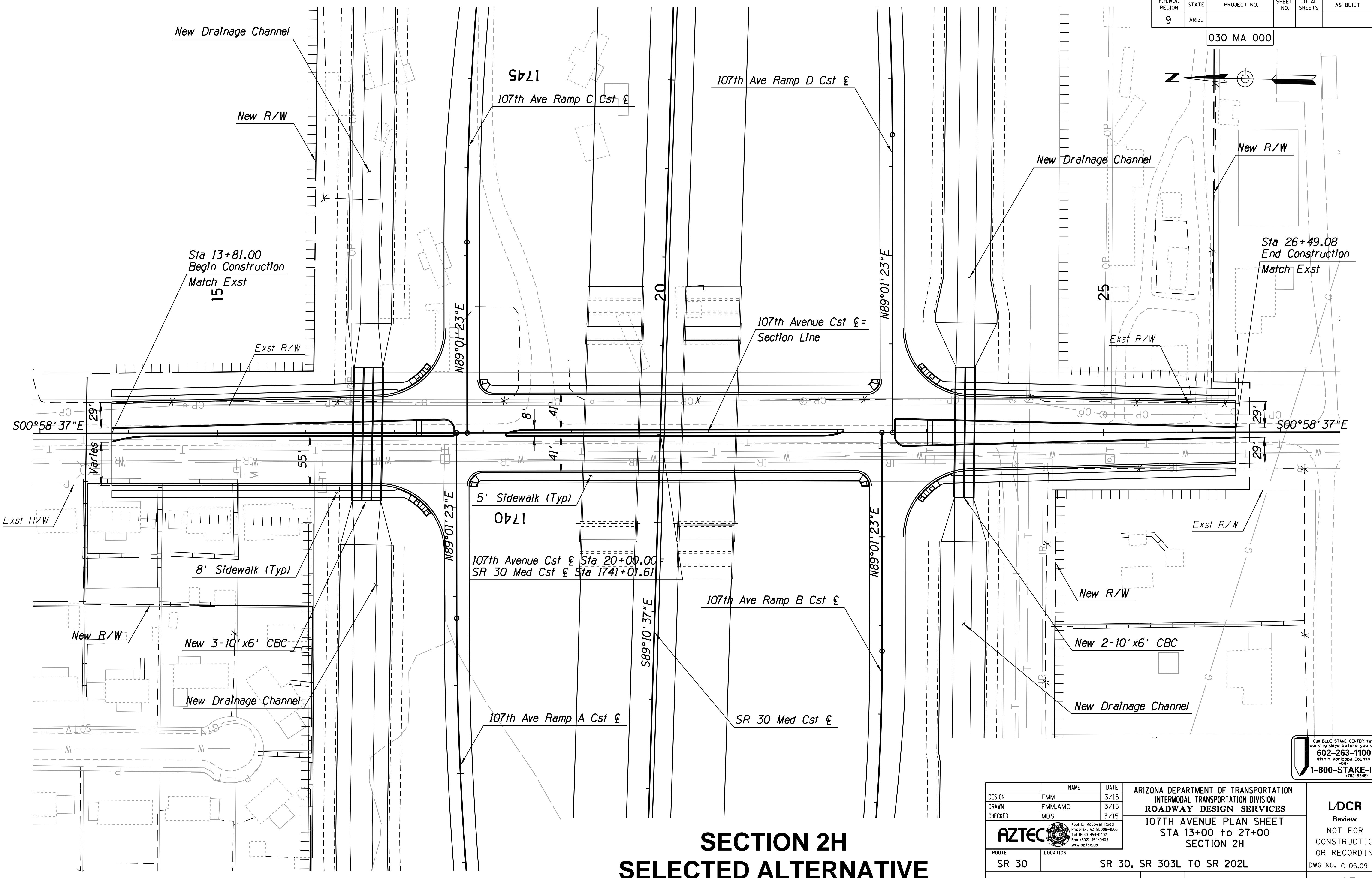
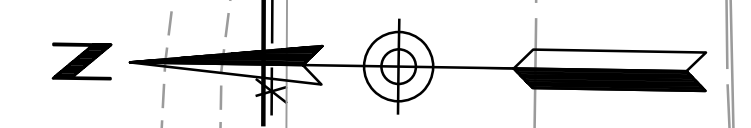
# SECTION 2H SELECTED ALTERNATIVE

DESIGN	FMM	DATE	3/15	ARIZONA DEPARTMENT OF TRANSPORTATION INTERMODAL TRANSPORTATION DIVISION ROADWAY DESIGN SERVICES	<b>L/DCR</b> Review NOT FOR CONSTRUCTION OR RECORDING
DRAWN	FMM, AMC	DATE	3/15		
CHECKED	MDS	DATE	3/15		
				AVONDALE BLVD. PROFILE SHEET STA 13+00 TO 27+00 SECTION 2H	
ROUTE	SR 30	LOCATION	SR 30, SR 303L TO SR 202L		
TRACS NO.	H6876 OIL				DWG NO. C-06.08

SURVEY NO. FINISHED PLANS DATE REVISIONS LOCATION DATE FINISHED PLANS SURVEY NO. REVISIONS LOCATION DATE

F.H.W.A. REGION	STATE	PROJECT NO.	SHEET NO.	TOTAL SHEETS	AS BUILT
9	ARIZ.				

030 MA 000



## SECTION 2H SELECTED ALTERNATIVE

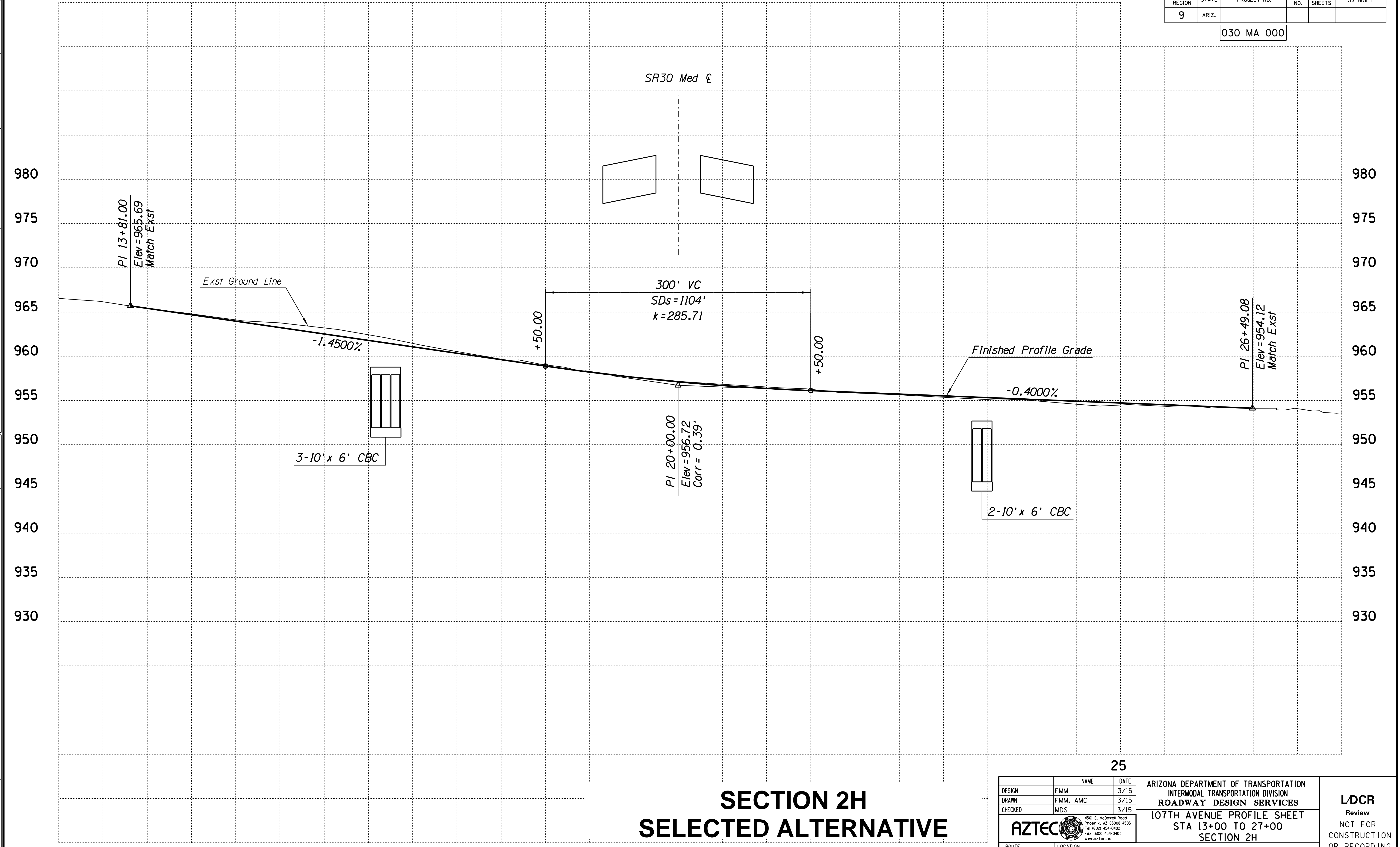
DESIGN	FMM	DATE	3/15	ARIZONA DEPARTMENT OF TRANSPORTATION INTERMODAL TRANSPORTATION DIVISION <b>ROADWAY DESIGN SERVICES</b> 107TH AVENUE PLAN SHEET STA 13+00 TO 27+00 SECTION 2H	<b>L/DCR</b> Review NOT FOR CONSTRUCTION OR RECORDING
DRAWN	FMM,AMC	3/15			
CHECKED	MDS	3/15			
<b>AZTEC</b>		<small>4561 E. McDowell Road          Phoenix, AZ 85008-6505          Tel: 602-454-0402          Fax: 602-454-0403          www.aztec.us</small>		<small>CALL BLUE STAKE CENTER two          working days before you dig.  <b>602-263-1100</b>          Within Maricopa County          OR  <b>1-800-STAKE-IT</b>          (782-5348)</small>	
ROUTE	SR 30	LOCATION	SR 30, SR 303L TO SR 202L	DWG NO. C-06.09	
TRACS NO.	H6876 OIL				

SURVEY NO. FINISHED PLANS DATE LOCATION REVISIONS FINISHED PLANS DATE SURVEY NO. FINISHED PLANS DATE LOCATION REVISIONS FINISHED PLANS DATE SURVEY NO.



F.H.W.A. REGION	STATE	PROJECT NO.	SHEET NO.	TOTAL SHEETS	AS BUILT
9	ARIZ.				

030 MA 000



## SECTION 2H SELECTED ALTERNATIVE

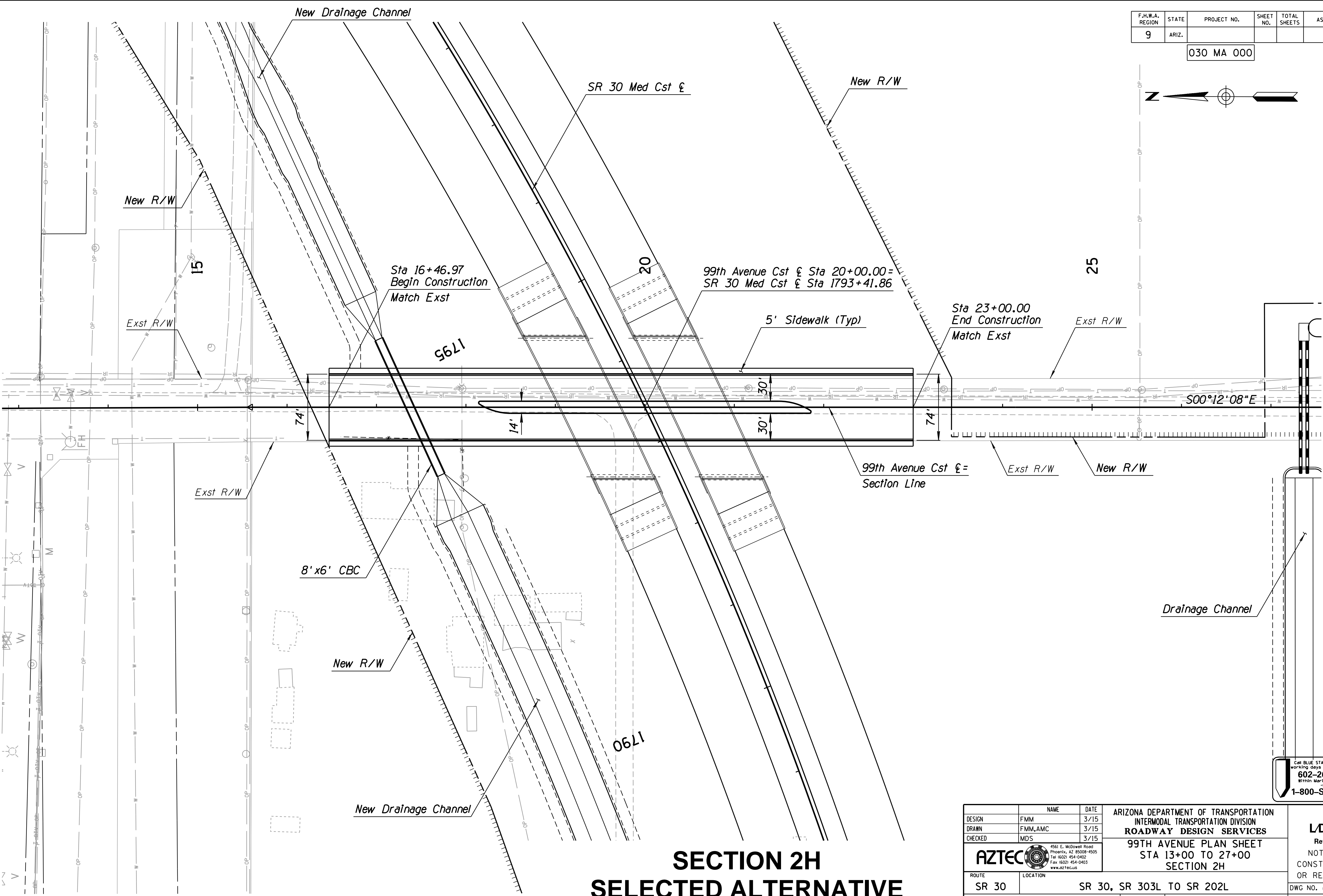
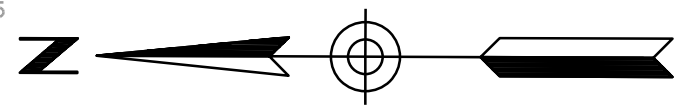
25

DESIGN	FMM	DATE	3/15	ARIZONA DEPARTMENT OF TRANSPORTATION INTERMODAL TRANSPORTATION DIVISION <b>ROADWAY DESIGN SERVICES</b> 107TH AVENUE PROFILE SHEET STA 13+00 TO 27+00 SECTION 2H	<b>L/DCR</b> Review NOT FOR CONSTRUCTION OR RECORDING
DRAWN	FMM, AMC	3/15			
CHECKED	MDS	3/15			
ROUTE		SR 30		SR 30, SR 303L TO SR 202L TRACS NO. H6876 OIL	
LOCATION		SR 30, SR 303L TO SR 202L			

SURVEY NO. FINISHED PLANS DATE REVISIONS LOCATION DATE FINISHED PLANS SURVEY NO. REVISIONS DATE

F.H.W.A. REGION	STATE	PROJECT NO.	SHEET NO.	TOTAL SHEETS	AS BUILT
9	ARIZ.				

030 MA 000



## SECTION 2H SELECTED ALTERNATIVE

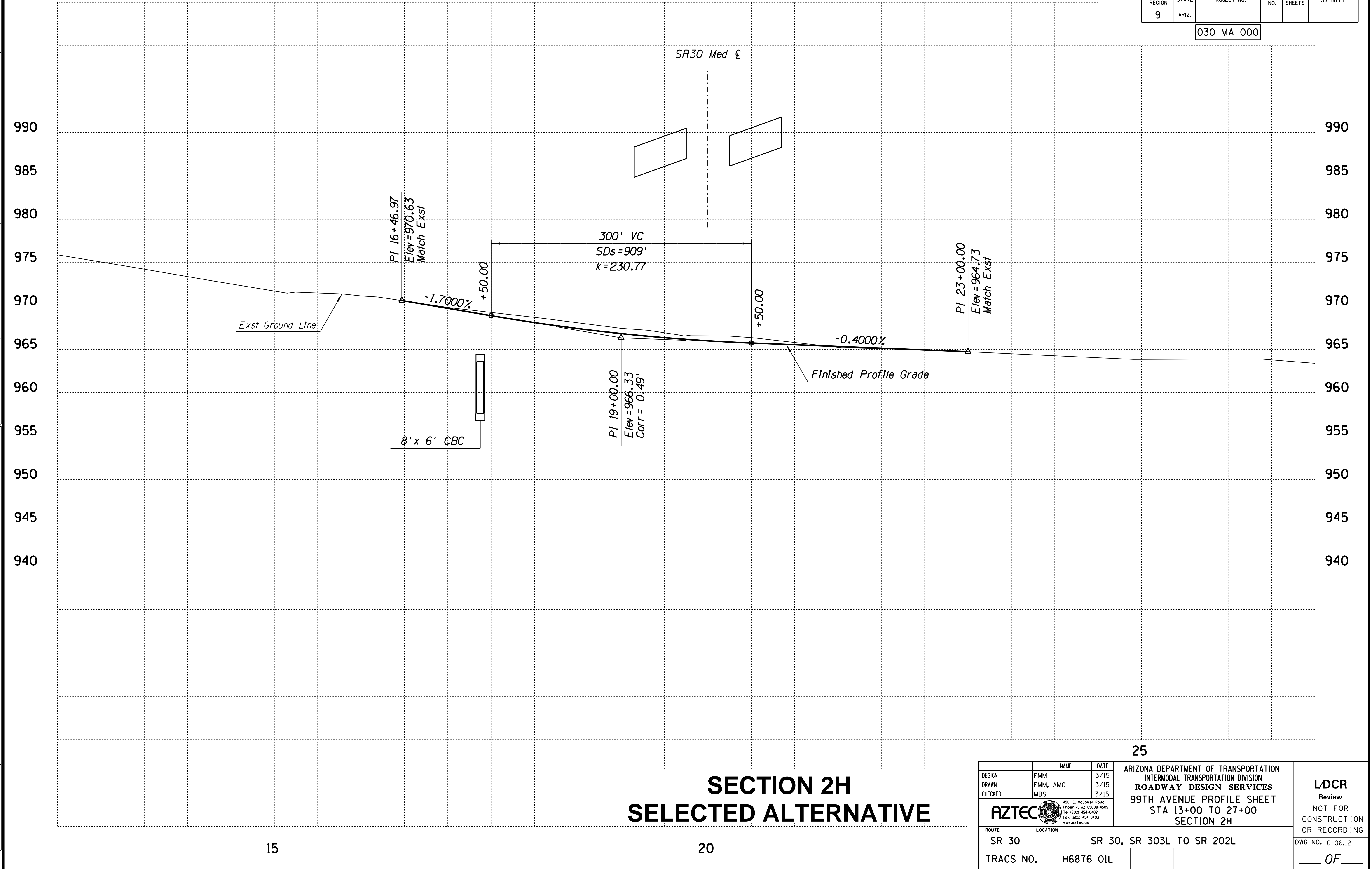
DESIGN	FMM	DATE	3/15	ARIZONA DEPARTMENT OF TRANSPORTATION INTERMODAL TRANSPORTATION DIVISION <b>ROADWAY DESIGN SERVICES</b> 99TH AVENUE PLAN SHEET STA 13+00 TO 27+00 SECTION 2H	<b>L/DCR</b> Review NOT FOR CONSTRUCTION OR RECORDING
DRAWN	FMM,AMC	3/15			
CHECKED	MDS	3/15			
ROUTE		LOCATION		SR 30, SR 303L TO SR 202L DWG NO. C-06.11	
SR 30		SR 30, SR 303L TO SR 202L			
TRACS NO.		H6876 OIL		OF	

CALL BLUE STAKE CENTER two working days before you dig.  
**602-263-1100**  
 Within Maricopa County  
 OR  
**1-800-STAKE-IT**  
 (782-5348)

SURVEY NO. FINISHED PLANS DATE REVISIONS LOCATION DATE FINISHED PLANS SURVEY NO. REVISIONS LOCATION DATE

F.H.W.A. REGION	STATE	PROJECT NO.	SHEET NO.	TOTAL SHEETS	AS BUILT
9	ARIZ.				

030 MA 000



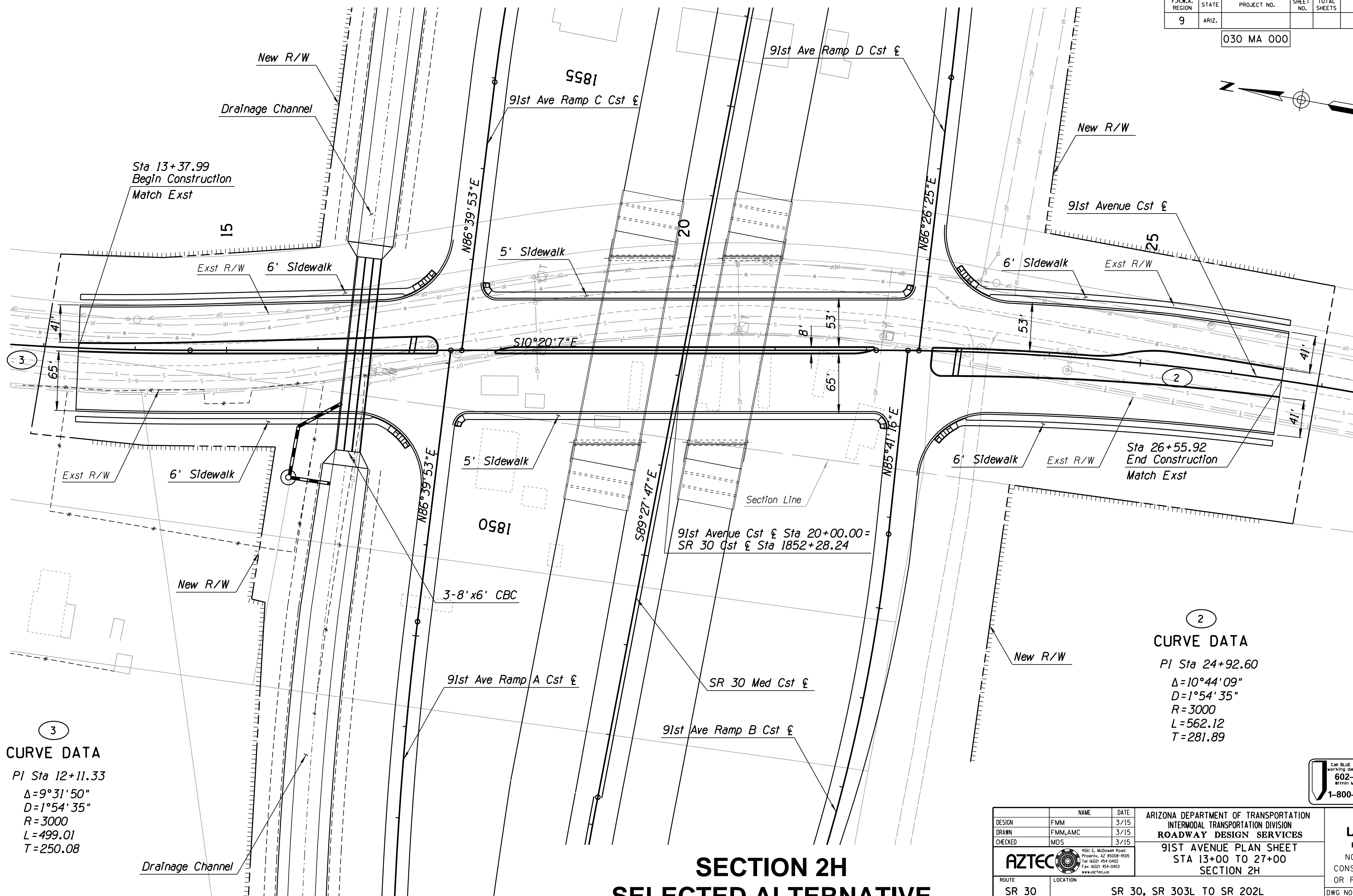
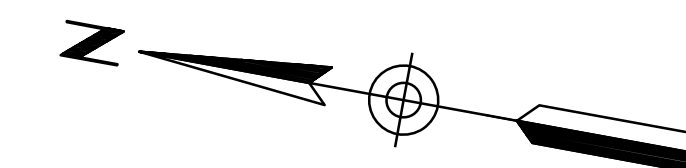
## SECTION 2H SELECTED ALTERNATIVE

DESIGN		FMM	3/15	ARIZONA DEPARTMENT OF TRANSPORTATION INTERMODAL TRANSPORTATION DIVISION <b>ROADWAY DESIGN SERVICES</b> 99TH AVENUE PROFILE SHEET STA 13+00 TO 27+00 SECTION 2H	<b>L/DCR</b> Review NOT FOR CONSTRUCTION OR RECORDING
DRAWN		FMM, AMC	3/15		
CHECKED		MDS	3/15		
ROUTE		SR 30, SR 303L TO SR 202L			DWG NO. C-06.12
TRACS NO.		H6876 OIL			OF

SURVEY NO. FINISHED PLANS. DATE. LOCATION. REVISIONS. FINISHED PLANS. DATE. SURVEY NO. FINISHED PLANS. DATE. LOCATION. REVISIONS. FINISHED PLANS. DATE. SURVEY NO.

F.H.W.A. REGION	STATE	PROJECT NO.	SHEET NO.	TOTAL SHEETS	AS BUILT
9	ARIZ.				

030 MA 000



**3**  
**CURVE DATA**  
 PI Sta 12+11.33  
 $\Delta = 9^\circ 31' 50''$   
 $D = 1^\circ 54' 35''$   
 $R = 3000$   
 $L = 499.01$   
 $T = 250.08$

**2**  
**CURVE DATA**  
 PI Sta 24+92.60  
 $\Delta = 10^\circ 44' 09''$   
 $D = 1^\circ 54' 35''$   
 $R = 3000$   
 $L = 562.12$   
 $T = 281.89$

## SECTION 2H SELECTED ALTERNATIVE

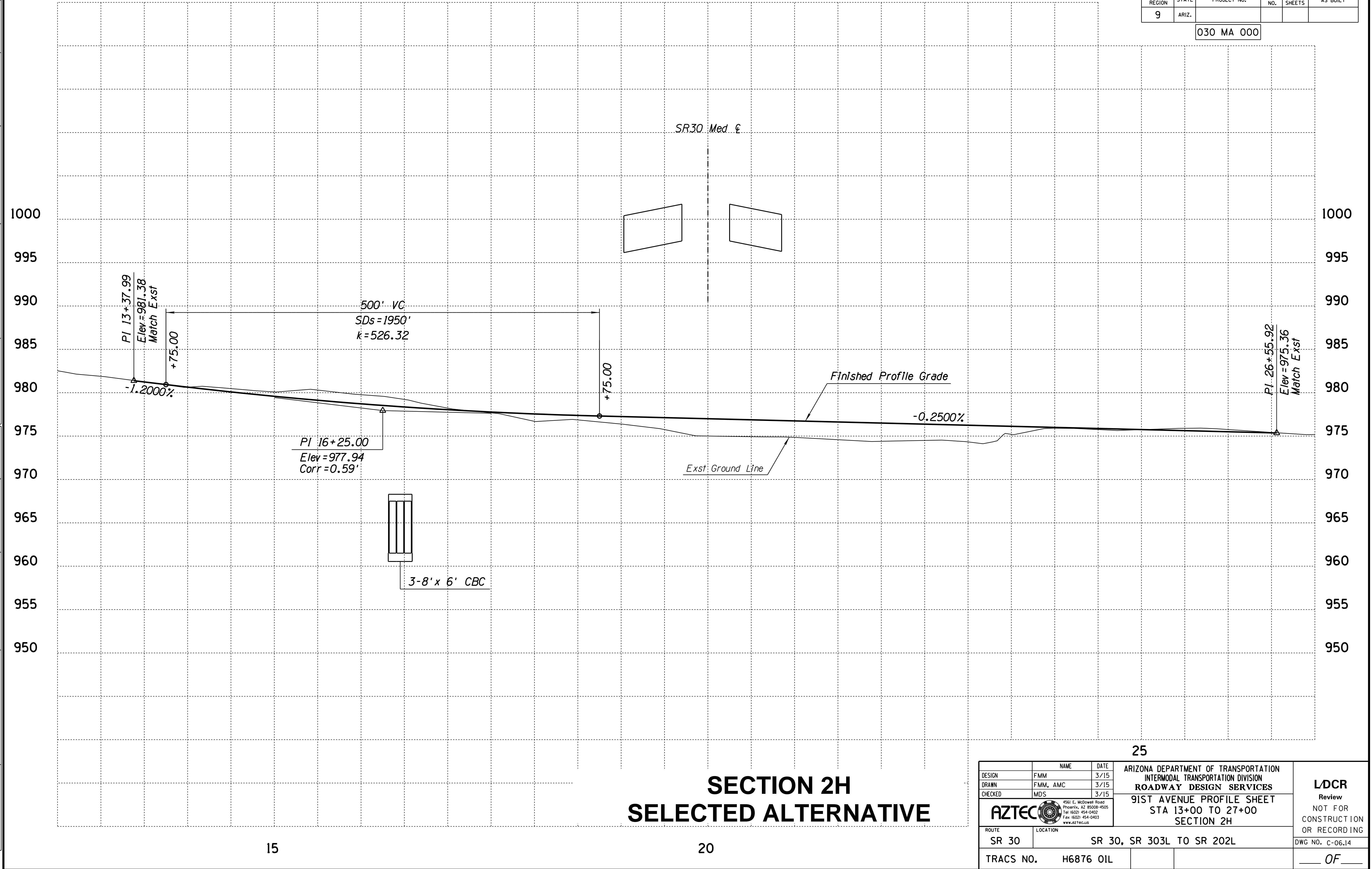
DESIGN	FMM	DATE	3/15	ARIZONA DEPARTMENT OF TRANSPORTATION INTERMODAL TRANSPORTATION DIVISION <b>ROADWAY DESIGN SERVICES</b> 91ST AVENUE PLAN SHEET STA 13+00 TO 27+00 SECTION 2H	<b>L/DCR</b> Review NOT FOR CONSTRUCTION OR RECORDING DWG NO. C-06.13 OF
DRAWN	FMM,AMC	DATE	3/15		
CHECKED	MDS	DATE	3/15		
ROUTE		LOCATION			
SR 30		SR 30, SR 303L TO SR 202L			
TRACS NO.		H6876 OIL			

CALL BLUE STAKE CENTER TWO  
 WORKING DAYS BEFORE YOU DIG.  
**602-263-1100**  
 Within Maricopa County  
 OR  
**1-800-STAKE-IT**  
 (782-5348)

SURVEY NO. FINISHED PLANS. DATE. LOCATION. REVISIONS. FINISHED PLANS. DATE. SURVEY NO.

F.H.W.A. REGION	STATE	PROJECT NO.	SHEET NO.	TOTAL SHEETS	AS BUILT
9	ARIZ.				

030 MA 000

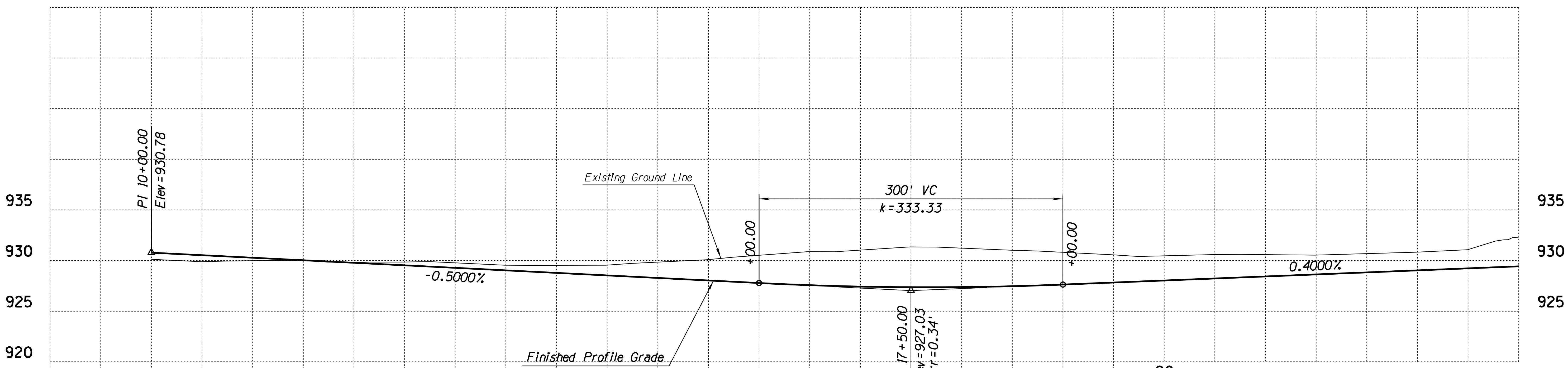
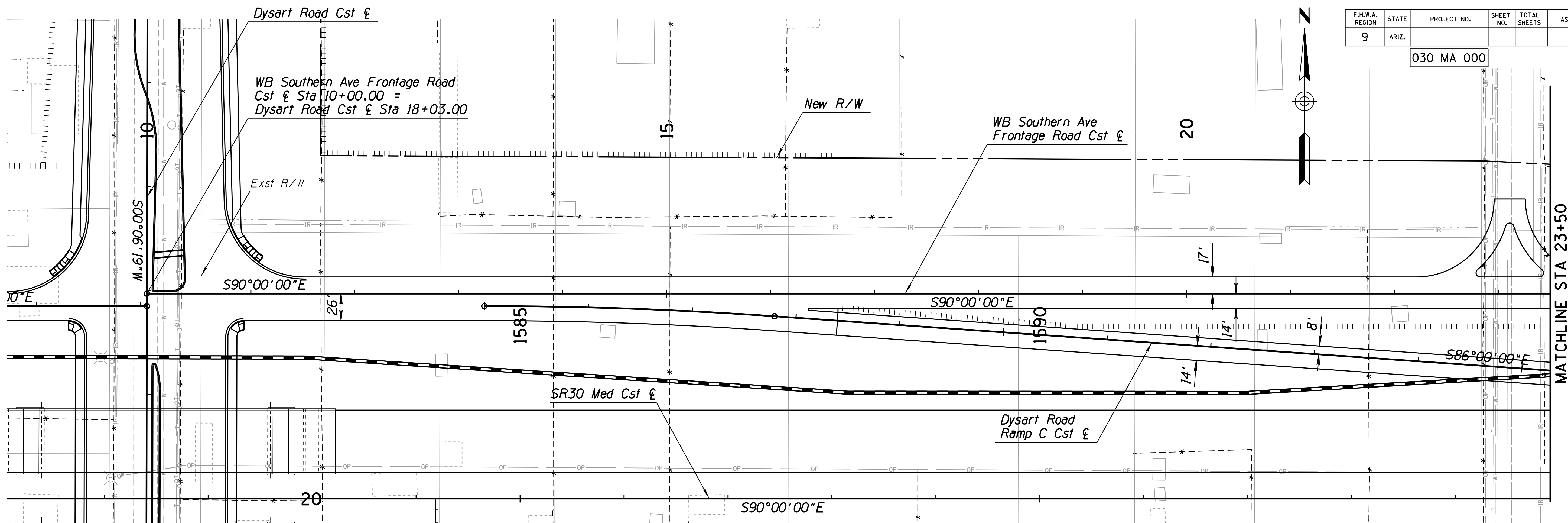


# SECTION 2H SELECTED ALTERNATIVE

DESIGN	FMM	DATE	3/15	ARIZONA DEPARTMENT OF TRANSPORTATION INTERMODAL TRANSPORTATION DIVISION <b>ROADWAY DESIGN SERVICES</b> 91ST AVENUE PROFILE SHEET STA 13+00 TO 27+00 SECTION 2H	<b>L/DCR</b> Review NOT FOR CONSTRUCTION OR RECORDING
DRAWN	FMM, AMC	3/15			
CHECKED	MDS	3/15			
ROUTE		SR 30		SR 30, SR 303L TO SR 202L	
TRACS NO.		H6876 OIL		DWG NO. C-06.14	

F.H.W.A. REGION	STATE	PROJECT NO.	SHEET NO.	TOTAL SHEETS	AS BUILT
9	ARIZ.				

030 MA 000

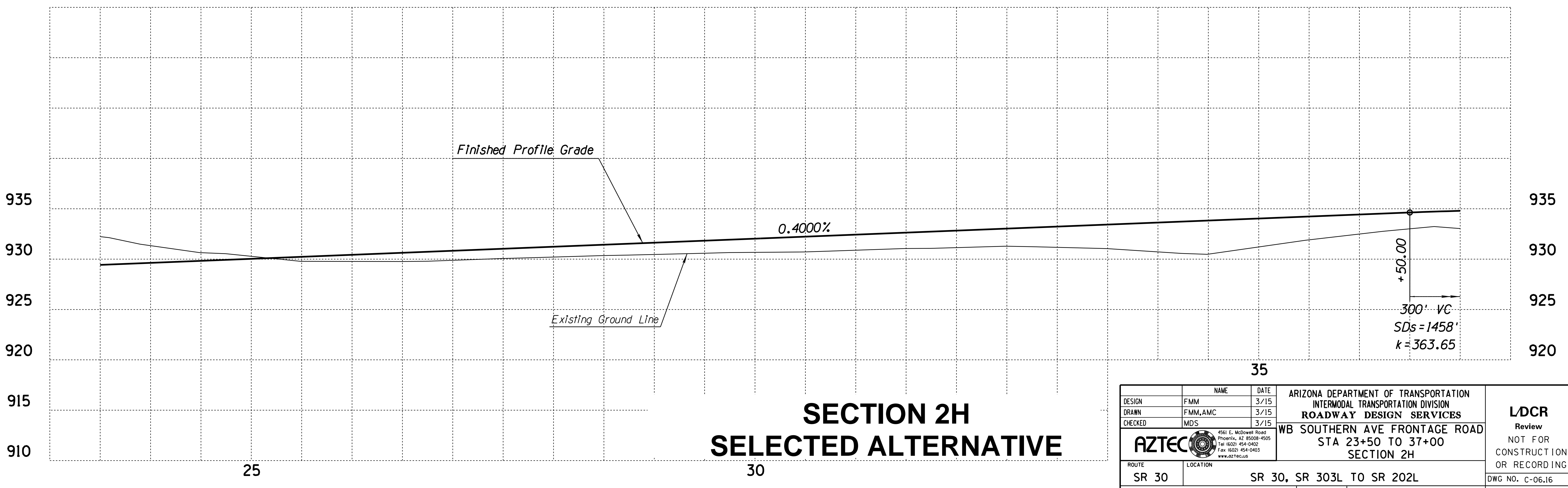
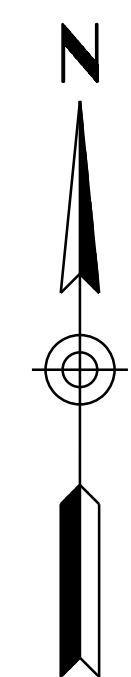
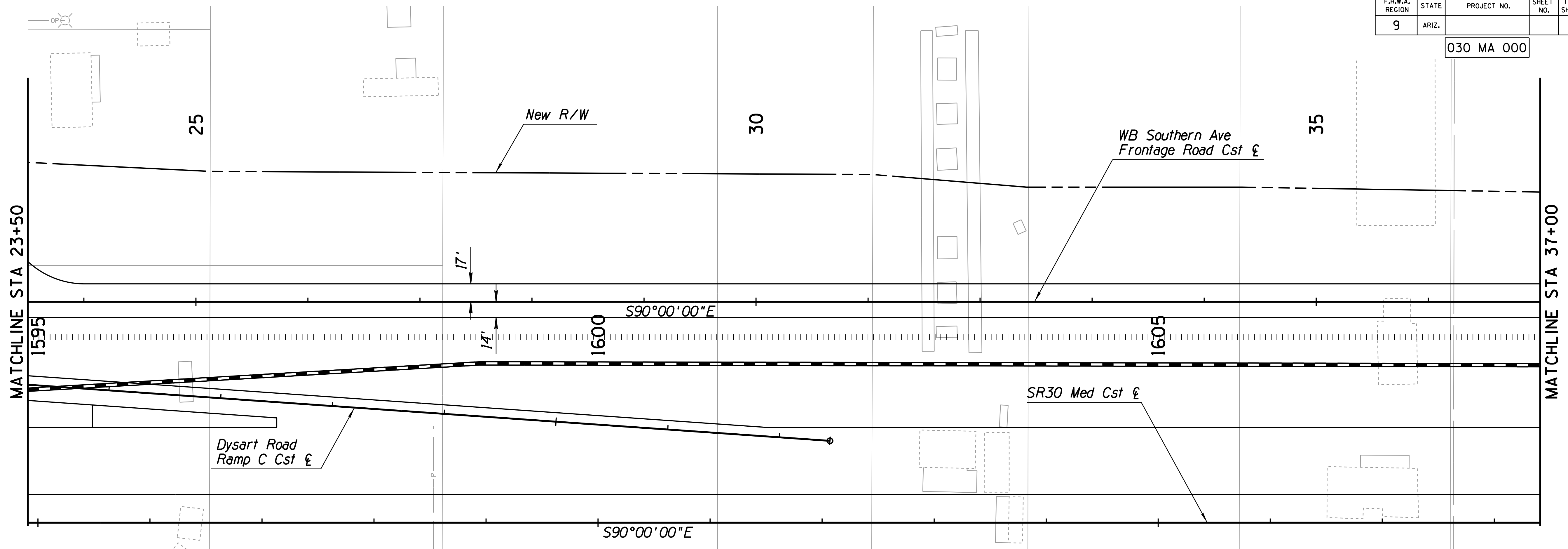


## SECTION 2H SELECTED ALTERNATIVE

DESIGN	FMM	DATE	3/15	ARIZONA DEPARTMENT OF TRANSPORTATION INTERMODAL TRANSPORTATION DIVISION ROADWAY DESIGN SERVICES	<b>L/DCR</b> Review NOT FOR CONSTRUCTION OR RECORDING
DRAWN	FMM,AMC	DATE	3/15		
CHECKED	MDS	DATE	3/15		
<b>AZTEC</b>				WB SOUTHERN AVE FRONTAGE ROAD STA 9+00 TO 23+50 SECTION 2H	
ROUTE	SR 30	LOCATION	SR 30, SR 303L TO SR 202L	DWG NO. C-06.15	
TRACS NO.	H6876 OIL			OF	

F.H.W.A. REGION	STATE	PROJECT NO.	SHEET NO.	TOTAL SHEETS	AS BUILT
9	ARIZ.				

030 MA 000



## SECTION 2H SELECTED ALTERNATIVE

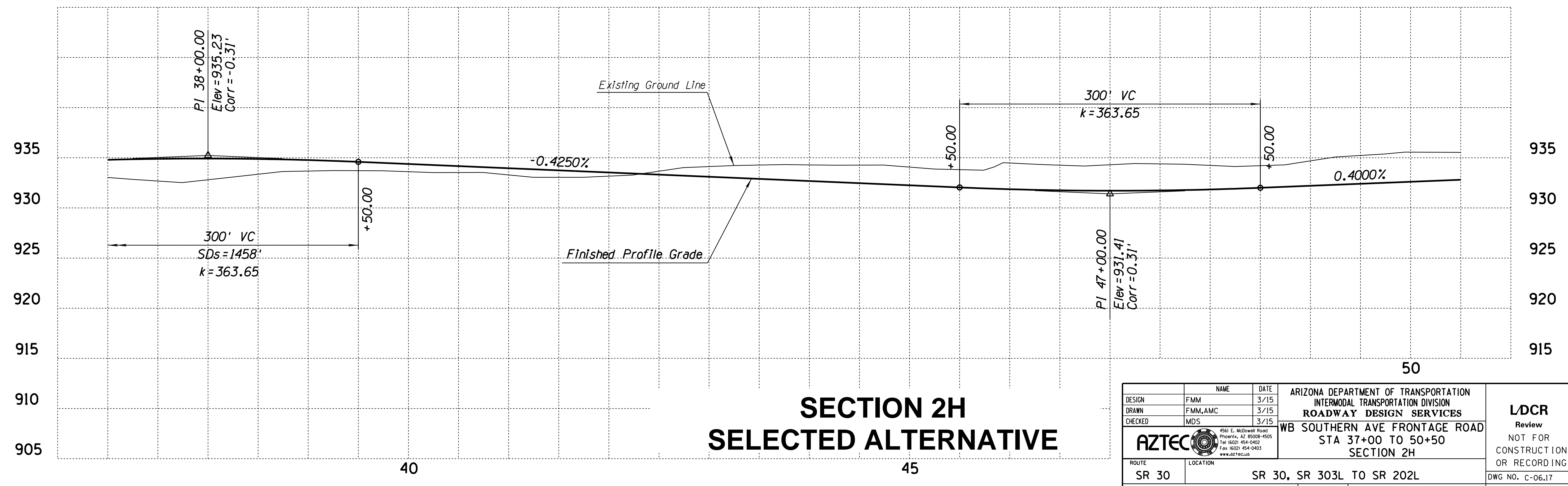
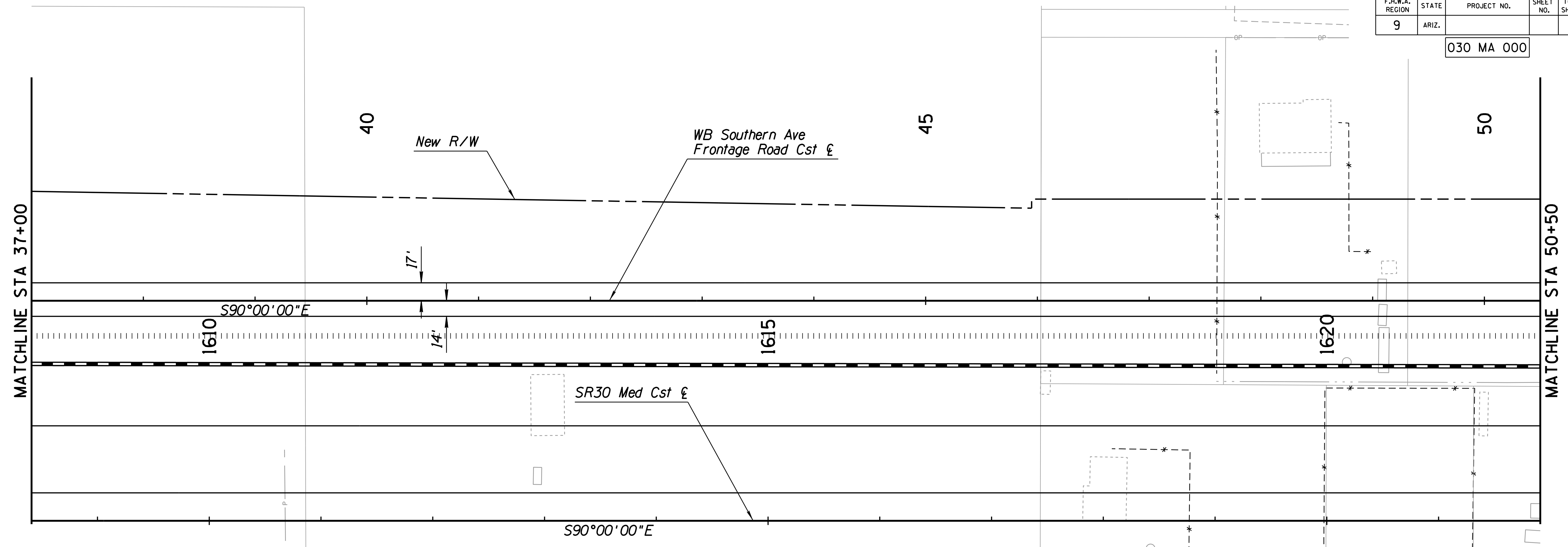
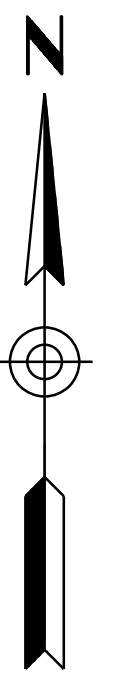
DESIGN	FMM	DATE	3/15	ARIZONA DEPARTMENT OF TRANSPORTATION INTERMODAL TRANSPORTATION DIVISION <b>ROADWAY DESIGN SERVICES</b> WB SOUTHERN AVE FRONTAGE ROAD STA 23+50 TO 37+00 SECTION 2H	<b>L/DCR</b> Review NOT FOR CONSTRUCTION OR RECORDING
DRAWN	FMM,AMC	3/15			
CHECKED	MDS	3/15			
		<small>4561 E. McDowell Road          Phoenix, AZ 85008-4505          Tel: 602-454-0402          Fax: 602-454-0403          www.aztec.us</small>		ROUTE: SR 30      LOCATION: SR 30, SR 303L TO SR 202L TRACS NO.      H6876 OIL	
DWG NO. C-06.16 <i>OF</i>					

SURVEY NO.      FINISHED PLANS      DATE      LOCATION      REVISIONS      DATE      FINISHED PLANS      SURVEY NO.      FINISHED PLANS      DATE      LOCATION      REVISIONS      DATE

ADOT - SUBDUE - I - TBL

F.H.W.A. REGION	STATE	PROJECT NO.	SHEET NO.	TOTAL SHEETS	AS BUILT
9	ARIZ.				

030 MA 000



## SECTION 2H SELECTED ALTERNATIVE

DESIGN	FMM	DATE	3/15	ARIZONA DEPARTMENT OF TRANSPORTATION INTERMODAL TRANSPORTATION DIVISION <b>ROADWAY DESIGN SERVICES</b>	<b>L/DCR</b> Review NOT FOR CONSTRUCTION OR RECORDING
DRAWN	FMM,AMC	DATE	3/15		
CHECKED	MDS	DATE	3/15		
<b>AZTEC</b>		4561 E. McDowell Road Phoenix, AZ 85008-6505 Tel: 602-454-0402 Fax: 602-454-0403 www.aztec.us		WB SOUTHERN AVE FRONTAGE ROAD STA 37+00 TO 50+50 SECTION 2H	
ROUTE	SR 30	LOCATION	SR 30, SR 303L TO SR 202L	DWG NO. C-06.17	
TRACS NO.	H6876 OIL			OF	

SURVEY NO. FINISHED PLANS. DATE. LOCATION. REVISIONS. FINISHED PLANS. DATE. LOCATION. REVISIONS. FINISHED PLANS. DATE. LOCATION. REVISIONS.

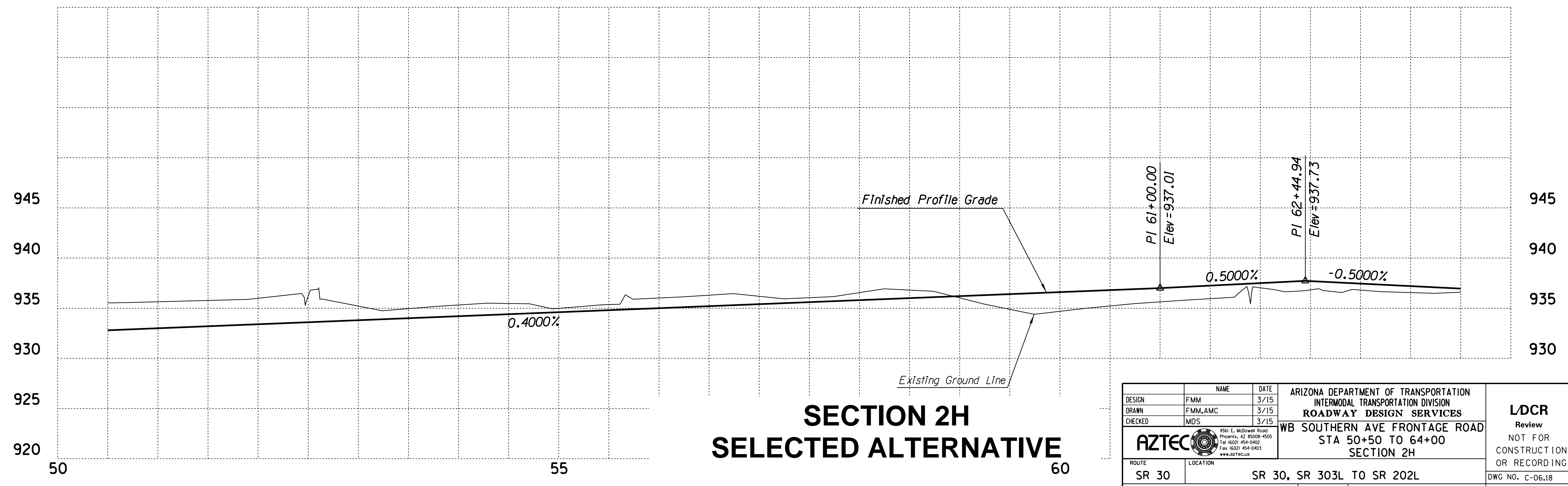
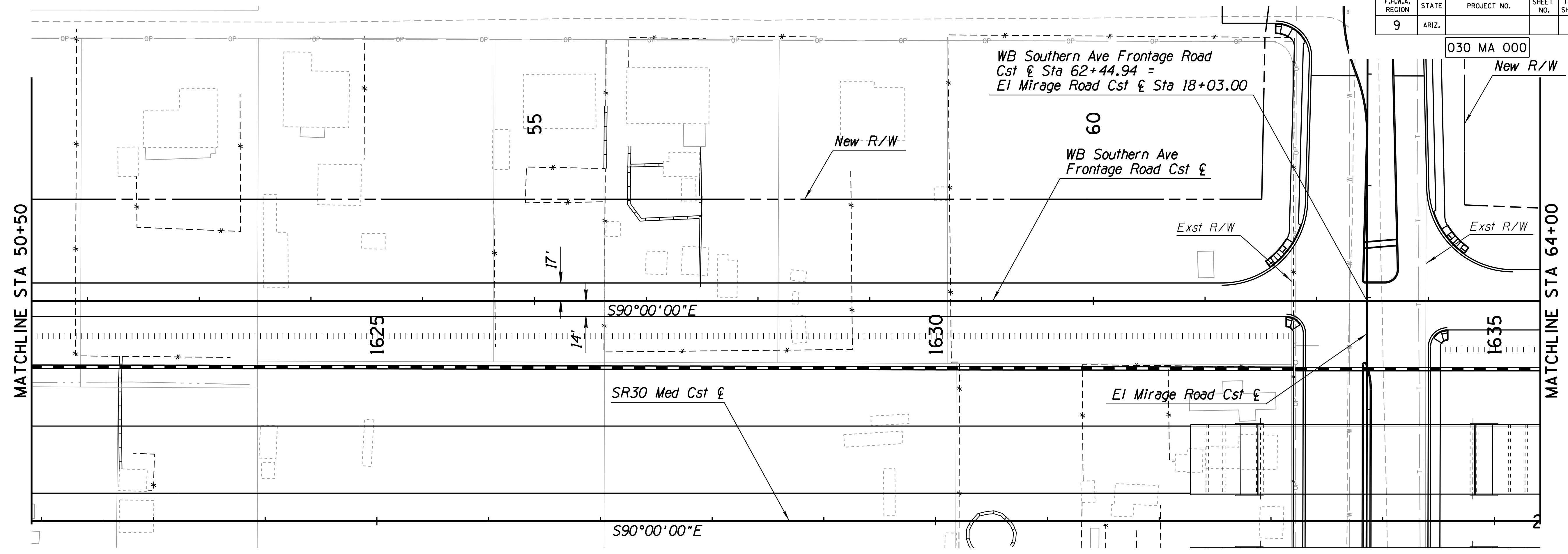
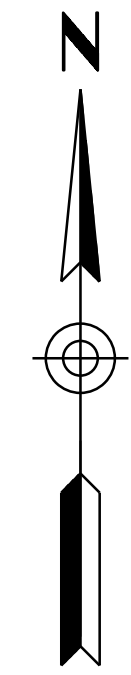


F.H.W.A. REGION	STATE	PROJECT NO.	SHEET NO.	TOTAL SHEETS	AS BUILT
9	ARIZ.				

030 MA 000

New R/W

Exst R/W



## SECTION 2H SELECTED ALTERNATIVE

DESIGN	FMM	DATE	3/15	ARIZONA DEPARTMENT OF TRANSPORTATION INTERMODAL TRANSPORTATION DIVISION <b>ROADWAY DESIGN SERVICES</b> 4561 E. McDowell Road Phoenix, AZ 85008-6505 Tel: 602-494-0402 Fax: 602-494-0403 www.aztec.us	<b>L/DCR</b> Review NOT FOR CONSTRUCTION OR RECORDING
DRAWN	FMM,AMC	3/15			
CHECKED	MDS	3/15			
ROUTE		SR 30		WB SOUTHERN AVE FRONTAGE ROAD STA 50+50 TO 64+00 SECTION 2H	DWG NO. C-06.18
LOCATION		SR 30, SR 303L TO SR 202L			
TRACS NO.		H6876 OIL		OF	

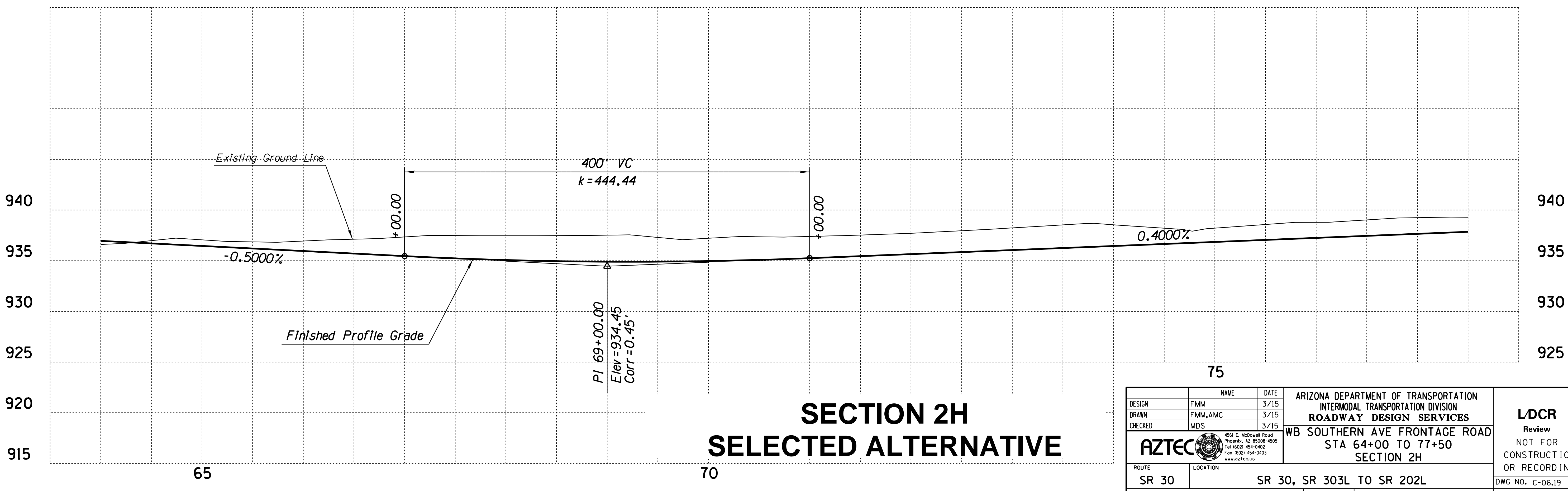
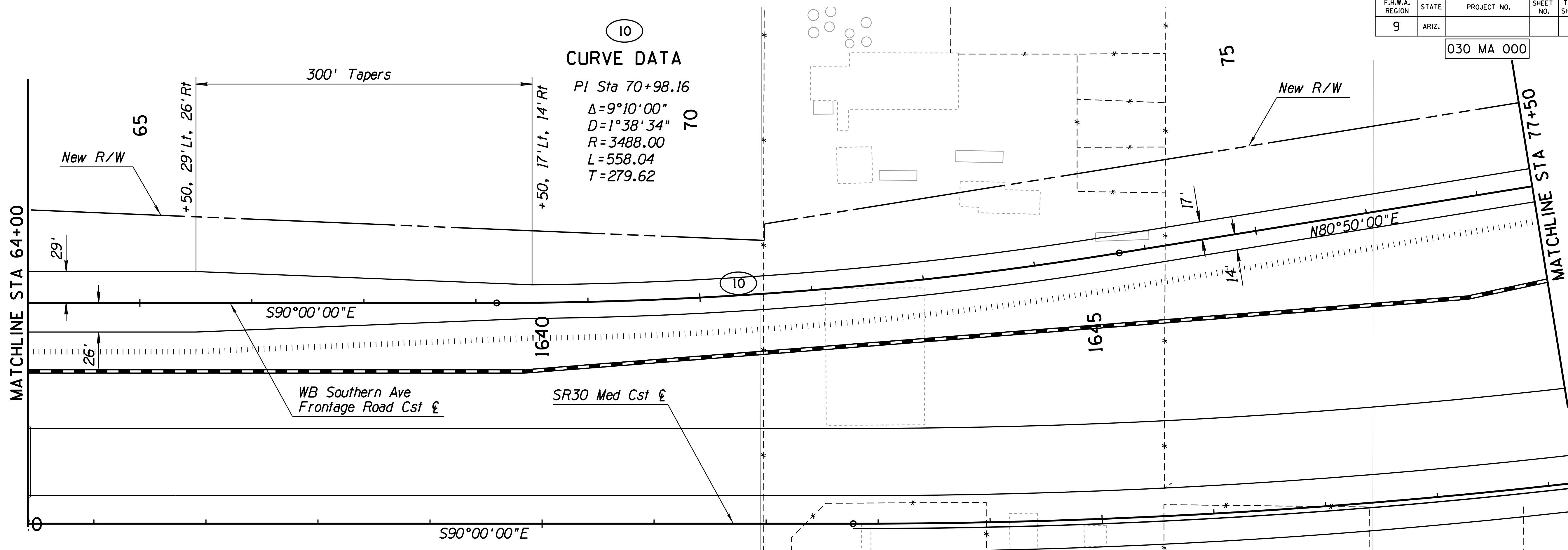
SURVEY NO. FINISHED PLANS REVISIONS LOCATION DATE  
 SURVEY NO. FINISHED PLANS REVISIONS LOCATION DATE  
 SURVEY NO. FINISHED PLANS REVISIONS LOCATION DATE

ADOT - SUBDUE - I - TBL

F.H.W.A. REGION	STATE	PROJECT NO.	SHEET NO.	TOTAL SHEETS	AS BUILT
9	ARIZ.				

030 MA 000

**CURVE DATA**  
 PI Sta 70+98.16  
 $\Delta = 9^{\circ}10'00''$   
 $D = 1^{\circ}38'34''$   
 $R = 3488.00$   
 $L = 558.04$   
 $T = 279.62$



**SECTION 2H  
 SELECTED ALTERNATIVE**

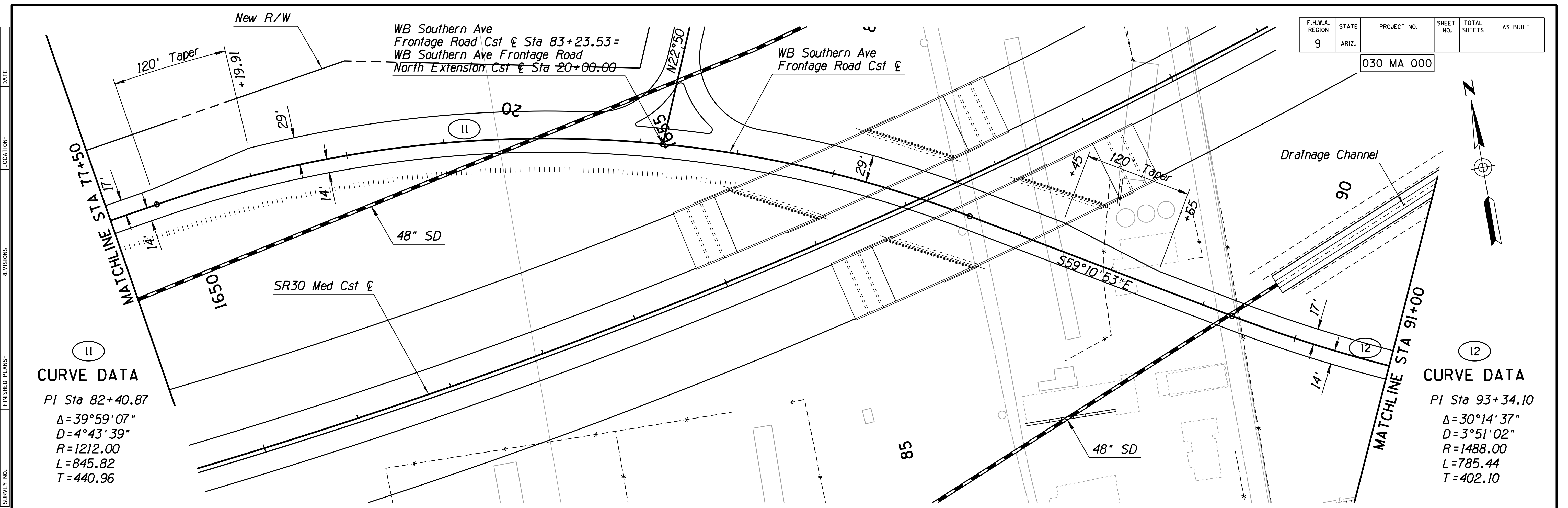
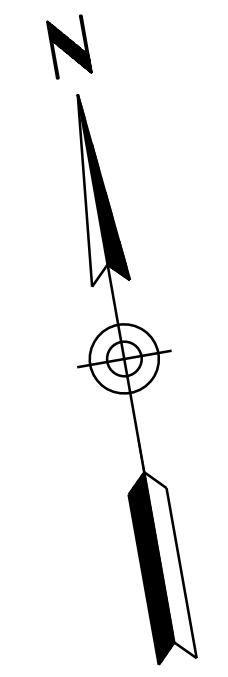
ROUTE		LOCATION		ARIZONA DEPARTMENT OF TRANSPORTATION INTERMODAL TRANSPORTATION DIVISION <b>ROADWAY DESIGN SERVICES</b> WB SOUTHERN AVE FRONTAGE ROAD STA 64+00 TO 77+50 SECTION 2H	<b>L/DCR</b> Review NOT FOR CONSTRUCTION OR RECORDING DWG NO. C-06.19 OF
SR 30		SR 30, SR 303L TO SR 202L			
TRACS NO.		H6876 OIL			

SURVEY NO. FINISHED PLANS DATE REVISIONS LOCATION DATE FINISHED PLANS SURVEY NO. DATE REVISIONS LOCATION DATE

ADOT - SUBDUE - I.TBL

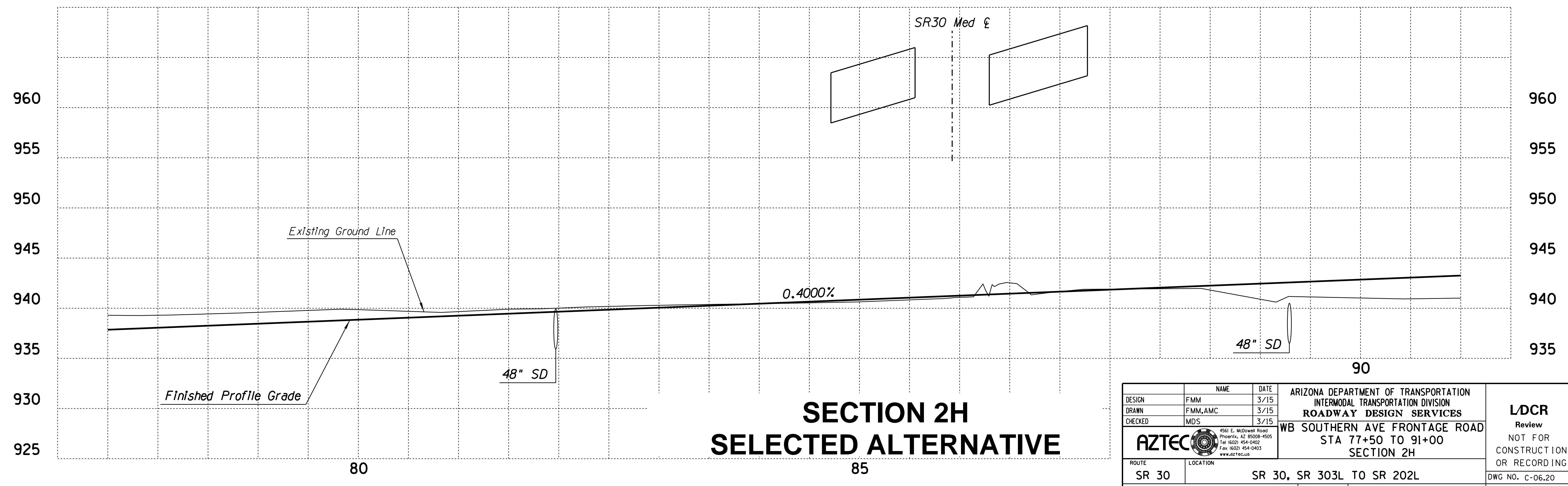
F.H.W.A. REGION	STATE	PROJECT NO.	SHEET NO.	TOTAL SHEETS	AS BUILT
9	ARIZ.				

030 MA 000



**11 CURVE DATA**  
 PI Sta 82+40.87  
 $\Delta = 39^\circ 59' 07''$   
 $D = 4^\circ 43' 39''$   
 $R = 1212.00$   
 $L = 845.82$   
 $T = 440.96$

**12 CURVE DATA**  
 PI Sta 93+34.10  
 $\Delta = 30^\circ 14' 37''$   
 $D = 3^\circ 51' 02''$   
 $R = 1488.00$   
 $L = 785.44$   
 $T = 402.10$



## SECTION 2H SELECTED ALTERNATIVE

DESIGN	FMM	DATE	3/15	ARIZONA DEPARTMENT OF TRANSPORTATION INTERMODAL TRANSPORTATION DIVISION <b>ROADWAY DESIGN SERVICES</b> 4561 E. McDowell Road Phoenix, AZ 85008-6505 Tel: (602) 454-1000 Fax: (602) 454-9403 www.aztec.us	<b>L/DCR</b> Review NOT FOR CONSTRUCTION OR RECORDING
DRAWN	FMM,AMC	3/15			
CHECKED	MDS	3/15			
ROUTE		SR 30		WB SOUTHERN AVE FRONTAGE ROAD STA 77+50 TO 91+00 SECTION 2H	DWG NO. C-06.20
LOCATION		SR 30, SR 303L TO SR 202L			
TRACS NO.		H6876 OIL		OF	

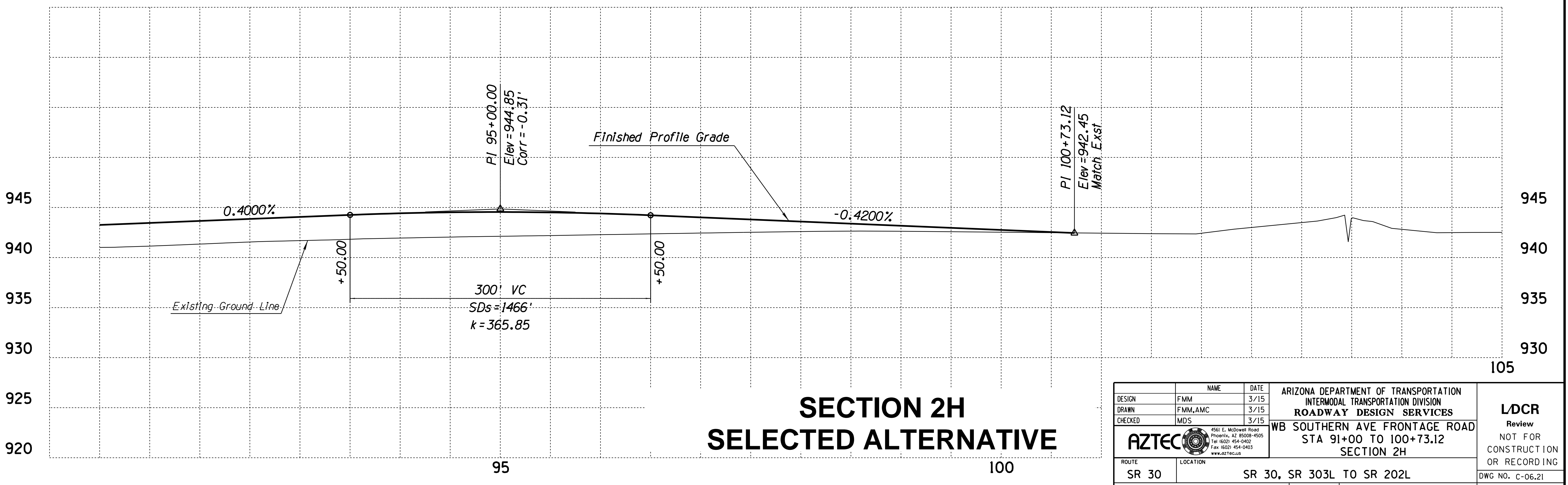
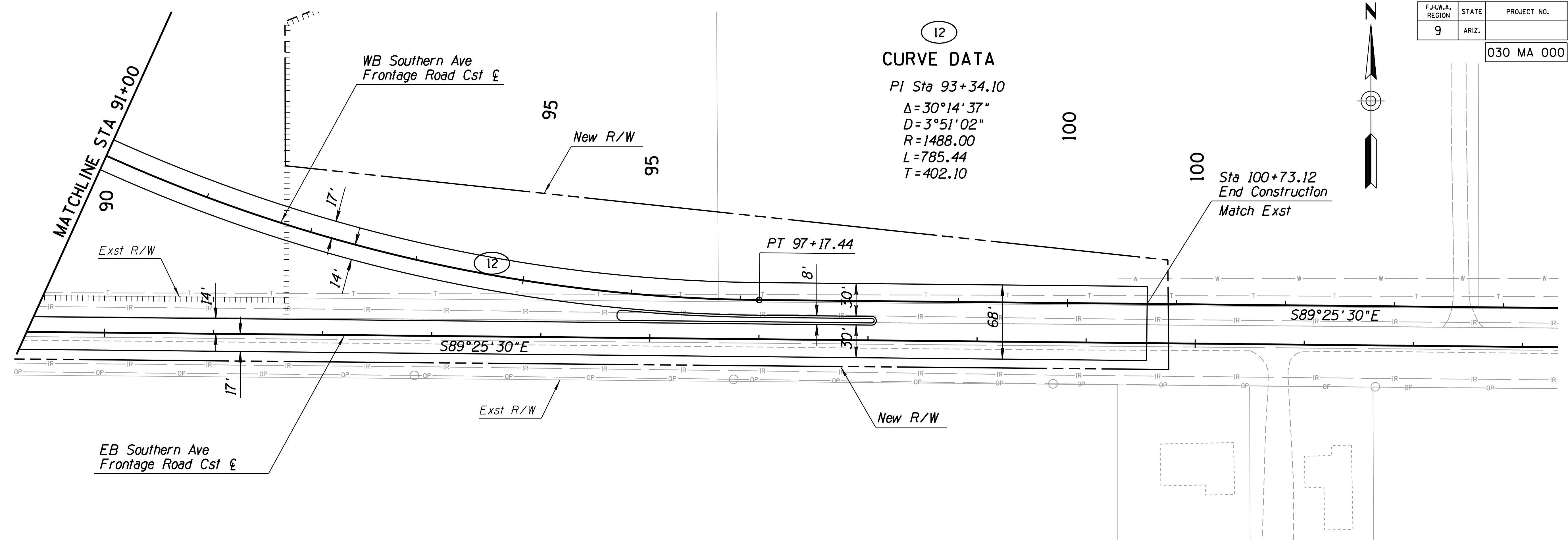
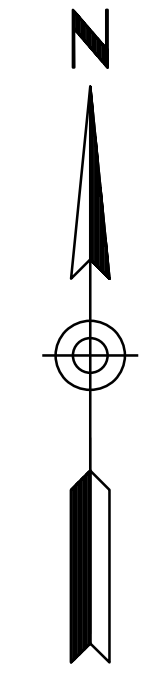
SURVEY NO. FINISHED PLANS DATE LOCATION REVISIONS DATE LOCATION REVISIONS DATE LOCATION REVISIONS

ADOT - SUBDUE - I - TBL

F.H.W.A. REGION	STATE	PROJECT NO.	SHEET NO.	TOTAL SHEETS	AS BUILT
9	ARIZ.				

030 MA 000

**CURVE DATA**  
 PI Sta 93+34.10  
 $\Delta = 30^\circ 14' 37''$   
 $D = 3^\circ 51' 02''$   
 $R = 1488.00$   
 $L = 785.44$   
 $T = 402.10$



## SECTION 2H SELECTED ALTERNATIVE

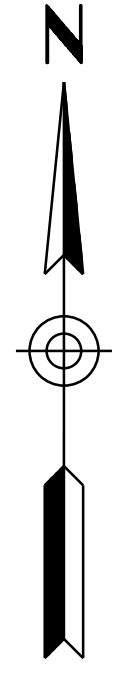
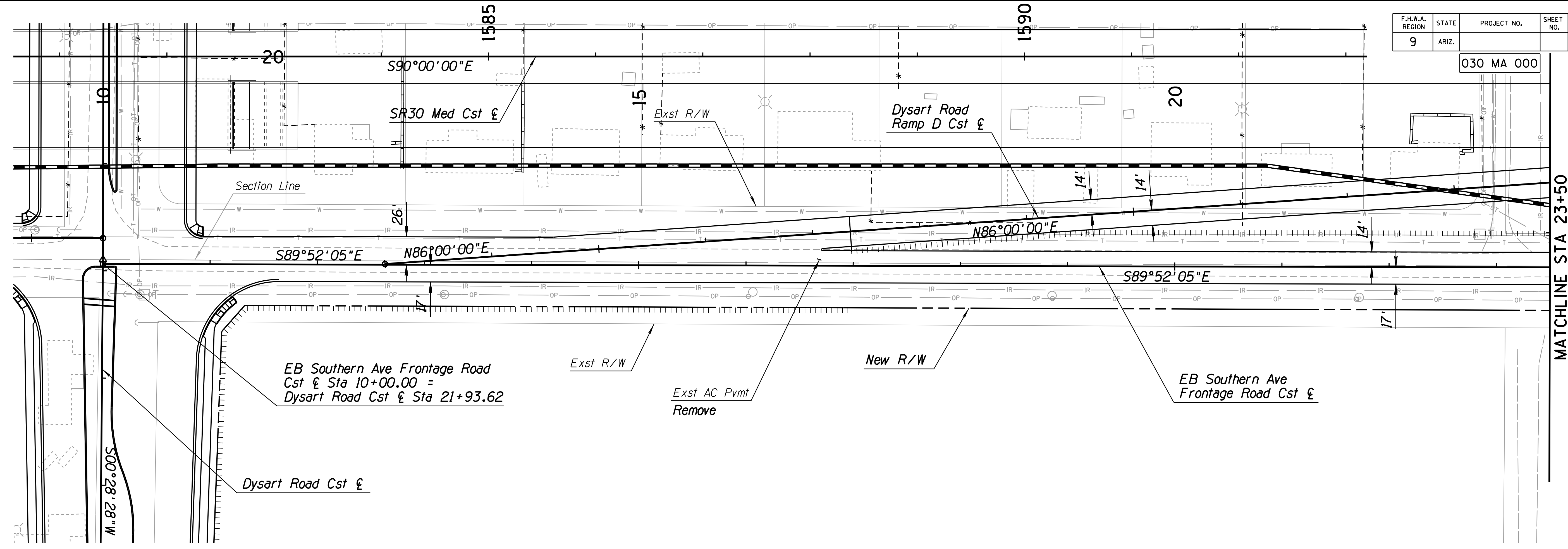
DESIGN	FMM	DATE	3/15	ARIZONA DEPARTMENT OF TRANSPORTATION INTERMODAL TRANSPORTATION DIVISION <b>ROADWAY DESIGN SERVICES</b> 4561 E. McDowell Road Phoenix, AZ 85008-4505 Tel: (602) 454-5402 Fax: (602) 454-5403 www.aztec.us	<b>L/DCR</b> Review NOT FOR CONSTRUCTION OR RECORDING
DRAWN	FMM,AMC	3/15			
CHECKED	MDS	3/15			
ROUTE		SR 30		WB SOUTHERN AVE FRONTAGE ROAD STA 91+00 TO 100+73.12 SECTION 2H	
LOCATION		SR 30, SR 303L TO SR 202L		DWG NO. C-06.21	
TRACS NO.		H6876 OIL		OF	

SURVEY NO. FINISHED PLANS DATE LOCATION REVISIONS FINISHED PLANS DATE LOCATION REVISIONS DATE

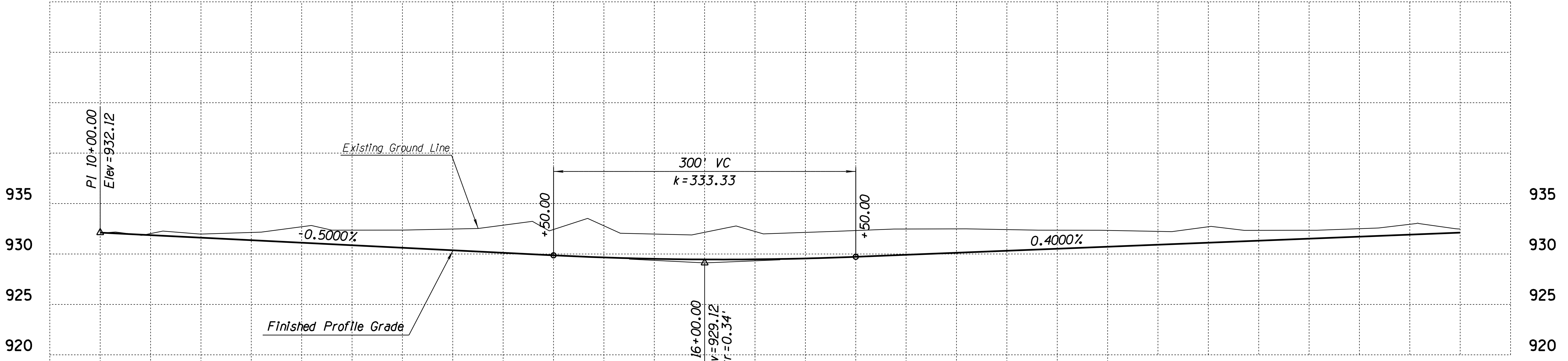
ADOT - SUBDUE - I - TBL

F.H.W.A. REGION	STATE	PROJECT NO.	SHEET NO.	TOTAL SHEETS	AS BUILT
9	ARIZ.				

030 MA 000



MATCHLINE STA 23+50

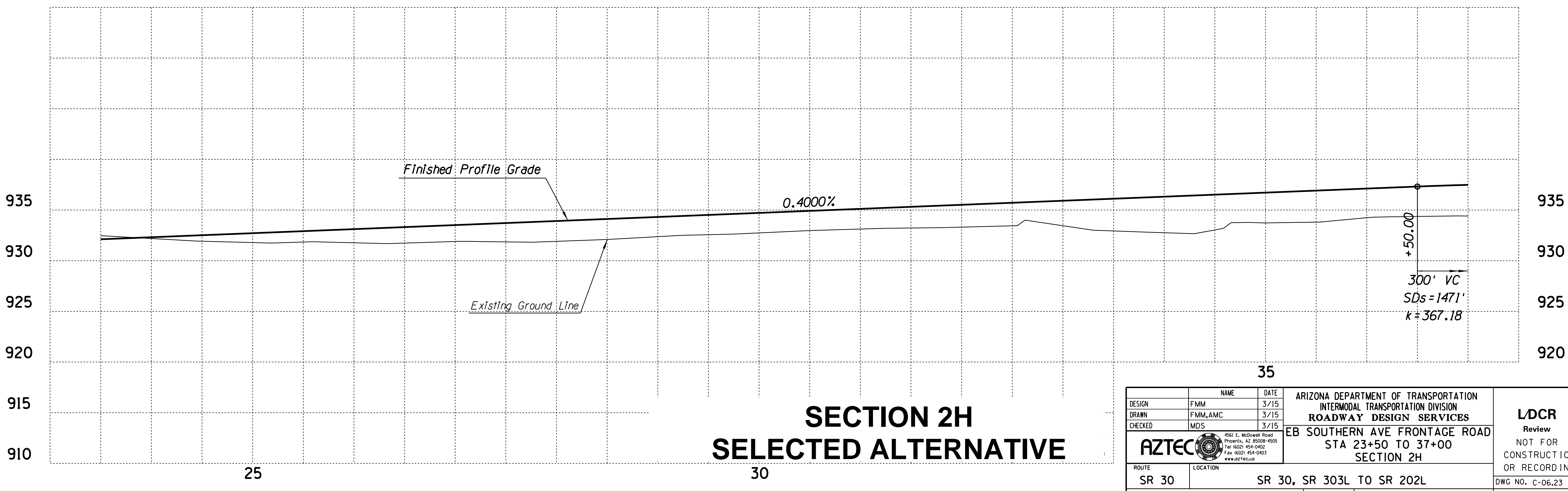
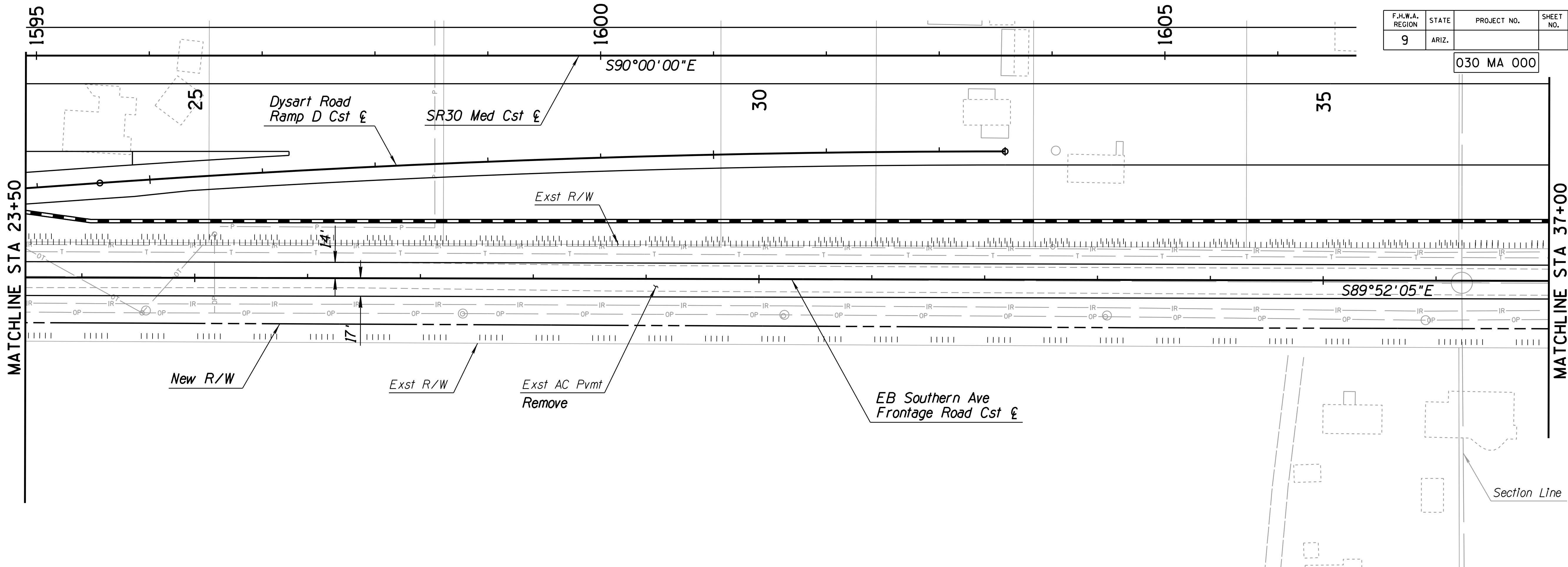
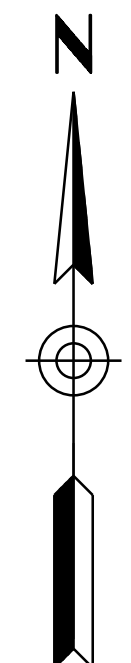


## SECTION 2H SELECTED ALTERNATIVE

DESIGN	FMM	DATE	3/15	ARIZONA DEPARTMENT OF TRANSPORTATION INTERMODAL TRANSPORTATION DIVISION ROADWAY DESIGN SERVICES	<b>L/DCR</b> Review NOT FOR CONSTRUCTION OR RECORDING
DRAWN	FMM,AMC	DATE	3/15		
CHECKED	MDS	DATE	3/15		
<b>AZTEC</b>				4561 E. McDowell Road Phoenix, AZ 85008-4505 Tel: (602) 454-0402 Fax: (602) 454-0403 www.aztec.us	
ROUTE	SR 30	LOCATION	SR 30, SR 303L TO SR 202L		
TRACS NO.	H6876 OIL		DWG NO. C-06.22		

F.H.W.A. REGION	STATE	PROJECT NO.	SHEET NO.	TOTAL SHEETS	AS BUILT
9	ARIZ.				

030 MA 000



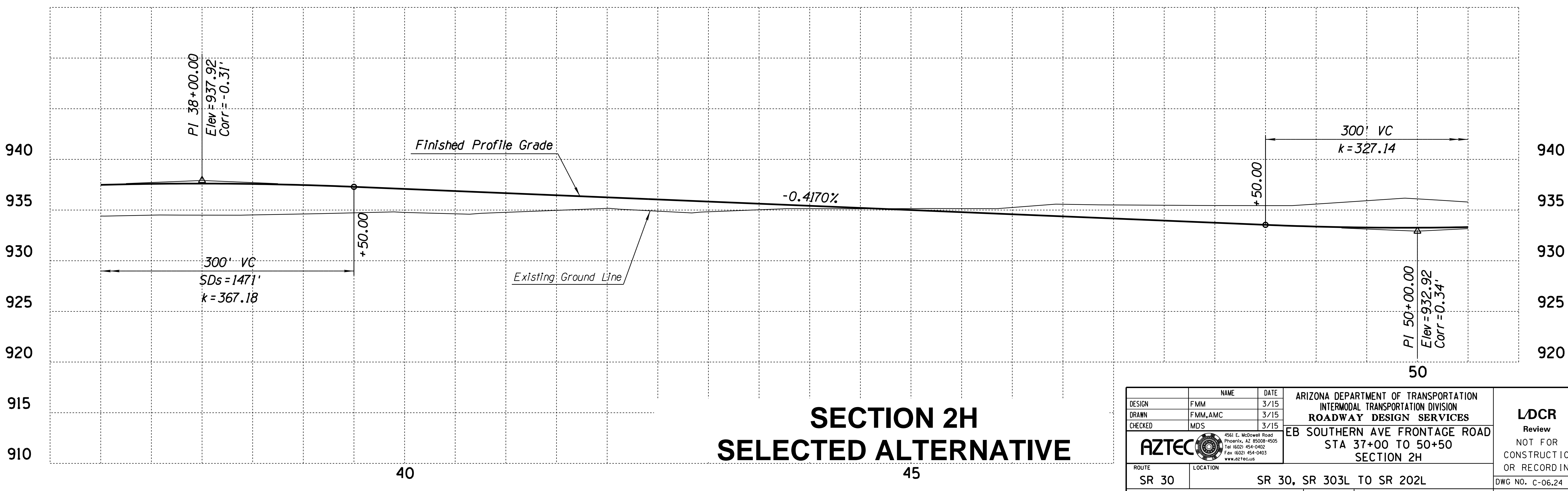
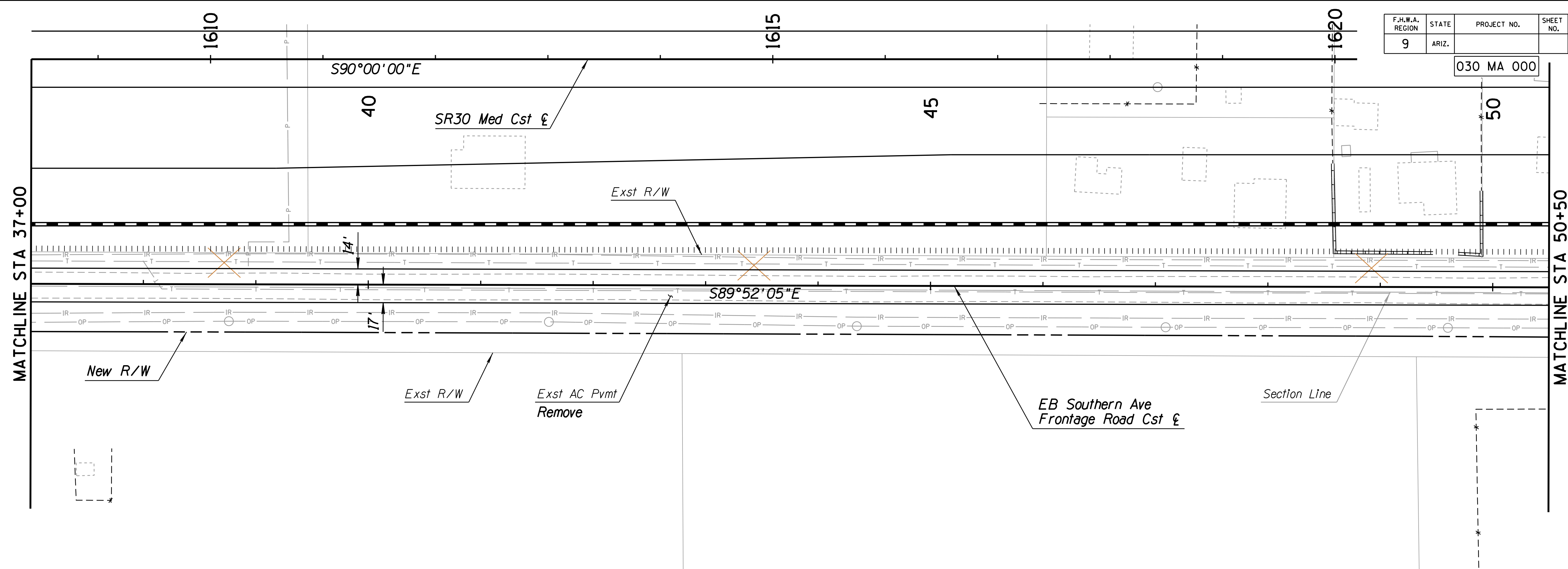
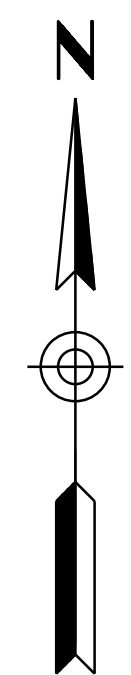
## SECTION 2H SELECTED ALTERNATIVE

DESIGN	FMM	DATE	3/15	ARIZONA DEPARTMENT OF TRANSPORTATION INTERMODAL TRANSPORTATION DIVISION ROADWAY DESIGN SERVICES	<b>L/DCR</b> Review NOT FOR CONSTRUCTION OR RECORDING
DRAWN	FMM,AMC	DATE	3/15		
CHECKED	MDS	DATE	3/15		
<b>AZTEC</b>				4561 E. McDowell Road Phoenix, AZ 85008-4505 Tel: 602-454-0402 Fax: 602-454-0403 www.aztec.us	
ROUTE	SR 30	LOCATION	SR 30, SR 303L TO SR 202L	EB SOUTHERN AVE FRONTAGE ROAD STA 23+50 TO 37+00 SECTION 2H	
TRACS NO.	H6876 OIL			DWG NO. C-06.23	
				OF	

SURVEY NO. FINISHED PLANS DATE LOCATION REVISIONS DATE LOCATION REVISIONS DATE LOCATION REVISIONS

F.H.W.A. REGION	STATE	PROJECT NO.	SHEET NO.	TOTAL SHEETS	AS BUILT
9	ARIZ.				

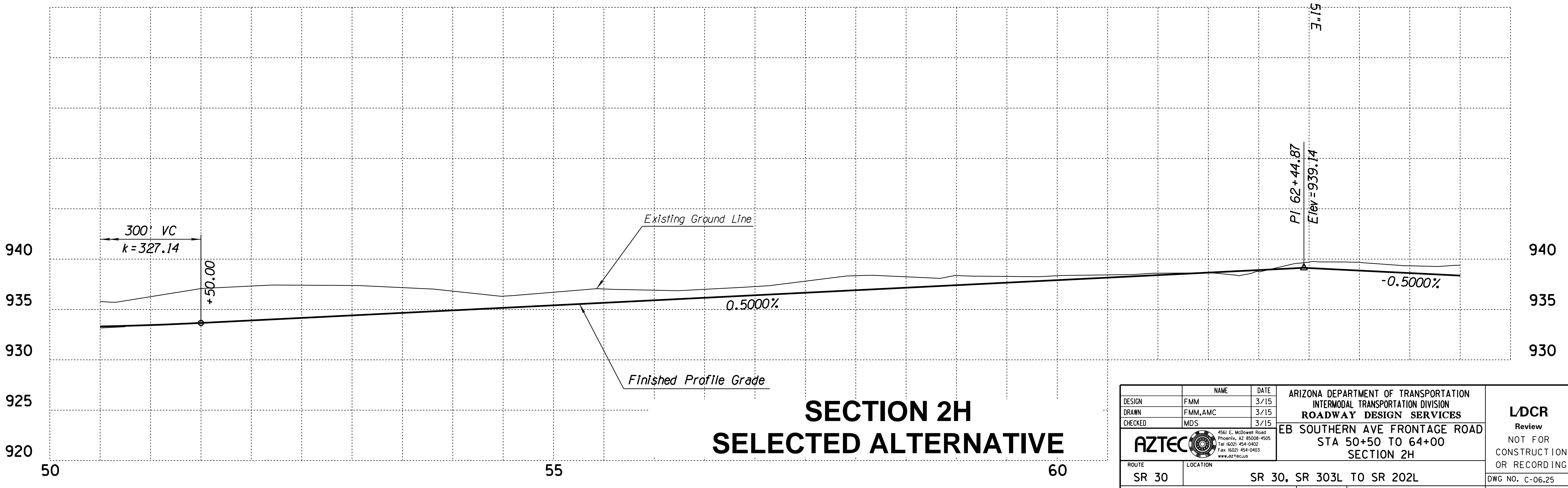
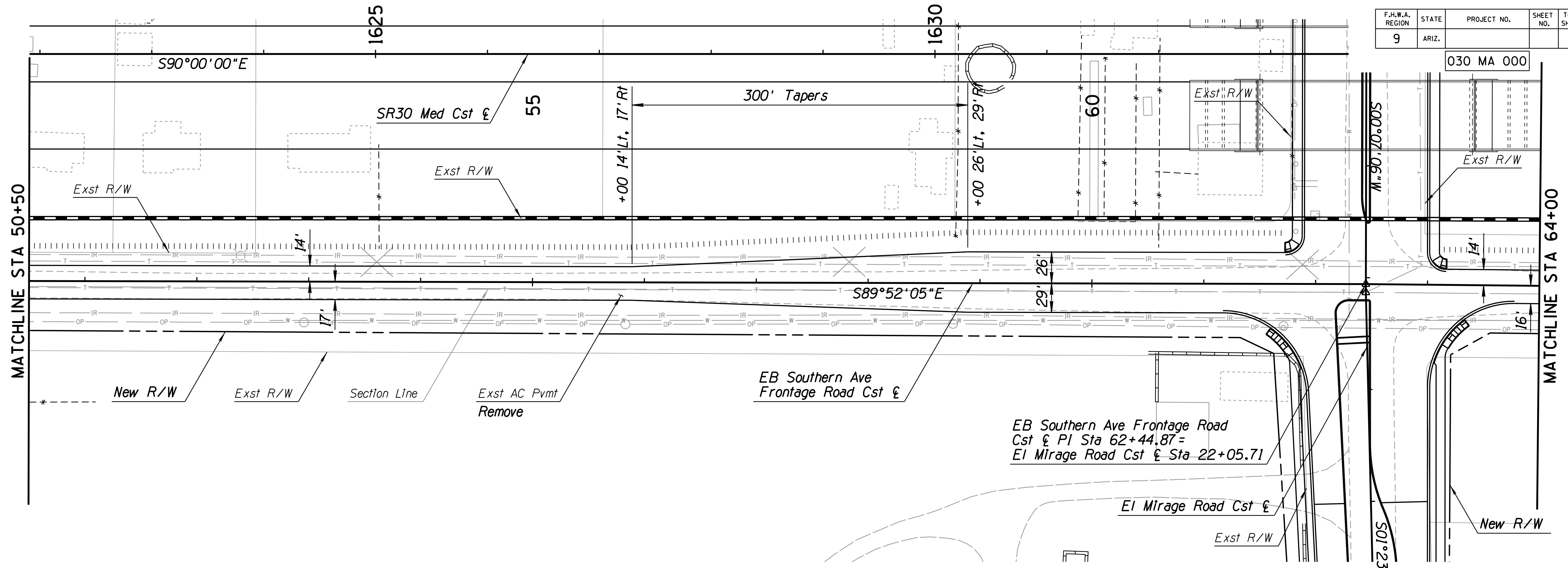
030 MA 000



## SECTION 2H SELECTED ALTERNATIVE

DESIGN	FMM	DATE	3/15	ARIZONA DEPARTMENT OF TRANSPORTATION INTERMODAL TRANSPORTATION DIVISION <b>ROADWAY DESIGN SERVICES</b> 4561 E. McDowell Road Phoenix, AZ 85008-4505 Tel: 602-454-5402 Fax: 602-454-5403 www.aztec.us	<b>L/DCR</b> Review NOT FOR CONSTRUCTION OR RECORDING
DRAWN	FMM,AMC	3/15			
CHECKED	MDS	3/15			
ROUTE	SR 30	LOCATION	SR 30, SR 303L TO SR 202L	EB SOUTHERN AVE FRONTAGE ROAD STA 37+00 TO 50+50 SECTION 2H	
TRACS NO.	H6876 OIL			DWG NO.	C-06.24

F.H.W.A. REGION	STATE	PROJECT NO.	SHEET NO.	TOTAL SHEETS	AS BUILT
9	ARIZ.	030 MA 000			



## SECTION 2H SELECTED ALTERNATIVE

DESIGN	NAME	DATE	ARIZONA DEPARTMENT OF TRANSPORTATION INTERMODAL TRANSPORTATION DIVISION ROADWAY DESIGN SERVICES	L/DCR Review NOT FOR CONSTRUCTION OR RECORDING
DRAWN	FMM,AMC	3/15		
CHECKED	MDS	3/15		
<b>AZTEC</b>			4561 E. McDowell Road Phoenix, AZ 85008-6505 Tel: 602-494-0402 Fax: 602-494-0403 www.aztec.us	
ROUTE	LOCATION	EB SOUTHERN AVE FRONTAGE ROAD STA 50+50 TO 64+00 SECTION 2H		
SR 30	SR 30, SR 303L TO SR 202L	DWG NO. C-06.25		
TRACS NO.	H6876 OIL	OF		

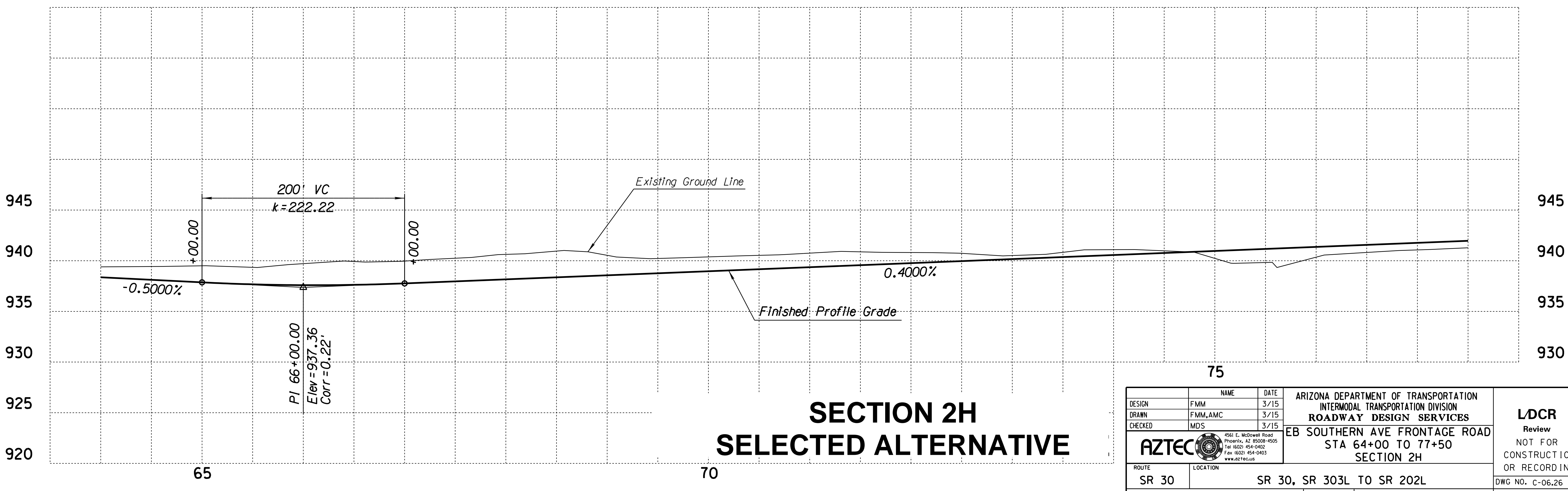
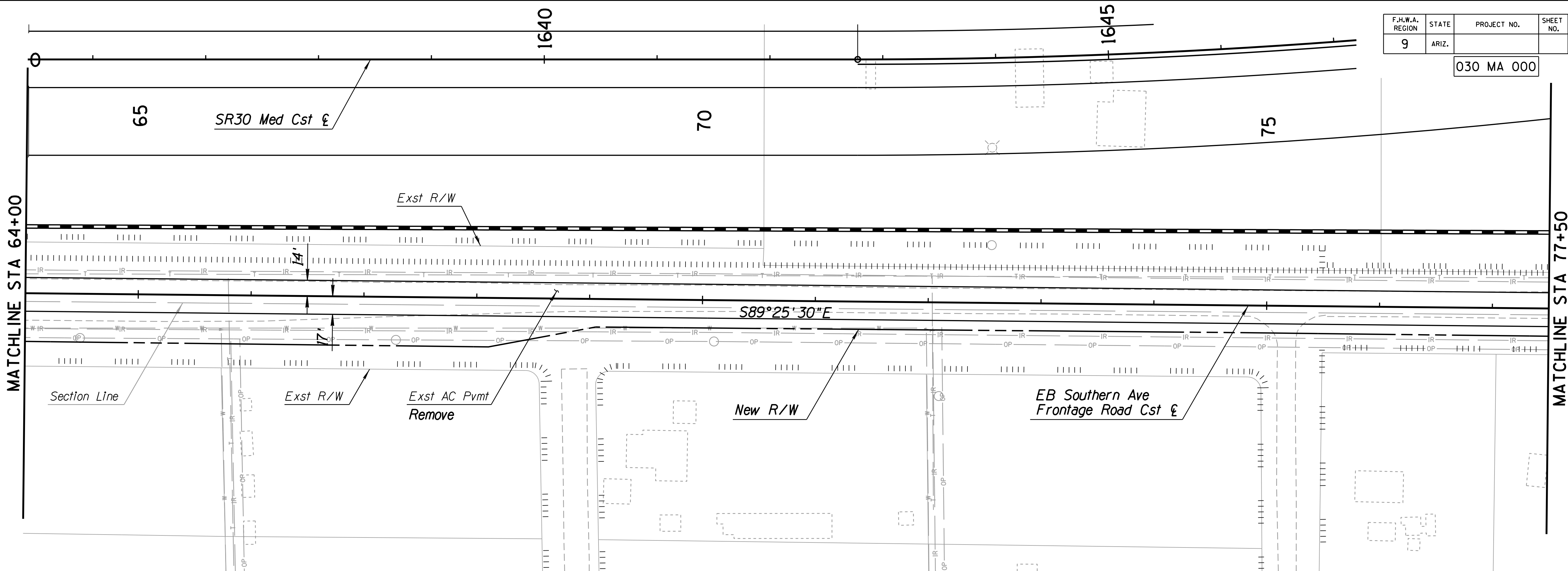
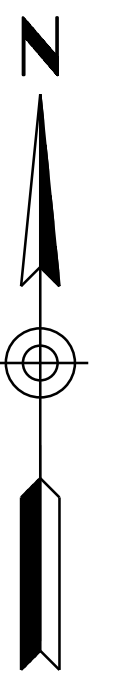
SURVEY NO. FINISHED PLANS DATE LOCATION REVISIONS DATE SURVEY NO. FINISHED PLANS DATE

ADOT - SUBDUCE - I.TBL



F.H.W.A. REGION	STATE	PROJECT NO.	SHEET NO.	TOTAL SHEETS	AS BUILT
9	ARIZ.				

030 MA 000



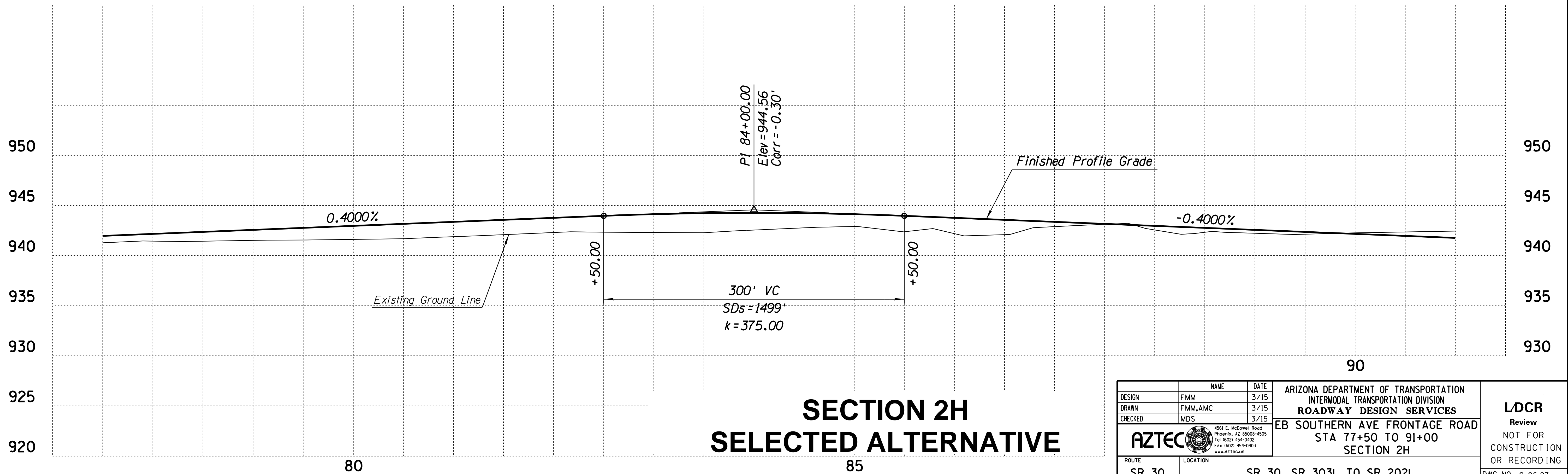
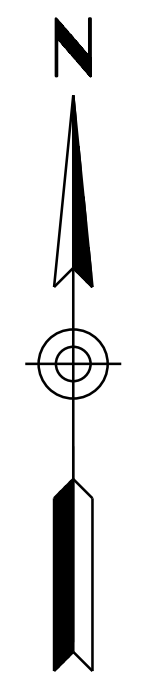
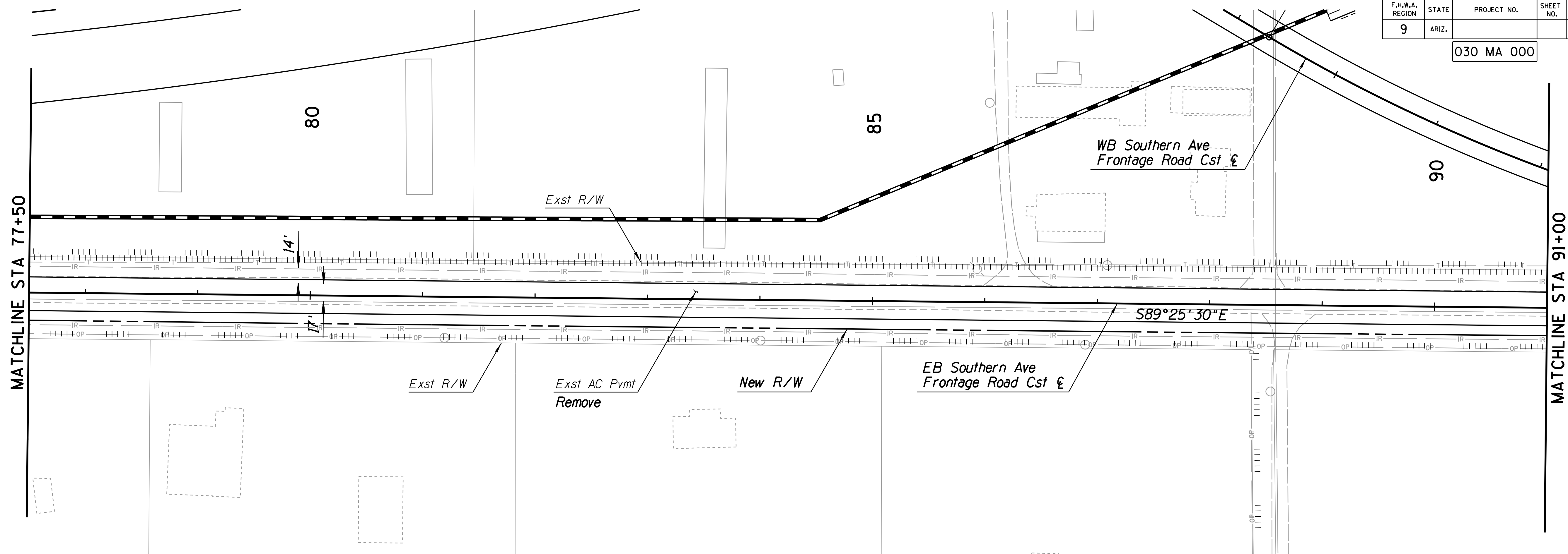
## SECTION 2H SELECTED ALTERNATIVE

DESIGN	FMM	DATE	3/15	ARIZONA DEPARTMENT OF TRANSPORTATION INTERMODAL TRANSPORTATION DIVISION ROADWAY DESIGN SERVICES	<b>L/DCR</b> Review NOT FOR CONSTRUCTION OR RECORDING
DRAWN	FMM,AMC	DATE	3/15		
CHECKED	MDS	DATE	3/15		
<b>AZTEC</b>		4561 E. McDowell Road Phoenix, AZ 85008-6505 Tel: 602-454-0402 Fax: 602-454-0403 www.aztec.us		EB SOUTHERN AVE FRONTAGE ROAD STA 64+00 TO 77+50 SECTION 2H	
ROUTE	SR 30	LOCATION	SR 30, SR 303L TO SR 202L	DWG NO. C-06.26	
TRACS NO.	H6876 OIL			OF	

SURVEY NO. FINISHED PLANS. DATE. LOCATION. REVISIONS. FINISHED PLANS. DATE. LOCATION. REVISIONS. FINISHED PLANS. DATE. LOCATION. REVISIONS.

F.H.W.A. REGION	STATE	PROJECT NO.	SHEET NO.	TOTAL SHEETS	AS BUILT
9	ARIZ.				

030 MA 000



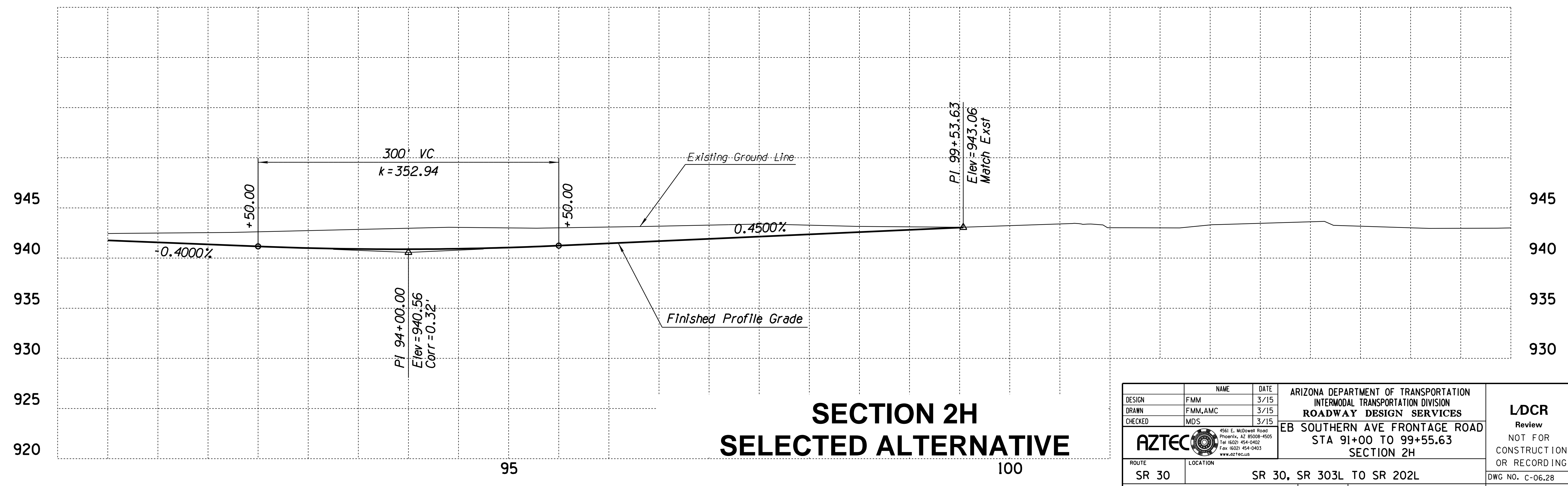
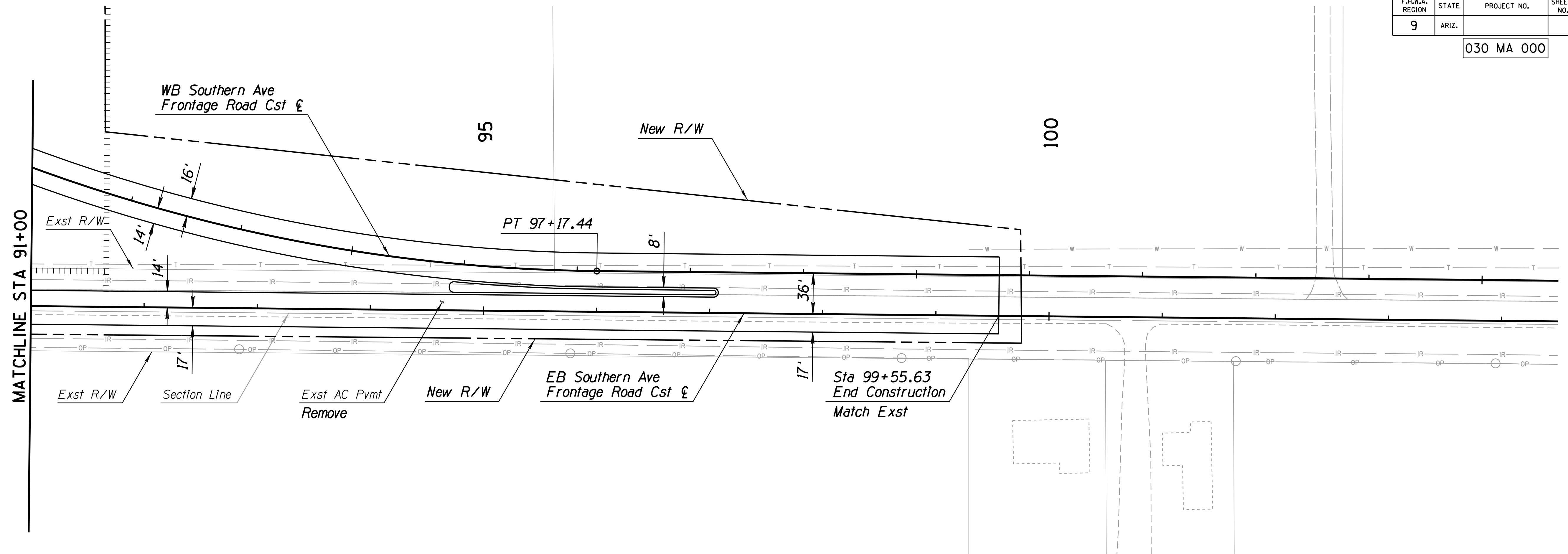
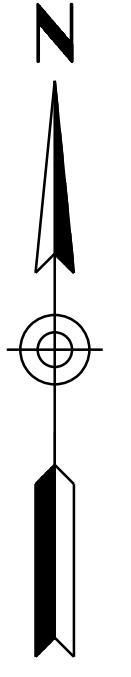
## SECTION 2H SELECTED ALTERNATIVE

DESIGN	NAME	DATE	ARIZONA DEPARTMENT OF TRANSPORTATION INTERMODAL TRANSPORTATION DIVISION ROADWAY DESIGN SERVICES	L/DCR Review NOT FOR CONSTRUCTION OR RECORDING
DESIGN	FMM	3/15		
DRAWN	FMM, AMC	3/15		
CHECKED	MDS	3/15	EB SOUTHERN AVE FRONTAGE ROAD STA 77+50 TO 91+00 SECTION 2H	DWG NO. C-06.27
ROUTE	SR 30	SR 30, SR 303L TO SR 202L		
TRACS NO.	H6876 OIL			OF

SURVEY NO. FINISHED PLANS DATE LOCATION REVISIONS DATE FINISHED PLANS SURVEY NO. DATE LOCATION REVISIONS DATE FINISHED PLANS SURVEY NO.

F.H.W.A. REGION	STATE	PROJECT NO.	SHEET NO.	TOTAL SHEETS	AS BUILT
9	ARIZ.				

030 MA 000

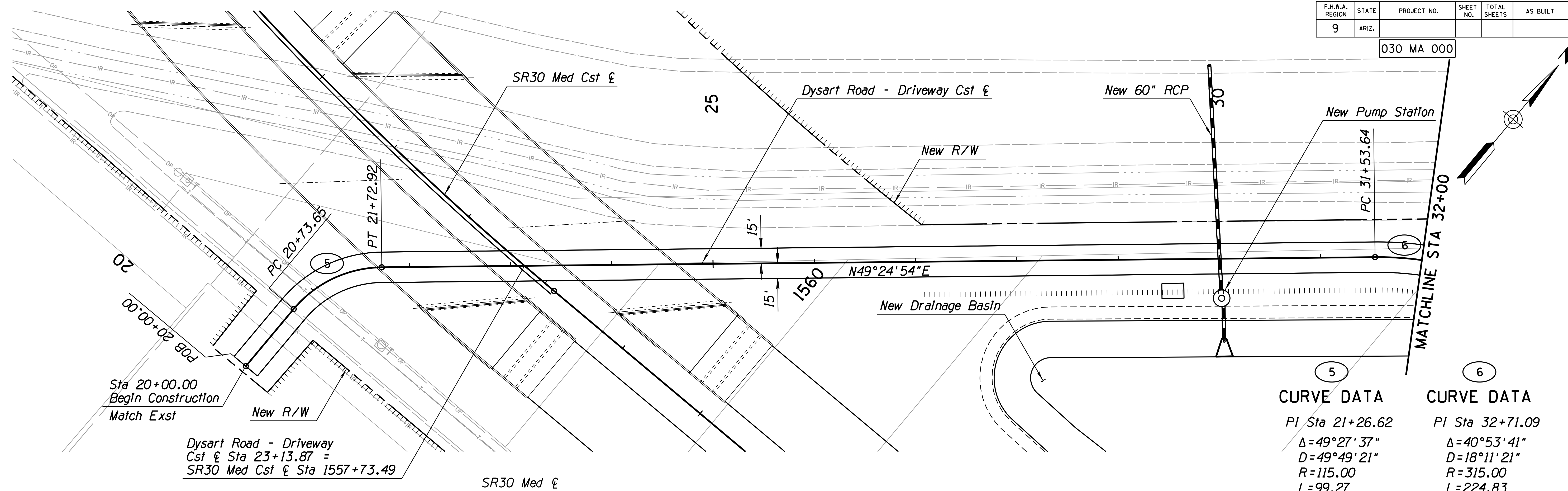


## SECTION 2H SELECTED ALTERNATIVE

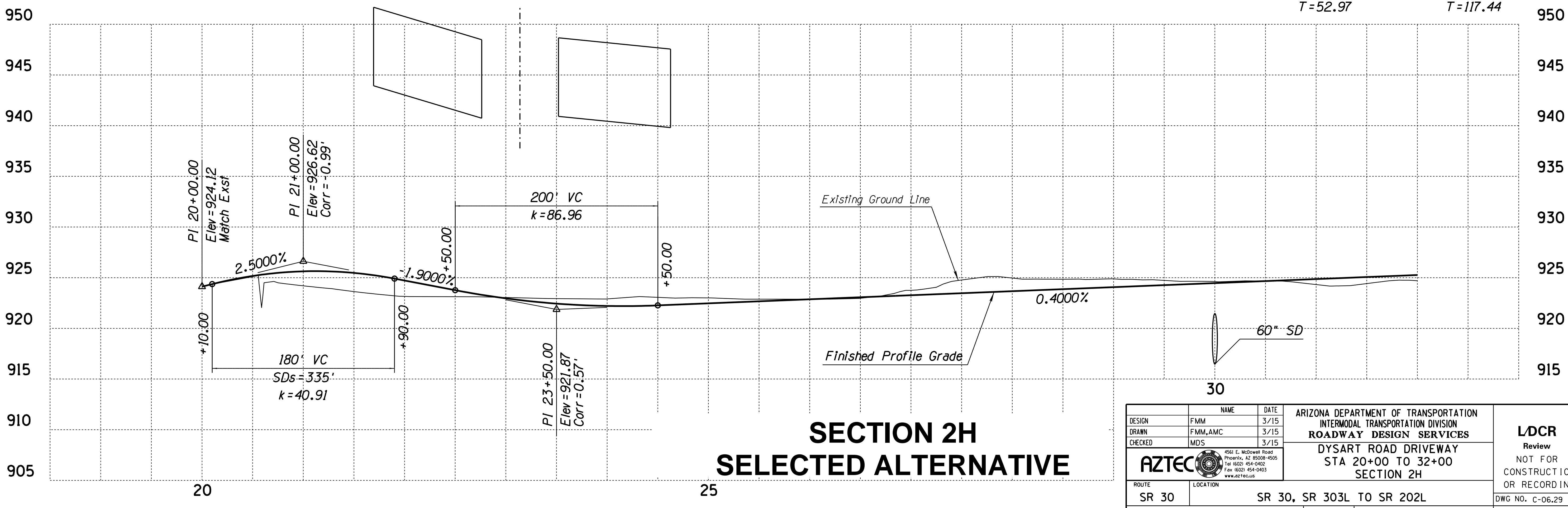
DESIGN	FMM	DATE	3/15	ARIZONA DEPARTMENT OF TRANSPORTATION INTERMODAL TRANSPORTATION DIVISION <b>ROADWAY DESIGN SERVICES</b> 4561 E. McDowell Road Phoenix, AZ 85008-4505 Tel: 602-454-0402 Fax: 602-454-0403 www.aztec.us	<b>L/DCR</b> Review NOT FOR CONSTRUCTION OR RECORDING
DRAWN	FMM,AMC	3/15			
CHECKED	MDS	3/15			
ROUTE		SR 30		SR 30, SR 303L TO SR 202L	
TRACS NO.		H6876 OIL		DWG NO. C-06.28	

F.H.W.A. REGION	STATE	PROJECT NO.	SHEET NO.	TOTAL SHEETS	AS BUILT
9	ARIZ.				

030 MA 000



CURVE DATA	CURVE DATA
PI Sta 21+26.62	PI Sta 32+71.09
$\Delta = 49^\circ 27' 37''$	$\Delta = 40^\circ 53' 41''$
$D = 49^\circ 49' 21''$	$D = 18^\circ 11' 21''$
$R = 115.00$	$R = 315.00$
$L = 99.27$	$L = 224.83$
$T = 52.97$	$T = 117.44$



## SECTION 2H SELECTED ALTERNATIVE

DESIGN	FMM	DATE	3/15	ARIZONA DEPARTMENT OF TRANSPORTATION INTERMODAL TRANSPORTATION DIVISION ROADWAY DESIGN SERVICES	L/DCR Review NOT FOR CONSTRUCTION OR RECORDING
DRAWN	FMM, AMC	DATE	3/15		
CHECKED	MDS	DATE	3/15		
AZTEC				DYSART ROAD DRIVEWAY STA 20+00 TO 32+00 SECTION 2H	
ROUTE	SR 30	LOCATION	SR 30, SR 303L TO SR 202L	DWG NO. C-06.29	
TRACS NO.	H6876 OIL	OF			

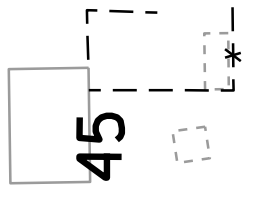
SURVEY NO. FINISHED PLANS DATE LOCATION REVISIONS FINISHED PLANS DATE LOCATION REVISIONS FINISHED PLANS DATE LOCATION REVISIONS

ADOT - SUBDUCE - I - TBL

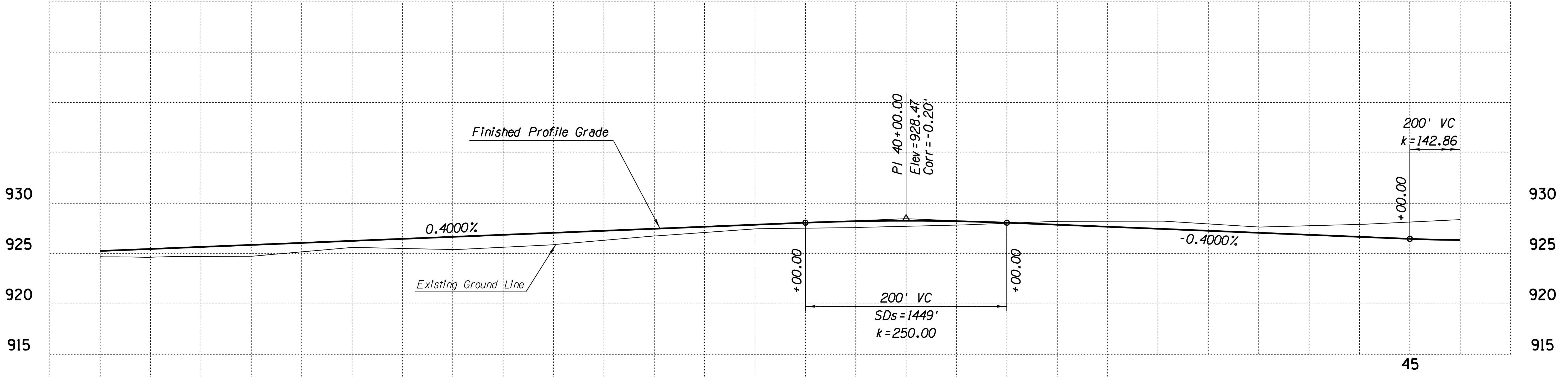
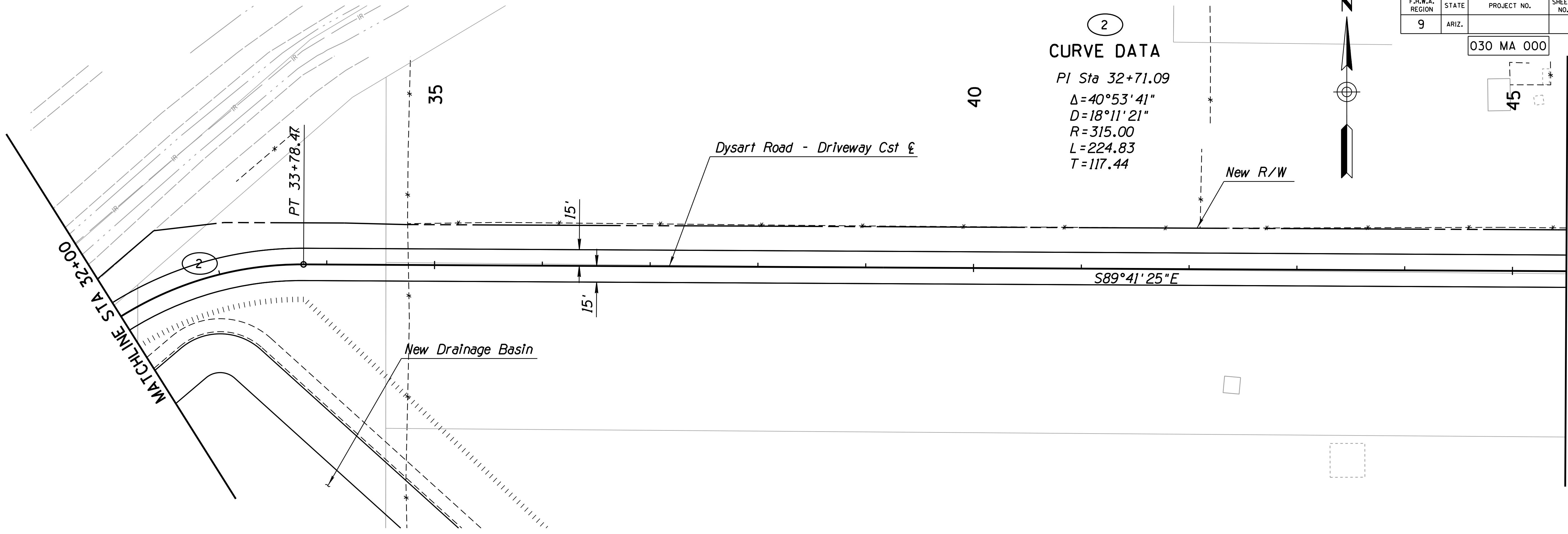
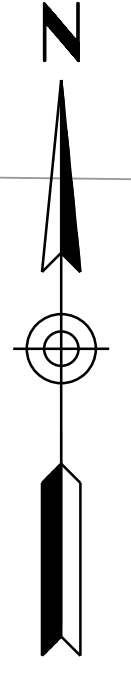
DATE: LOCATION: REVISIONS: FINISHED PLANS: SURVEY NO. DATE: LOCATION: REVISIONS: FINISHED PLANS: SURVEY NO.

F.H.W.A. REGION	STATE	PROJECT NO.	SHEET NO.	TOTAL SHEETS	AS BUILT
9	ARIZ.				

030 MA 000



**CURVE DATA**  
 2  
 PI Sta 32+71.09  
 $\Delta = 40^\circ 53' 41''$   
 $D = 18^\circ 11' 21''$   
 $R = 315.00$   
 $L = 224.83$   
 $T = 117.44$



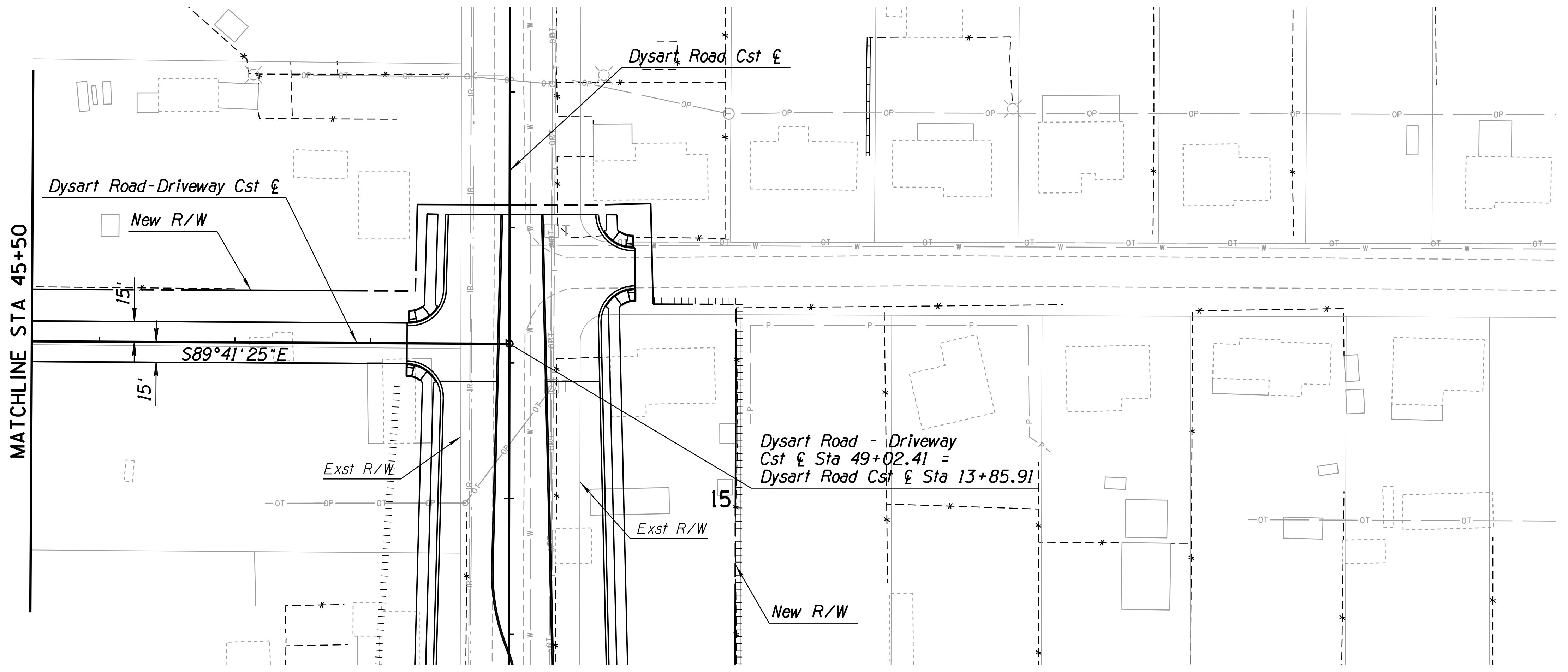
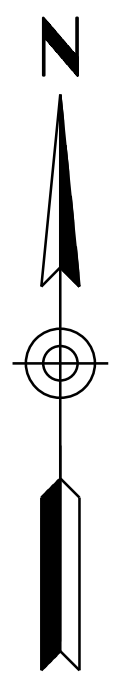
**SECTION 2H  
 SELECTED ALTERNATIVE**

DESIGN	FMM	DATE	3/15	ARIZONA DEPARTMENT OF TRANSPORTATION INTERMODAL TRANSPORTATION DIVISION <b>ROADWAY DESIGN SERVICES</b> DYSART ROAD DRIVEWAY STA 32+00 TO 45+50 SECTION 2H	<b>L/DCR</b> Review NOT FOR CONSTRUCTION OR RECORDING
DRAWN	FMM,AMC	3/15			
CHECKED	MDS	3/15			
ROUTE		SR 30		SR 30, SR 303L TO SR 202L	DWG NO. C-06.30
LOCATION		SR 30			
TRACS NO.		H6876 01L		OF	

ADOT - SUBDUE - I - TBL

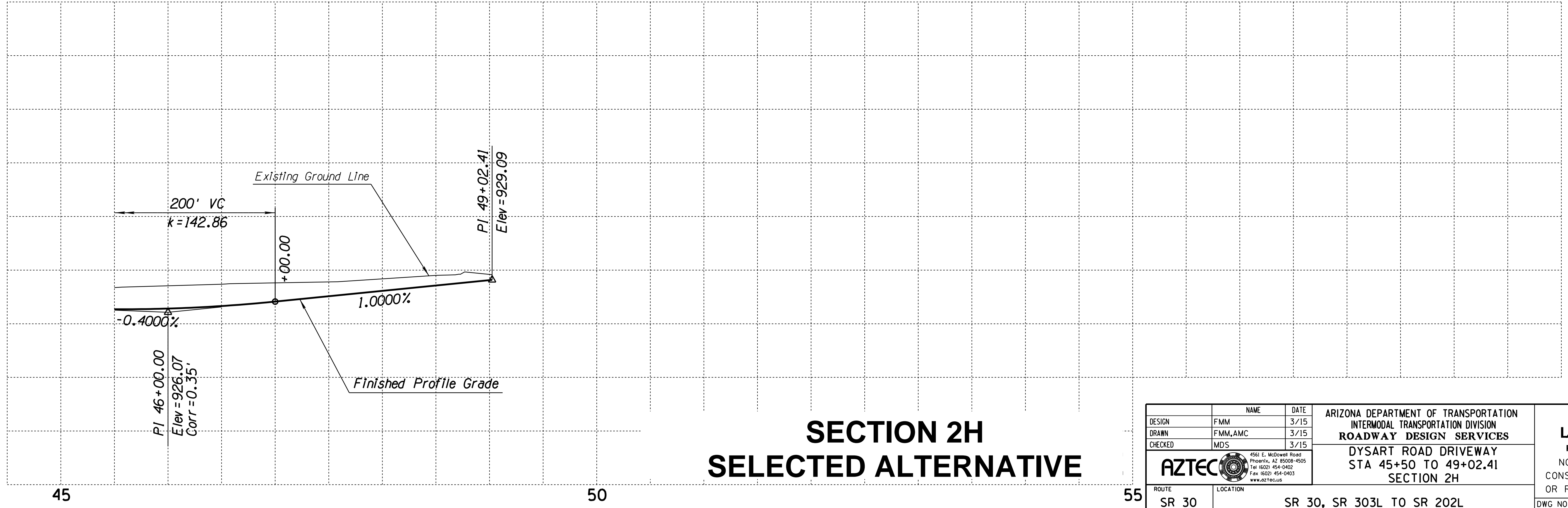
F.H.W.A. REGION	STATE	PROJECT NO.	SHEET NO.	TOTAL SHEETS	AS BUILT
9	ARIZ.				

030 MA 000



MATCHLINE STA 45+50

Dysart Road - Driveway  
Cst E Sta 49+02.41 =  
Dysart Road Cst E Sta 13+85.91



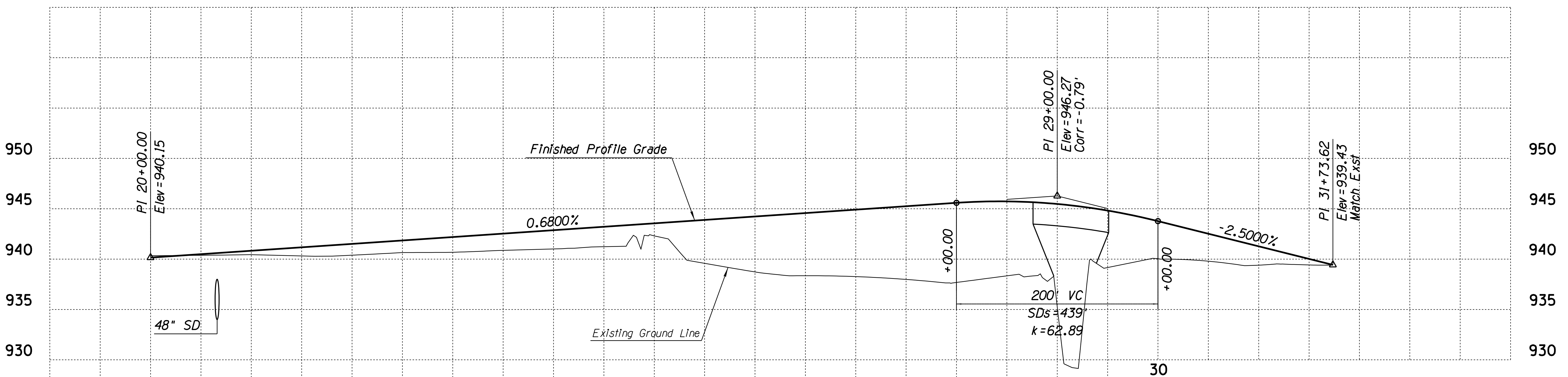
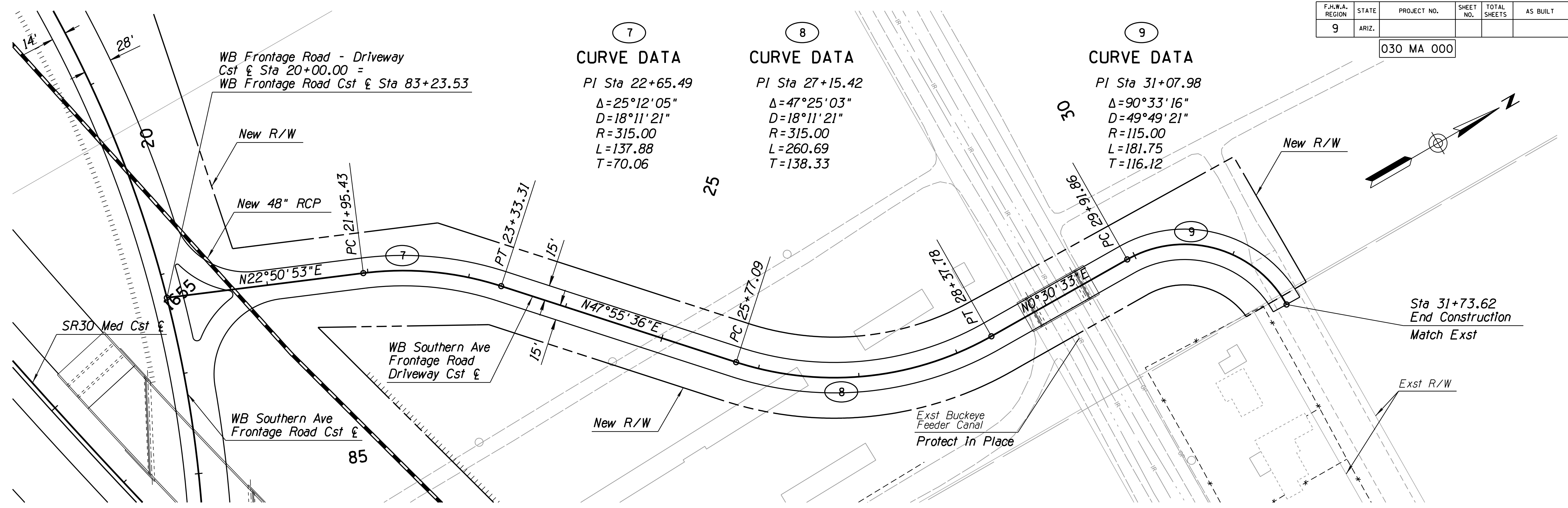
## SECTION 2H SELECTED ALTERNATIVE

DESIGN	FMM	DATE	3/15	ARIZONA DEPARTMENT OF TRANSPORTATION INTERMODAL TRANSPORTATION DIVISION ROADWAY DESIGN SERVICES	<b>L/DCR</b> Review NOT FOR CONSTRUCTION OR RECORDING
DRAWN	FMM,AMC	DATE	3/15		
CHECKED	MDS	DATE	3/15		
<b>AZTEC</b> <small>4561 E. McDowell Road Phoenix, AZ 85008-4505 Tel: (602) 454-0402 Fax: (602) 454-0403 www.aztecus.com</small>				DYSART ROAD DRIVEWAY STA 45+50 TO 49+02.41 SECTION 2H	
ROUTE	SR 30	LOCATION	SR 30, SR 303L TO SR 202L		
TRACS NO.	H6876 OIL			DWG NO. C-06.31	
				OF	

SURVEY NO. FINISHED PLANS. LOCATION. DATE. REVISIONS. FINISHED PLANS. LOCATION. DATE. REVISIONS. FINISHED PLANS. LOCATION. DATE.

F.H.W.A. REGION	STATE	PROJECT NO.	SHEET NO.	TOTAL SHEETS	AS BUILT
9	ARIZ.				

030 MA 000



## SECTION 2H SELECTED ALTERNATIVE

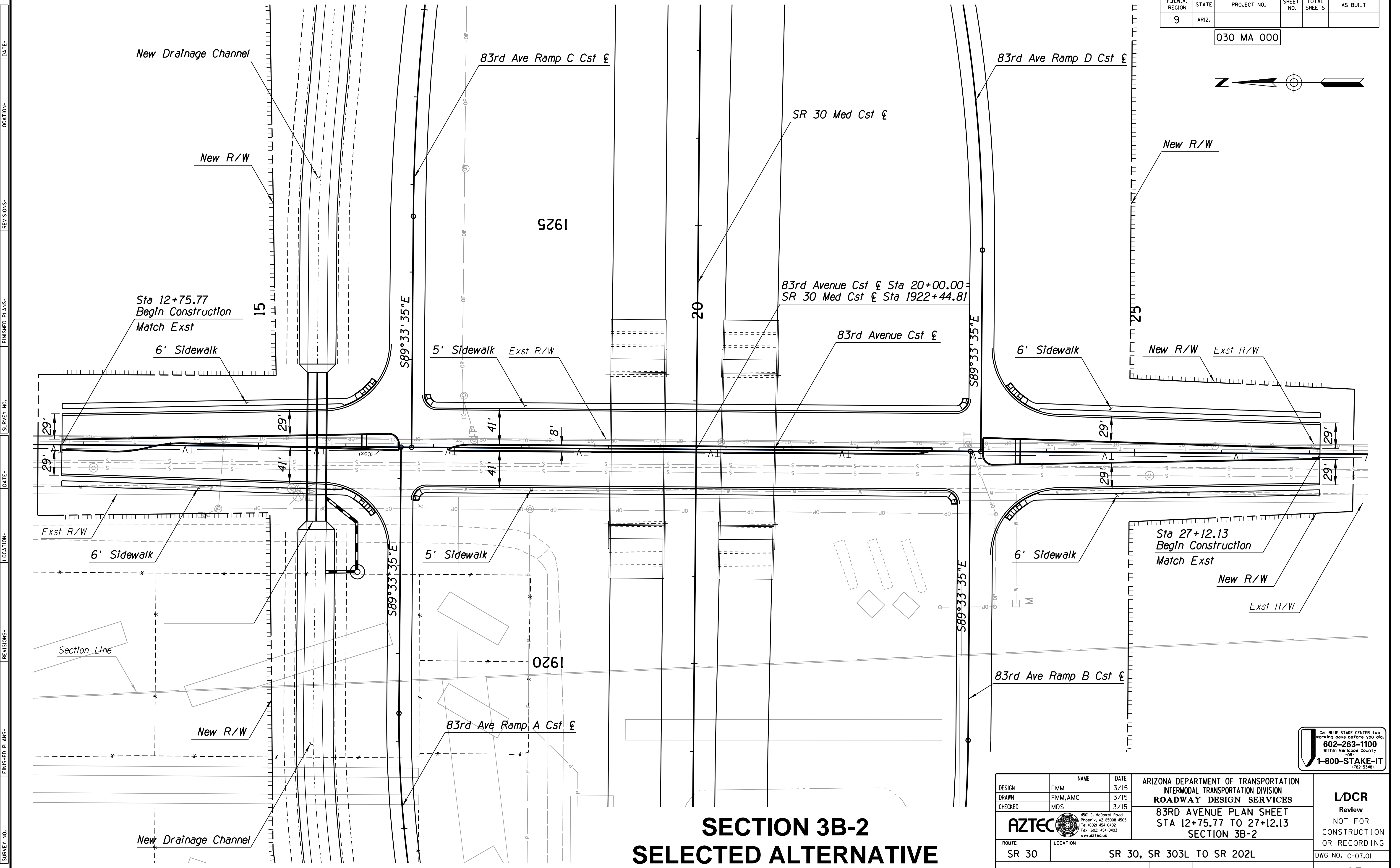
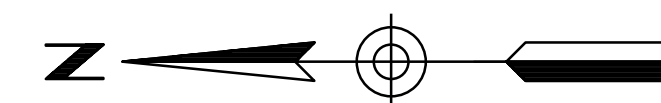
DESIGN	NAME	DATE	ARIZONA DEPARTMENT OF TRANSPORTATION INTERMODAL TRANSPORTATION DIVISION ROADWAY DESIGN SERVICES	L/DCR Review NOT FOR CONSTRUCTION OR RECORDING
DESIGN	FMM	3/15		
DRAWN	FMM,AMC	3/15		
CHECKED	MDS	3/15	WB FRNT. RD D/W PLAN/PROFILE SHT STA 20+00 TO 33+00 SECTION 2H	DWG NO. C-06.32
AZTEC				
ROUTE	LOCATION	SR 30, SR 303L TO SR 202L		
TRACS NO.	H6876 OIL			

SURVEY NO. FINISHED PLANS DATE REVISIONS LOCATION DATE FINISHED PLANS SURVEY NO. FINISHED PLANS DATE REVISIONS LOCATION DATE

ADOT - SUBDUCE - I.TBL

F.H.W.A. REGION	STATE	PROJECT NO.	SHEET NO.	TOTAL SHEETS	AS BUILT
9	ARIZ.				

030 MA 000



# SECTION 3B-2 SELECTED ALTERNATIVE

DESIGN	NAME	DATE
DESIGN	FMM	3/15
DRAWN	FMM,AMC	3/15
CHECKED	MDS	3/15

ARIZONA DEPARTMENT OF TRANSPORTATION  
INTERMODAL TRANSPORTATION DIVISION  
**ROADWAY DESIGN SERVICES**  
83RD AVENUE PLAN SHEET  
STA 12+75.77 TO 27+12.13  
SECTION 3B-2



**L/DCR**  
Review  
NOT FOR  
CONSTRUCTION  
OR RECORDING

ROUTE	LOCATION
SR 30	SR 30, SR 303L TO SR 202L

TRACS NO. H6876 OIL

DWG NO. C-07.01

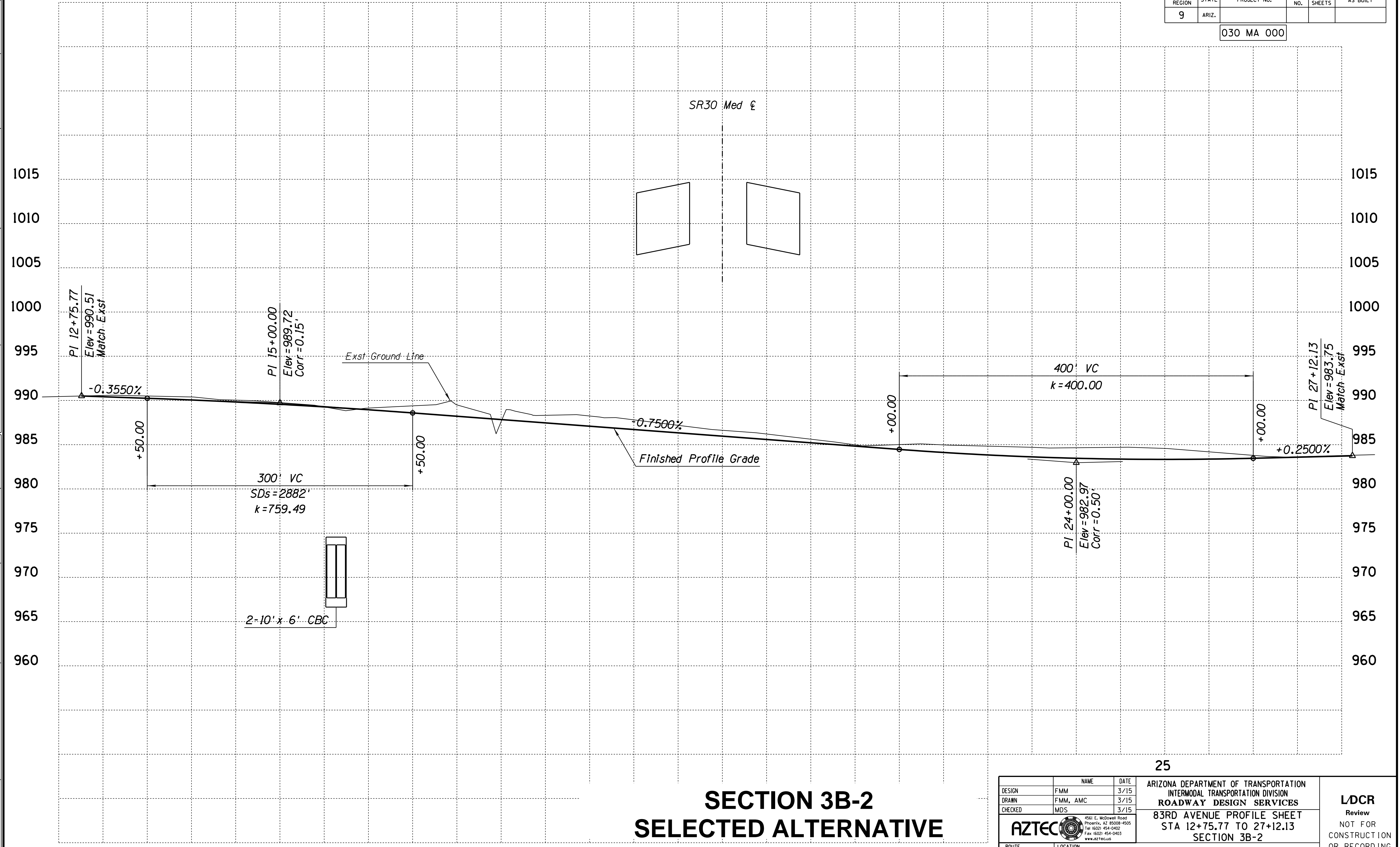
OF

SURVEY NO. FINISHED PLANS. DATE. LOCATION. REVISIONS. FINISHED PLANS. DATE. SURVEY NO. FINISHED PLANS. DATE. LOCATION. REVISIONS. FINISHED PLANS. DATE. SURVEY NO.



F.H.W.A. REGION	STATE	PROJECT NO.	SHEET NO.	TOTAL SHEETS	AS BUILT
9	ARIZ.				

030 MA 000



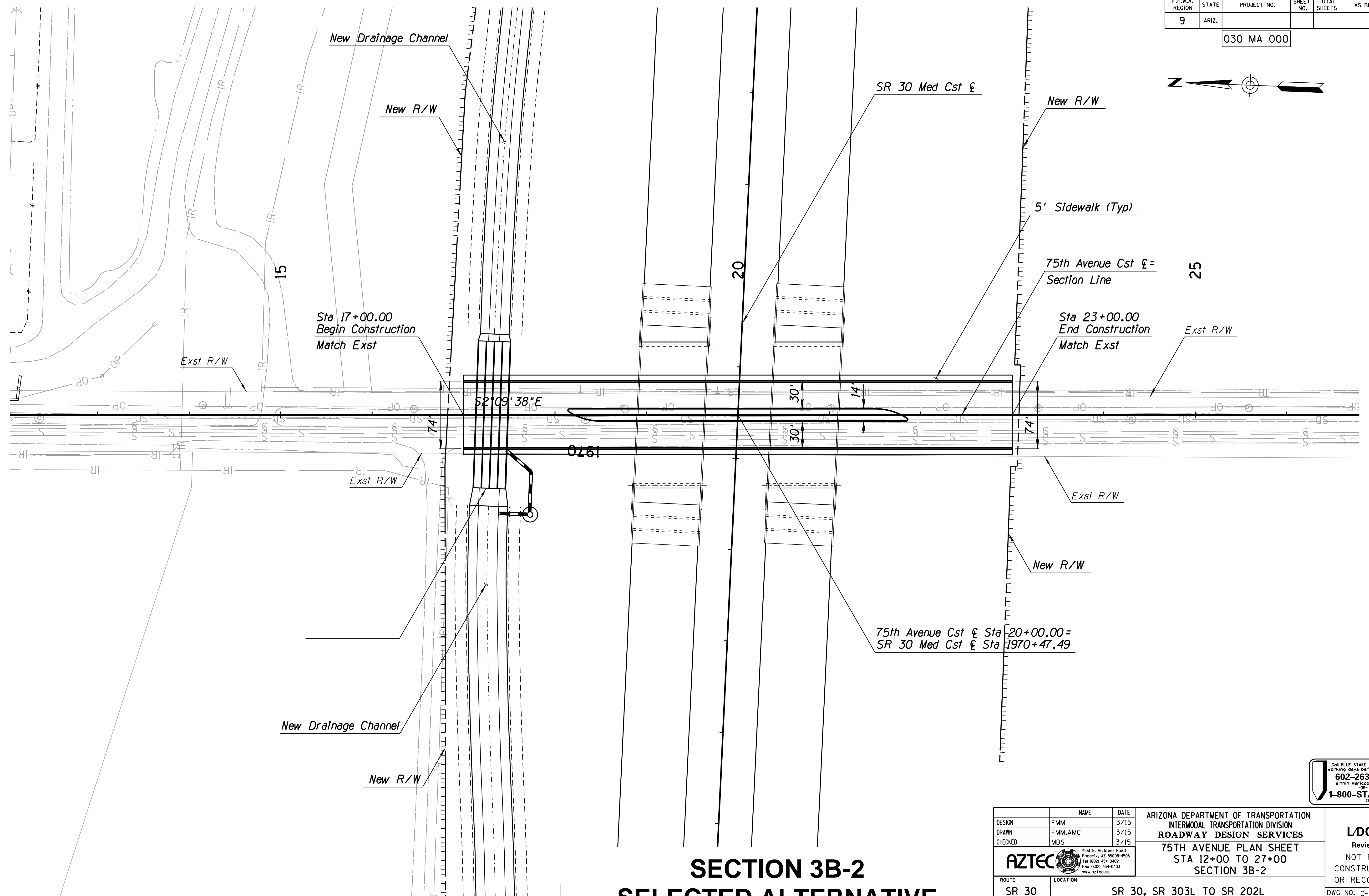
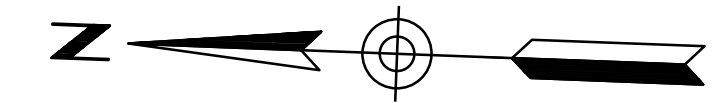
# SECTION 3B-2 SELECTED ALTERNATIVE

DESIGN	FMM	DATE	3/15	ARIZONA DEPARTMENT OF TRANSPORTATION INTERMODAL TRANSPORTATION DIVISION <b>ROADWAY DESIGN SERVICES</b> 83RD AVENUE PROFILE SHEET STA 12+75.77 TO 27+12.13 SECTION 3B-2	<b>L/DCR</b> Review NOT FOR CONSTRUCTION OR RECORDING
DRAWN	FMM, AMC	3/15			
CHECKED	MDS	3/15			
		<small>4561 E. McDowell Road Phoenix, AZ 85008-6505 Tel: (602) 454-0400 Fax: (602) 454-0403 www.aztec.us</small>			
ROUTE	SR 30	LOCATION	SR 30, SR 303L TO SR 202L		
TRACS NO.	H6876 OIL			DWG NO. C-07.02	

SURVEY NO. FINISHED PLANS DATE REVISIONS LOCATION DATE FINISHED PLANS SURVEY NO. REVISIONS DATE FINISHED PLANS SURVEY NO.

F.H.W.A. REGION	STATE	PROJECT NO.	SHEET NO.	TOTAL SHEETS	AS BUILT
9	ARIZ.				

030 MA 000



75th Avenue Cst & Sta 20+00.00 =  
SR 30 Med Cst & Sta 1970+47.49

## SECTION 3B-2 SELECTED ALTERNATIVE

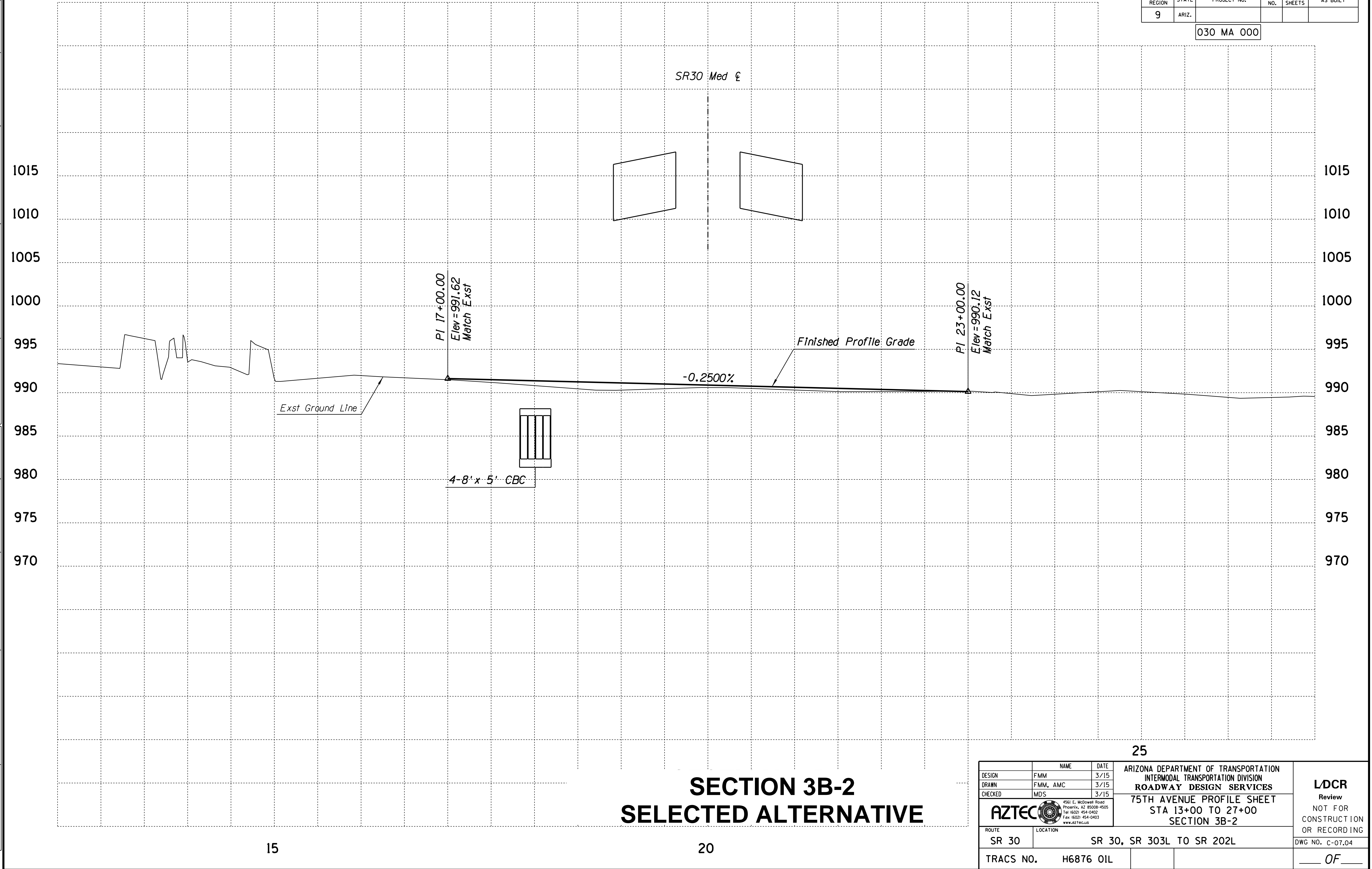
CALL BLUE STAKE CENTER two working days before you dig.  
**602-263-1100**  
Within Maricopa County  
OR  
**1-800-STAKE-IT**  
(782-5348)

DESIGN	FMM	DATE	3/15	ARIZONA DEPARTMENT OF TRANSPORTATION INTERMODAL TRANSPORTATION DIVISION <b>ROADWAY DESIGN SERVICES</b> 75TH AVENUE PLAN SHEET STA 12+00 TO 27+00 SECTION 3B-2	<b>L/DCR</b> Review NOT FOR CONSTRUCTION OR RECORDING
DRAWN	FMM,AMC	DATE	3/15		
CHECKED	MDS	DATE	3/15		
ROUTE	SR 30	LOCATION	SR 30, SR 303L TO SR 202L	DWG NO. C-07.03	
TRACS NO.	H6876 OIL				OF

SURVEY NO. \_\_\_\_\_ DATE \_\_\_\_\_ LOCATION \_\_\_\_\_ REVISIONS \_\_\_\_\_ FINISHED PLANS \_\_\_\_\_ SURVEY NO. \_\_\_\_\_ DATE \_\_\_\_\_ LOCATION \_\_\_\_\_ REVISIONS \_\_\_\_\_ FINISHED PLANS \_\_\_\_\_

F.H.W.A. REGION	STATE	PROJECT NO.	SHEET NO.	TOTAL SHEETS	AS BUILT
9	ARIZ.				

030 MA 000



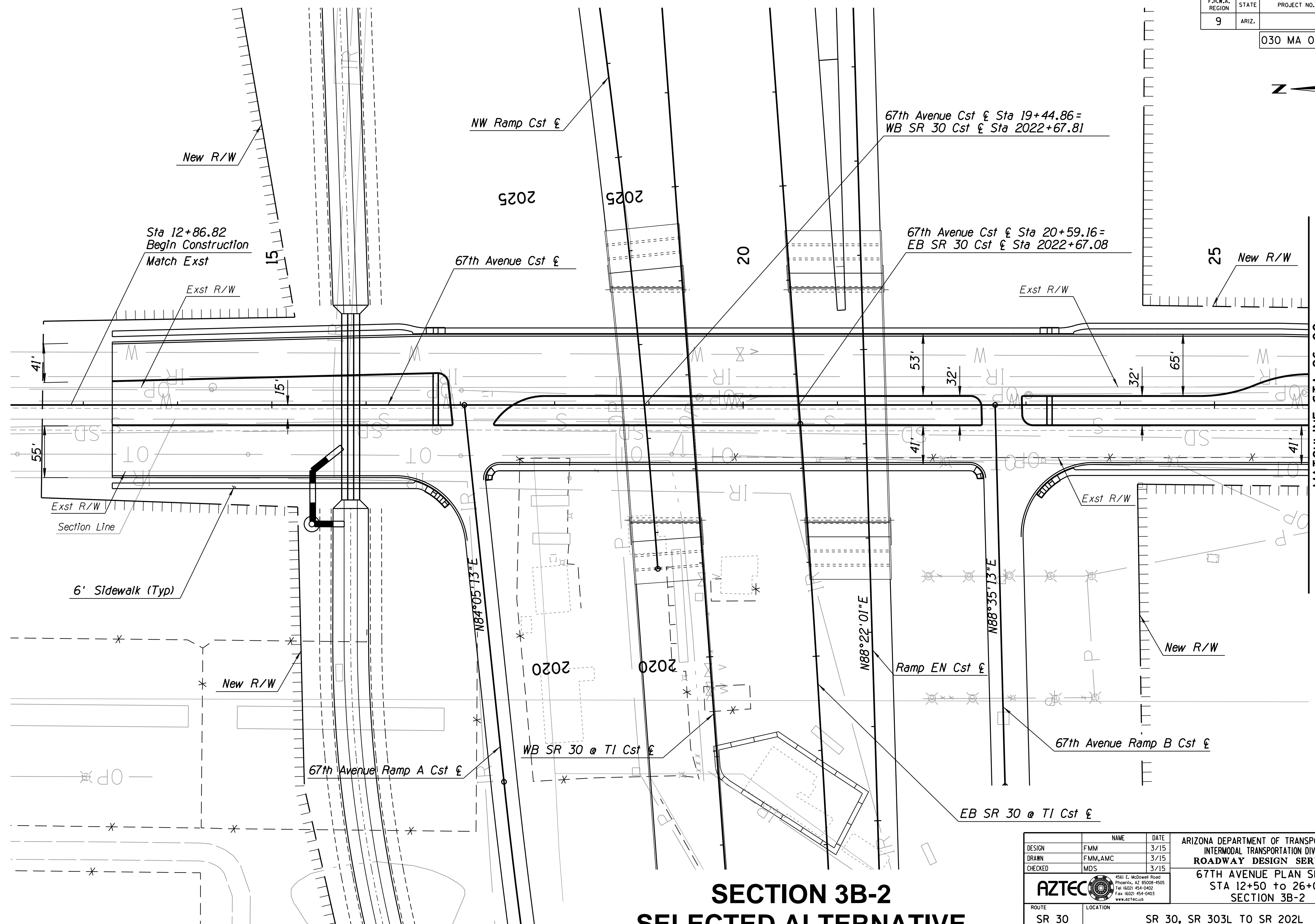
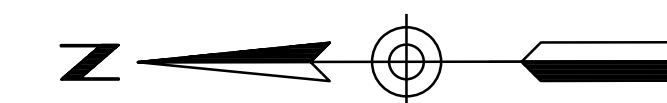
## SECTION 3B-2 SELECTED ALTERNATIVE

DESIGN		FMM	3/15	ARIZONA DEPARTMENT OF TRANSPORTATION INTERMODAL TRANSPORTATION DIVISION <b>ROADWAY DESIGN SERVICES</b> 75TH AVENUE PROFILE SHEET STA 13+00 TO 27+00 SECTION 3B-2	<b>L/DCR</b> Review NOT FOR CONSTRUCTION OR RECORDING
DRAWN		FMM, AMC	3/15		
CHECKED		MDS	3/15		
ROUTE		SR 30, SR 303L TO SR 202L			DWG NO. C-07.04
TRACS NO.		H6876 OIL			OF

SURVEY NO. FINISHED PLANS DATE LOCATION REVISIONS DATE FINISHED PLANS SURVEY NO. REVISIONS DATE

F.H.W.A. REGION	STATE	PROJECT NO.	SHEET NO.	TOTAL SHEETS	AS BUILT
9	ARIZ.				

030 MA 000



MATCHLINE STA 26+00

## SECTION 3B-2 SELECTED ALTERNATIVE

DESIGN	FMM	DATE	3/15	ARIZONA DEPARTMENT OF TRANSPORTATION INTERMODAL TRANSPORTATION DIVISION <b>ROADWAY DESIGN SERVICES</b> 67TH AVENUE PLAN SHEET STA 12+50 TO 26+00 SECTION 3B-2	<b>L/DCR</b> Review NOT FOR CONSTRUCTION OR RECORDING
DRAWN	FMM,AMC	3/15			
CHECKED	MDS	3/15			
ROUTE		SR 30		4561 E. McDowell Road Phoenix, AZ 85008-4505 Tel: (602) 454-0402 Fax: (602) 454-0403 www.aztec.us	DWG NO. C-07.05 OF
LOCATION		SR 30, SR 303L TO SR 202L			
TRACS NO.		H6876 OIL			

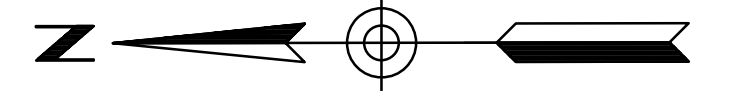
CALL BLUE STAKE CENTER two working days before you dig.  
**602-263-1100**  
 Within Maricopa County  
 OR  
**1-800-STAKE-IT**  
 (782-5348)

SURVEY NO. FINISHED PLANS. DATE. REVISIONS. LOCATION. DATE. REVISIONS. LOCATION. DATE. REVISIONS. LOCATION. DATE. REVISIONS.

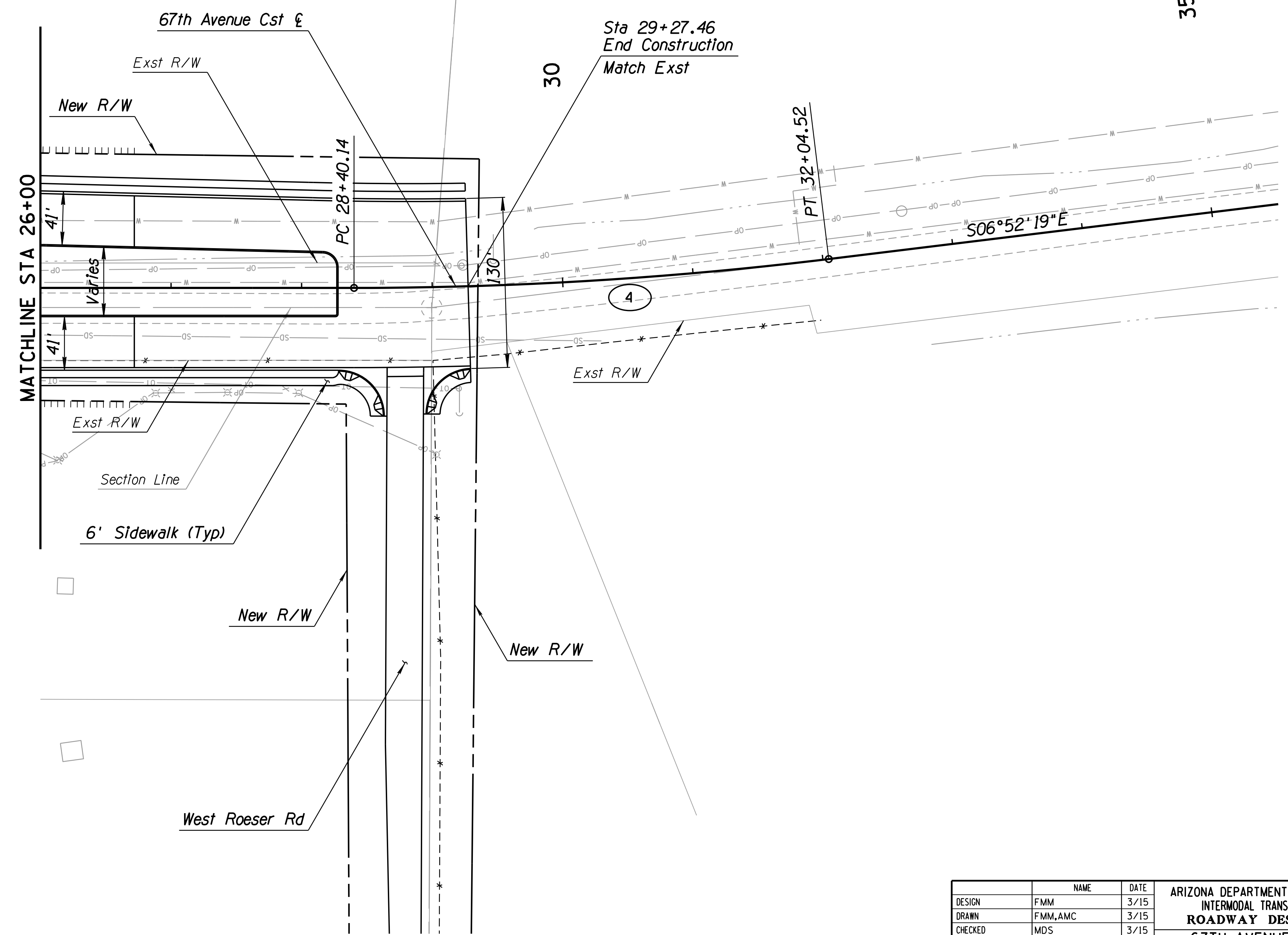
DATE- LOCATION- REVISIONS- FINISHED PLANS- SURVEY NO. DATE- LOCATION- REVISIONS- FINISHED PLANS- SURVEY NO.

F.H.W.A. REGION	STATE	PROJECT NO.	SHEET NO.	TOTAL SHEETS	AS BUILT
9	ARIZ.				

030 MA 000



④  
**CURVE DATA**  
 PI Sta 30+22.56  
 $\Delta = 6^\circ 57' 33''$   
 $D = 1^\circ 54' 35''$   
 $R = 3000.00$   
 $L = 364.38$   
 $T = 182.41$



35

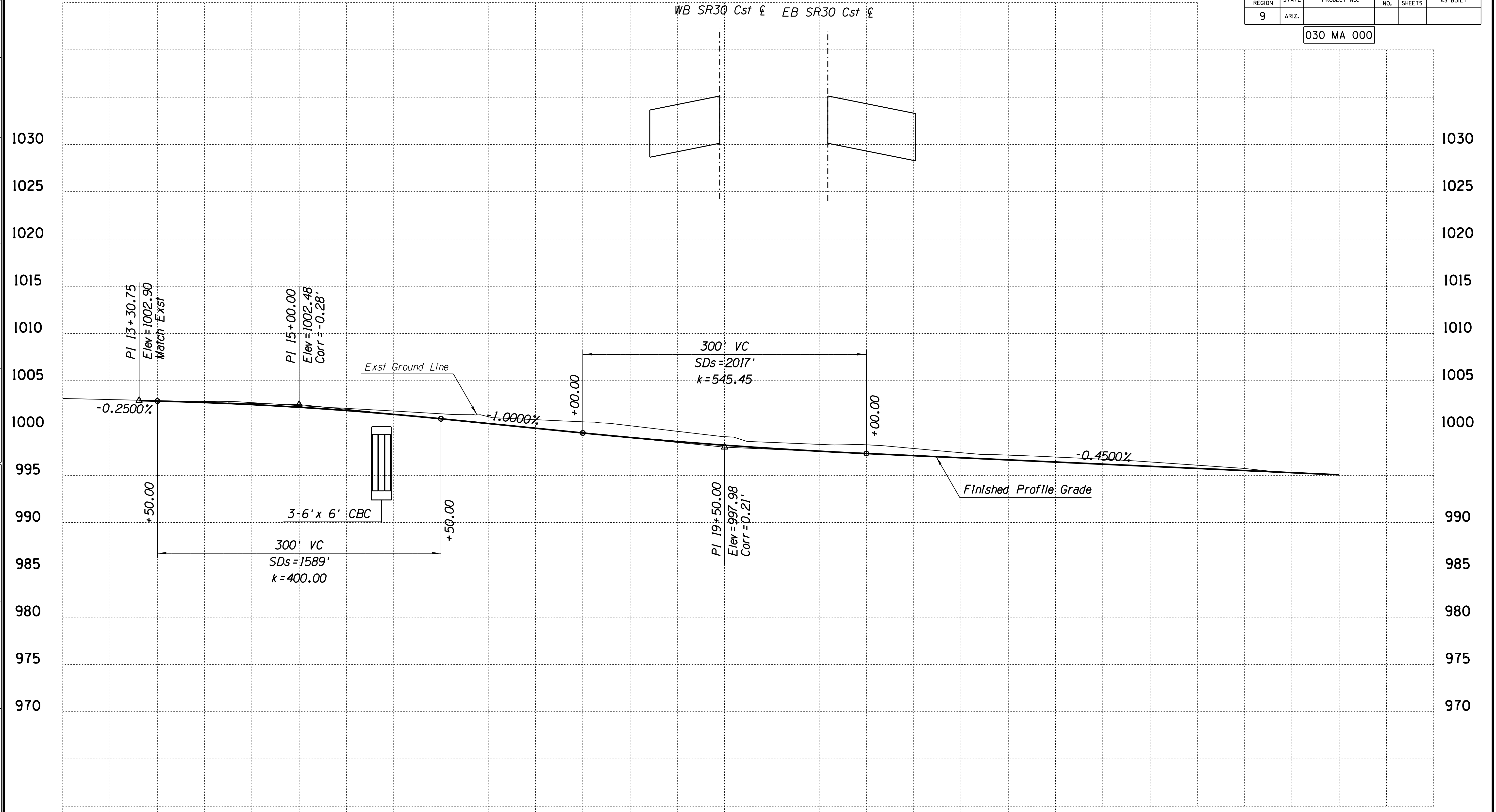
**SECTION 3B-2  
 SELECTED ALTERNATIVE**

DESIGN	FMM	DATE	3/15	ARIZONA DEPARTMENT OF TRANSPORTATION INTERMODAL TRANSPORTATION DIVISION <b>ROADWAY DESIGN SERVICES</b> 67TH AVENUE PLAN SHEET STA 26+00 TO 29+27.46 SECTION 3B-2	<b>L/DCR</b> Review NOT FOR CONSTRUCTION OR RECORDING
DRAWN	FMM,AMC	3/15			
CHECKED	MDS	3/15			
ROUTE	SR 30	LOCATION	SR 30, SR 303L TO SR 202L	DWG NO. C-07.06 TRACS NO. H6876 OIL	

CALL BLUE STAKE CENTER TWO WORKING DAYS BEFORE YOU DIG.  
**602-263-1100**  
 Within Maricopa County OR  
**1-800-STAKE-IT**  
 (782-5348)

F.H.W.A. REGION	STATE	PROJECT NO.	SHEET NO.	TOTAL SHEETS	AS BUILT
9	ARIZ.				

030 MA 000



## SECTION 3B-2 SELECTED ALTERNATIVE

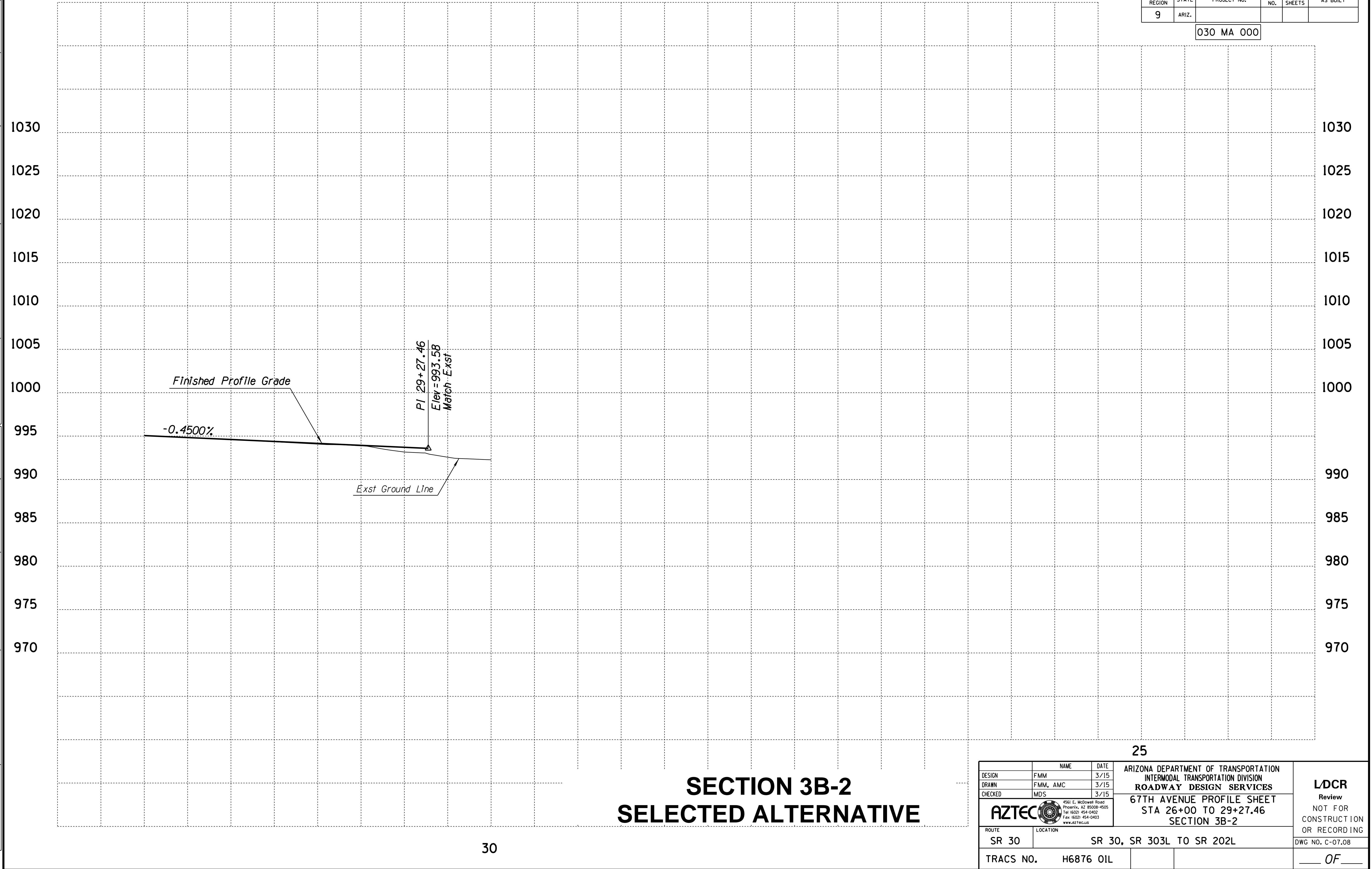
25

DESIGN	FMM	DATE	3/15	ARIZONA DEPARTMENT OF TRANSPORTATION INTERMODAL TRANSPORTATION DIVISION <b>ROADWAY DESIGN SERVICES</b> 67TH AVENUE PROFILE SHEET STA 13+30.75 TO 26+00 SECTION 3B-2	<b>L/DCR</b> Review NOT FOR CONSTRUCTION OR RECORDING
DRAWN	FMM, AMC	3/15			
CHECKED	MDS	3/15			
ROUTE		LOCATION		DWG NO. C-07.07 OF	
SR 30		SR 30, SR 303L TO SR 202L			
TRACS NO.		H6876 OIL			

SURVEY NO. FINISHED PLANS DATE REVISIONS LOCATION DATE FINISHED PLANS SURVEY NO. REVISIONS LOCATION DATE

F.H.W.A. REGION	STATE	PROJECT NO.	SHEET NO.	TOTAL SHEETS	AS BUILT
9	ARIZ.				

030 MA 000



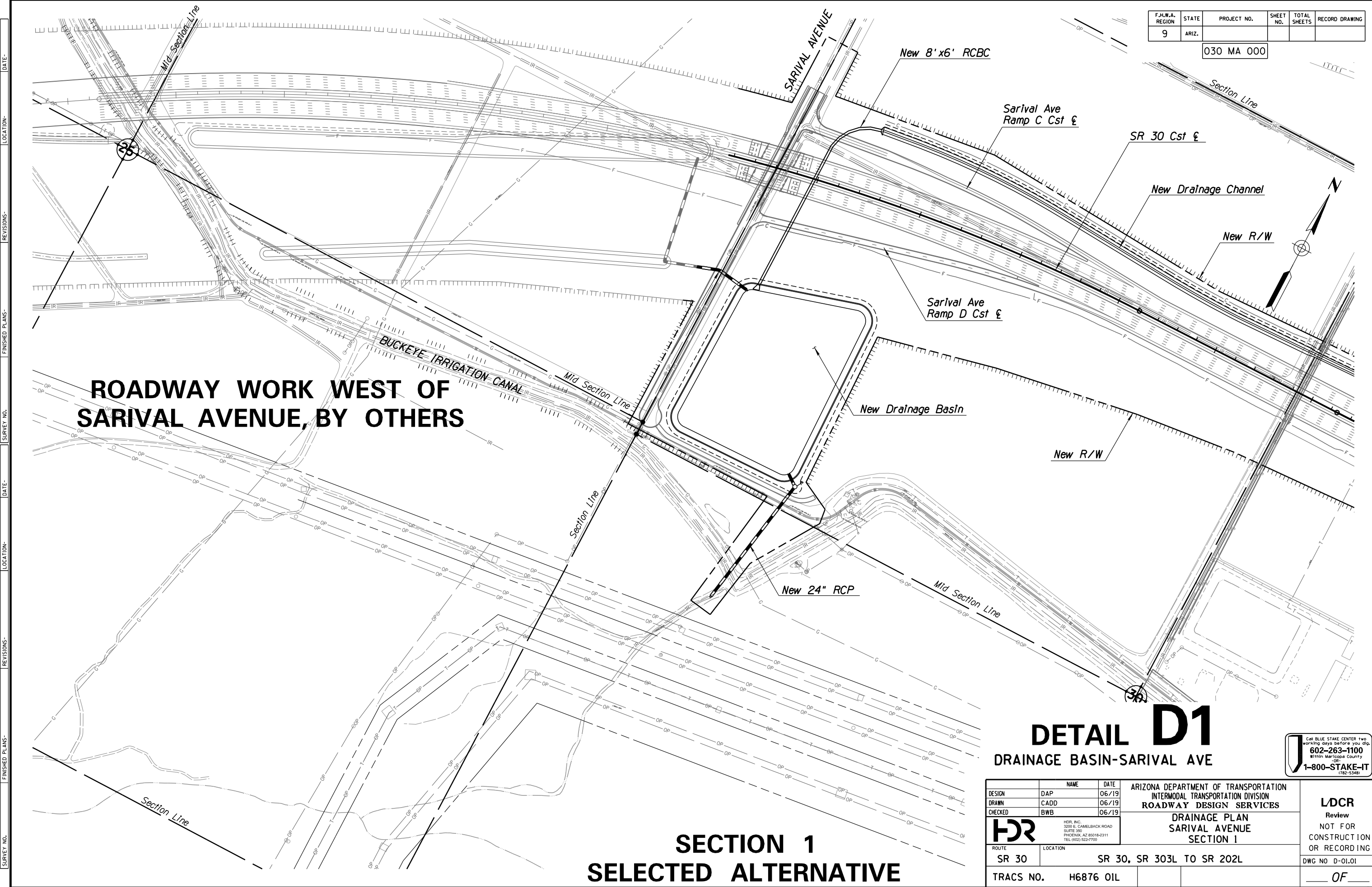
## SECTION 3B-2 SELECTED ALTERNATIVE

DESIGN	FMM	DATE	3/15	ARIZONA DEPARTMENT OF TRANSPORTATION INTERMODAL TRANSPORTATION DIVISION <b>ROADWAY DESIGN SERVICES</b> 67TH AVENUE PROFILE SHEET STA 26+00 TO 29+27.46 SECTION 3B-2	<b>L/DCR</b> Review NOT FOR CONSTRUCTION OR RECORDING
DRAWN	FMM, AMC	3/15			
CHECKED	MDS	3/15			
<b>AZTEC</b>		<small>4561 E. McDowell Road Phoenix, AZ 85008-4505 Tel: (602) 454-0400 Fax: (602) 454-0403 www.aztec.us</small>			
ROUTE	SR 30	LOCATION	SR 30, SR 303L TO SR 202L	DWG NO. C-07.08	
TRACS NO.	H6876 OIL				OF

SURVEY NO. FINISHED PLANS REVISIONS LOCATION DATE SURVEY NO. FINISHED PLANS REVISIONS LOCATION DATE SURVEY NO. FINISHED PLANS REVISIONS LOCATION DATE

F.H.W.A. REGION	STATE	PROJECT NO.	SHEET NO.	TOTAL SHEETS	RECORD DRAWING
9	ARIZ.				

030 MA 000



**ROADWAY WORK WEST OF SARIVAL AVENUE, BY OTHERS**

**DETAIL D1**  
DRAINAGE BASIN-SARIVAL AVE

**SECTION 1**  
**SELECTED ALTERNATIVE**

CALL BLUE STAKE CENTER two working days before you dig.  
**602-263-1100**  
Within Maricopa County  
**1-800-STAKE-IT**  
(782-5348)

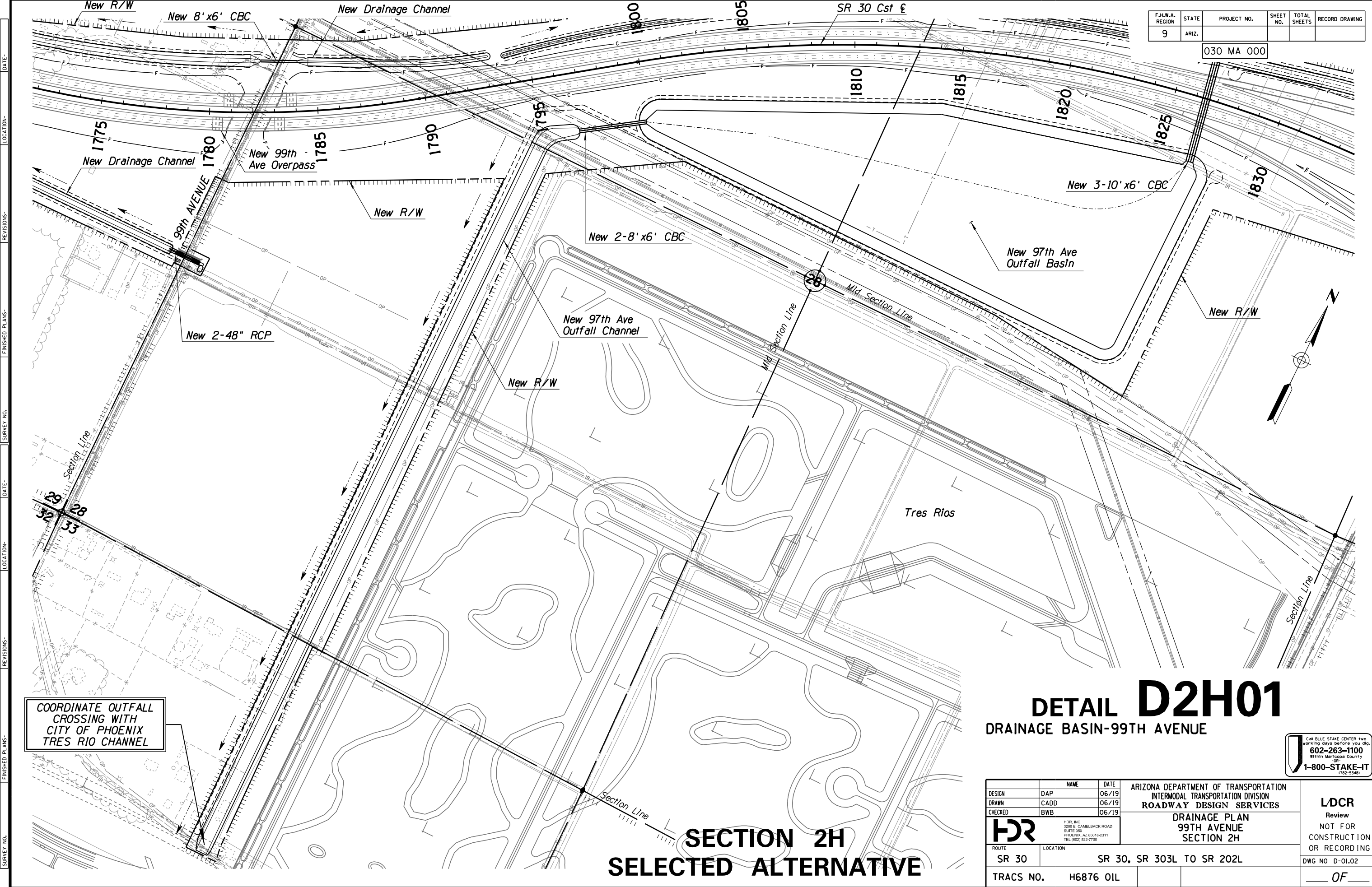
DESIGN	DAP	DATE	06/19	ARIZONA DEPARTMENT OF TRANSPORTATION INTERMODAL TRANSPORTATION DIVISION ROADWAY DESIGN SERVICES	<b>LDCR</b> Review NOT FOR CONSTRUCTION OR RECORDING DWG NO D-01.01
DRAWN	CADD	DATE	06/19		
CHECKED	BWB	DATE	06/19		
<b>DR</b>		HDR, INC. 3200 E. GAMBELBACK ROAD SUITE 300 PHOENIX, AZ 85018-2311 TEL (602) 922-7700		<b>DRAINAGE PLAN</b> SARIVAL AVENUE SECTION 1	
ROUTE	SR 30	LOCATION	SR 30, SR 303L TO SR 202L		
TRACS NO.	H6876 OIL				

DATE- LOCATION- REVISIONS- FINISHED PLANS- SURVEY NO. DATE- LOCATION- REVISIONS- FINISHED PLANS- SURVEY NO.



F.H.W.A. REGION	STATE	PROJECT NO.	SHEET NO.	TOTAL SHEETS	RECORD DRAWING
9	ARIZ.				

030 MA 000



COORDINATE OUTFALL CROSSING WITH CITY OF PHOENIX TRES RIO CHANNEL

# DETAIL D2H01

## DRAINAGE BASIN-99TH AVENUE

CALL BLUE STAKE CENTER two working days before you dig.  
**602-263-1100**  
 Within Maricopa County  
 OR  
**1-800-STAKE-IT**  
 (782-5348)

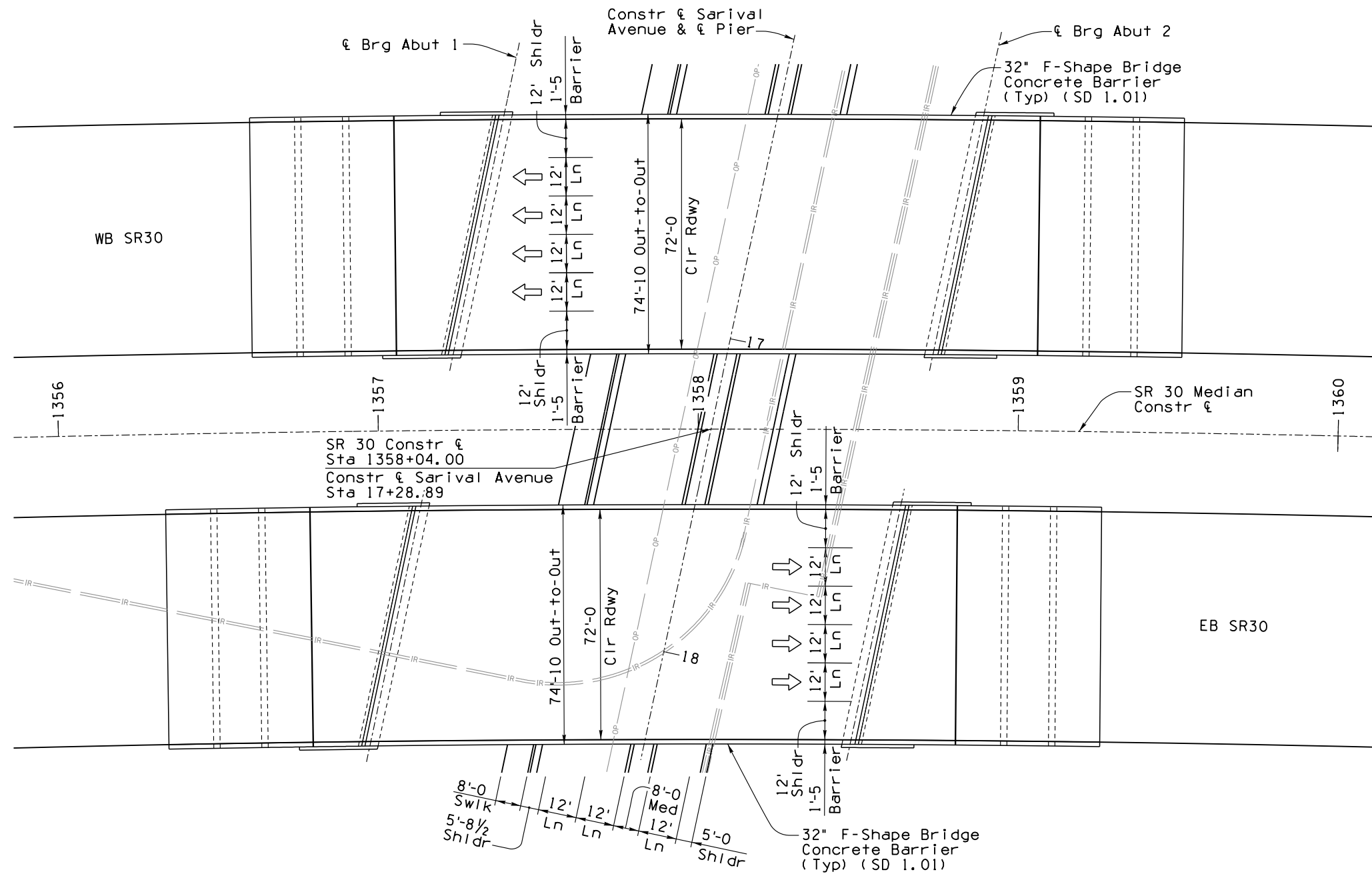
DESIGN	DAP	DATE	06/19	ARIZONA DEPARTMENT OF TRANSPORTATION INTERMODAL TRANSPORTATION DIVISION ROADWAY DESIGN SERVICES	<b>LDCR</b> Review NOT FOR CONSTRUCTION OR RECORDING
DRAWN	CADD	DATE	06/19		
CHECKED	BWB	DATE	06/19		
<b>DR</b>		HOR, INC. 3200 E. GAMBELBACK ROAD SUITE 300 PHOENIX, AZ 85018-2311 TEL (602) 922-7700		DRAINAGE PLAN 99TH AVENUE SECTION 2H	
ROUTE	SR 30	LOCATION	SR 30, SR 303L TO SR 202L	DWG NO D-01.02	
TRACS NO.	H6876 OIL	OF			

### SECTION 2H SELECTED ALTERNATIVE

DATE: LOCATION: REVISIONS: FINISHED PLANS: SURVEY NO. DATE: LOCATION: REVISIONS: FINISHED PLANS: SURVEY NO.

F.H.W.A. REGION	STATE	PROJECT NO.	SHEET NO.	TOTAL SHEETS	RECORD DRAWING
9	ARIZ.				

030 MA 000



# SECTION 1 SELECTED ALTERNATIVE

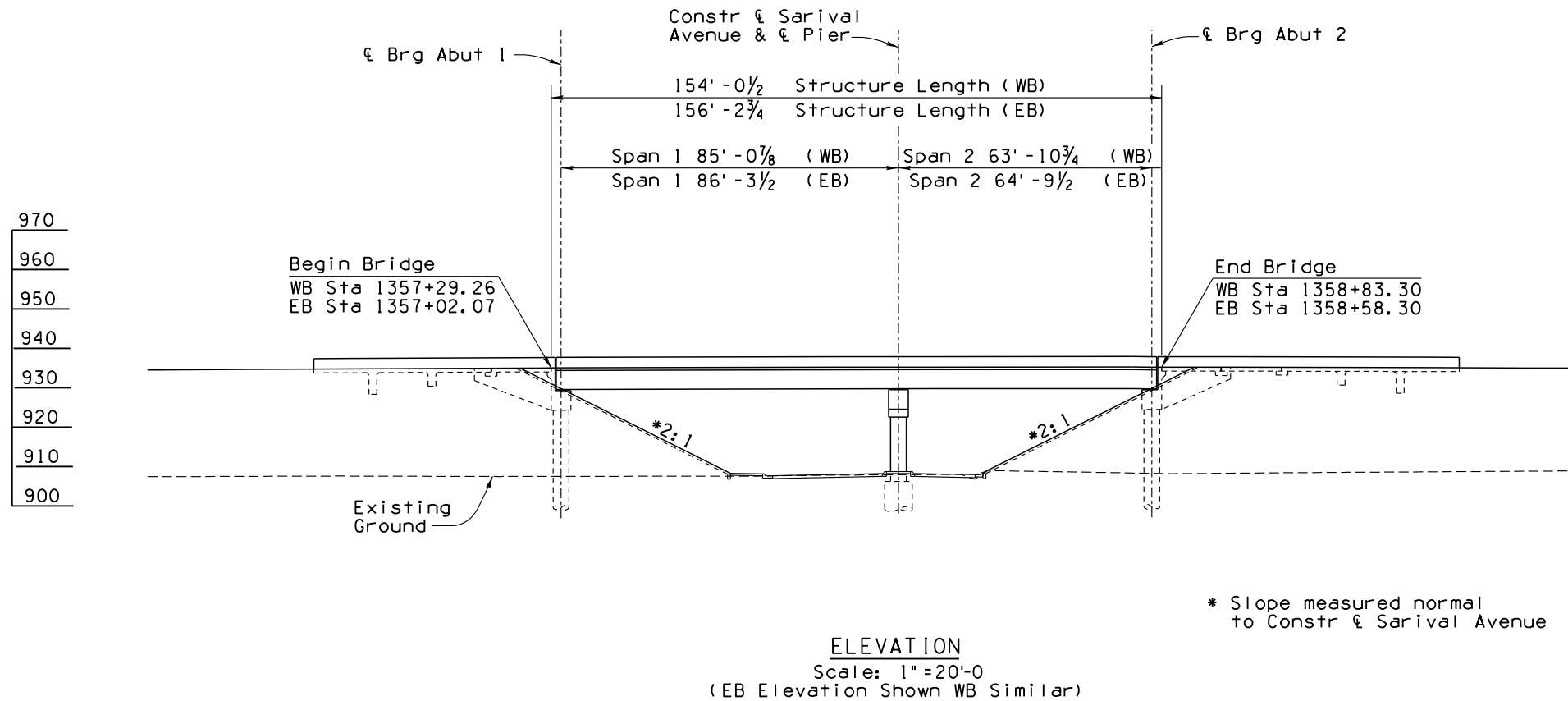
PLAN  
Scale: 1" = 20'-0"  
Skew: 12° 00' 21"

DESIGN	JPH	DATE	6/19	ARIZONA DEPARTMENT OF TRANSPORTATION INTERMODAL TRANSPORTATION DIVISION BRIDGE GROUP	L/DCR Review NOT FOR CONSTRUCTION OR RECORDING
DRAWN	JW	DATE	6/19		
CHECKED	KRA	DATE	6/19		
<b>HDR</b>		HDR, INC. 3200 E. CAMELBACK ROAD SUITE 300 PHOENIX, AZ 85018-2311 TEL: (602) 522-7700		STA 1357+ SARIVAL AVENUE TIOP WB & EB	
SR 30	ROUTE	MILEPOST	STRUCTURE NO.	SR 30, SR 303L TO SR 202L	DWG. NO. S-01.01
TRACS NO.	H6876 OIL			OF	

NO. 1 DESCRIPTION OF REVISION  
MADE BY  
DATE  
NO. 2 DESCRIPTION OF REVISION  
MADE BY  
DATE

F.H.W.A. REGION	STATE	PROJECT NO.	SHEET NO.	TOTAL SHEETS	RECORD DRAWING
9	ARIZ.				

030 MA 000



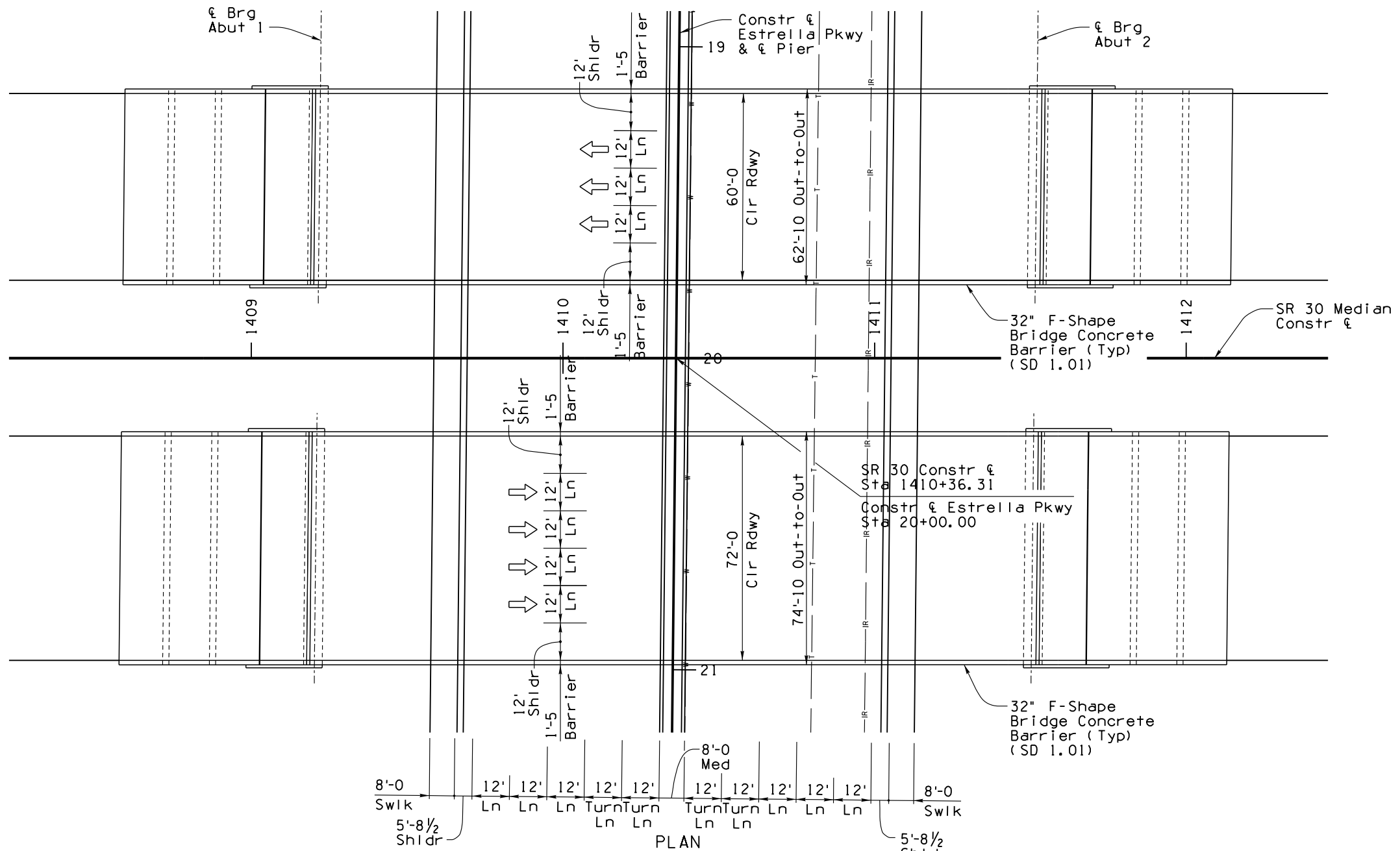
## SECTION 1 SELECTED ALTERNATIVE

DESIGN	JPH	DATE	6/19	ARIZONA DEPARTMENT OF TRANSPORTATION INTERMODAL TRANSPORTATION DIVISION BRIDGE GROUP	<b>L/DCR</b> Review NOT FOR CONSTRUCTION OR RECORDING
DRAWN	JW	DATE	6/19		
CHECKED	KRA	DATE	6/19		
<b>HDR</b>		HDR, INC. 3200 E. CAMELBACK ROAD SUITE 300 PHOENIX, AZ 85018-2311 TEL: (602) 522-7700		STA 1357+ SARIVAL AVENUE TIOP WB & EB	
SR 30				SR 30, SR 303L TO SR 202L	
ROUTE	MILEPOST	STRUCTURE NO.		DWG. NO. S-01.02	
TRACS NO.	H6876 OIL		___ OF ___		

NO. 1 DESCRIPTION OF REVISION  
NO. 2 DESCRIPTION OF REVISION  
DATE  
MADE BY

F.H.W.A. REGION	STATE	PROJECT NO.	SHEET NO.	TOTAL SHEETS	RECORD DRAWING
9	ARIZ.				

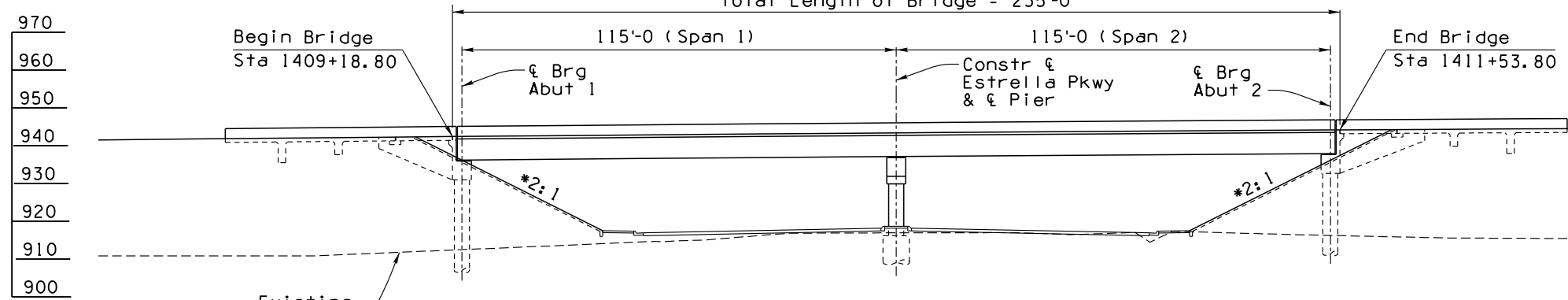
030 MA 000



8'-0 Swik  
5'-8 1/2 Shldr  
12' Ln Ln Ln Turn Ln Turn Ln Ln Ln  
12' 12' 12' 12' 12' 12' 12' 12' 12'  
8'-0 Swik

**PLAN**  
Scale: 1" = 20'-0"  
Skew: 0° 35' 59"

Total Length of Bridge = 235'-0"



**ELEVATION**  
Scale: 1" = 20'-0"  
(EB Elevation Shown WB Similar)

\* Slope measured perpendicular to Rdwy.

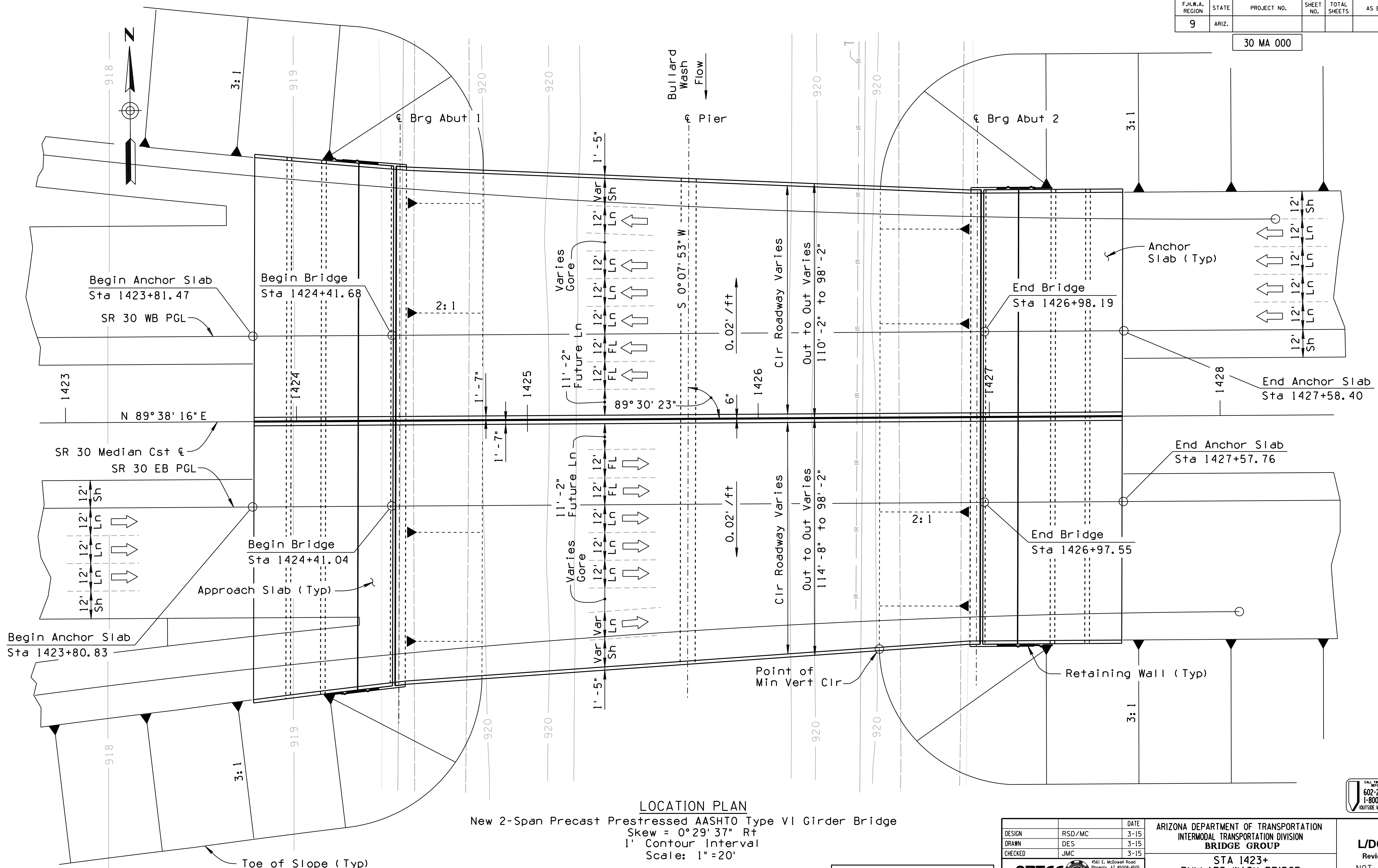
# SECTION 1 SELECTED ALTERNATIVE

DESIGN	JPH	DATE	6/19	ARIZONA DEPARTMENT OF TRANSPORTATION INTERMODAL TRANSPORTATION DIVISION BRIDGE GROUP	<b>L/DCR</b> Review NOT FOR CONSTRUCTION OR RECORDING
DRAWN	JW	DATE	6/19		
CHECKED	KRA	DATE	6/19		
<b>SR 30</b>		ROUTE MILEPOST		STRUCTURE NO.	
SR 30, SR 303L TO SR 202L		SR 30, SR 303L TO SR 202L		DWG. NO. S-01.03	
TRACS NO.		H6876 OIL		OF	

NO. 1 DESCRIPTION OF REVISION  
NO. 2 DESCRIPTION OF REVISION

F.H.W.A. REGION	STATE	PROJECT NO.	SHEET NO.	TOTAL SHEETS	AS BUILT
9	ARIZ.				

30 MA 000



**LOCATION PLAN**

New 2-Span Precast Prestressed AASHTO Type VI Girder Bridge  
 Skew = 0°29'37" Rt  
 1' Contour Interval  
 Scale: 1" = 20'

**SECTION 1  
 SELECTED ALTERNATIVE**

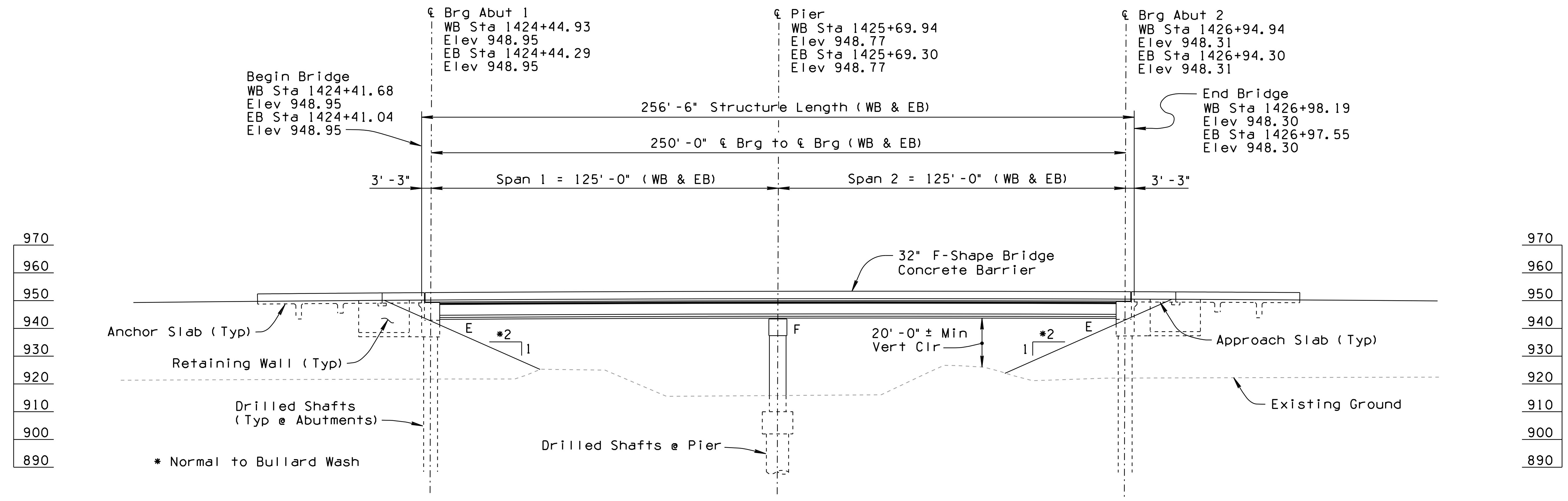
**CAUTION:**  
 Overhead High Voltage  
 Power Lines to Remain  
 in Service

DESIGN	RSD/MC	DATE	3-15	ARIZONA DEPARTMENT OF TRANSPORTATION INTERMODAL TRANSPORTATION DIVISION <b>BRIDGE GROUP</b>	<b>L/DCR</b> Review NOT FOR CONSTRUCTION OR RECORDING
DRAWN	DES	DATE	3-15		
CHECKED	JMC	DATE	3-15		
SR 30		MILEPOST		LOCATION	
ROUTE		STRUCTURE NO.		SR 30 (SR 303L to SR 202L)	
TRACS NO. H6876 OIL				DWG. NO. S-01.04	
				OF	



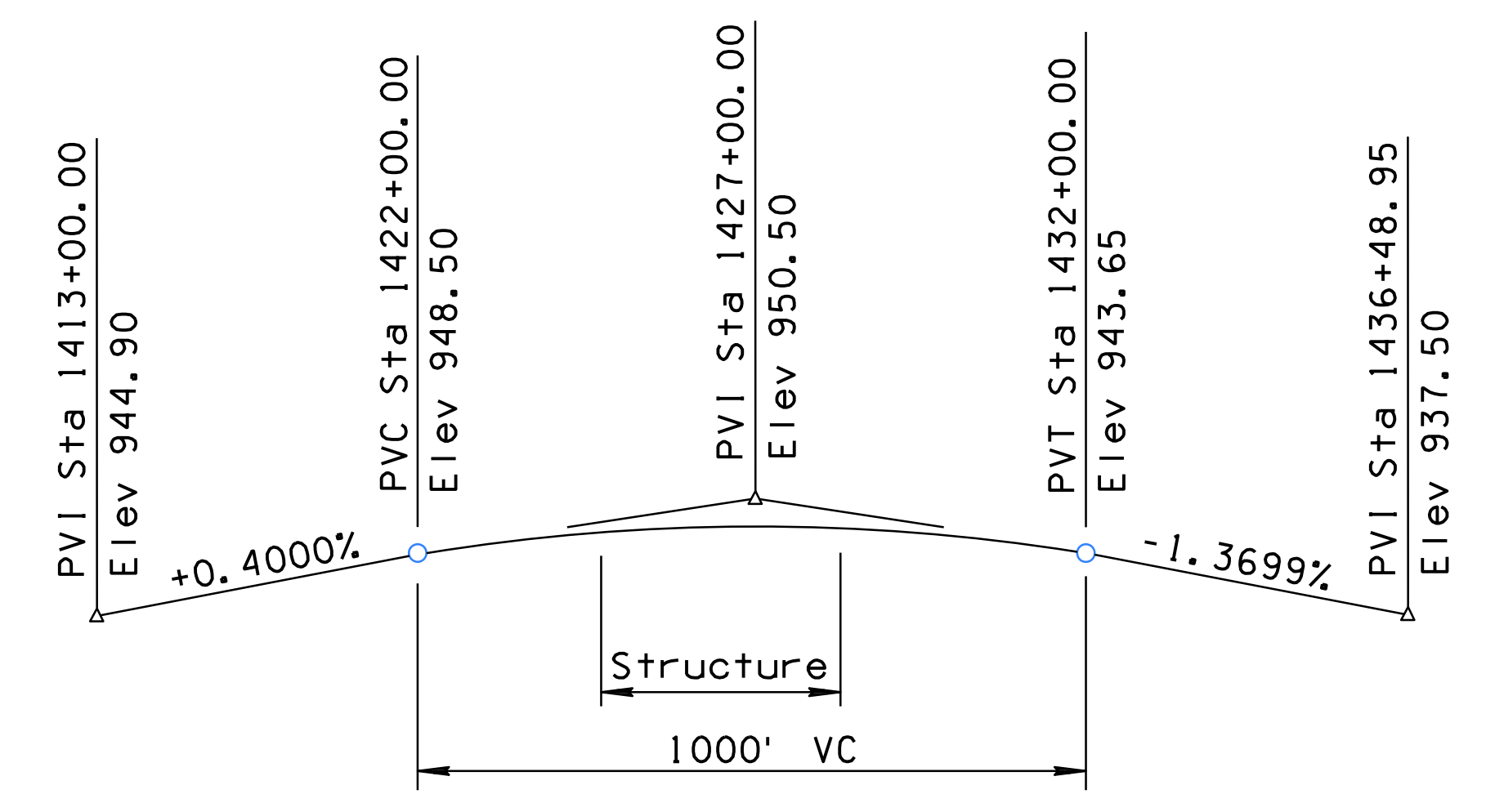
F.H.W.A. REGION	STATE	PROJECT NO.	SHEET NO.	TOTAL SHEETS	AS BUILT
9	ARIZ.				

30 MA 000



ELEVATION  
Scale: 1" = 20'

NOTE:  
Bridge length and elevations measured at SR 30 WB and EB PGL. Stations measured along SR 30 Med Cst  $\epsilon$ .



PROFILE GRADE - SR 30 WB & EB  
No Scale

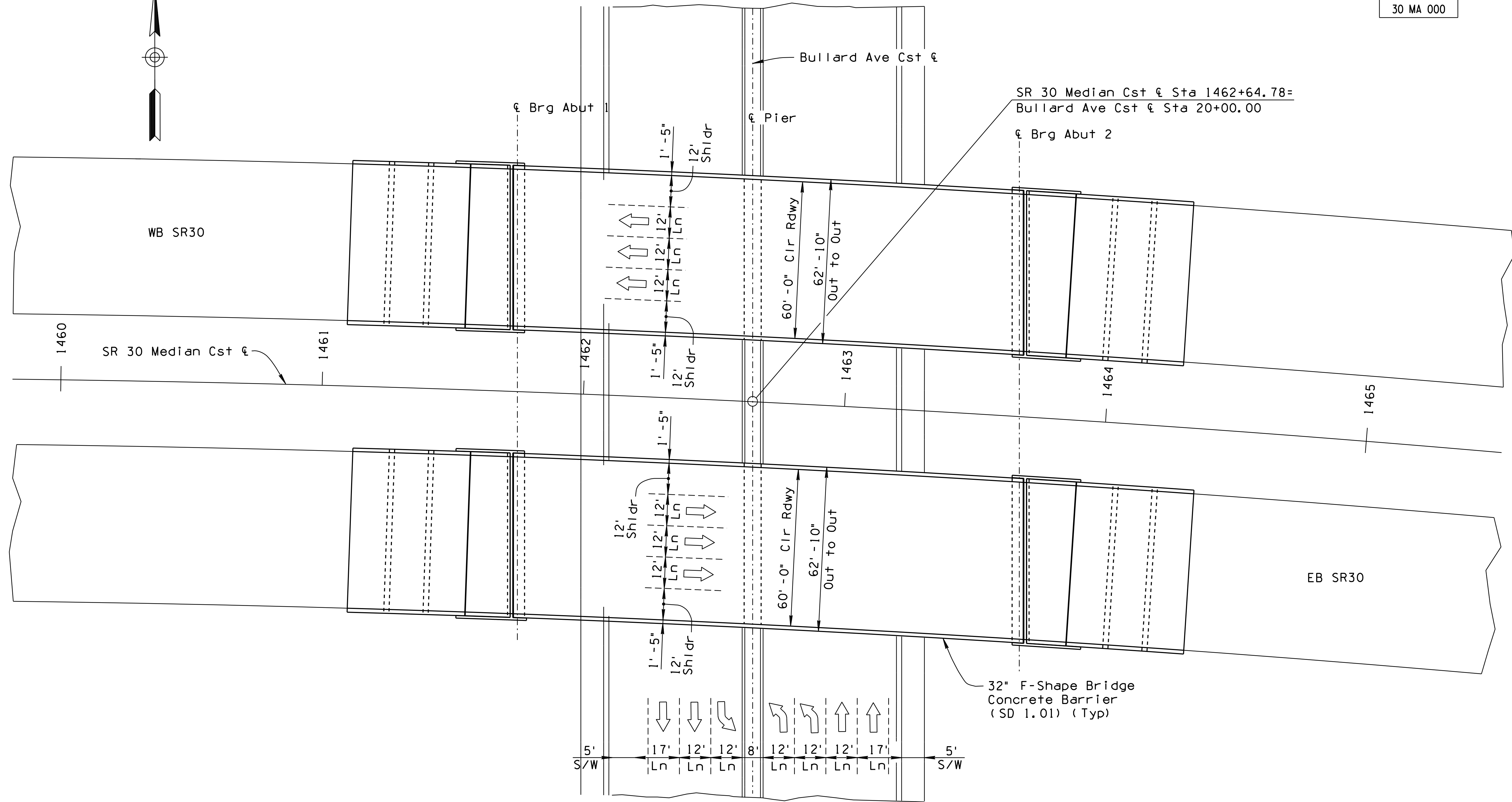
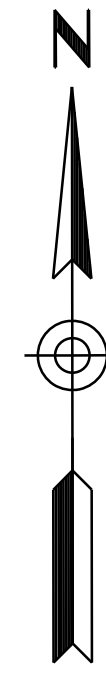
# SECTION 1 SELECTED ALTERNATIVE

DESIGN	RSD/MC	DATE	3-15	ARIZONA DEPARTMENT OF TRANSPORTATION INTERMODAL TRANSPORTATION DIVISION <b>BRIDGE GROUP</b>	<b>L/DCR</b> Review NOT FOR CONSTRUCTION OR RECORDING
DRAWN	DES	DATE	3-15		
CHECKED	JMC	DATE	3-15		
<b>AZTEC</b>		4561 E. McDowell Road Phoenix, AZ 85008-6505 Tel: 602-454-0402 Fax: 602-454-0403 www.aztecus.com		STA 1423+ BULLARD WASH BRIDGE ELEVATION	
SR 30	ROUTE	MILEPOST	STRUCTURE NO.	SR 30 (SR 303L to SR 202L)	
TRACS NO. H6876 OIL				DWG. NO. S-01.05	
				OF	



F.H.W.A. REGION	STATE	PROJECT NO.	SHEET NO.	TOTAL SHEETS	AS BUILT
9	ARIZ.				

30 MA 000



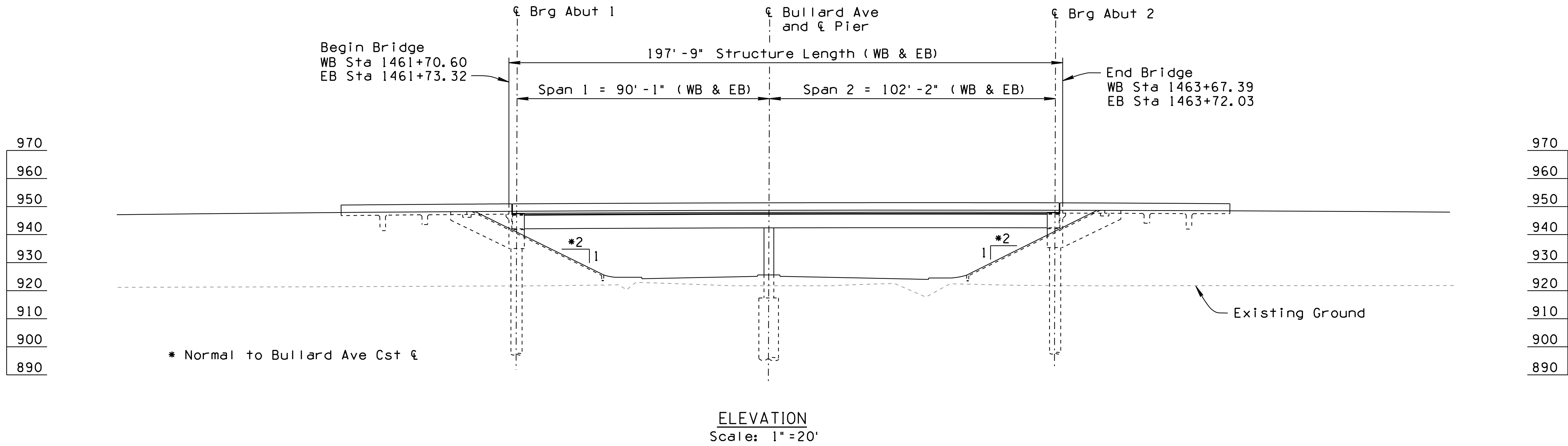
PLAN  
 Scale: 1" = 20'  
 Skew = 2° 50' 58" Lt

## SECTION 2-H SELECTED ALTERNATIVE

DESIGN	MC	DATE	3-15	ARIZONA DEPARTMENT OF TRANSPORTATION INTERMODAL TRANSPORTATION DIVISION BRIDGE GROUP	L/DCR Review NOT FOR CONSTRUCTION OR RECORDING
DRAWN	DES	DATE	3-15		
CHECKED	JMC	DATE	3-15		
SR 30		4561 E. McDowell Road Phoenix, AZ 85008-6505 Tel: 602-454-0402 Fax: 602-454-0403 www.aztec.us		STA 1461+ BULLARD AVENUE TIOP WB & EB	DWG. NO. S-02.01 OF
ROUTE	MILEPOST	STRUCTURE NO.		SR 30, SR 303L TO SR 202L	
TRACS NO. H6876 OIL					

F.H.W.A. REGION	STATE	PROJECT NO.	SHEET NO.	TOTAL SHEETS	AS BUILT
9	ARIZ.				

30 MA 000



NO. 1 | DESCRIPTION OF REVISION | DATE | MADE BY

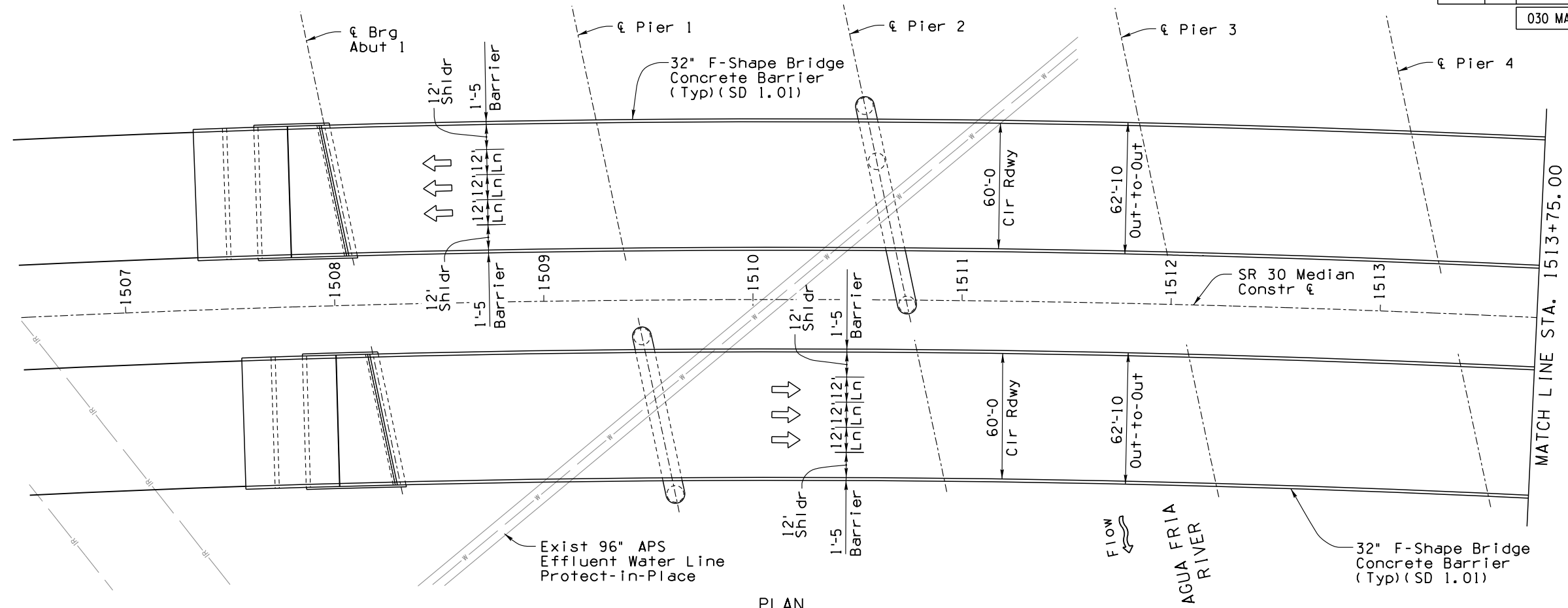
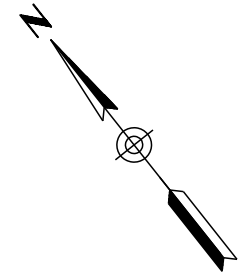
## SECTION 2-H SELECTED ALTERNATIVE

DESIGN	MC	DATE	3-15	ARIZONA DEPARTMENT OF TRANSPORTATION INTERMODAL TRANSPORTATION DIVISION <b>BRIDGE GROUP</b>	<b>L/DCR</b> Review NOT FOR CONSTRUCTION OR RECORDING
DRAWN	DES	DATE	3-15		
CHECKED	JMC	DATE	3-15		
<b>AZTEC</b>		4561 E. McDowell Road Phoenix, AZ 85008-4505 Tel: 602-454-0402 Fax: 602-454-0403 www.aztecus.com		STA 1461+ BULLARD AVENUE TIOP WB & EB	
SR 30	ROUTE	MILEPOST	STRUCTURE NO.	LOCATION SR 30, SR 303L TO SR 202L	
TRACS NO. H6876 OIL				DWG. NO. S-02.02 ___ OF ___	

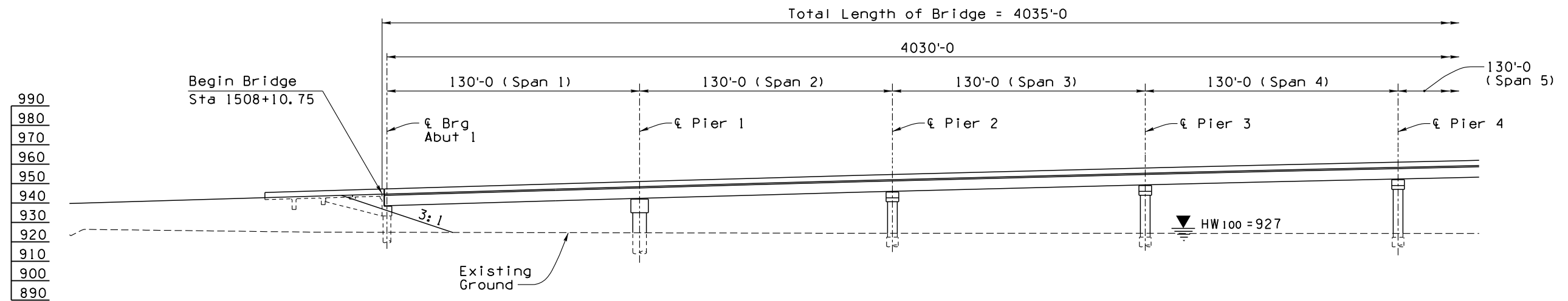


F.H.W.A. REGION	STATE	PROJECT NO.	SHEET NO.	TOTAL SHEETS	RECORD DRAWING
9	ARIZ.				

030 MA 000



**PLAN**  
Scale: 1" = 30'-0"  
Skew: Varies



**ELEVATION**  
Scale: 1" = 30'-0"  
(EB Elevation Shown WB Similar)

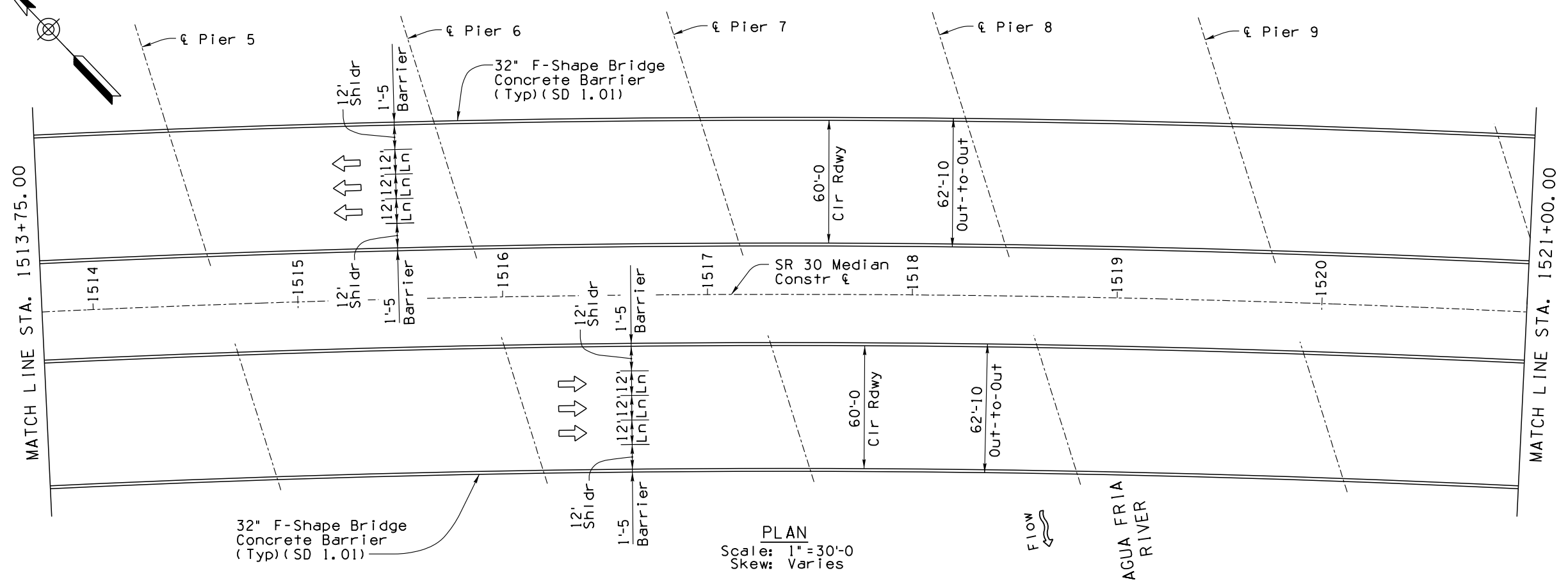
# SECTION 2H SELECTED ALTERNATIVE

DESIGN	JPH	DATE	6/19	ARIZONA DEPARTMENT OF TRANSPORTATION INTERMODAL TRANSPORTATION DIVISION BRIDGE GROUP	<b>L/DCR</b> Review NOT FOR CONSTRUCTION OR RECORDING
DRAWN	JW	DATE	6/19		
CHECKED	KRA	DATE	6/19		
<b>HDR</b>		HDR, INC. 3200 E. CAMELBACK ROAD SUITE 300 PHOENIX, AZ 85018-2311 TEL: (602) 522-7700		STA 1508+ AGUA FRIA RIVER BRIDGE	
SR 30	ROUTE	MILEPOST	STRUCTURE NO.	SR 30, SR 303L TO SR 202L	DWG. NO. S-02.03
TRACS NO.	H6876 OIL			OF	

NO. 1 DESCRIPTION OF REVISION  
MADE BY  
DATE  
NO. 2 DESCRIPTION OF REVISION  
MADE BY  
DATE

F.H.W.A. REGION	STATE	PROJECT NO.	SHEET NO.	TOTAL SHEETS	RECORD DRAWING
9	ARIZ.				

030 MA 000



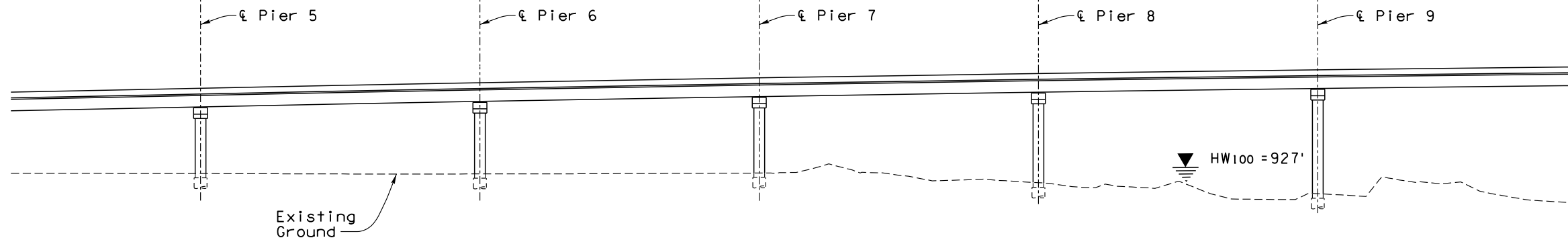
PLAN  
Scale: 1" = 30'-0"  
Skew: Varies

Total Length of Bridge = 4035'-0"

4030'-0"

130'-0" (Span 5)    130'-0" (Span 6)    130'-0" (Span 7)    130'-0" (Span 8)    130'-0" (Span 9)    130'-0" (Span 10)

990
980
970
960
950
940
930
920
910
900
890



ELEVATION  
Scale: 1" = 30'-0"  
(EB Elevation Shown WB Similar)

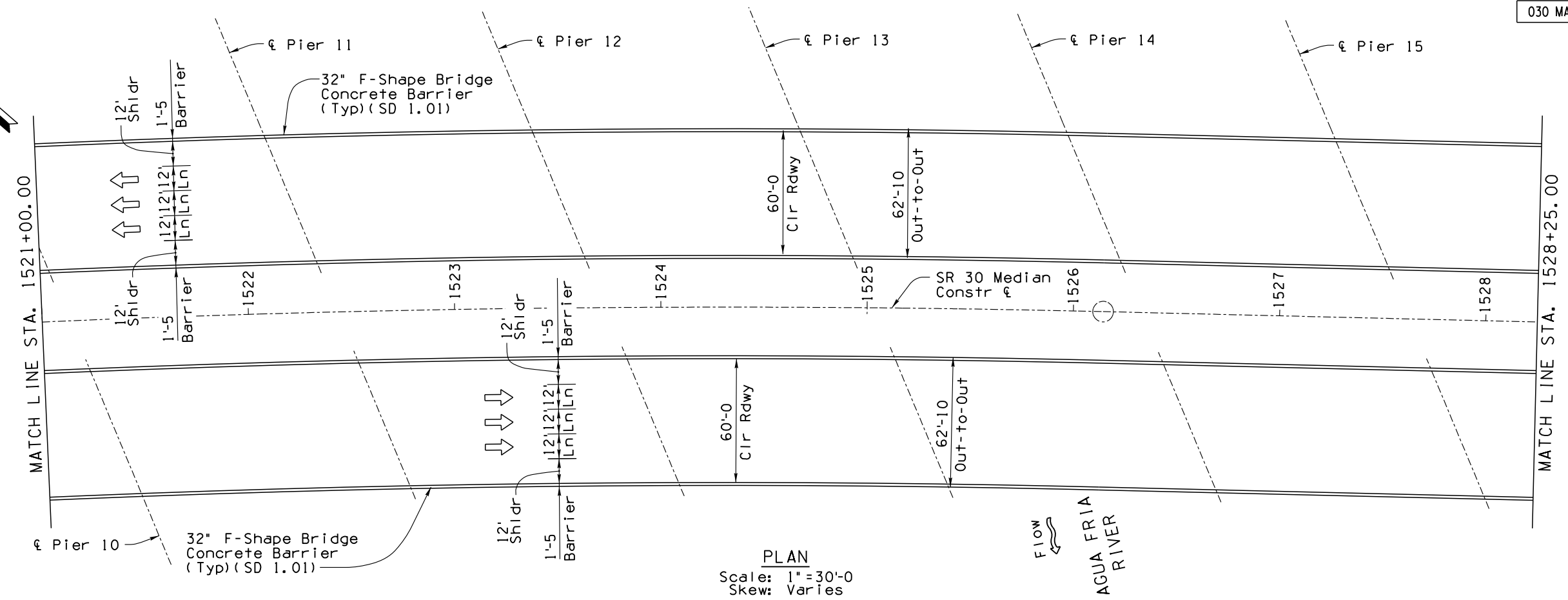
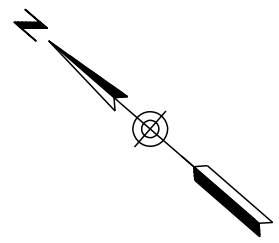
# SECTION 2H SELECTED ALTERNATIVE

DESIGN		JPH	6/19	ARIZONA DEPARTMENT OF TRANSPORTATION INTERMODAL TRANSPORTATION DIVISION BRIDGE GROUP	L/DCR Review NOT FOR CONSTRUCTION OR RECORDING
DRAWN		JW	6/19		
CHECKED		KRA	6/19		
SR 30		ROUTE MILEPOST		STA 1508+ AGUA FRIA RIVER BRIDGE	SR 30, SR 303L TO SR 202L
TRACS NO.		H6876 OIL			

NO. 1 DESCRIPTION OF REVISION  
NO. 2 DESCRIPTION OF REVISION  
MADE BY  
DATE  
NO. 1 DESCRIPTION OF REVISION  
NO. 2 DESCRIPTION OF REVISION  
MADE BY  
DATE

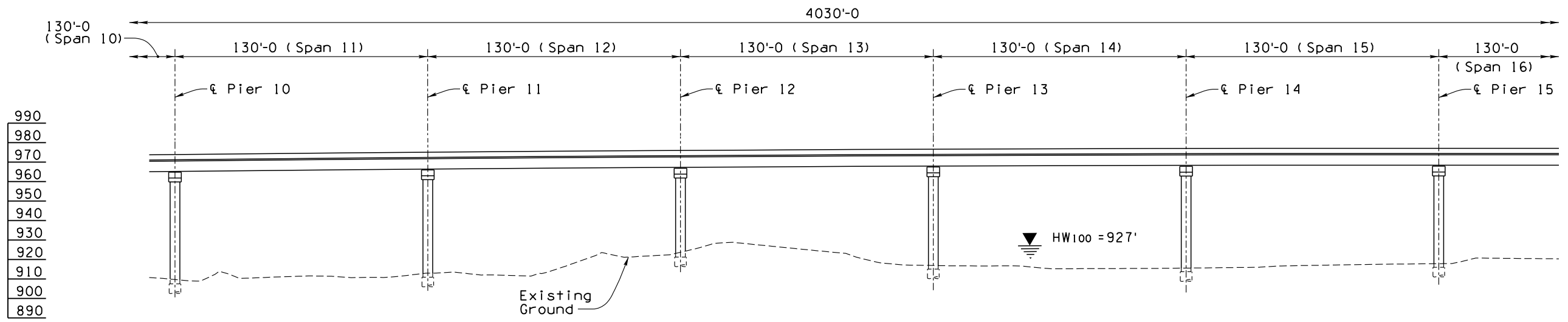
F.H.W.A. REGION	STATE	PROJECT NO.	SHEET NO.	TOTAL SHEETS	RECORD DRAWING
9	ARIZ.				

030 MA 000



**PLAN**  
Scale: 1" = 30'-0"  
Skew: Varies

Total Length of Bridge = 4035'-0"



**ELEVATION**  
Scale: 1" = 30'-0"  
(EB Elevation Shown WB Similar)

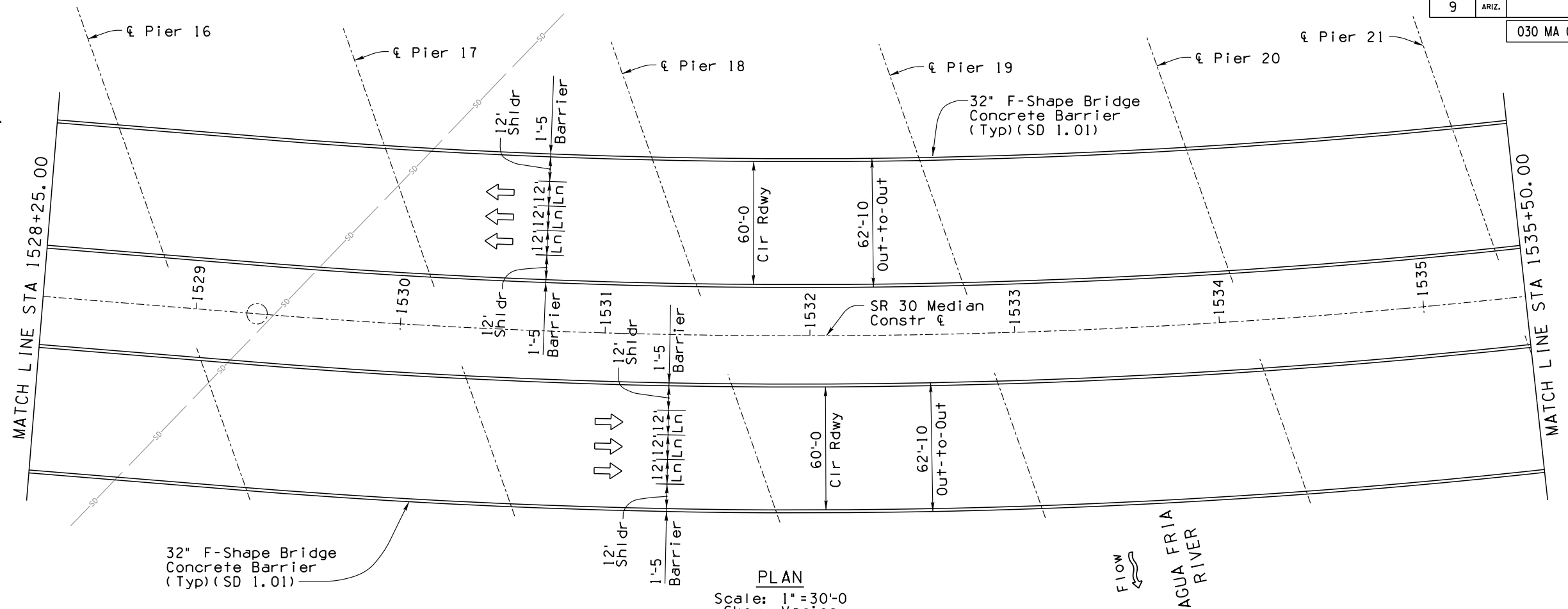
# SECTION 2H SELECTED ALTERNATIVE

DESIGN		NAME	DATE	ARIZONA DEPARTMENT OF TRANSPORTATION INTERMODAL TRANSPORTATION DIVISION <b>BRIDGE GROUP</b>	<b>L/DCR</b> Review NOT FOR CONSTRUCTION OR RECORDING
DRAWN			6/19		
CHECKED			6/19		
SR 30		HDR, INC. 3200 E. CAMELBACK ROAD SUITE 300 PHOENIX, AZ 85018-2311 TEL: (602) 522-7700		STA 1508+ AGUA FRIA RIVER BRIDGE	
ROUTE	MILEPOST	STRUCTURE NO.		SR 30, SR 303L TO SR 202L	DWG. NO. S-02.05
TRACS NO.		H6876 OIL		___ OF ___	

NO. 1 DESCRIPTION OF REVISION  
NO. 2 DESCRIPTION OF REVISION  
MADE BY  
DATE  
NO. 1 DESCRIPTION OF REVISION  
NO. 2 DESCRIPTION OF REVISION  
MADE BY  
DATE

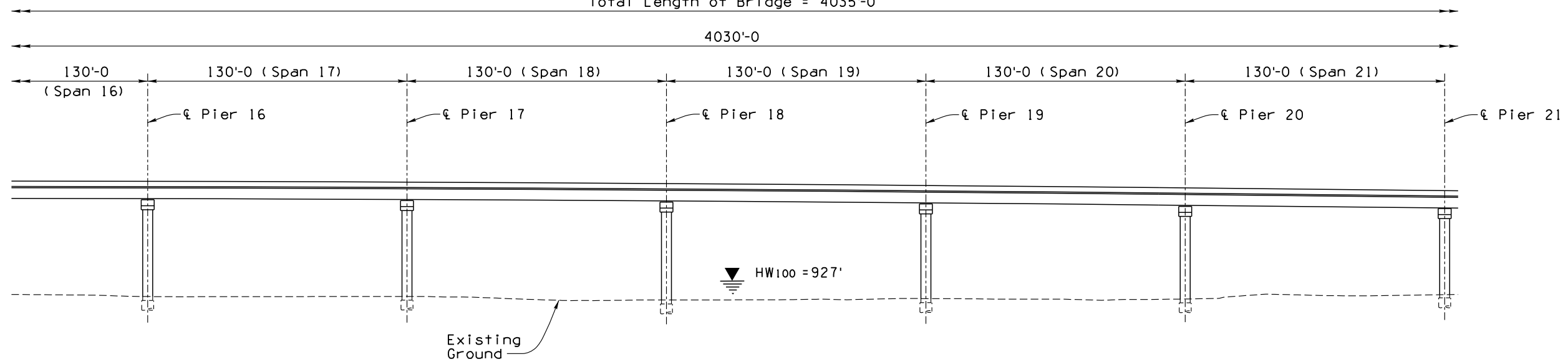
F.H.W.A. REGION	STATE	PROJECT NO.	SHEET NO.	TOTAL SHEETS	RECORD DRAWING
9	ARIZ.				

030 MA 000



**PLAN**  
Scale: 1" = 30'-0"  
Skew: Varies

Total Length of Bridge = 4035'-0"



**ELEVATION**  
Scale: 1" = 30'-0"  
(EB Elevation Shown WB Similar)

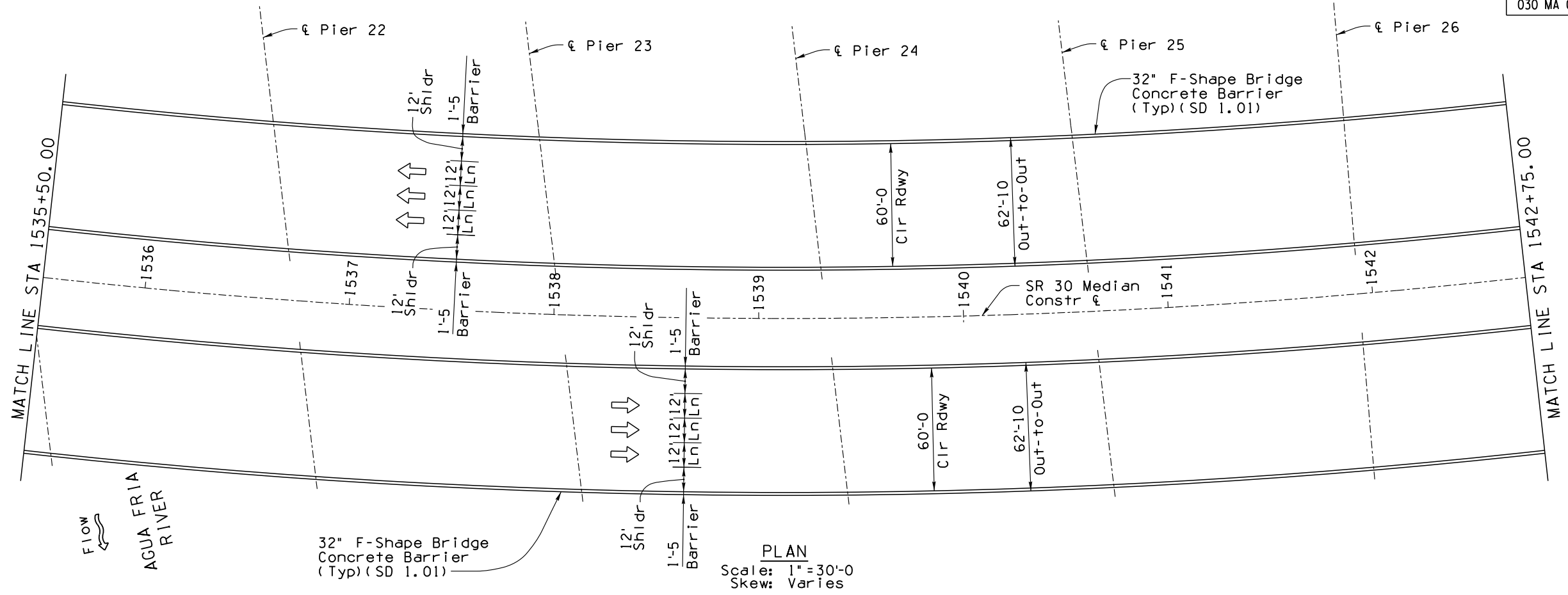
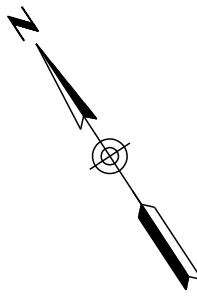
# SECTION 2H SELECTED ALTERNATIVE

DESIGN	NAME	DATE	ARIZONA DEPARTMENT OF TRANSPORTATION INTERMODAL TRANSPORTATION DIVISION BRIDGE GROUP	<b>L/DCR</b> Review NOT FOR CONSTRUCTION OR RECORDING
DRAWN		6/19		
CHECKED		6/19		
<b>HDR</b> HDR, INC. 3200 E. CAMELBACK ROAD SUITE 300 PHOENIX, AZ 85018-2311 TEL: (602) 522-7700			STA 1508+ AGUA FRIA RIVER BRIDGE	
SR 30	ROUTE	MILEPOST	STRUCTURE NO.	SR 30, SR 303L TO SR 202L
TRACS NO.	H6876 OIL			DWG. NO. S-02.06
				___ OF ___

NO. 1 DESCRIPTION OF REVISION  
NO. 2 DESCRIPTION OF REVISION  
MADE BY  
DATE

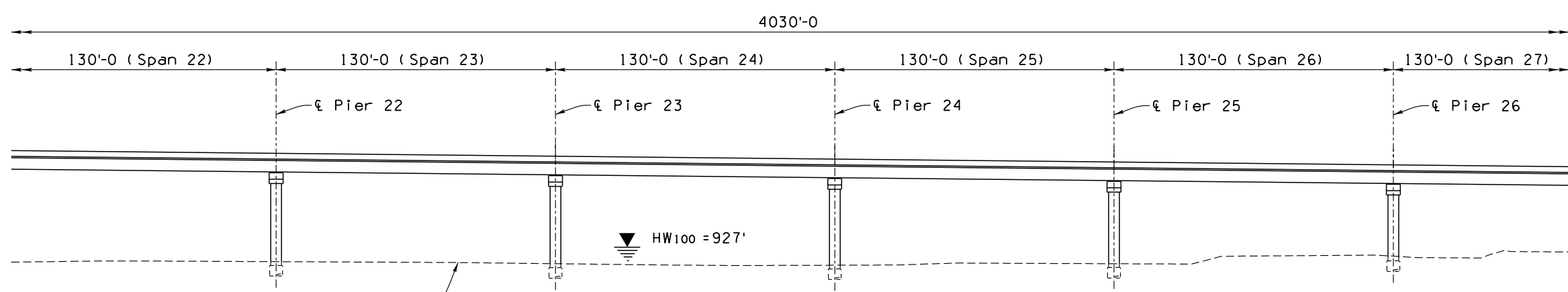
F.H.W.A. REGION	STATE	PROJECT NO.	SHEET NO.	TOTAL SHEETS	RECORD DRAWING
9	ARIZ.				

030 MA 000



PLAN  
Scale: 1" = 30'-0"  
Skew: Varies


Total Length of Bridge = 4035'-0"



ELEVATION  
Scale: 1" = 30'-0"  
(EB Elevation Shown WB Similar)

990
980
970
960
950
940
930
920
910
900
890

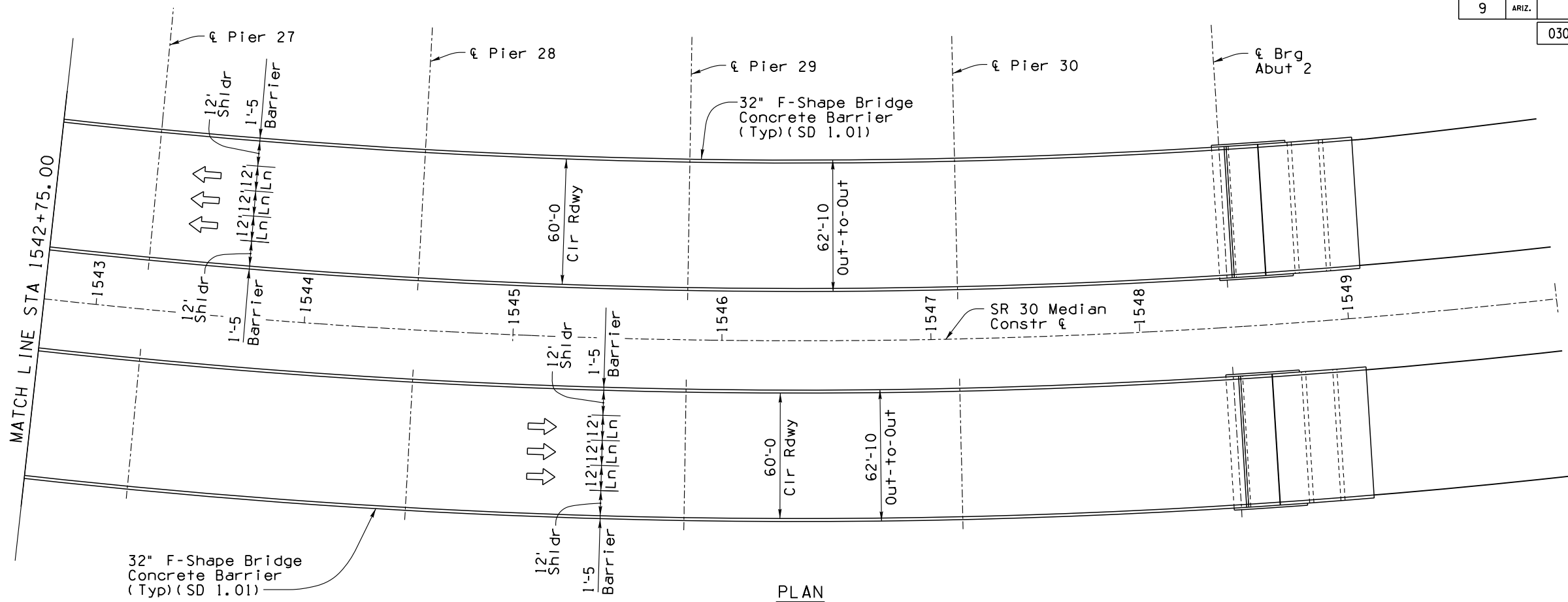
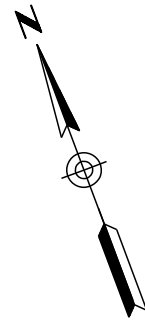
# SECTION 2H SELECTED ALTERNATIVE

DESIGN	NAME	DATE	ARIZONA DEPARTMENT OF TRANSPORTATION INTERMODAL TRANSPORTATION DIVISION BRIDGE GROUP	L/DCR Review NOT FOR CONSTRUCTION OR RECORDING
DRAWN		6/19		
CHECKED		6/19		
			STA 1508+ AGUA FRIA RIVER BRIDGE	DWG. NO. S-02.07 OF
SR 30	ROUTE	STRUCTURE NO.	SR 30, SR 303L TO SR 202L	
TRACS NO.	H6876 OIL			

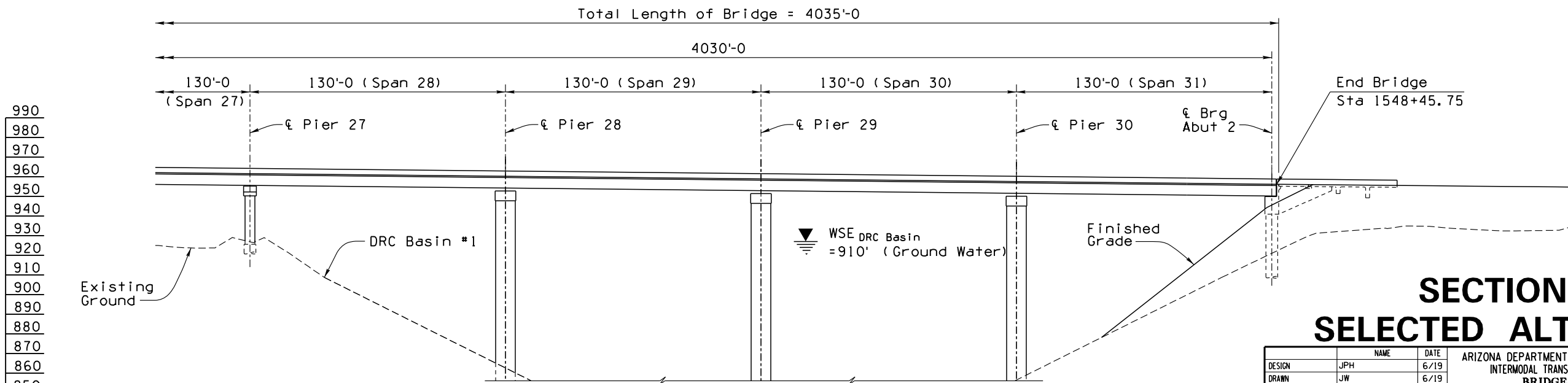
NO. 1 DESCRIPTION OF REVISION  
NO. 2 DESCRIPTION OF REVISION  
MADE BY  
DATE  
NO. 1 DESCRIPTION OF REVISION  
NO. 2 DESCRIPTION OF REVISION  
MADE BY  
DATE

F.H.W.A. REGION	STATE	PROJECT NO.	SHEET NO.	TOTAL SHEETS	RECORD DRAWING
9	ARIZ.				

030 MA 000



**PLAN**  
Scale: 1"=30'-0"  
Skew: Varies



**ELEVATION**  
Scale: 1"=30'-0"  
(EB Elevation Shown WB Similar)

990
980
970
960
950
940
930
920
910
900
890
880
870
860
850
840

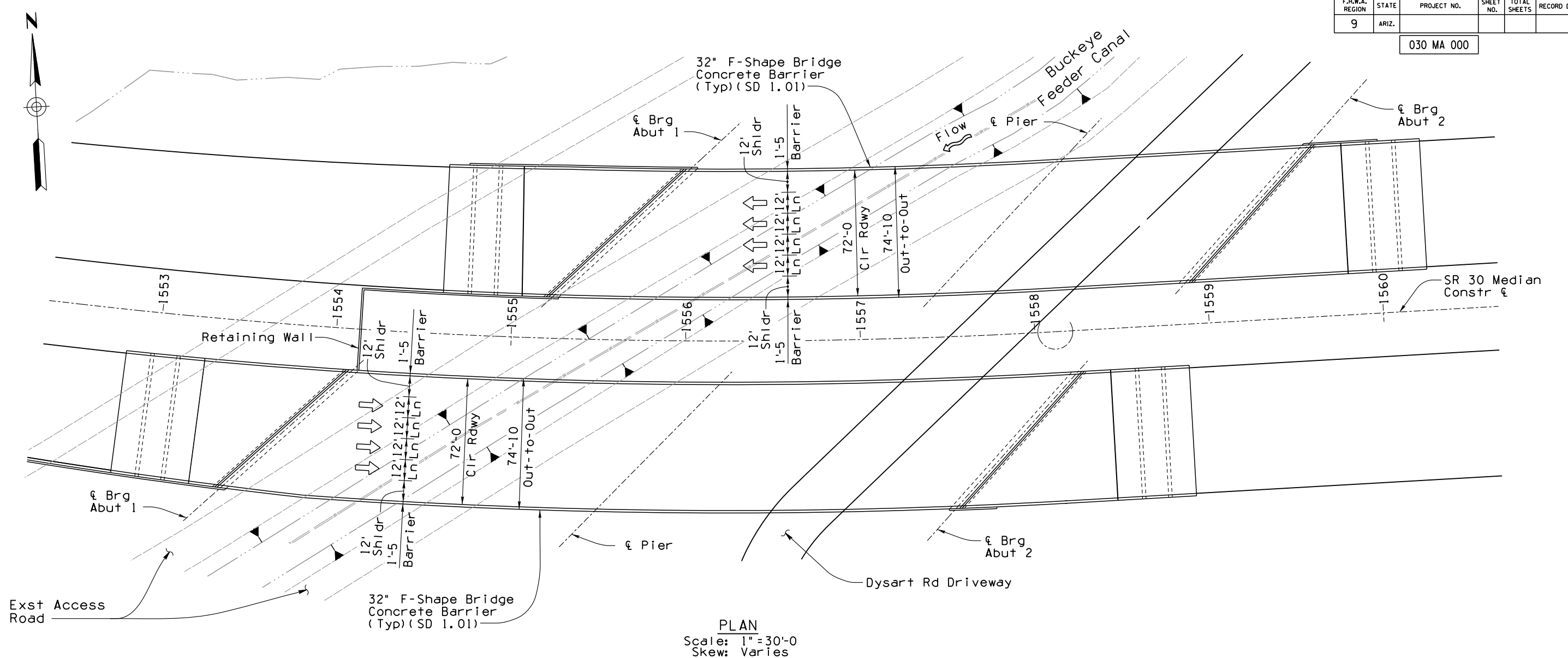
## SECTION 2H SELECTED ALTERNATIVE

DESIGN	JPH	DATE	6/19	ARIZONA DEPARTMENT OF TRANSPORTATION INTERMODAL TRANSPORTATION DIVISION BRIDGE GROUP	<b>L/DCR</b> Review NOT FOR CONSTRUCTION OR RECORDING
DRAWN	JW	DATE	6/19		
CHECKED	KRA	DATE	6/19		
<b>HDR</b>		HDR, INC. 3200 E. CAMELBACK ROAD SUITE 300 PHOENIX, AZ 85018-2311 TEL: (602) 522-7700		STA 1508+ AGUA FRIA RIVER BRIDGE	
SR 30	ROUTE	MILEPOST	STRUCTURE NO.	SR 30, SR 303L TO SR 202L	DWG. NO. S-02.08
TRACS NO.		H6876 OIL		OF	

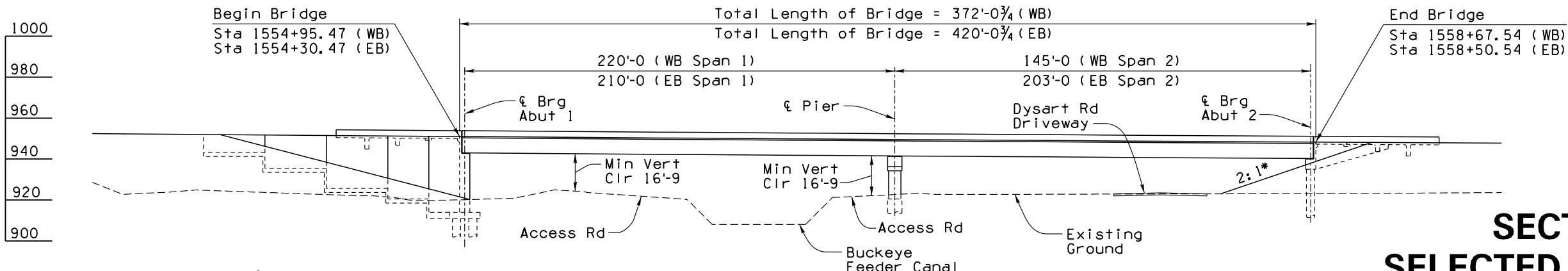
NO. 1 DESCRIPTION OF REVISION  
NO. 2 DESCRIPTION OF REVISION  
MADE BY  
DATE

F.H.W.A. REGION	STATE	PROJECT NO.	SHEET NO.	TOTAL SHEETS	RECORD DRAWING
9	ARIZ.				

030 MA 000



PLAN  
Scale: 1" = 30'-0"  
Skew: Varies



ELEVATION  
Scale: 1" = 30'-0"  
(EB Elevation Shown WB Similar)

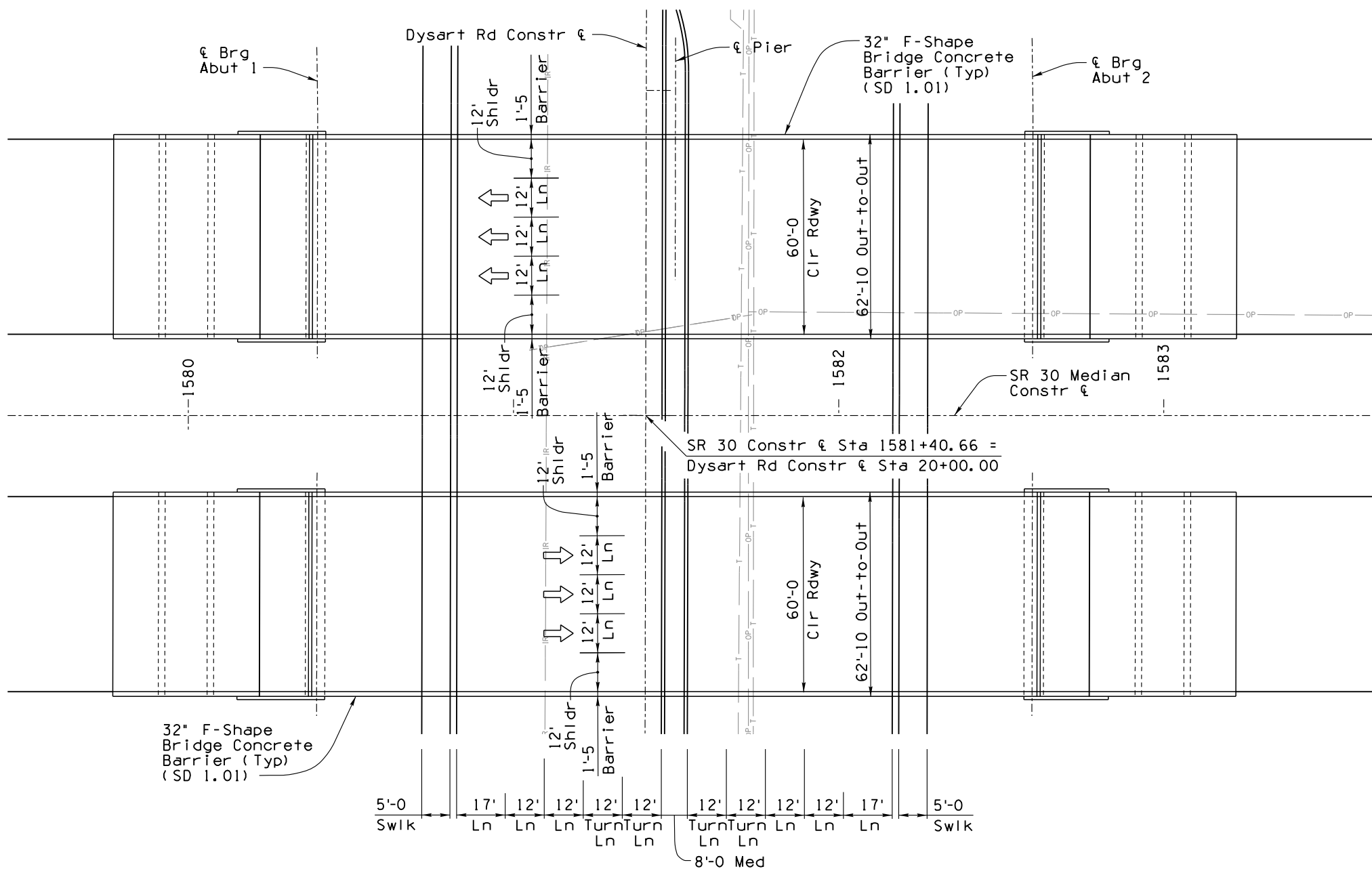
## SECTION 2H SELECTED ALTERNATIVE

DESIGN	JPH	DATE	6/19	ARIZONA DEPARTMENT OF TRANSPORTATION INTERMODAL TRANSPORTATION DIVISION BRIDGE GROUP	L/DCR Review NOT FOR CONSTRUCTION OR RECORDING
DRAWN	JW	DATE	6/19		
CHECKED	TS	DATE	6/19		
SR 30		ROUTE		STA 1554+ BUCKEYE FEEDER CANAL AND ACCESS RD BRIDGE	SR 30, SR 303L TO SR 202L DWG. NO. S-02.09
TRACS NO.		H6876 OIL			

NO. 1 DESCRIPTION OF REVISION  
NO. 2 DESCRIPTION OF REVISION

F.H.W.A. REGION	STATE	PROJECT NO.	SHEET NO.	TOTAL SHEETS	RECORD DRAWING
9	ARIZ.				

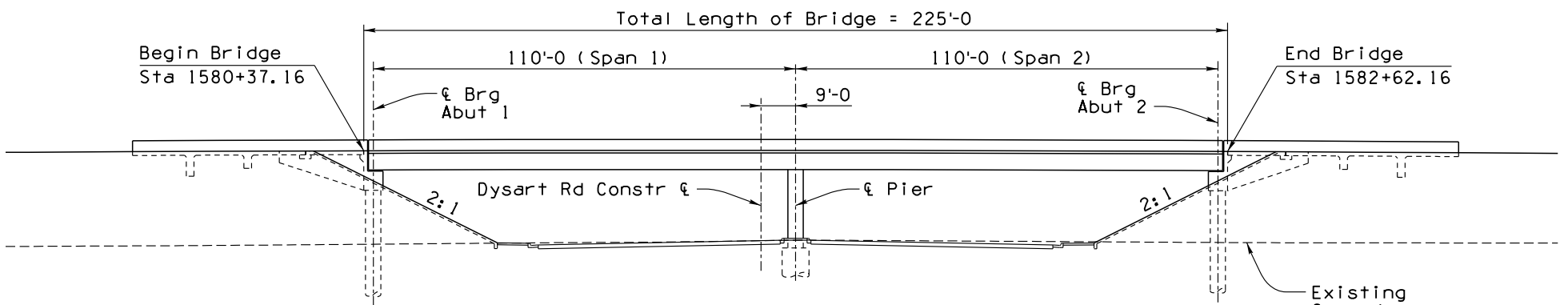
030 MA 000



PLAN

Scale: 1" = 20'-0"  
Skew: 0° 0' 00"

990
980
970
960
950
940
930
920



ELEVATION

Scale: 1" = 20'-0"  
(EB Elevation Shown WB Similar)

## SECTION 2H SELECTED ALTERNATIVE

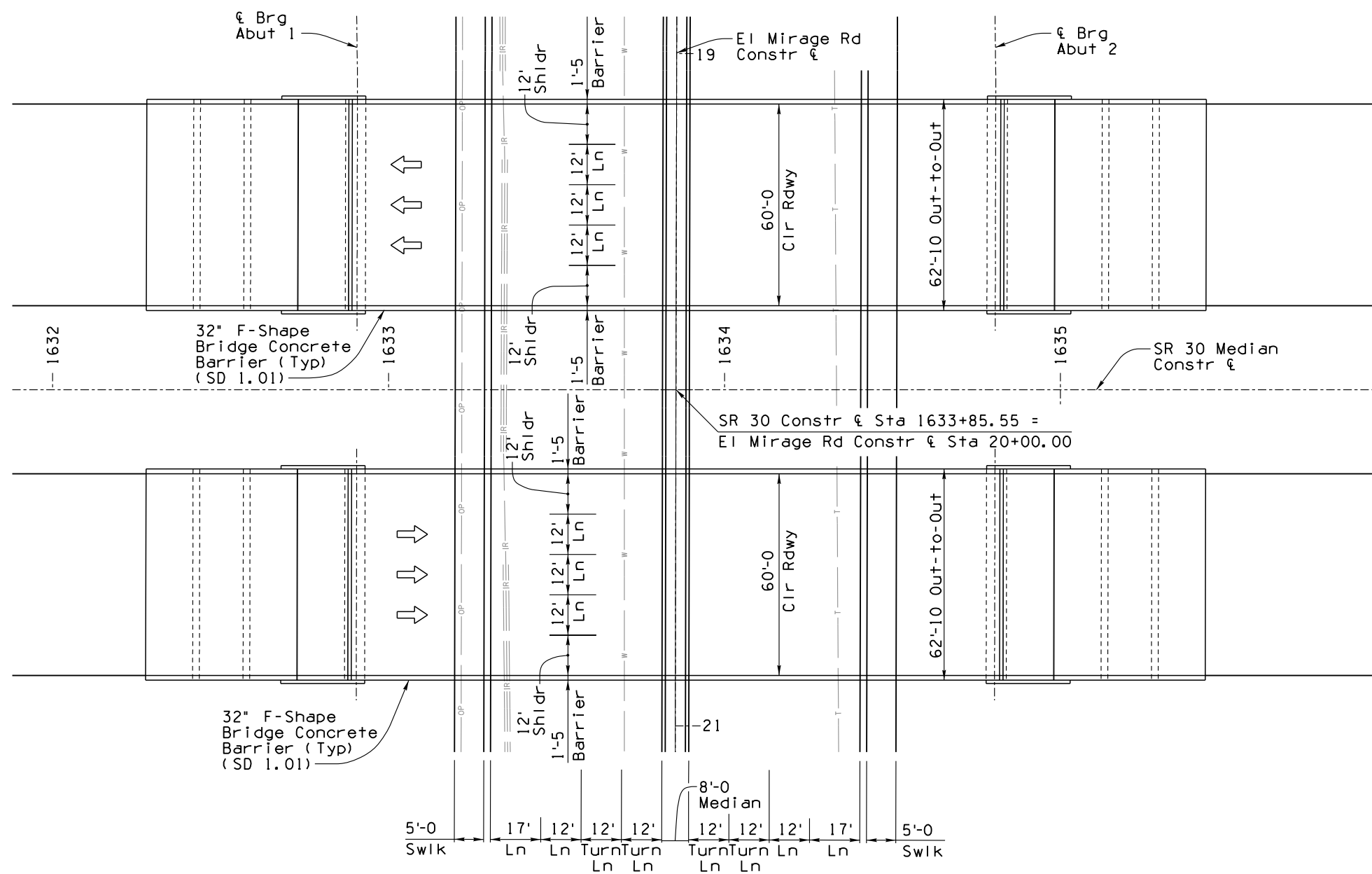
DESIGN	JPH	DATE	6/19	ARIZONA DEPARTMENT OF TRANSPORTATION INTERMODAL TRANSPORTATION DIVISION BRIDGE GROUP	L/DCR Review NOT FOR CONSTRUCTION OR RECORDING
DRAWN	JW	DATE	6/19		
CHECKED	TS	DATE	6/19		
SR 30		ROUTE		STA 1580+ DYSART RD TIOP WB & EB	SR 30, SR 303L TO SR 202L
TRACS NO.		MILEPOST		H6876 OIL	

NO. 1 DESCRIPTION OF REVISION DATE MADE BY NO. 2 DESCRIPTION OF REVISION DATE MADE BY

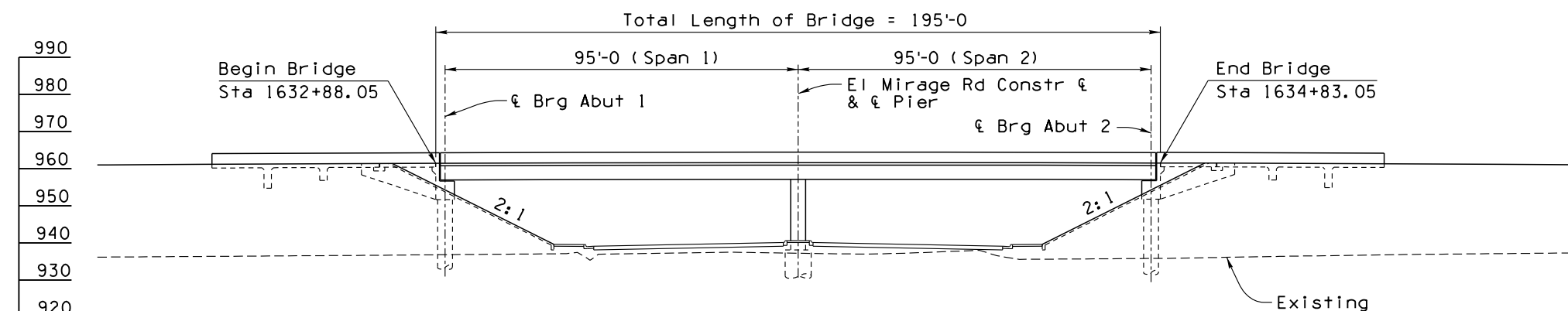


F.H.W.A. REGION	STATE	PROJECT NO.	SHEET NO.	TOTAL SHEETS	RECORD DRAWING
9	ARIZ.				

030 MA 000



**PLAN**  
Scale: 1" = 20'-0"  
Skew: 0° 0' 00"



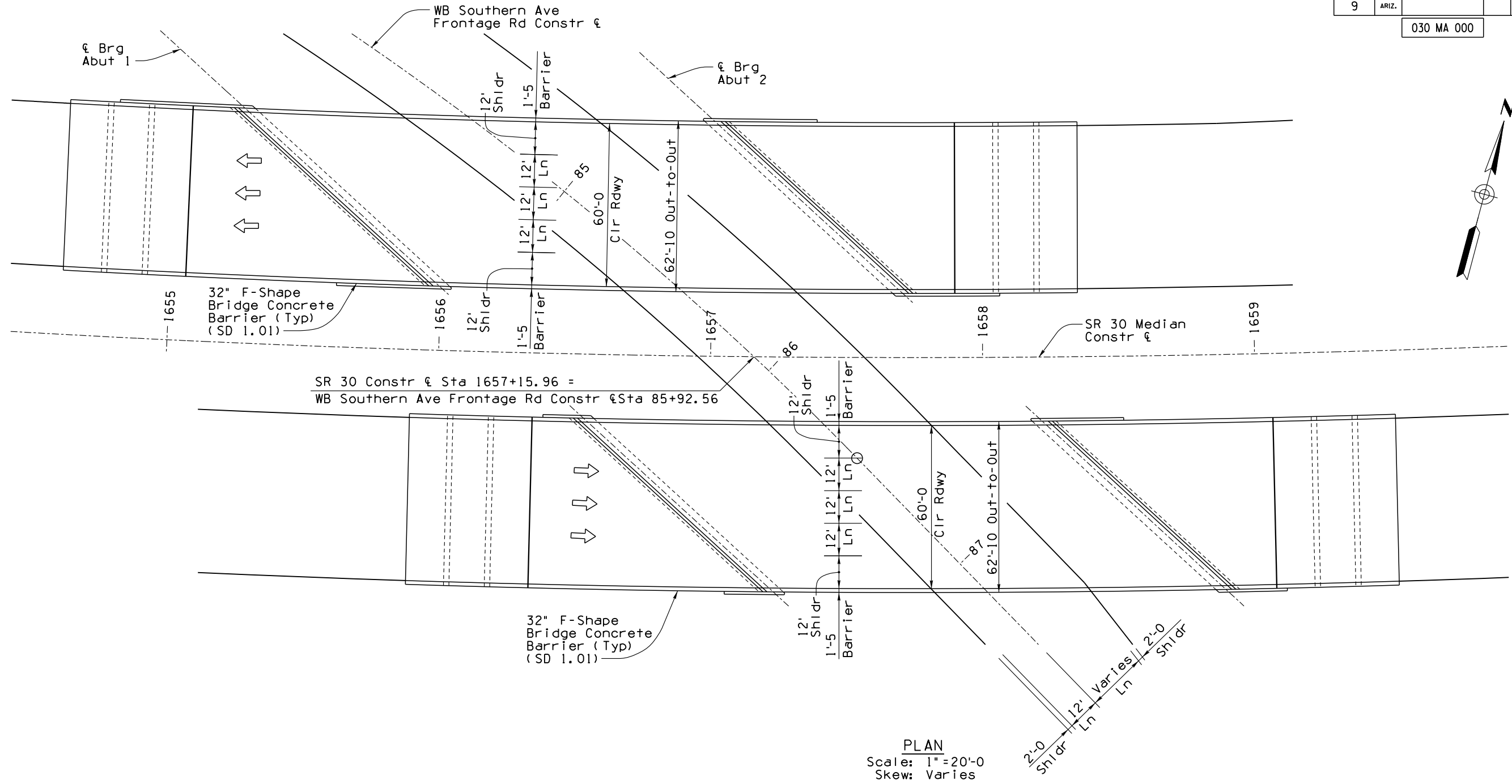
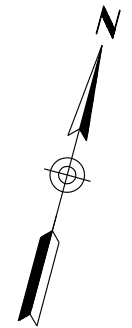
**ELEVATION**  
Scale: 1" = 20'-0"  
(EB Elevation Shown WB Similar)

## SECTION 2H SELECTED ALTERNATIVE

DESIGN	JPH	DATE	6/19	ARIZONA DEPARTMENT OF TRANSPORTATION INTERMODAL TRANSPORTATION DIVISION BRIDGE GROUP	<b>L/DCR</b> Review NOT FOR CONSTRUCTION OR RECORDING
DRAWN	JW	DATE	6/19		
CHECKED	TS	DATE	6/19		
<b>HDR</b>		HDR, INC. 3200 E. CAMELBACK ROAD SUITE 300 PHOENIX, AZ 85018-2311 TEL: (602) 522-7700		STA 1632+ EL MIRAGE RD TIOP WB & EB	
SR 30	ROUTE	MILEPOST	STRUCTURE NO.	SR 30, SR 303L TO SR 202L	DWG. NO. S-02.II
TRACS NO.	H6876 OIL				OF

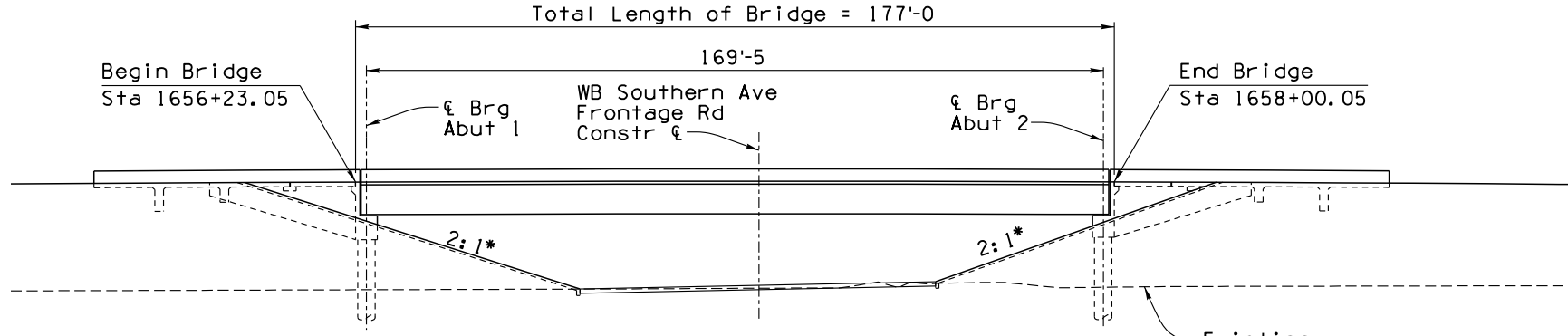
F.H.W.A. REGION	STATE	PROJECT NO.	SHEET NO.	TOTAL SHEETS	RECORD DRAWING
9	ARIZ.				

030 MA 000



PLAN  
Scale: 1"=20'-0  
Skew: Varies

990
980
970
960
950
940
930
920



\*Slope measured perpendicular to roadway.

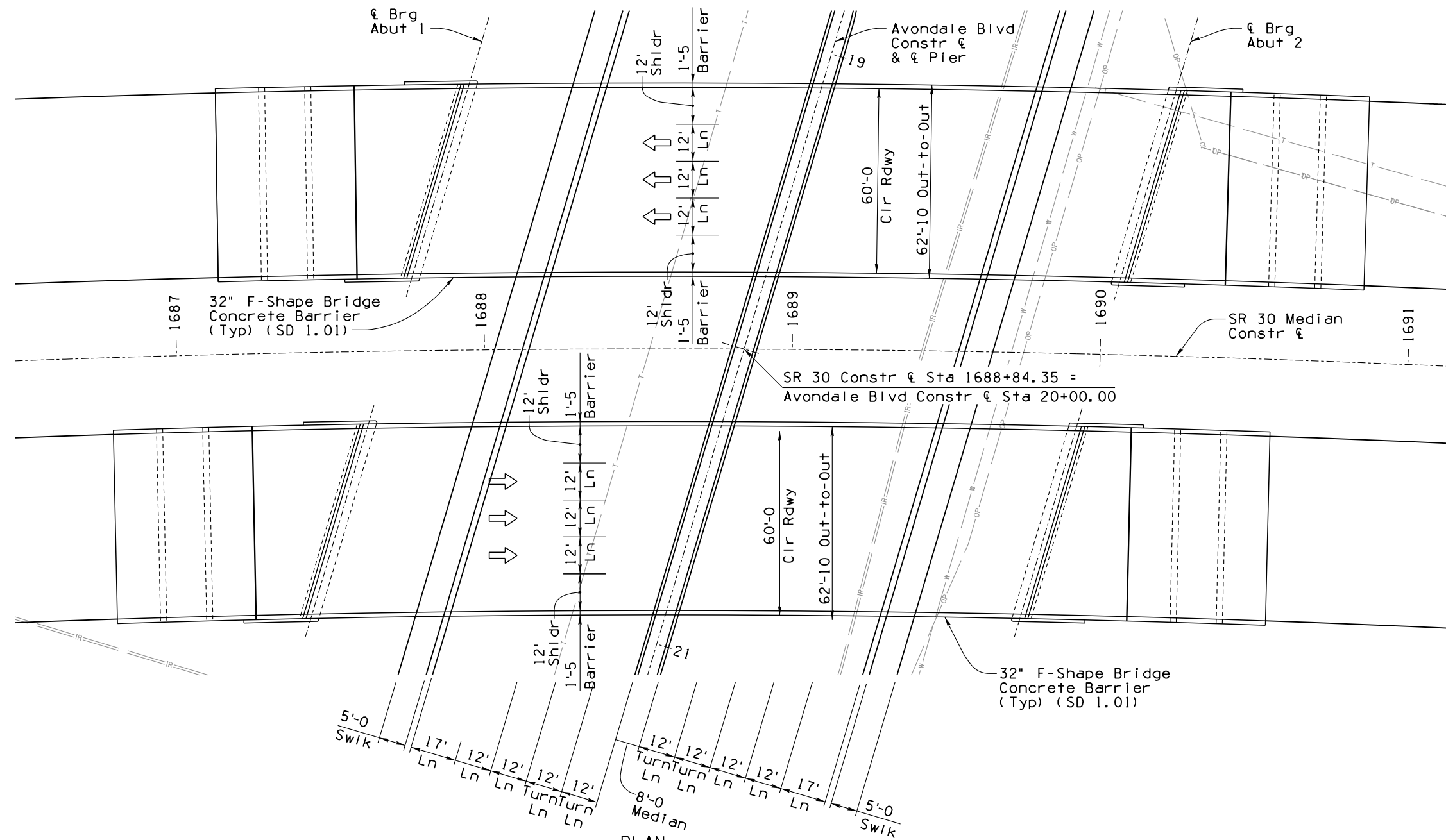
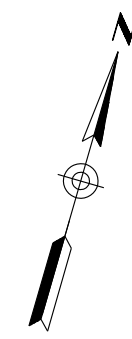
ELEVATION  
Scale: 1"=20'-0  
(EB Elevation Shown WB Similar)

## SECTION 2H SELECTED ALTERNATIVE

DESIGN	NAME	DATE	ARIZONA DEPARTMENT OF TRANSPORTATION INTERMODAL TRANSPORTATION DIVISION BRIDGE GROUP	L/DCR Review NOT FOR CONSTRUCTION OR RECORDING
DRAWN		6/19		
CHECKED	TS	6/19		
		<small>HDR, INC. 3200 E. CAMELBACK ROAD SUITE 300 PHOENIX, AZ 85018-2311 TEL: (602) 522-7700</small>		<b>STA 1656+ WB SOUTHERN AVE FRONTAGE RD OP WB &amp; EB</b>
SR 30	ROUTE	STRUCTURE NO.	SR 30, SR 303L TO SR 202L	
TRACS NO.		H6876 OIL		OF

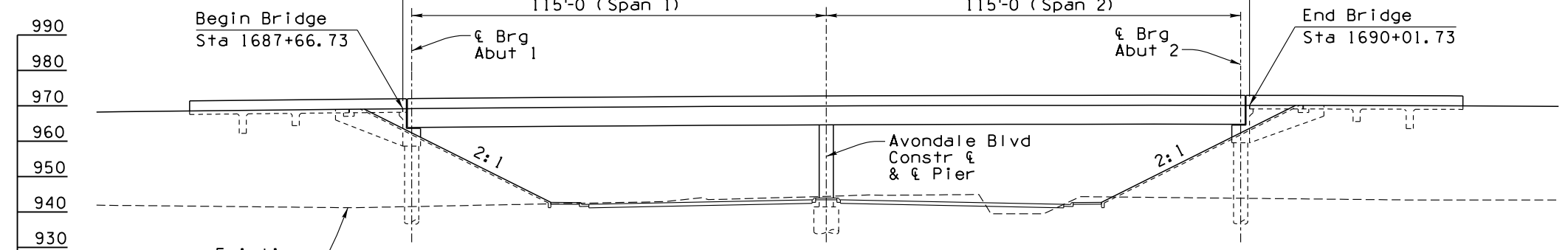
F.H.W.A. REGION	STATE	PROJECT NO.	SHEET NO.	TOTAL SHEETS	RECORD DRAWING
9	ARIZ.				

030 MA 000



**PLAN**  
Scale: 1" = 20'-0"  
Skew: Varies

Total Length of Bridge = 235'-0"



**ELEVATION**  
Scale: 1" = 20'-0"  
(EB Elevation Shown WB Similar)

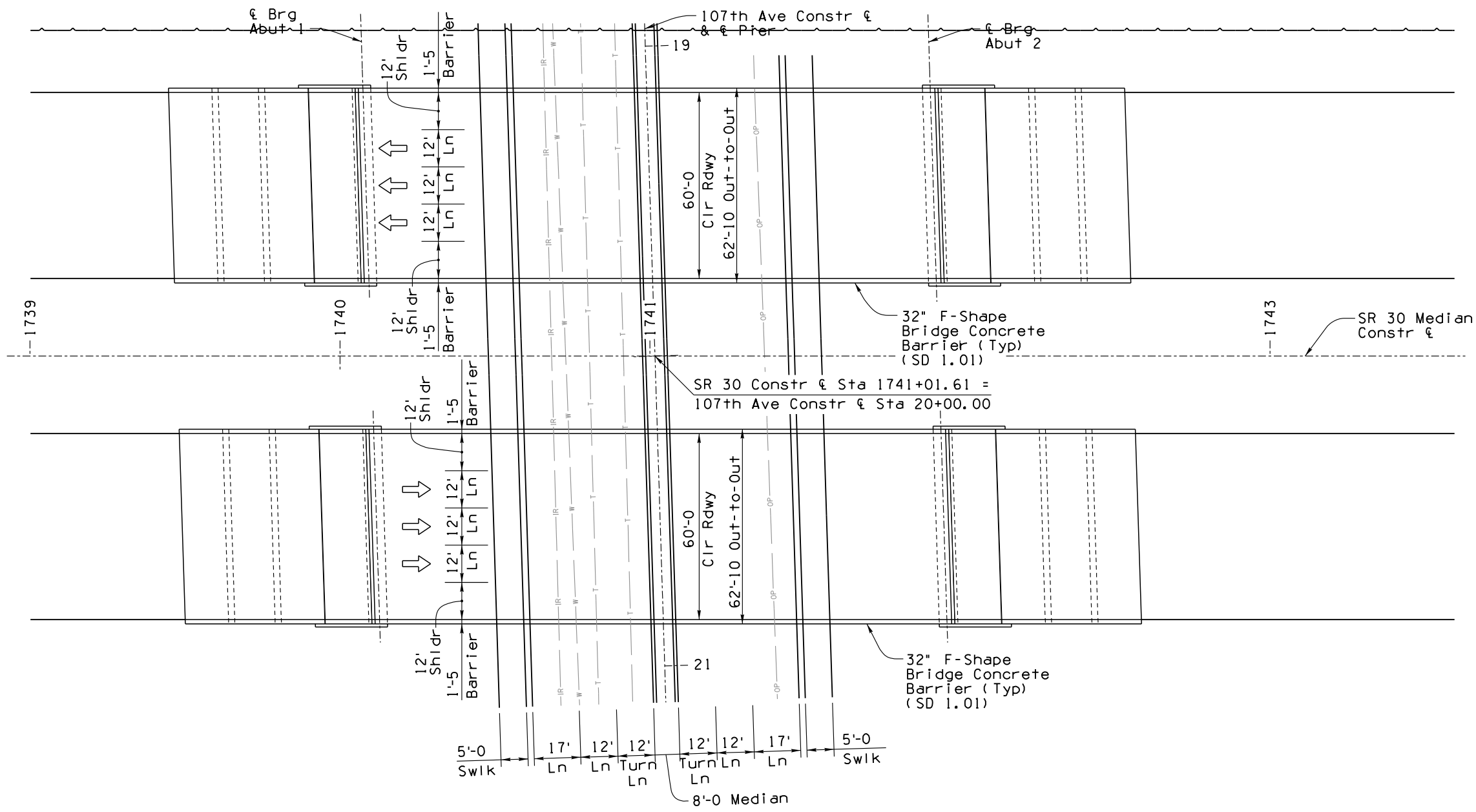
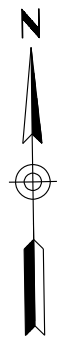
## SECTION 2H SELECTED ALTERNATIVE

DESIGN	JPH	DATE	6/19	ARIZONA DEPARTMENT OF TRANSPORTATION INTERMODAL TRANSPORTATION DIVISION BRIDGE GROUP	<b>L/DCR</b> Review NOT FOR CONSTRUCTION OR RECORDING
DRAWN	JW	DATE	6/19		
CHECKED	TS	DATE	6/19		
<b>HDR</b>		HDR, INC. 3200 E. CAMELBACK ROAD SUITE 300 PHOENIX, AZ 85018-2311 TEL: (602) 522-7700		STA 1687+ AVONDALE BLVD TIOP WB & EB	
SR 30	ROUTE	MILEPOST	STRUCTURE NO.	SR 30, SR 303L TO SR 202L	DWG. NO. S-02.13
TRACS NO.	H676 OIL				OF

NO. 1 DESCRIPTION OF REVISION DATE MADE BY NO. 2 DESCRIPTION OF REVISION DATE MADE BY

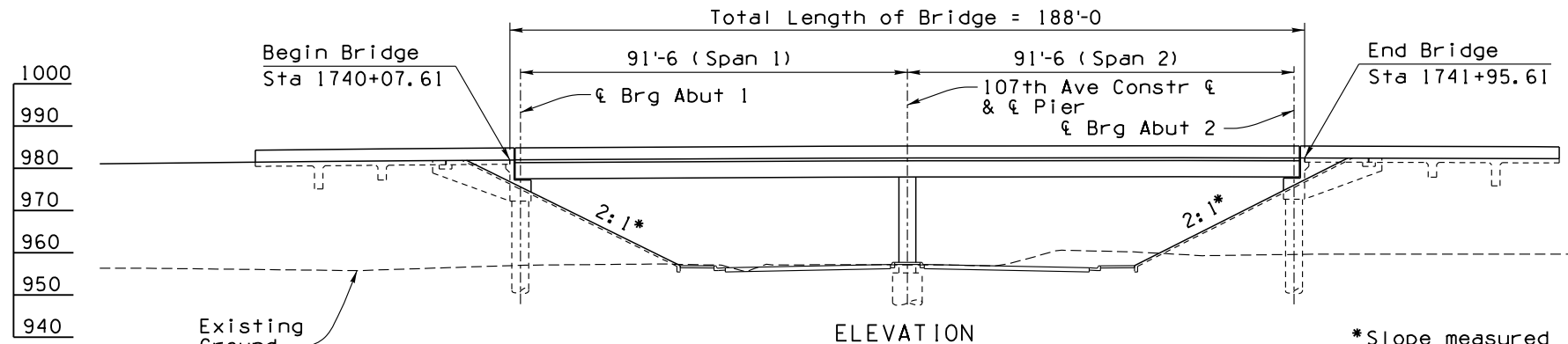
F.H.W.A. REGION	STATE	PROJECT NO.	SHEET NO.	TOTAL SHEETS	RECORD DRAWING
9	ARIZ.				

030 MA 000



**PLAN**

Scale: 1" = 20'-0  
Skew: 1° 48' 00"



**ELEVATION**

Scale: 1" = 20'-0  
(EB Elevation Shown WB Similar)

\*Slope measured perpendicular to roadway.

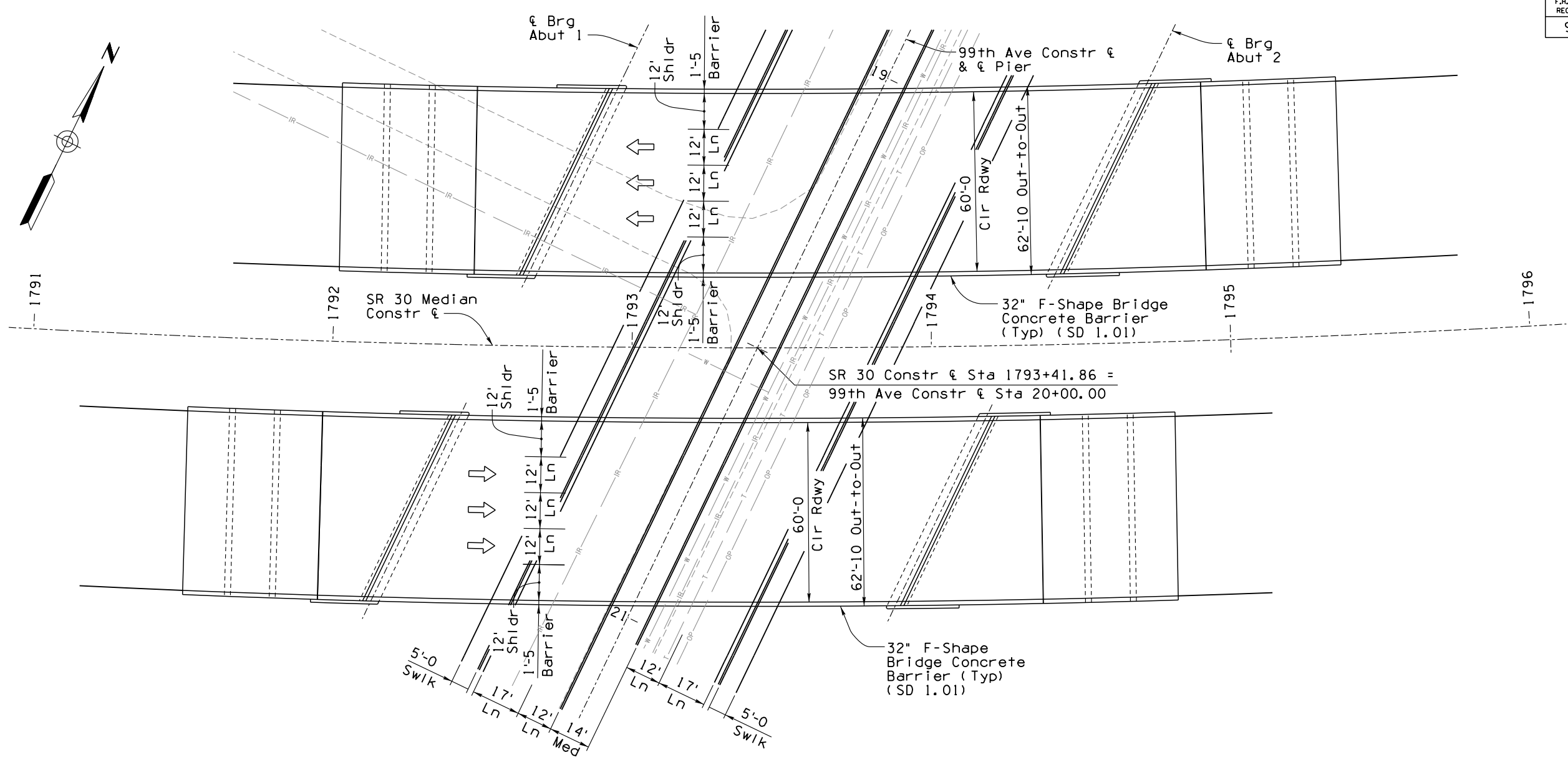
## SECTION 2H SELECTED ALTERNATIVE

DESIGN		JPH	6/19	ARIZONA DEPARTMENT OF TRANSPORTATION INTERMODAL TRANSPORTATION DIVISION BRIDGE GROUP	<b>L/DCR</b> Review NOT FOR CONSTRUCTION OR RECORDING
DRAWN		JW	6/19		
CHECKED		TS	6/19		
<b>SR 30</b>		ROUTE MILEPOST STRUCTURE NO.		STA 1739+ 107th AVE TIOP WB & EB	DWG. NO. S-02.14
TRACS NO.		H6876 OIL		SR 30, SR 303L TO SR 202L	OF

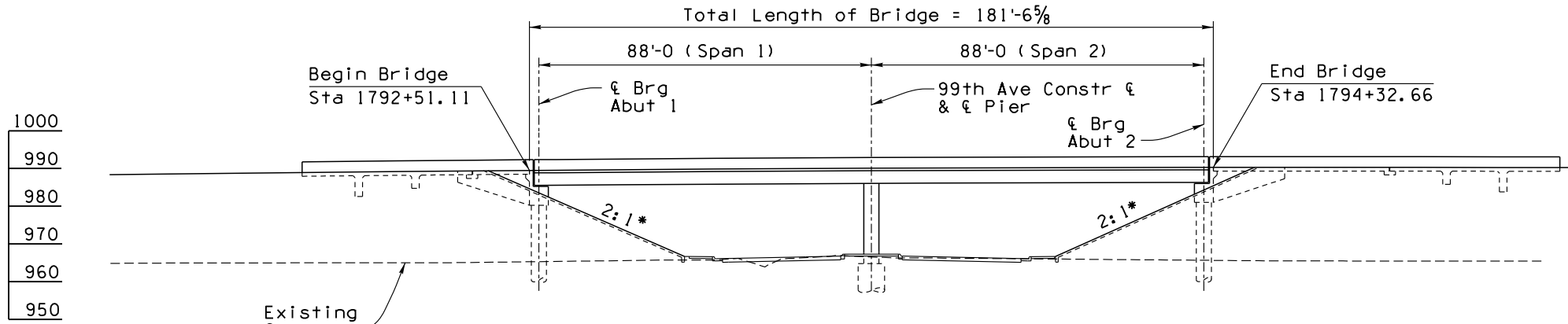
NO. 1 DESCRIPTION OF REVISION  
NO. 2 DESCRIPTION OF REVISION  
MADE BY  
DATE  
MADE BY  
DATE  
NO. 1 DESCRIPTION OF REVISION  
NO. 2 DESCRIPTION OF REVISION  
MADE BY  
DATE  
MADE BY  
DATE

F.H.W.A. REGION	STATE	PROJECT NO.	SHEET NO.	TOTAL SHEETS	RECORD DRAWING
9	ARIZ.				

030 MA 000



**PLAN**  
Scale: 1"=20'-0"  
Skew: Varies



**ELEVATION**  
Scale: 1"=20'-0"  
(EB Elevation Shown WB Similar)  
\*Slope measured perpendicular to Rdwy.

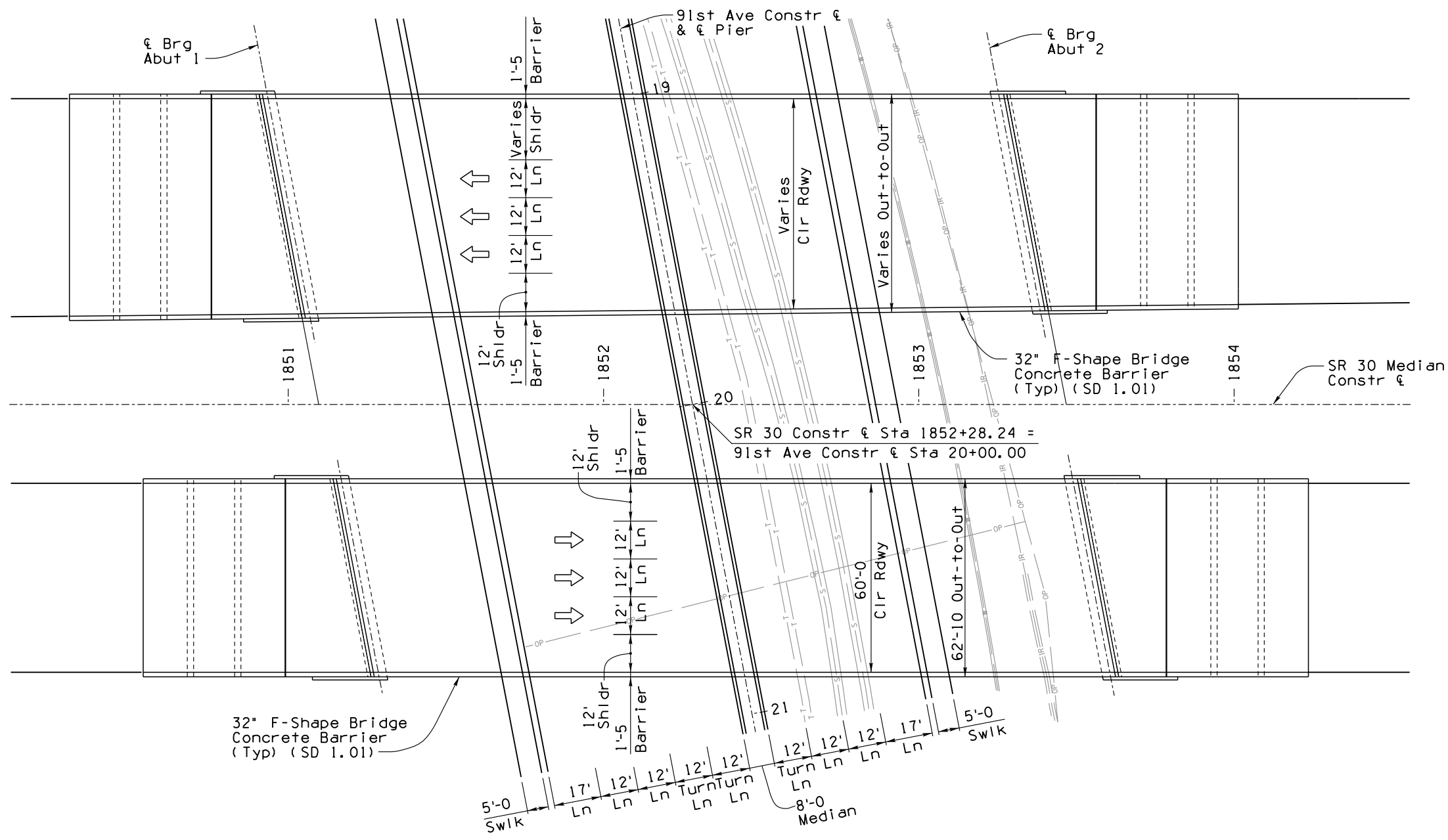
## SECTION 2H SELECTED ALTERNATIVE

DESIGN	JPH	DATE	6/19	ARIZONA DEPARTMENT OF TRANSPORTATION INTERMODAL TRANSPORTATION DIVISION BRIDGE GROUP	L/DCR Review NOT FOR CONSTRUCTION OR RECORDING
DRAWN	JW	DATE	6/19		
CHECKED	TS	DATE	6/19		
SR 30		ROUTE MILEPOST		STA 1792+ 99th AVE OP WB & EB	
TRACS NO.		H6876 OIL		SR 30, SR 303L TO SR 202L	
				DWG. NO. S-02.15	
				OF	

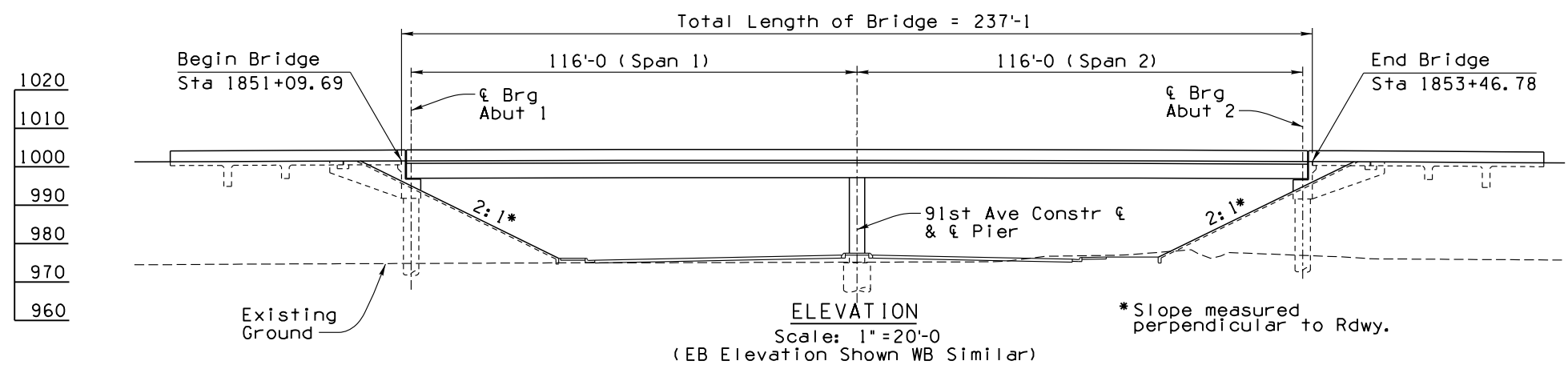
NO. 1 | DESCRIPTION OF REVISION | DATE | MADE BY | NO. 2 | DESCRIPTION OF REVISION | DATE | MADE BY

F.H.W.A. REGION	STATE	PROJECT NO.	SHEET NO.	TOTAL SHEETS	RECORD DRAWING
9	ARIZ.				

030 MA 000



PLAN  
Scale: 1" = 20'-0"  
Skew: 10° 52' 12"



ELEVATION  
Scale: 1" = 20'-0"  
(EB Elevation Shown WB Similar)

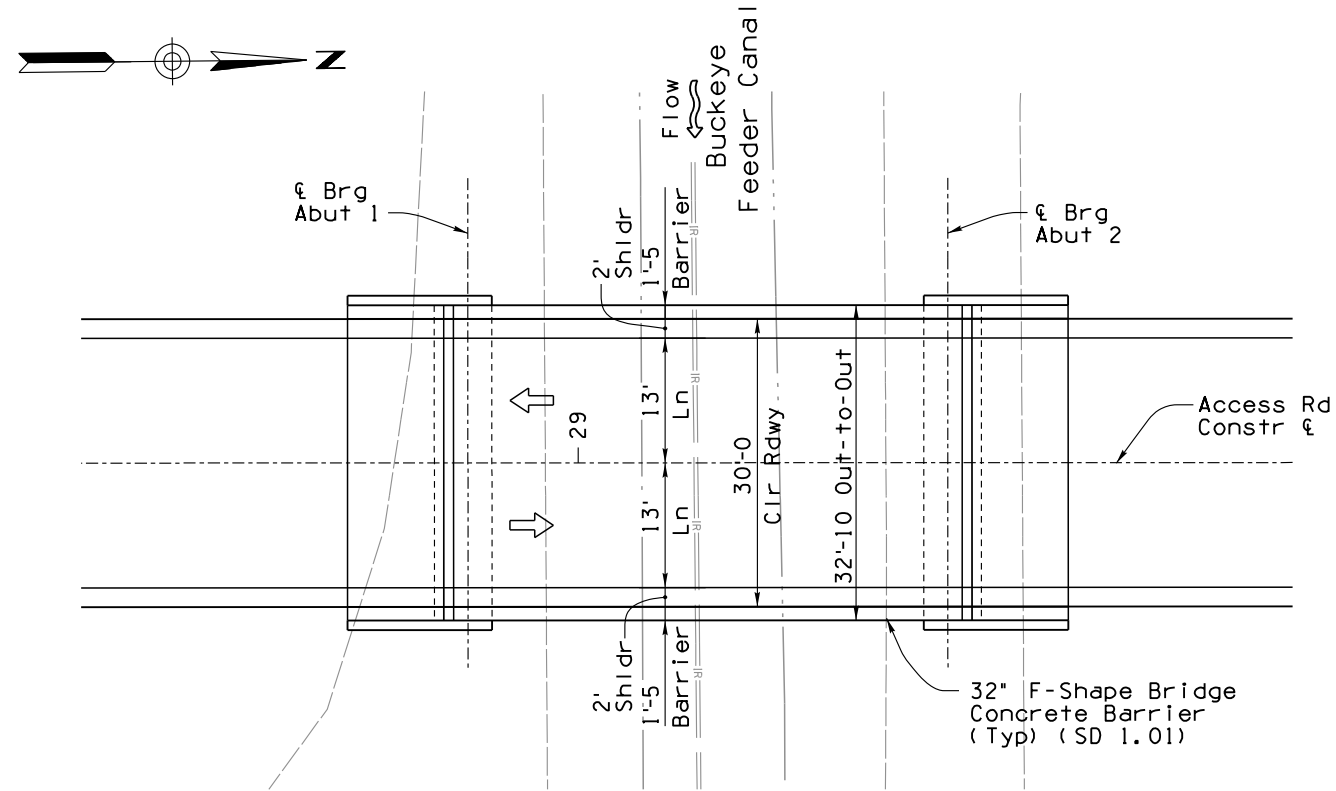
## SECTION 2H SELECTED ALTERNATIVE

DESIGN	JPH	DATE	6/19	ARIZONA DEPARTMENT OF TRANSPORTATION INTERMODAL TRANSPORTATION DIVISION BRIDGE GROUP	L/DCR Review NOT FOR CONSTRUCTION OR RECORDING
DRAWN	JW	DATE	6/19		
CHECKED	TS	DATE	6/19		
SR 30		ROUTE MILEPOST		STRUCTURE NO.	STA 1851+ 91st AVE TIOP WB & EB
TRACS NO.		H6876 OIL		SR 30, SR 303L TO SR 202L	

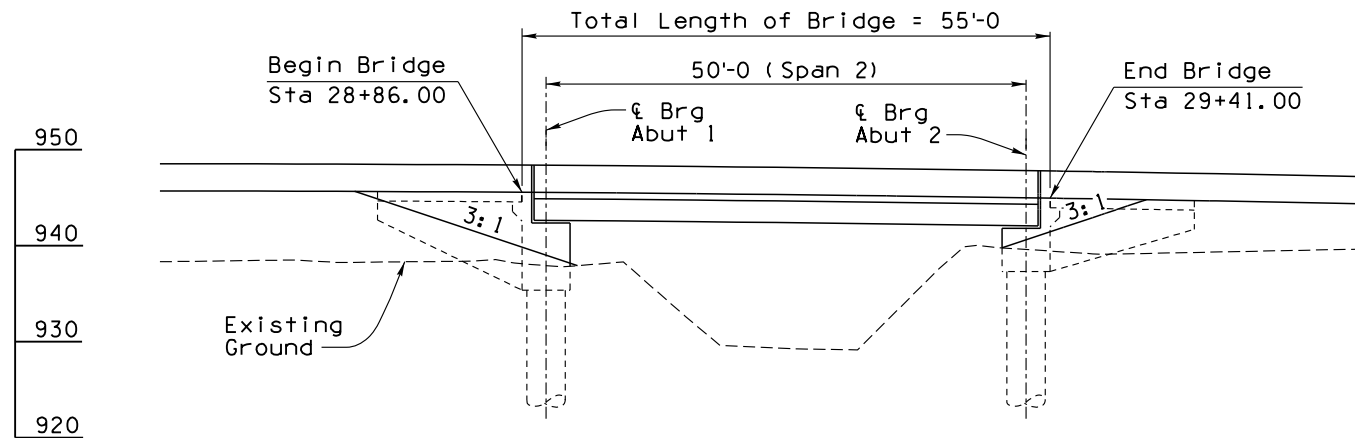
NO. 1 | DESCRIPTION OF REVISION | DATE | MADE BY  
 NO. 2 | DESCRIPTION OF REVISION | DATE | MADE BY

F.H.W.A. REGION	STATE	PROJECT NO.	SHEET NO.	TOTAL SHEETS	RECORD DRAWING
9	ARIZ.				

030 MA 000



**PLAN**  
Scale: 1" = 10'-0"  
Skew: 0° 0' 00"



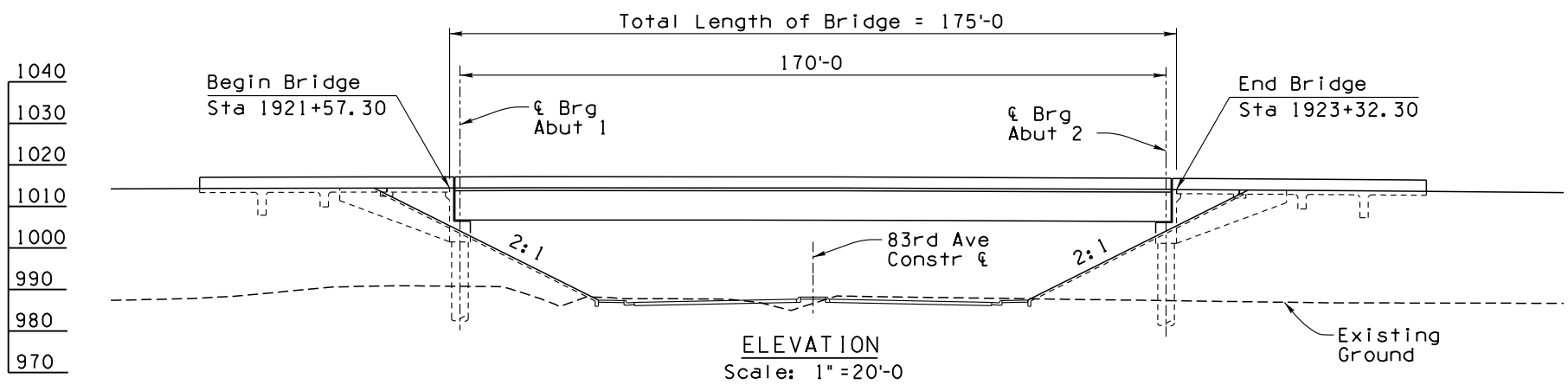
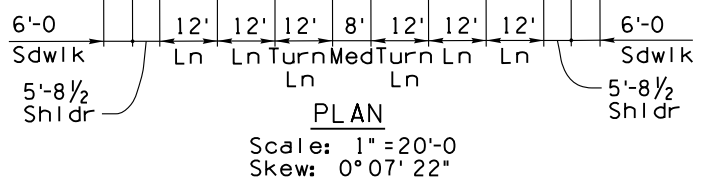
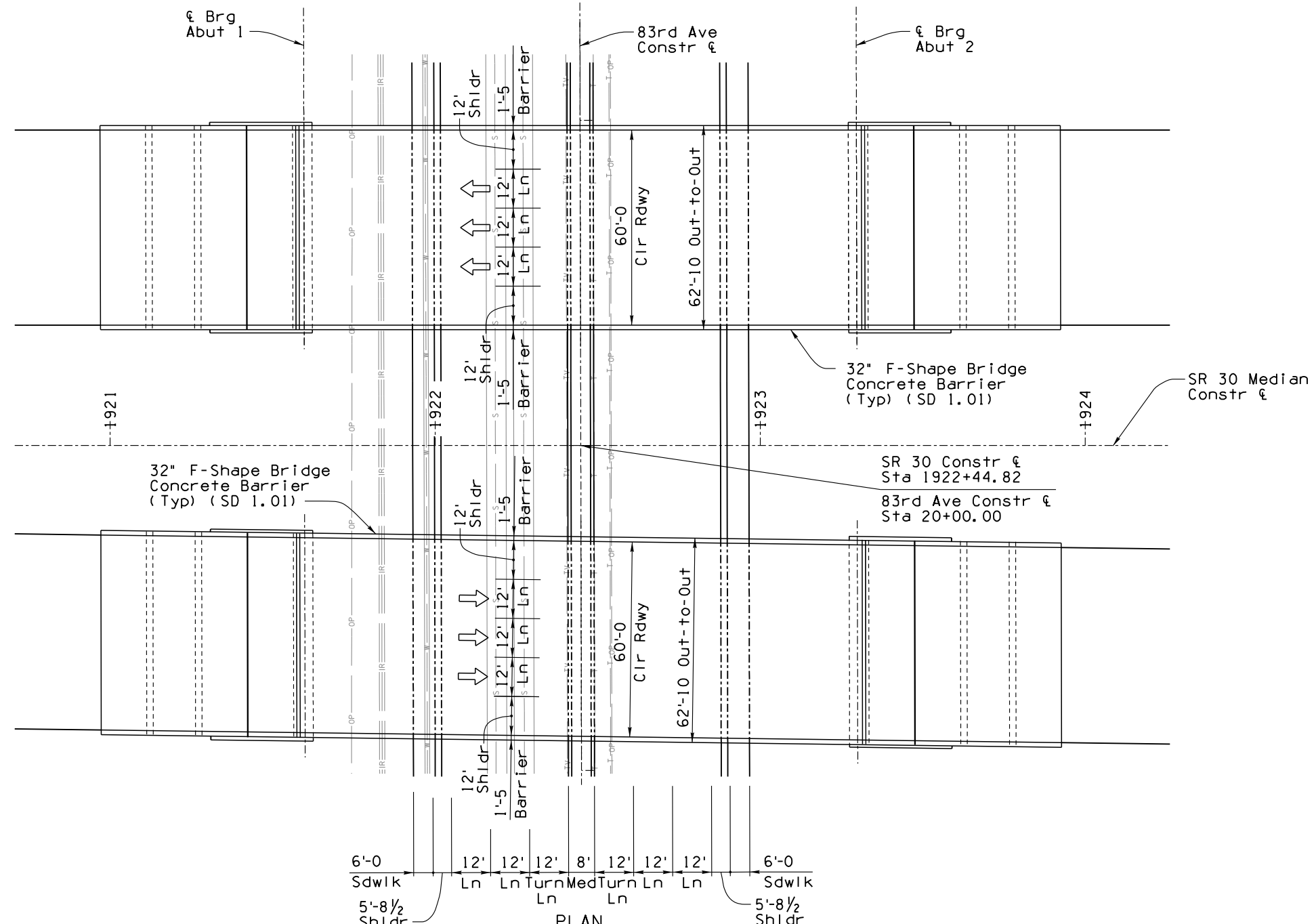
**ELEVATION**  
Scale: 1" = 10'-0"  
(EB Elevation Shown WB Similar)

## SECTION 2H SELECTED ALTERNATIVE

DESIGN	JPH	DATE	6/19	ARIZONA DEPARTMENT OF TRANSPORTATION INTERMODAL TRANSPORTATION DIVISION BRIDGE GROUP	<b>L/DCR</b> Review NOT FOR CONSTRUCTION OR RECORDING
DRAWN	JW	DATE	6/19		
CHECKED	TS	DATE	6/19		
<b>HDR</b>		HDR, INC. 3200 E. CAMELBACK ROAD SUITE 300 PHOENIX, AZ 85018-2311 TEL: (602) 522-7700		STA 28+ BUCKEYE FEEDER CANAL BRIDGE	
SR 30	ROUTE	MILEPOST	STRUCTURE NO.	SR 30, SR 303L TO SR 202L	DWG. NO. S-02.17
TRACS NO.		H6876 OIL		___ OF ___	

NO. 1 | DESCRIPTION OF REVISION | DATE | MADE BY | NO. 2 | DESCRIPTION OF REVISION | DATE | MADE BY

F.H.W.A. REGION	STATE	PROJECT NO.	SHEET NO.	TOTAL SHEETS	RECORD DRAWING
9	ARIZ.				
030 MA 000					



ELEVATION  
Scale: 1" = 20'-0"

## SECTION 3B-2 SELECTED ALTERNATIVE

DESIGN	MPV	DATE	6/19	ARIZONA DEPARTMENT OF TRANSPORTATION INTERMODAL TRANSPORTATION DIVISION BRIDGE GROUP	<b>L/DCR</b> Review NOT FOR CONSTRUCTION OR RECORDING
DRAWN	JW	DATE	6/19		
CHECKED	KRA	DATE	6/19		
<b>HDR</b>		HDR, INC. 3200 E. CAMELBACK ROAD SUITE 300 PHOENIX, AZ 85018-2311 TEL: (602) 522-7700		STA 1921+ 83rd AVE TIOP WB & EB	
SR 30	ROUTE	MILEPOST	STRUCTURE NO.	SR 30, SR 303L TO SR 202L	
TRACS NO.		H6876 OIL		DWG. NO. S-03.01 OF	

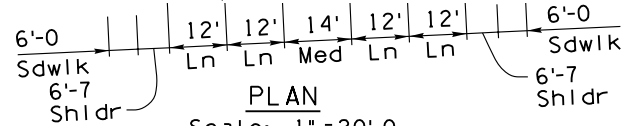
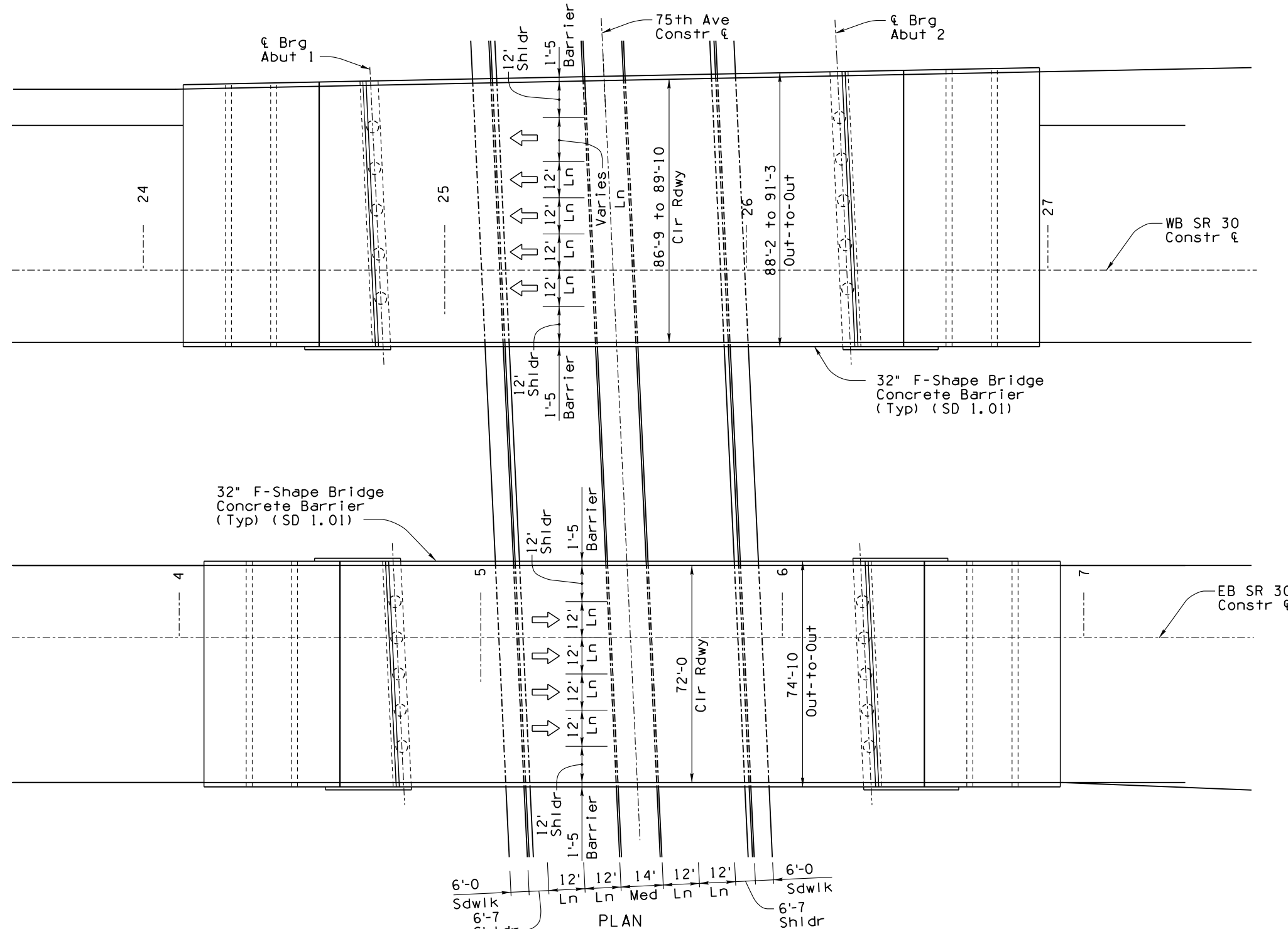
NO. 1 DESCRIPTION OF REVISION  
NO. 2 DESCRIPTION OF REVISION

MADE BY  
DATE

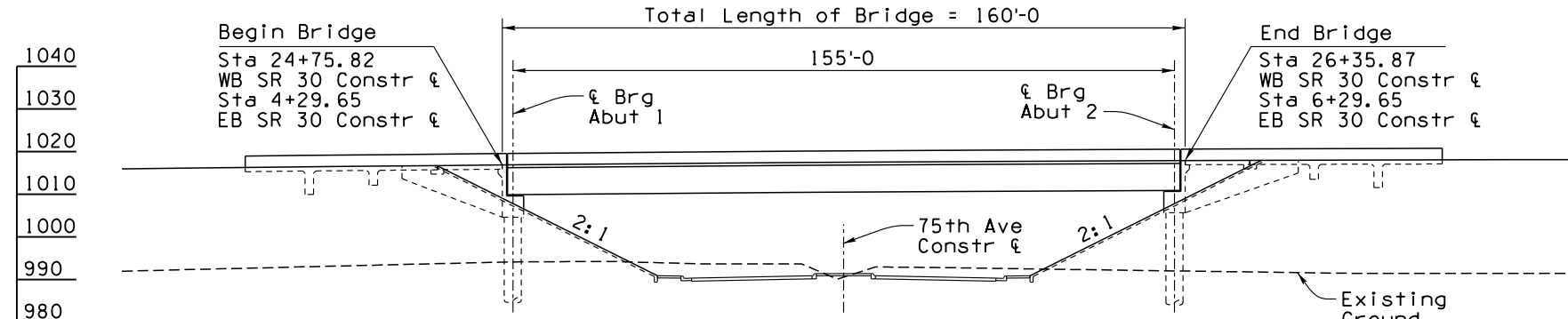


F.H.W.A. REGION	STATE	PROJECT NO.	SHEET NO.	TOTAL SHEETS	RECORD DRAWING
9	ARIZ.				

030 MA 000



PLAN  
Scale: 1" = 20'-0"  
Skew: 2° 41' 52"



ELEVATION  
Scale: 1" = 20'-0"

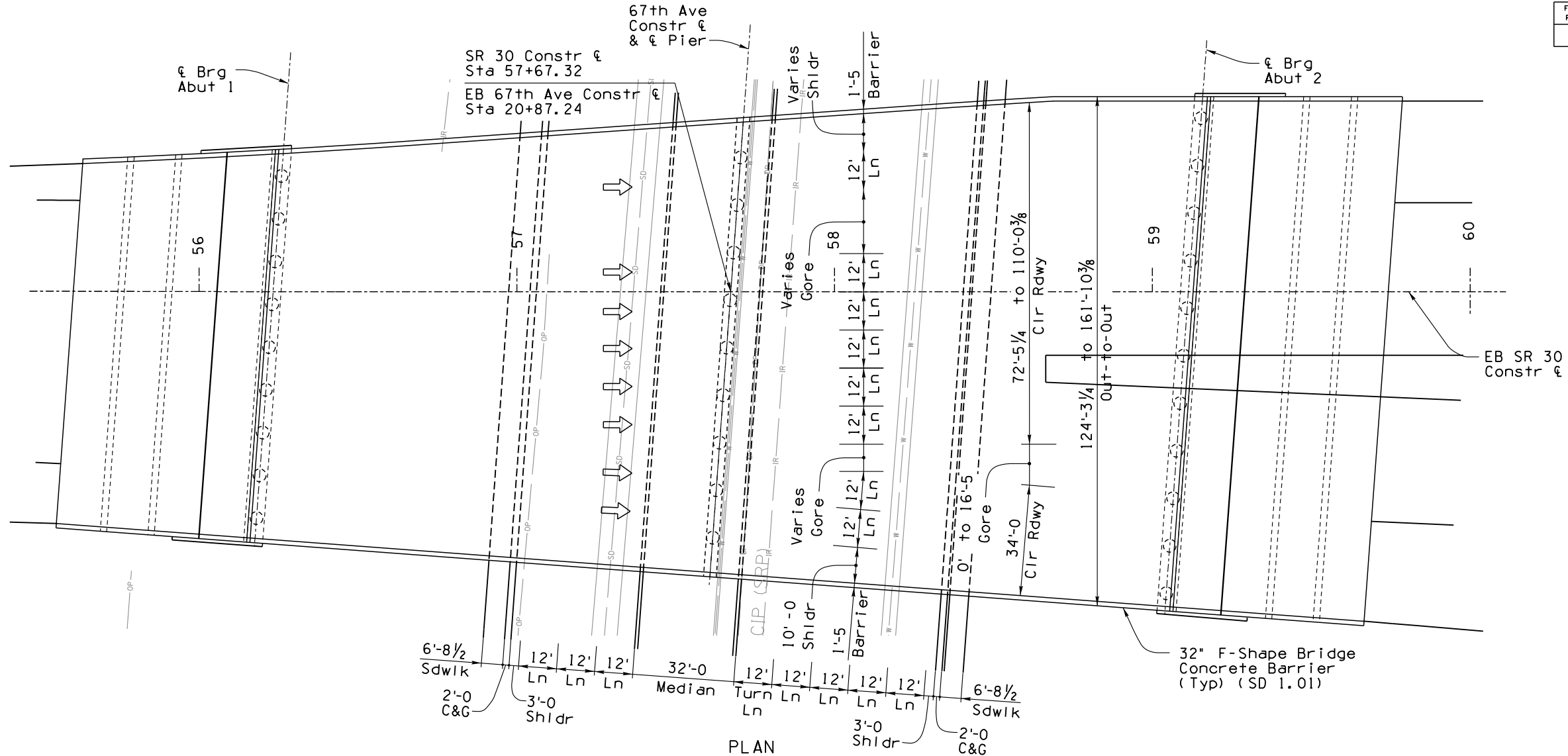
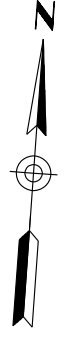
## SECTION 3B-2 SELECTED ALTERNATIVE

DESIGN	MPV	DATE	6/19	ARIZONA DEPARTMENT OF TRANSPORTATION INTERMODAL TRANSPORTATION DIVISION BRIDGE GROUP	L/DCR Review NOT FOR CONSTRUCTION OR RECORDING
DRAWN	JW	DATE	6/19		
CHECKED	KRA	DATE	6/19		
SR 30		ROUTE MILEPOST		STRUCTURE NO.	STA 1969+ 75th AVE OP WB & EB
TRACS NO.		H6876 OIL		SR 30, SR 303L TO SR 202L	

NO. 1 DESCRIPTION OF REVISION  
NO. 2 DESCRIPTION OF REVISION  
MADE BY  
DATE  
NO. 1 DESCRIPTION OF REVISION  
NO. 2 DESCRIPTION OF REVISION  
MADE BY  
DATE

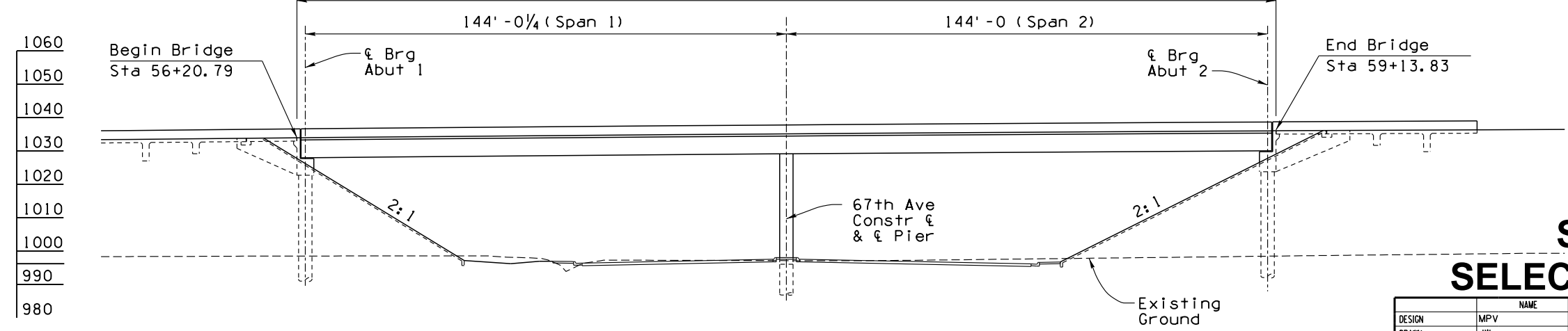
F.H.W.A. REGION	STATE	PROJECT NO.	SHEET NO.	TOTAL SHEETS	RECORD DRAWING
9	ARIZ.				

030 MA 000



PLAN  
Scale: 1" = 20'-0"  
Skew: 4° 11' 49"

Total Length of Bridge = 293'-0 1/4



ELEVATION  
Scale: 1" = 20'-0"

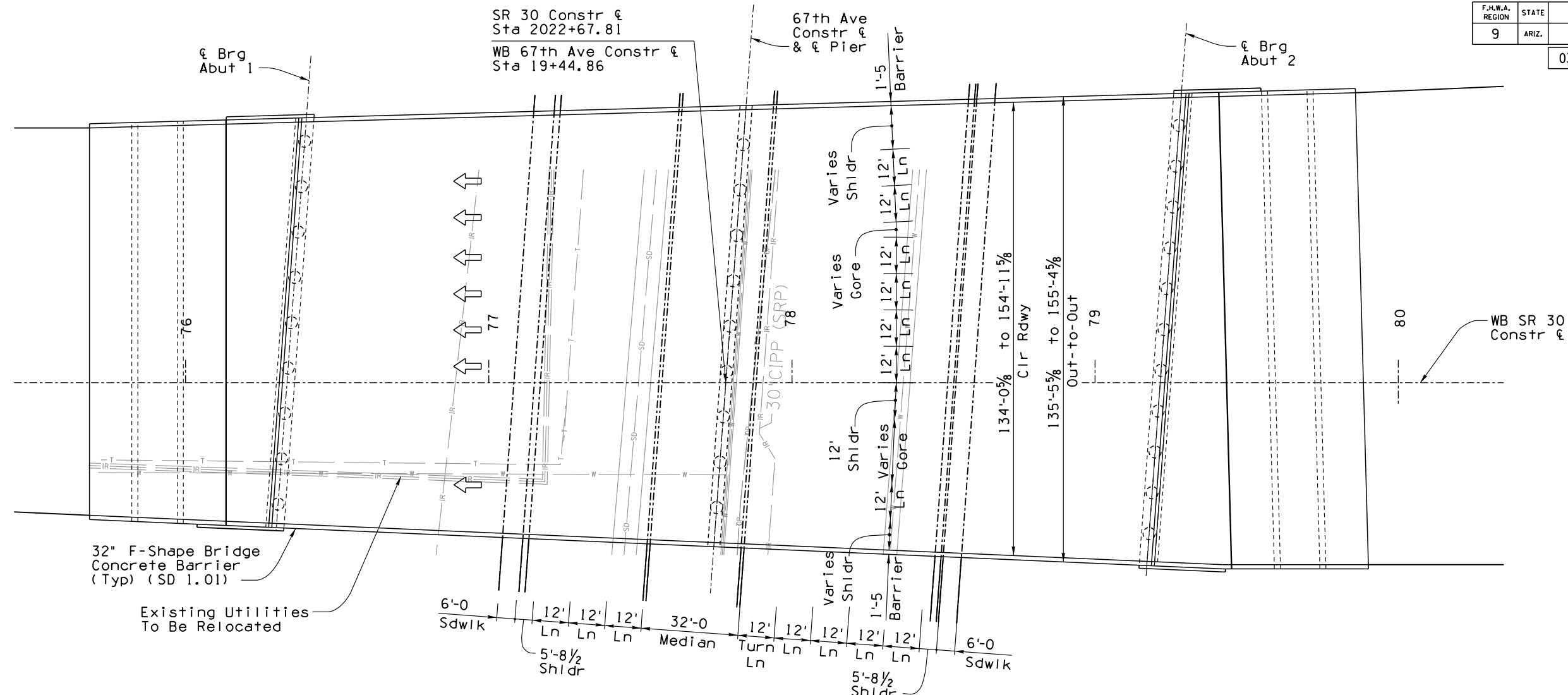
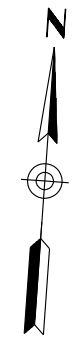
## SECTION 3B-2 SELECTED ALTERNATIVE

DESIGN	MPV	DATE	6/19	ARIZONA DEPARTMENT OF TRANSPORTATION INTERMODAL TRANSPORTATION DIVISION BRIDGE GROUP	L/DCR Review NOT FOR CONSTRUCTION OR RECORDING
DRAWN	JW	DATE	6/19		
CHECKED	KRA	DATE	6/19		
SR 30		ROUTE		STA 2021+ 67th AVE TIOP WB & EB	DWG. NO. S-03.03
TRACS NO.		H6876 OIL		SR 30, SR 303L TO SR 202L	

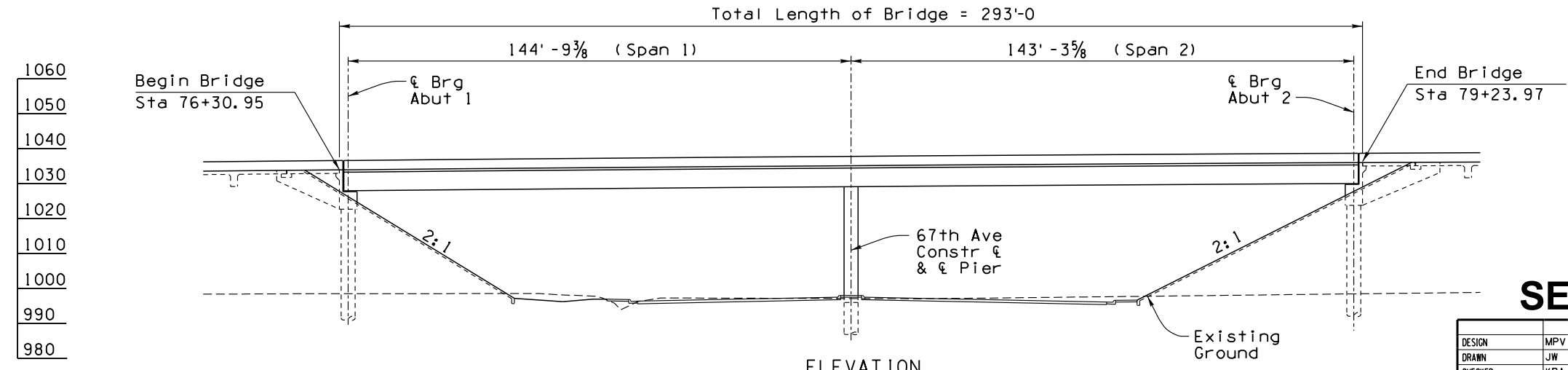
NO. 1 | DESCRIPTION OF REVISION | DATE | MADE BY

F.H.W.A. REGION	STATE	PROJECT NO.	SHEET NO.	TOTAL SHEETS	RECORD DRAWING
9	ARIZ.				

030 MA 000



**PLAN**  
Scale: 1" = 20'-0"  
Skew: 4°11'49"



**ELEVATION**  
Scale: 1" = 20'-0"

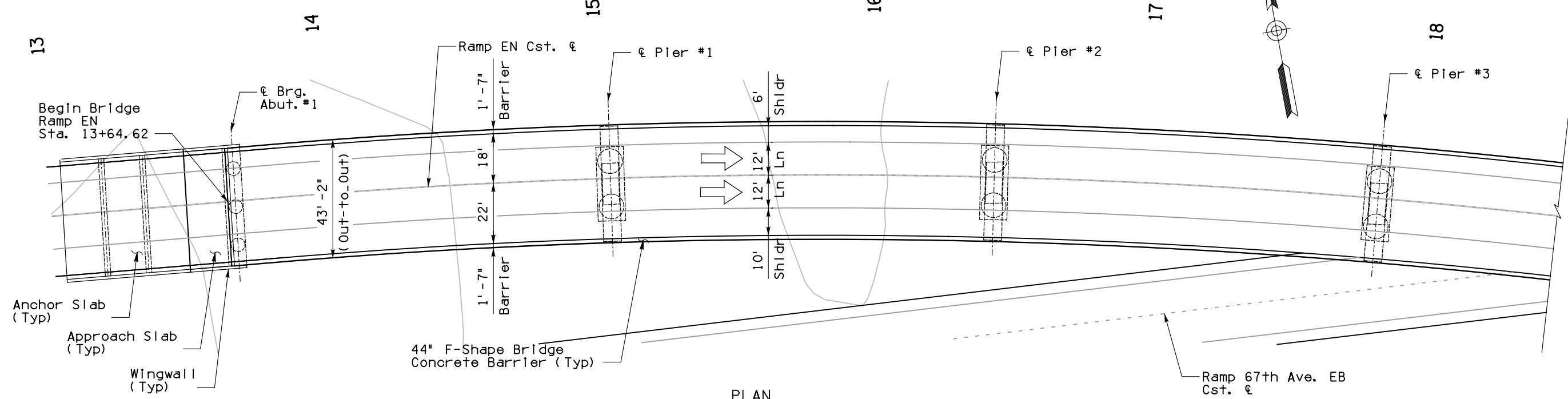
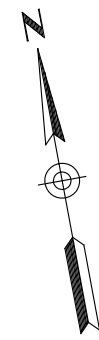
## SECTION 3B-2 SELECTED ALTERNATIVE

DESIGN	MPV	DATE	6/19	ARIZONA DEPARTMENT OF TRANSPORTATION INTERMODAL TRANSPORTATION DIVISION BRIDGE GROUP	<b>L/DCR</b> Review NOT FOR CONSTRUCTION OR RECORDING
DRAWN	JW	DATE	6/19		
CHECKED	KRA	DATE	6/19		
<b>HDR</b>		HDR, INC. 3200 E. CAMELBACK ROAD SUITE 300 PHOENIX, AZ 85018-2311 TEL: (602) 522-7700		STA 2021+ 67th AVE TIOP WB & EB	
SR 30	ROUTE	MILEPOST	STRUCTURE NO.	SR 30, SR 303L TO SR 202L	
TRACS NO.			H6786 OIL	DWG. NO. S-03.04	

NO. 1 DESCRIPTION OF REVISION  
NO. 2 DESCRIPTION OF REVISION

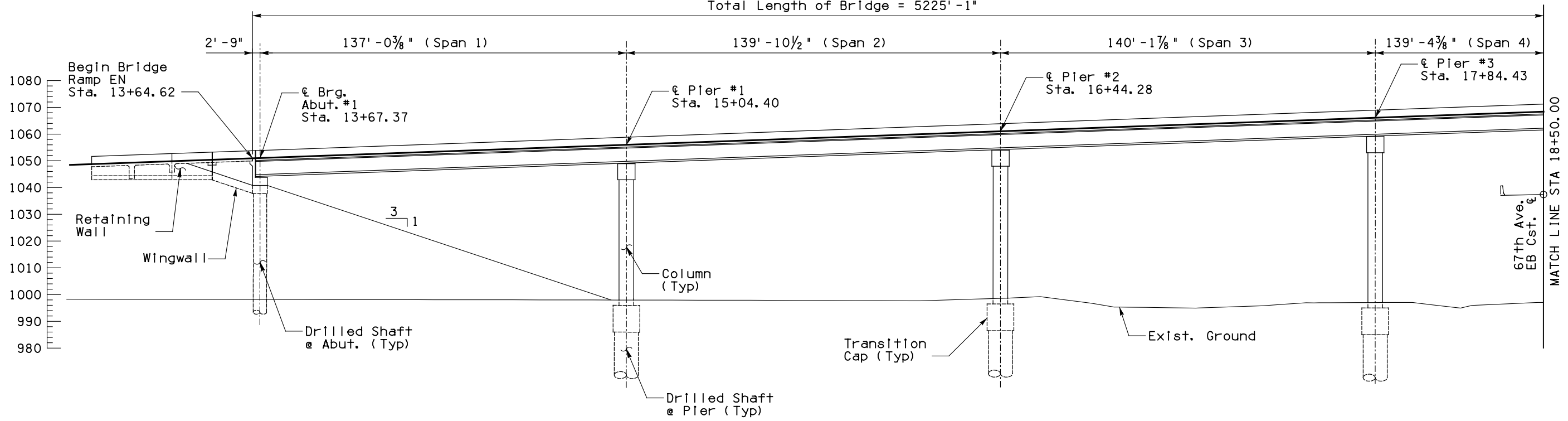
F.H.W.A. REGION	STATE	PROJECT NO.	SHEET NO.	TOTAL SHEETS	RECORD DRAWING
9	ARIZ.				

030 MA 000



**PLAN**  
 34-Span AASHTO Type Super VI Girder Bridge  
 3-Span Continuous Steel Girder Bridge  
 Scale: 1" = 20'-0"  
 Skew = Varies

Total Length of Bridge = 5225'-1"



**ELEVATION**

**SECTION 3B-2  
 SELECTED ALTERNATIVE**

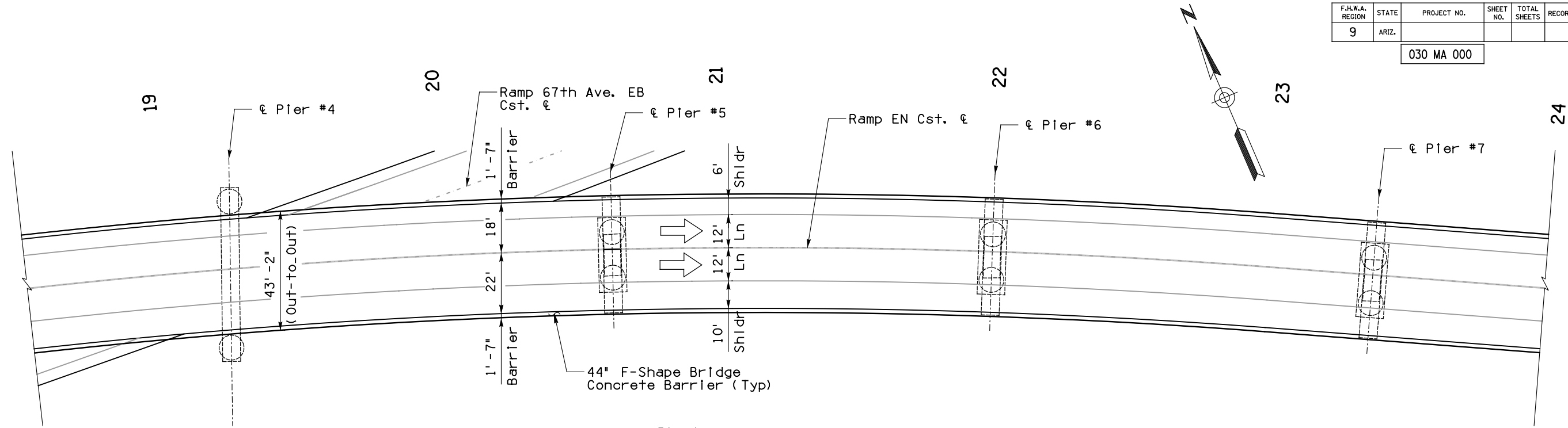
DESIGN	Y PATEL	DATE	05/18	ARIZONA DEPARTMENT OF TRANSPORTATION INFRASTRUCTURE DELIVERY AND OPERATIONS DIVISION <b>BRIDGE GROUP</b>	<b>L/DCR</b> Review NOT FOR CONSTRUCTION OR RECORDING
DRAWN	A MOTHUKURI	DATE	05/18		
CHECKED	S KAYAT	DATE	05/18		
NFra Inc. a transportation engineering firm 77 East Thomas Road, Suite 200 Phoenix, Arizona 85012		LOCATION		SR 30, SR 303L TO SR 202L	
SR 30	ROUTE	MILEPOST	STRUCTURE NO.	DWG NO S-03.05	
TRACS NO.				OF	

NFRA-ADOT\_PDF\_HALF\_PLT  
 NFRA-ADOT\_STRUCT\_TBL

DATE: \_\_\_\_\_ LOCATION: \_\_\_\_\_ REVISIONS: \_\_\_\_\_ FINISHED PLANS: \_\_\_\_\_ SURVEY NO. \_\_\_\_\_

F.H.W.A. REGION	STATE	PROJECT NO.	SHEET NO.	TOTAL SHEETS	RECORD DRAWING
9	ARIZ.				

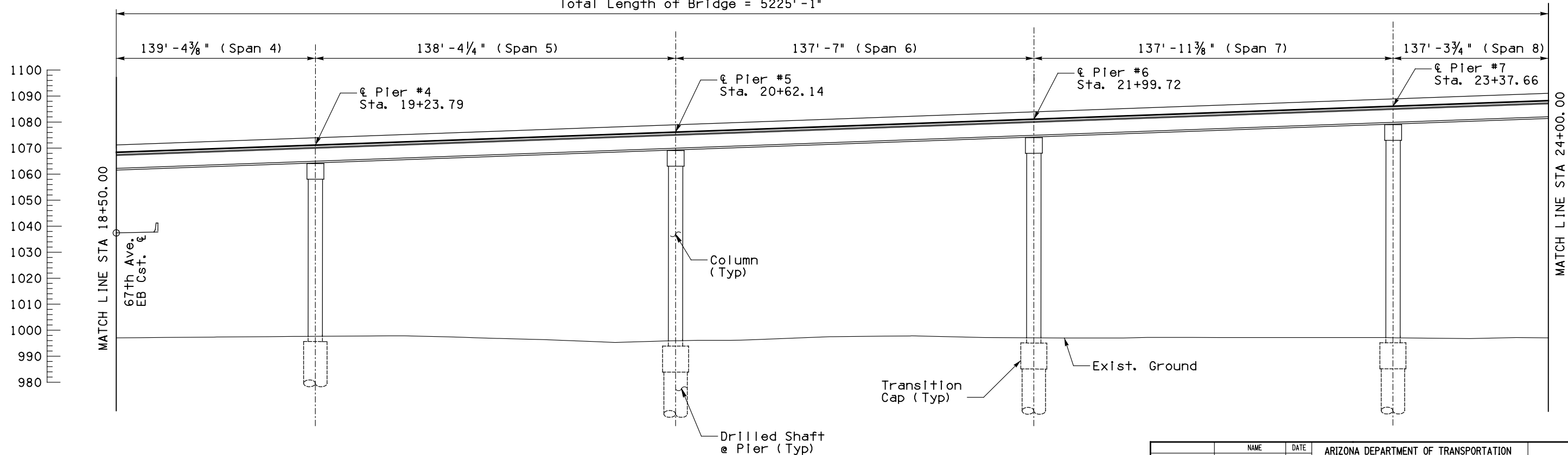
030 MA 000



**PLAN**

34-Span AASHTO Type Super VI Girder Bridge  
 3-Span Continuous Steel Girder Bridge  
 Scale: 1" = 20'-0"  
 Skew = Varies

Total Length of Bridge = 5225'-1"



**ELEVATION**

**SECTION 3B-2  
 SELECTED ALTERNATIVE**

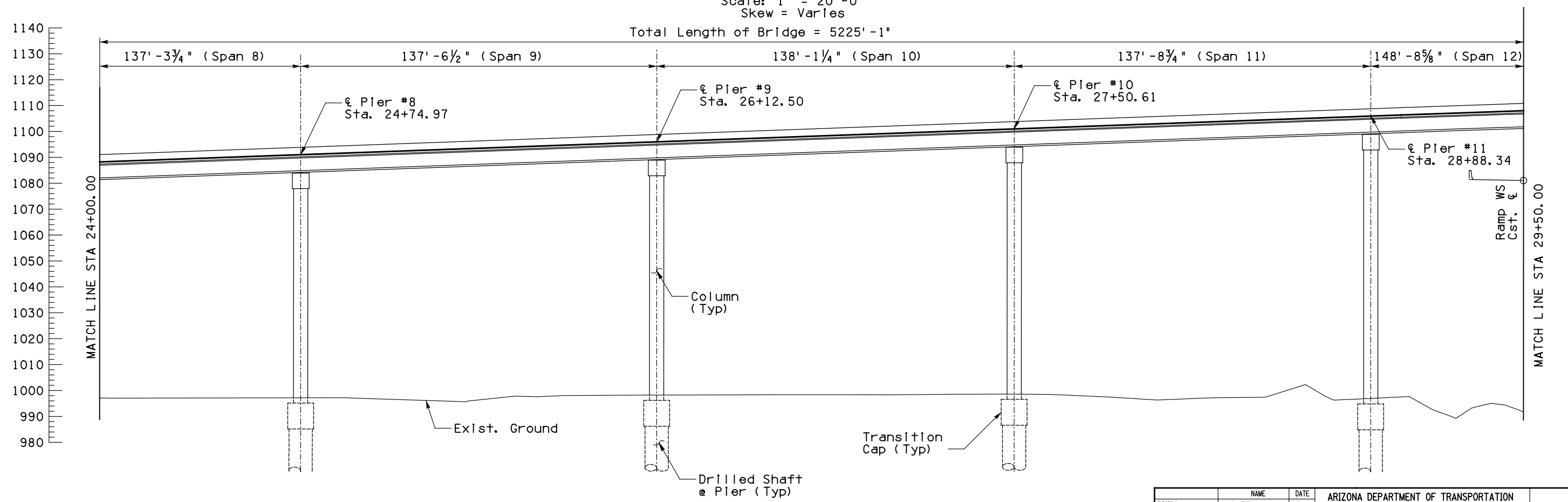
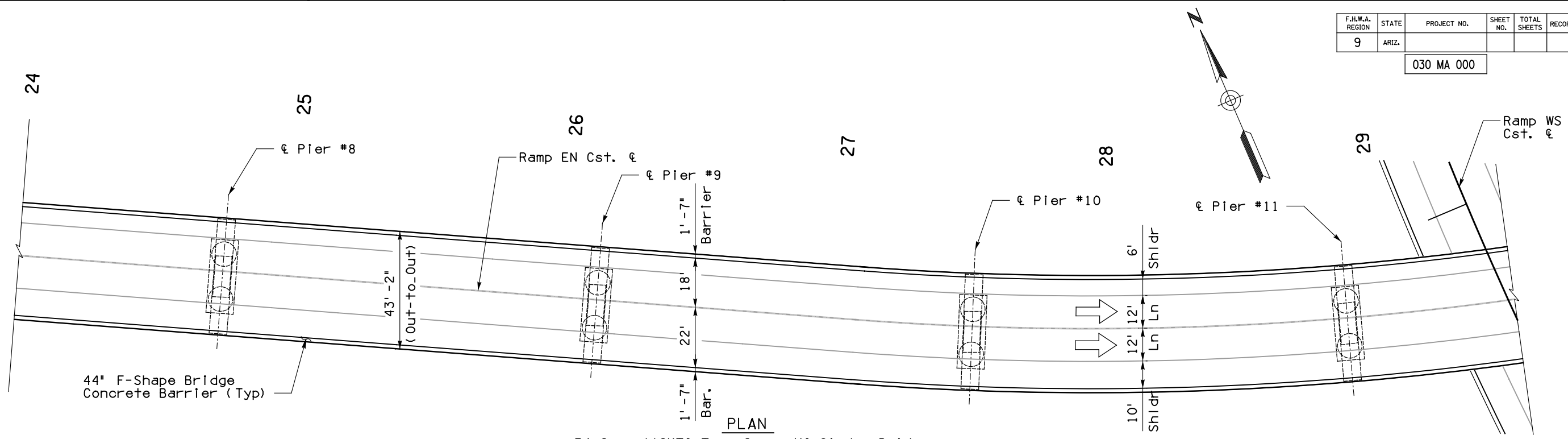
DESIGN	Y PATEL	DATE	05/18	ARIZONA DEPARTMENT OF TRANSPORTATION INFRASTRUCTURE DELIVERY AND OPERATIONS DIVISION <b>BRIDGE GROUP</b>	<b>L/DCR</b> Review NOT FOR CONSTRUCTION OR RECORDING
DRAWN	A MOTHUKURI	DATE	05/18		
CHECKED	S KAYAT	DATE	05/18		
NFra Inc. a transportation engineering firm 77 East Thomas Road, Suite 200 Phoenix, Arizona 85012				<b>RAMP EN</b>	
SR 30	ROUTE	MILEPOST	STRUCTURE NO.		
TRACS NO.				DWG NO S-03.06	
				OF	

NFRA-ADOT\_PDF\_HALF\_PLT  
 NFRA-ADOT\_STRUCT.TBL

DATE- LOCATION- REVISIONS- FINISHED PLANS- SURVEY NO. DATE- LOCATION- REVISIONS- FINISHED PLANS- SURVEY NO.

F.H.W.A. REGION	STATE	PROJECT NO.	SHEET NO.	TOTAL SHEETS	RECORD DRAWING
9	ARIZ.				

030 MA 000



# SECTION 3B-2 SELECTED ALTERNATIVE

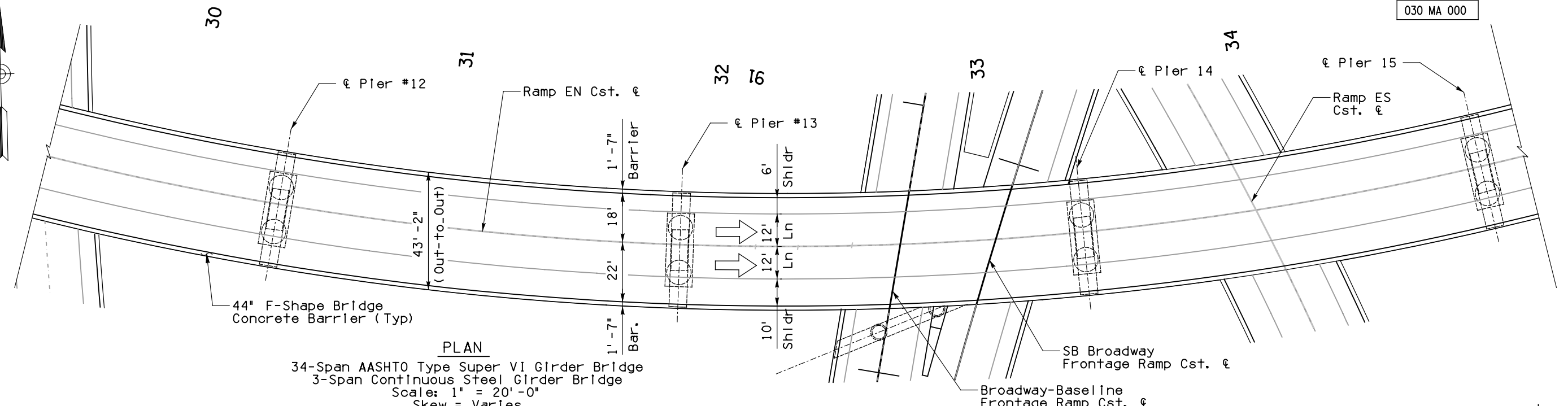
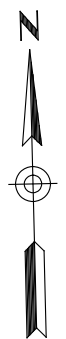
DESIGN	Y PATEL	05/18	ARIZONA DEPARTMENT OF TRANSPORTATION INFRASTRUCTURE DELIVERY AND OPERATIONS DIVISION BRIDGE GROUP	L/DCR Review NOT FOR CONSTRUCTION OR RECORDING
DRAWN	A MOTHUKURI	05/18		
CHECKED	S KAYAT	05/18		
NFra Inc. a transportation engineering firm 77 East Thomas Road, Suite 200 Phoenix, Arizona 85012			RAMP EN	
SR 30	ROUTE	STRUCTURE NO.	LOCATION	DWG NO
			SR 30, SR 303L TO SR 202L	S-03.07
TRACS NO.				OF

NFRA-ADOT\_PDF\_HALF.PLT  
NFRA-ADOT\_STRUCT.TBL

DATE: \_\_\_\_\_ LOCATION: \_\_\_\_\_ REVISIONS: \_\_\_\_\_ FINISHED PLANS: \_\_\_\_\_ SURVEY NO. \_\_\_\_\_ DATE: \_\_\_\_\_ LOCATION: \_\_\_\_\_ REVISIONS: \_\_\_\_\_ FINISHED PLANS: \_\_\_\_\_ SURVEY NO. \_\_\_\_\_

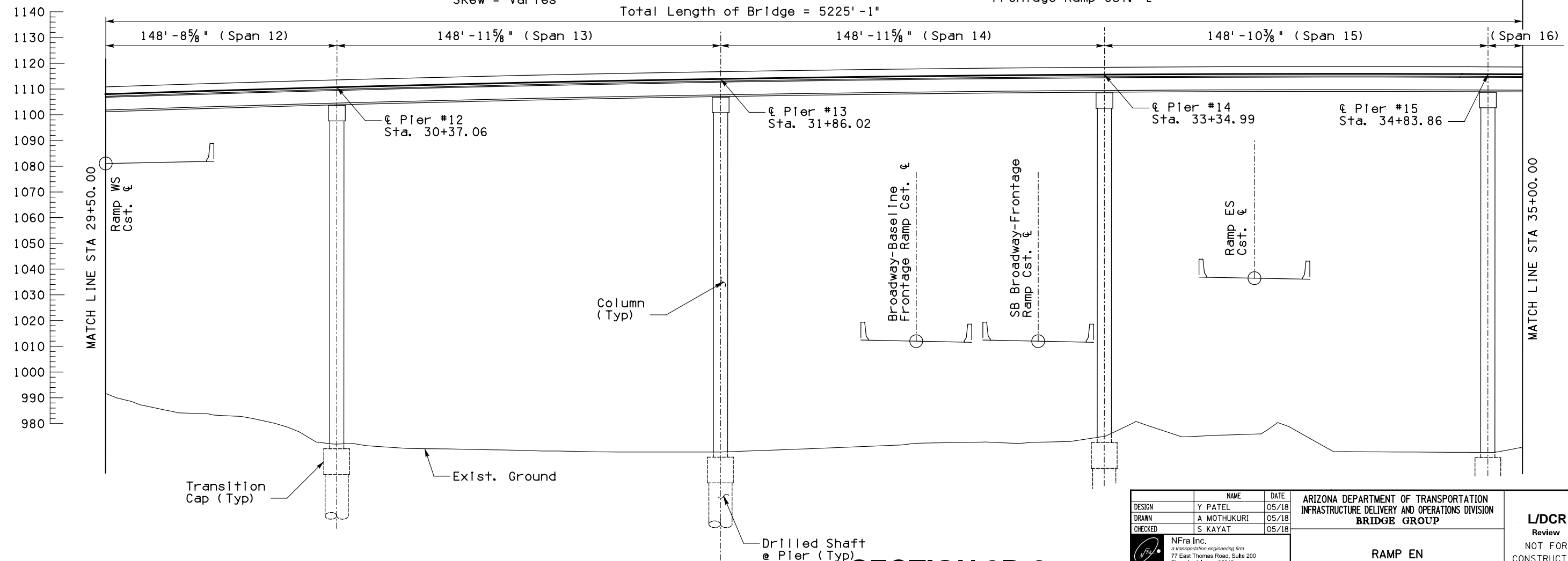
F.H.W.A. REGION	STATE	PROJECT NO.	SHEET NO.	TOTAL SHEETS	RECORD DRAWING
9	ARIZ.				

030 MA 000



**PLAN**  
 34-Span AASHTO Type Super VI Girder Bridge  
 3-Span Continuous Steel Girder Bridge  
 Scale: 1" = 20'-0"  
 Skew = Varies

Total Length of Bridge = 5225'-1"



**ELEVATION**

**SECTION 3B-2**  
**SELECTED ALTERNATIVE**

DESIGN	NAME	DATE
DRAWN	A MOTHUKURI	05/18
CHECKED	S KAYAT	05/18

ARIZONA DEPARTMENT OF TRANSPORTATION  
 INFRASTRUCTURE DELIVERY AND OPERATIONS DIVISION  
**BRIDGE GROUP**

NFra Inc.  
 a transportation engineering firm  
 77 East Thomas Road, Suite 200  
 Phoenix, Arizona 85012

**RAMP EN**

**L/DCR**  
 Review  
 NOT FOR  
 CONSTRUCTION  
 OR RECORDING

SR 30 ROUTE	SR 30 MILEPOST	SR 30 STRUCTURE NO.

LOCATION  
 SR 30, SR 303L TO SR 202L

DWG NO S-03.08

TRACS NO.

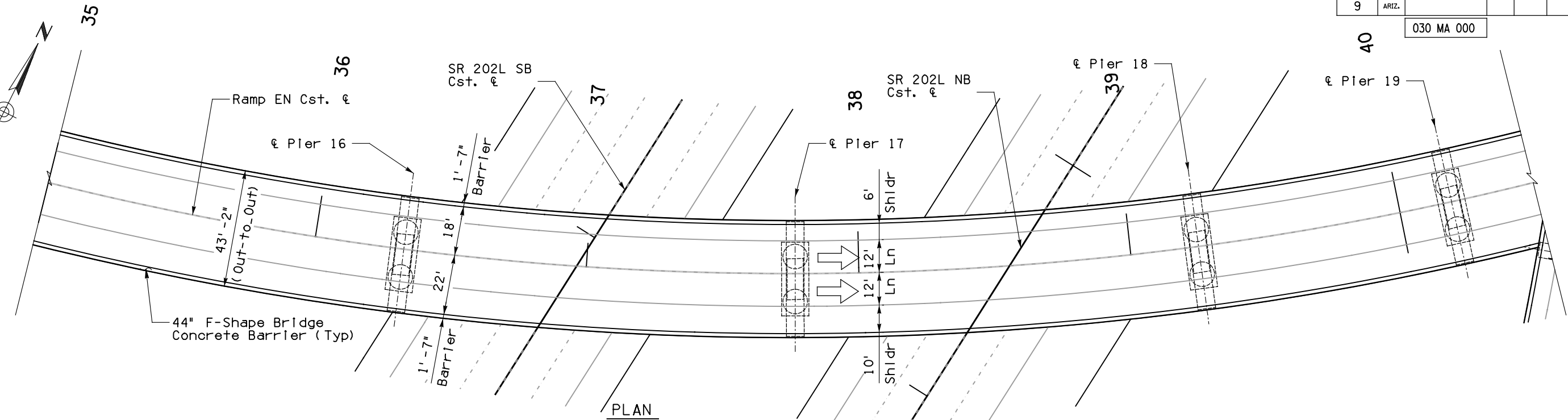
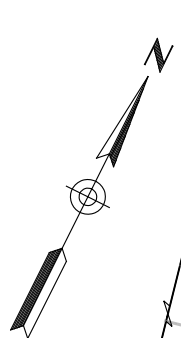
OF

NFRA-ADOT\_PDF\_HALF\_PLT  
NFRA-ADOT\_STRUCT\_TBL

DATE: \_\_\_\_\_ LOCATION: \_\_\_\_\_ REVISIONS: \_\_\_\_\_ FINISHED PLANS: \_\_\_\_\_ SURVEY NO. \_\_\_\_\_ DATE: \_\_\_\_\_ REVISIONS: \_\_\_\_\_ FINISHED PLANS: \_\_\_\_\_ SURVEY NO. \_\_\_\_\_

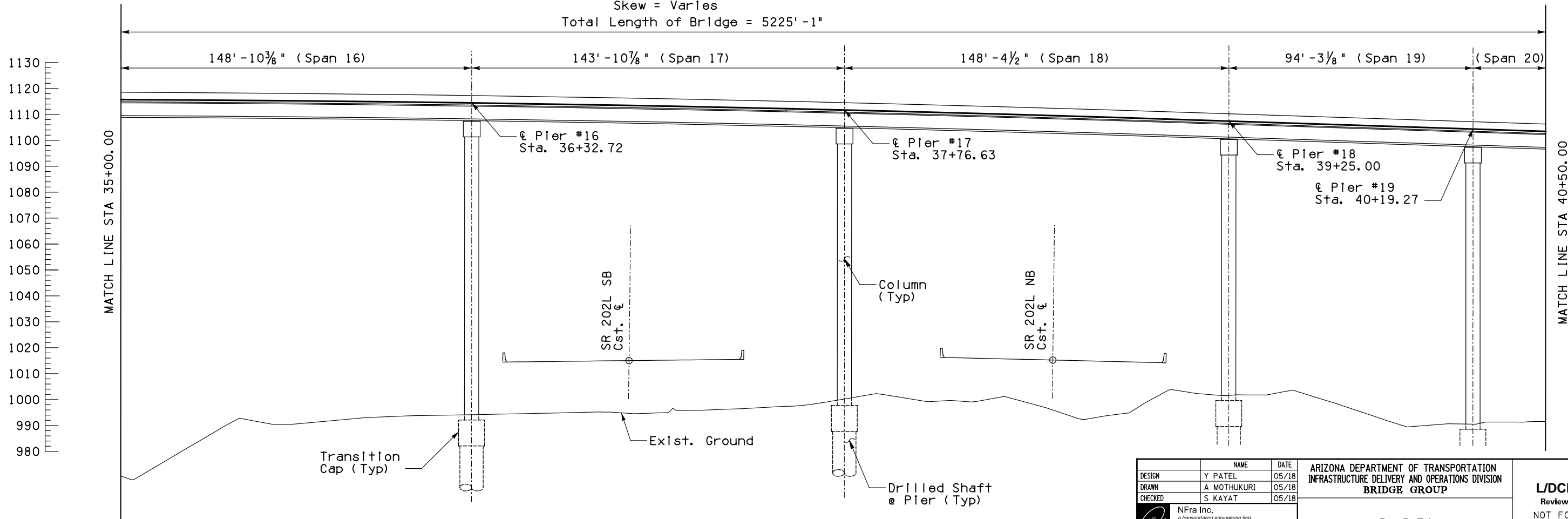
F.H.W.A. REGION	STATE	PROJECT NO.	SHEET NO.	TOTAL SHEETS	RECORD DRAWING
9	ARIZ.				

030 MA 000



**PLAN**  
 34-Span AASHTO Type Super VI Girder Bridge  
 3-Span Continuous Steel Girder Bridge  
 Scale: 1" = 20'-0"  
 Skew = Varies

Total Length of Bridge = 5225' - 1"



**ELEVATION**

**SECTION 3B-2  
 SELECTED ALTERNATIVE**

DESIGN	Y PATEL	05/18	ARIZONA DEPARTMENT OF TRANSPORTATION INFRASTRUCTURE DELIVERY AND OPERATIONS DIVISION <b>BRIDGE GROUP</b>	<b>L/DCR</b> Review NOT FOR CONSTRUCTION OR RECORDING
DRAWN	A MOTHUKURI	05/18		
CHECKED	S KAYAT	05/18		
NFra Inc. a transportation engineering firm 77 East Thomas Road, Suite 200 Phoenix, Arizona 85012			RAMP EN	NOT FOR CONSTRUCTION OR RECORDING
SR 30	ROUTE	STRUCTURE NO.		
TRACS NO.				OF

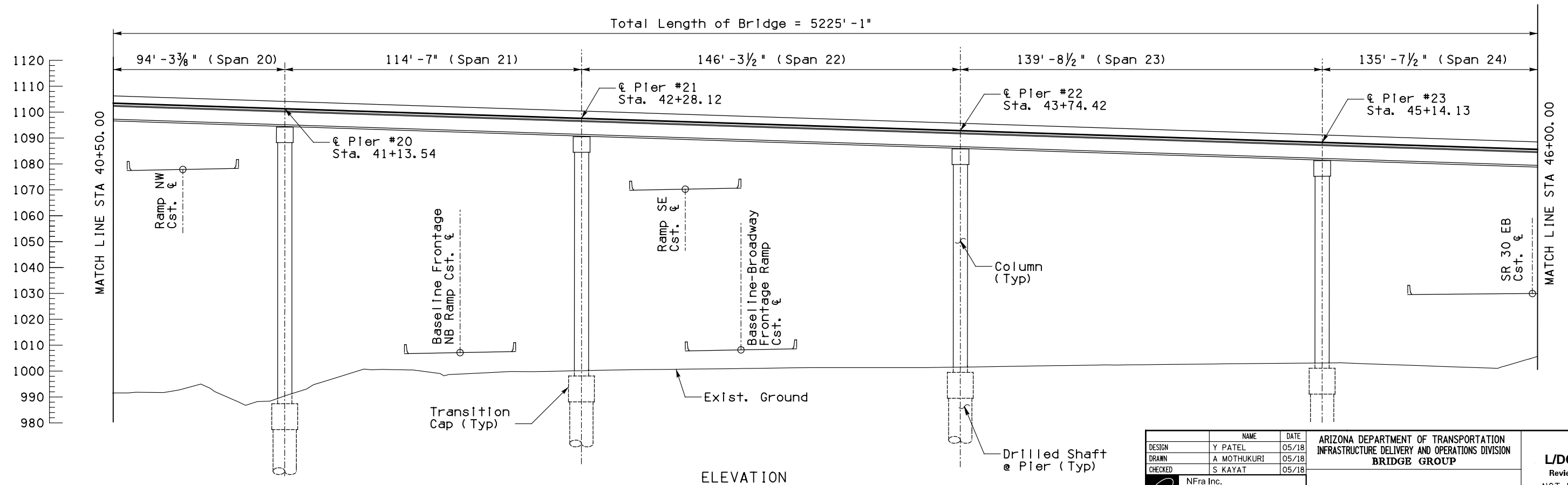
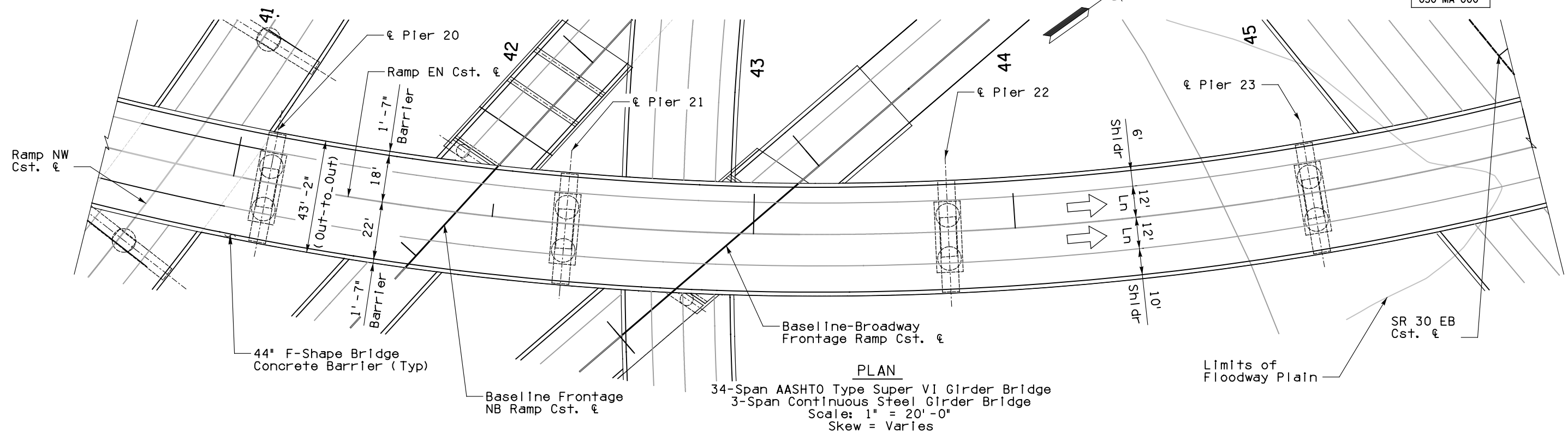
NFRA-ADOT\_PDF\_HALF.PLT  
 NFRA-ADOT\_STRUCT.TBL  
 SURVEY NO.

REVISIONS- FINISHED PLANS- SURVEY NO. DATE- LOCATION- DATE-



F.H.W.A. REGION	STATE	PROJECT NO.	SHEET NO.	TOTAL SHEETS	RECORD DRAWING
9	ARIZ.				

030 MA 000



**SECTION 3B-2  
 SELECTED ALTERNATIVE**

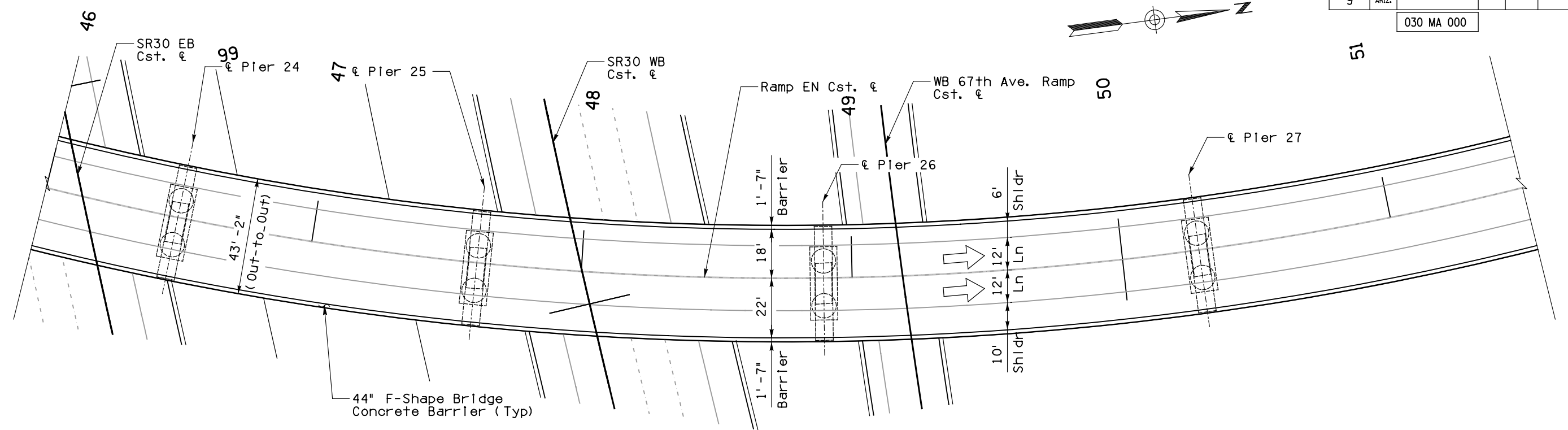
DESIGN	Y PATEL	DATE	05/18	ARIZONA DEPARTMENT OF TRANSPORTATION INFRASTRUCTURE DELIVERY AND OPERATIONS DIVISION <b>BRIDGE GROUP</b>	<b>L/DCR</b> Review NOT FOR CONSTRUCTION OR RECORDING
DRAWN	A MOTHUKURI	DATE	05/18		
CHECKED	S KAYAT	DATE	05/18		
SR 30 ROUTE		MILEPOST		LOCATION	DWG NO.
TRACS NO.				SR 30, SR 303L TO SR 202L	S-03.10
					OF

NFRA-ADOT\_PDF\_HALF\_PLT  
NFRA-ADOT\_STRUCTURE\_TBL

DATE: \_\_\_\_\_ LOCATION: \_\_\_\_\_ REVISIONS: \_\_\_\_\_ FINISHED PLANS: \_\_\_\_\_ SURVEY NO. \_\_\_\_\_

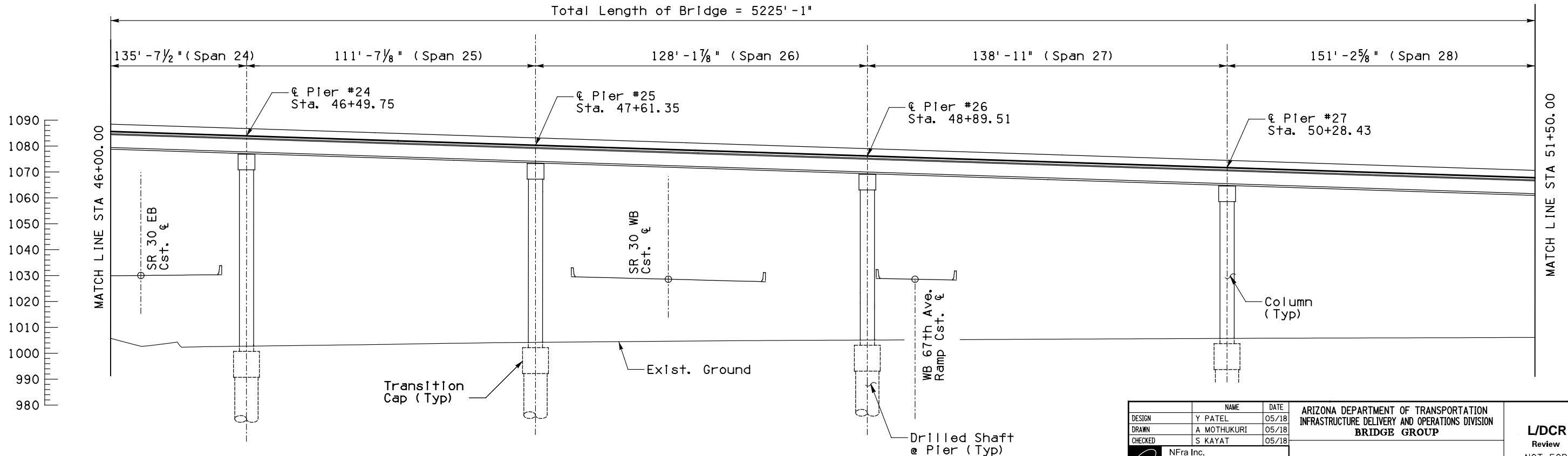
F.H.W.A. REGION	STATE	PROJECT NO.	SHEET NO.	TOTAL SHEETS	RECORD DRAWING
9	ARIZ.				

030 MA 000



**PLAN**  
 34-Span AASHTO Type Super VI Girder Bridge  
 3-Span Continuous Steel Girder Bridge  
 Scale: 1" = 20'-0"  
 Skew = Varies

Total Length of Bridge = 5225'-1"



**ELEVATION**

**SECTION 3B-2**  
**SELECTED ALTERNATIVE**

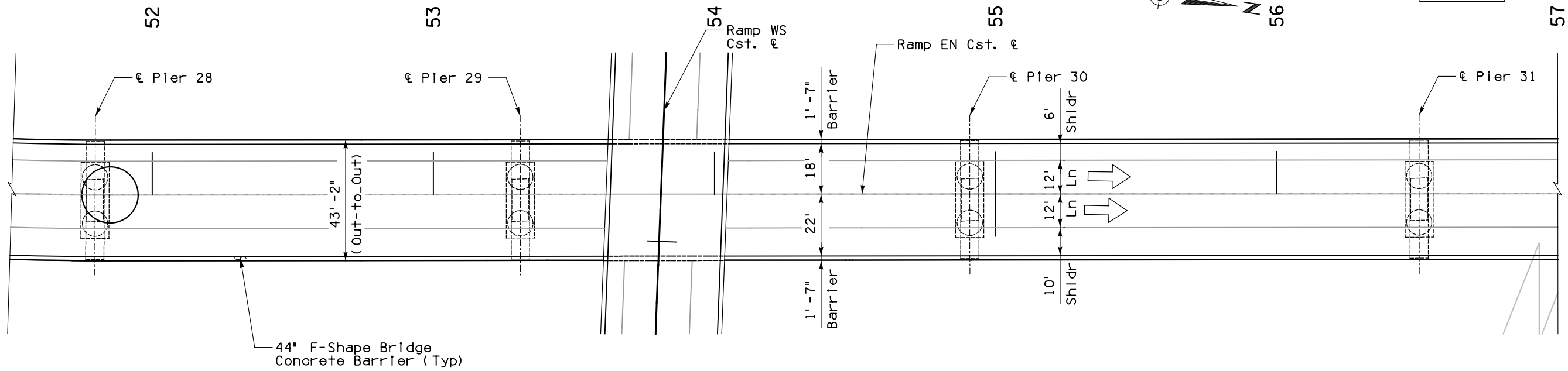
DESIGN	Y PATEL	DATE	05/18	ARIZONA DEPARTMENT OF TRANSPORTATION INFRASTRUCTURE DELIVERY AND OPERATIONS DIVISION <b>BRIDGE GROUP</b>	<b>L/DCR</b> Review NOT FOR CONSTRUCTION OR RECORDING
DRAWN	A MOTHUKURI	DATE	05/18		
CHECKED	S KAYAT	DATE	05/18		
NFra Inc. a transportation engineering firm 77 East Thomas Road, Suite 200 Phoenix, Arizona 85012				LOCATION SR 30, SR 303L TO SR 202L	DWG NO. S-03.11
SR 30	ROUTE	MILEPOST	STRUCTURE NO.		
TRACS NO.					OF

NFRA-ADOT\_PDF\_HALF\_PLT  
 NFRA-ADOT\_STRUCT\_TBL  
 SURVEY NO.

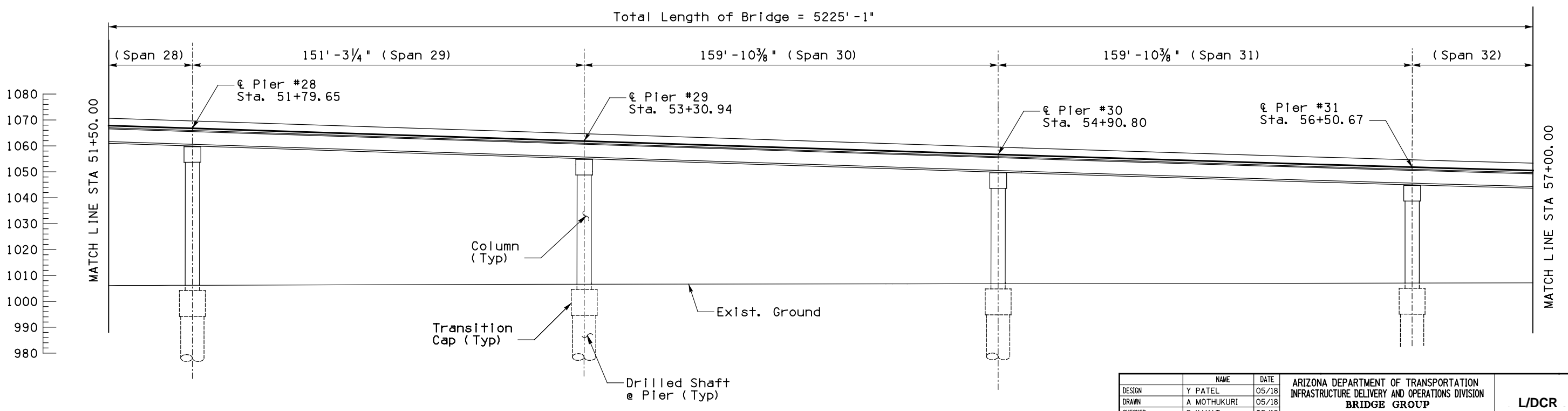
DATE: \_\_\_\_\_  
 LOCATION: \_\_\_\_\_  
 REVISIONS: \_\_\_\_\_  
 FINISHED PLANS: \_\_\_\_\_  
 SURVEY NO. \_\_\_\_\_  
 DATE: \_\_\_\_\_  
 LOCATION: \_\_\_\_\_  
 REVISIONS: \_\_\_\_\_  
 FINISHED PLANS: \_\_\_\_\_  
 SURVEY NO. \_\_\_\_\_

F.H.W.A. REGION	STATE	PROJECT NO.	SHEET NO.	TOTAL SHEETS	RECORD DRAWING
9	ARIZ.				

030 MA 000



**PLAN**  
 34-Span AASHTO Type Super VI Girder Bridge  
 3-Span Continuous Steel Girder Bridge  
 Scale: 1" = 20'-0"  
 Skew = Varies



**ELEVATION**

**SECTION 3B-2  
 SELECTED ALTERNATIVE**

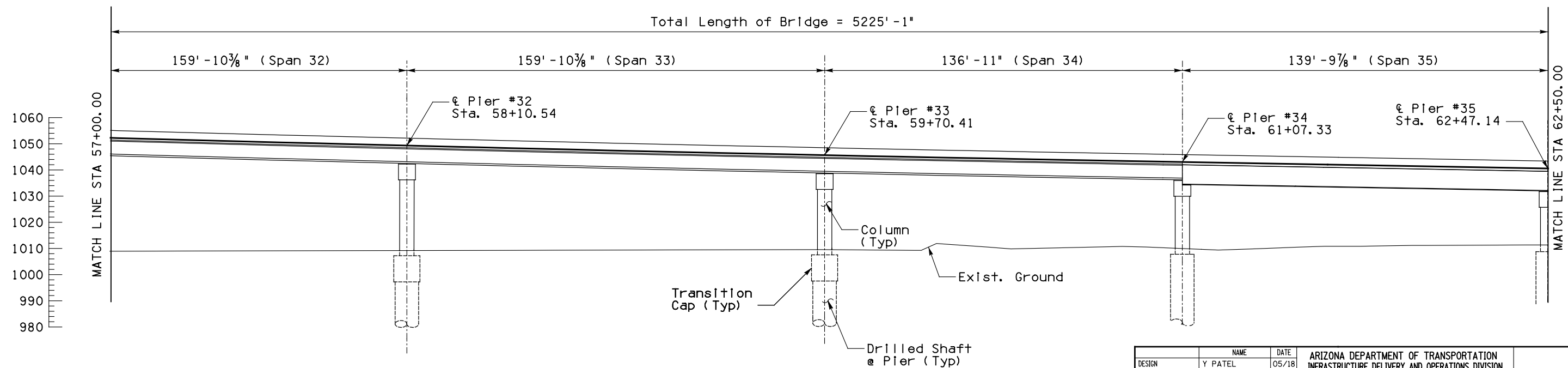
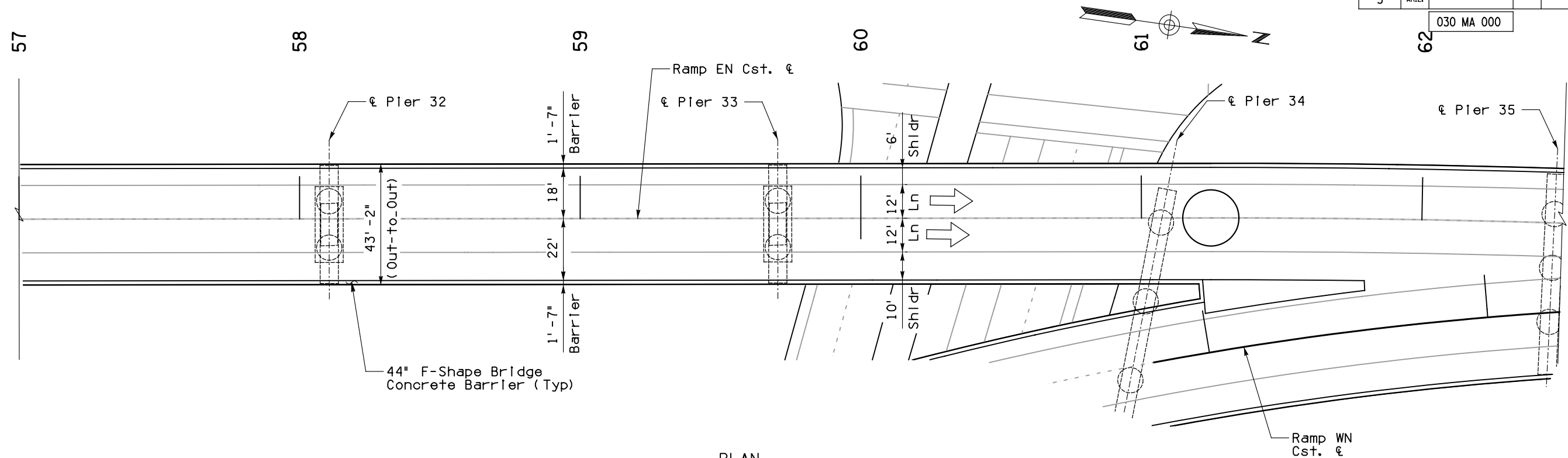
DESIGN	Y PATEL	DATE	05/18	ARIZONA DEPARTMENT OF TRANSPORTATION INFRASTRUCTURE DELIVERY AND OPERATIONS DIVISION <b>BRIDGE GROUP</b>	<b>L/DCR</b> Review NOT FOR CONSTRUCTION OR RECORDING
DRAWN	A MOTHUKURI	DATE	05/18		
CHECKED	S KAYAT	DATE	05/18		
NFra Inc. a transportation engineering firm 77 East Thomas Road, Suite 200 Phoenix, Arizona 85012				<b>RAMP EN</b>  LOCATION SR 30, SR 303L TO SR 202L	
SR 30	ROUTE	MILEPOST	STRUCTURE NO.		
TRACS NO.				OF	

NFRA-ADOT\_PDF\_HALF.PLT  
 NFRA-ADOT\_STRUCTURE.TBL

DATE: \_\_\_\_\_ LOCATION: \_\_\_\_\_ REVISIONS: \_\_\_\_\_ FINISHED PLANS: \_\_\_\_\_ SURVEY NO. \_\_\_\_\_ DATE: \_\_\_\_\_ LOCATION: \_\_\_\_\_ REVISIONS: \_\_\_\_\_ FINISHED PLANS: \_\_\_\_\_ SURVEY NO. \_\_\_\_\_

F.H.W.A. REGION	STATE	PROJECT NO.	SHEET NO.	TOTAL SHEETS	RECORD DRAWING
9	ARIZ.				

030 MA 000



## SECTION 3B-2 SELECTED ALTERNATIVE

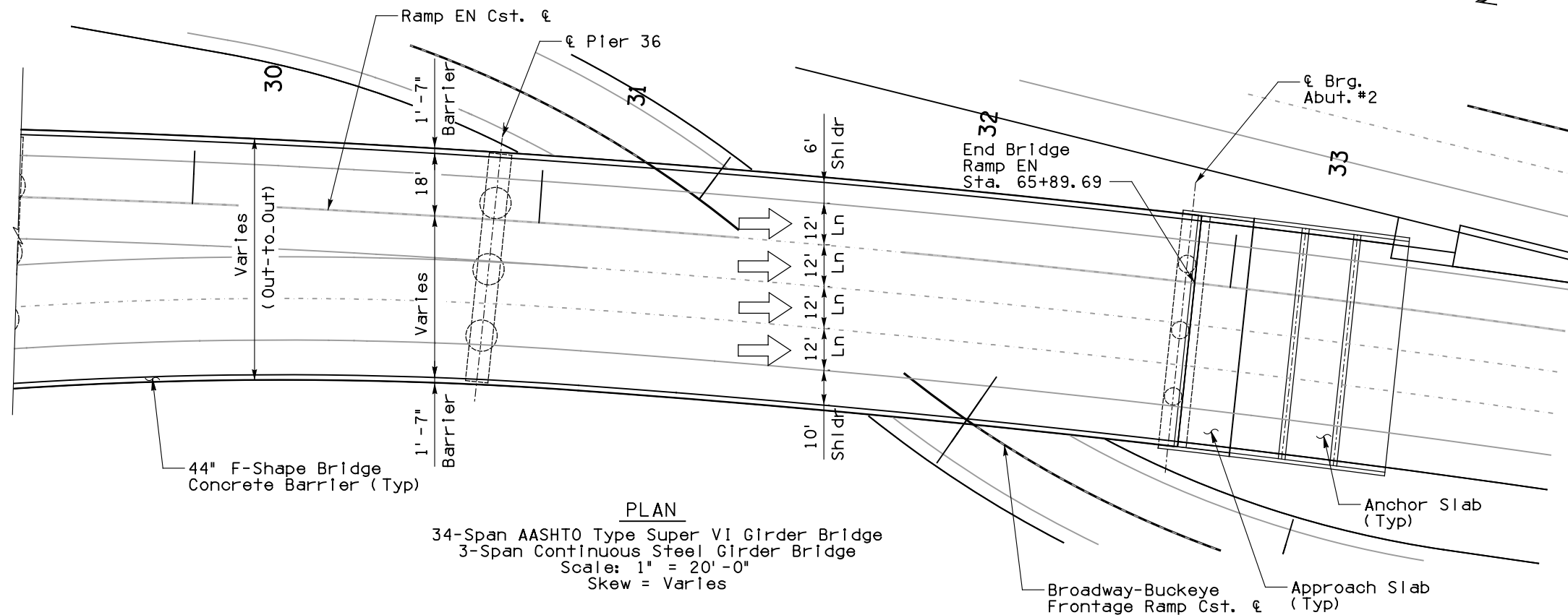
DESIGN	NAME	DATE	ARIZONA DEPARTMENT OF TRANSPORTATION INFRASTRUCTURE DELIVERY AND OPERATIONS DIVISION BRIDGE GROUP	L/DCR Review NOT FOR CONSTRUCTION OR RECORDING
DRAWN	A MOTHUKURI	05/18		
CHECKED	S KAYAT	05/18		
NFra Inc. a transportation engineering firm 77 East Thomas Road, Suite 200 Phoenix, Arizona 85012			RAMP EN	
SR 30	ROUTE	STRUCTURE NO.	LOCATION	DWG NO
			SR 30, SR 303L TO SR 202L	S-03.13
TRACS NO.				OF

NFRA-ADOT\_PDF\_HALF.PLT  
NFRA-ADOT\_STRUCT.TBL

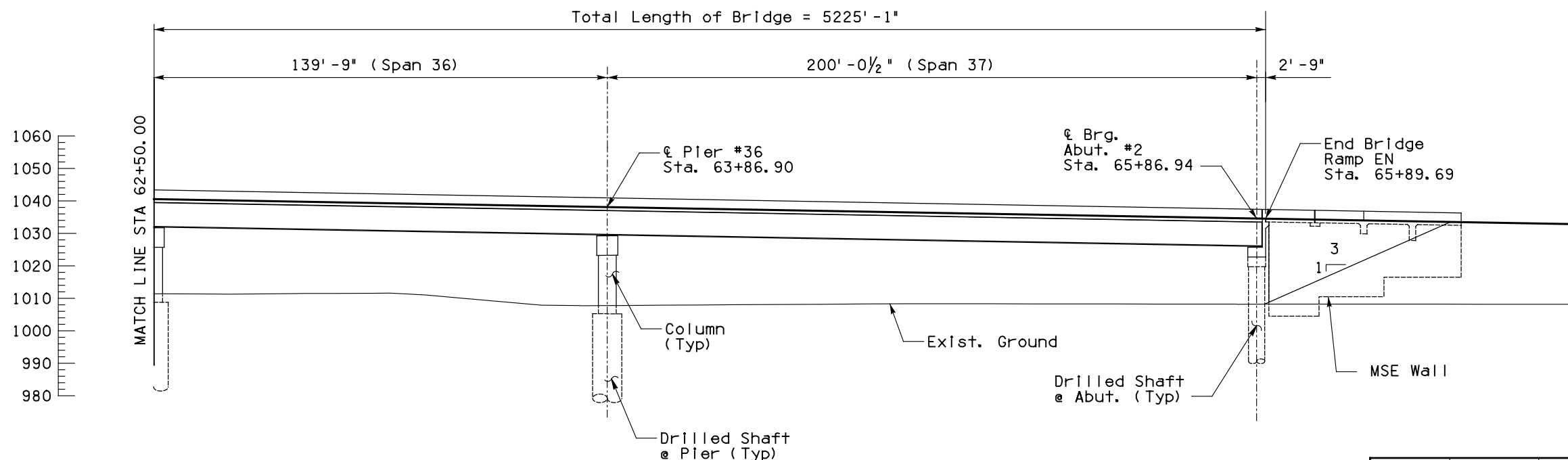
DATE- LOCATION- REVISIONS- FINISHED PLANS- SURVEY NO. DATE- LOCATION- REVISIONS- FINISHED PLANS- SURVEY NO.

F.H.W.A. REGION	STATE	PROJECT NO.	SHEET NO.	TOTAL SHEETS	RECORD DRAWING
9	ARIZ.				

030 MA 000



**PLAN**  
 34-Span AASHTO Type Super VI Girder Bridge  
 3-Span Continuous Steel Girder Bridge  
 Scale: 1" = 20'-0"  
 Skew = Varies



**ELEVATION**

# SECTION 3B-2 SELECTED ALTERNATIVE

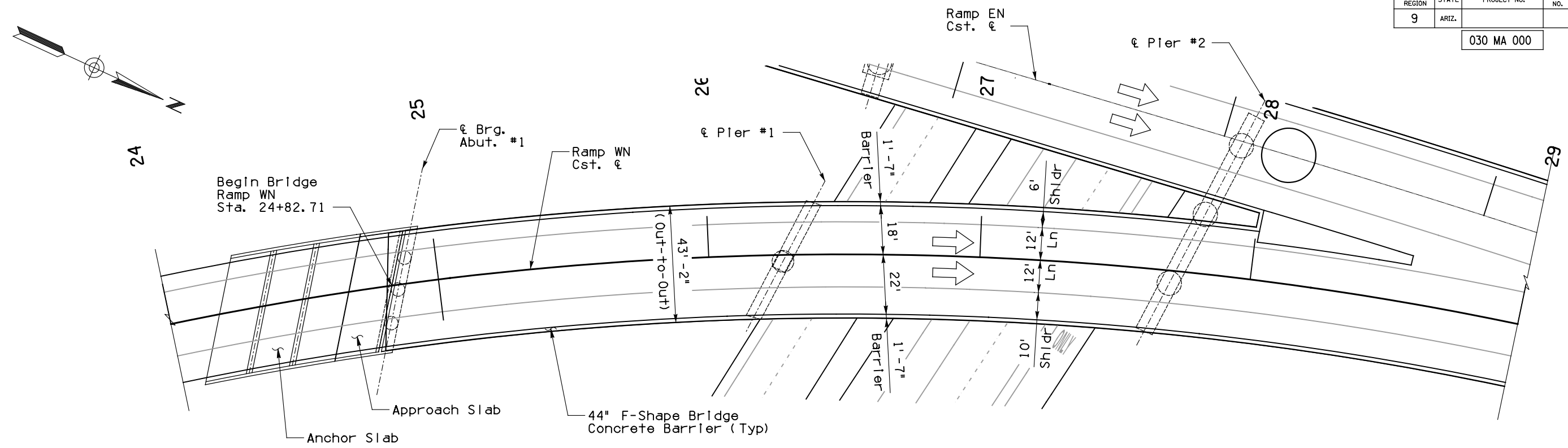
DESIGN	NAME	DATE	ARIZONA DEPARTMENT OF TRANSPORTATION INFRASTRUCTURE DELIVERY AND OPERATIONS DIVISION <b>BRIDGE GROUP</b>	L/DCR Review NOT FOR CONSTRUCTION OR RECORDING
DRAWN	Y PATEL	05/18		
CHECKED	A MOTHUKURI	05/18		
	S KAYAT	05/18	<b>RAMP EN</b>	
SR 30	ROUTE	STRUCTURE NO.	LOCATION	DWG NO
			SR 30, SR 303L TO SR 202L	S-03.14
TRACS NO.				OF

NFRA-ADOT\_PDF\_HALF\_PLT  
NFRA-ADOT\_STRUCT\_TBL

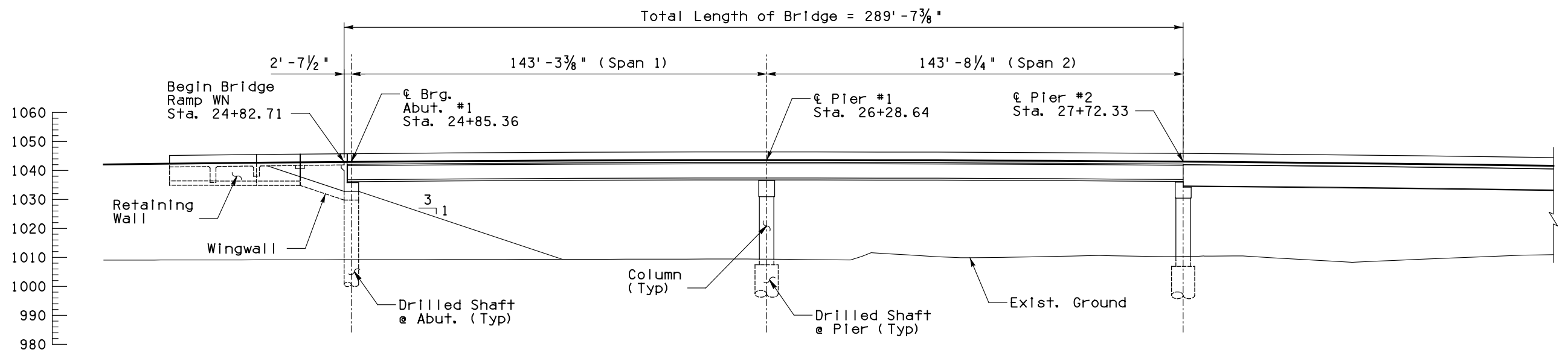
DATE: \_\_\_\_\_ LOCATION: \_\_\_\_\_ REVISIONS: \_\_\_\_\_ FINISHED PLANS: \_\_\_\_\_ SURVEY NO. \_\_\_\_\_

F.H.W.A. REGION	STATE	PROJECT NO.	SHEET NO.	TOTAL SHEETS	RECORD DRAWING
9	ARIZ.				

030 MA 000



**PLAN**  
 2-Span AASHTO Type Super VI Girder Bridge  
 Scale: 1" = 20'-0"  
 Skew = Varies



**ELEVATION**

**SECTION 3B-2  
 SELECTED ALTERNATIVE**

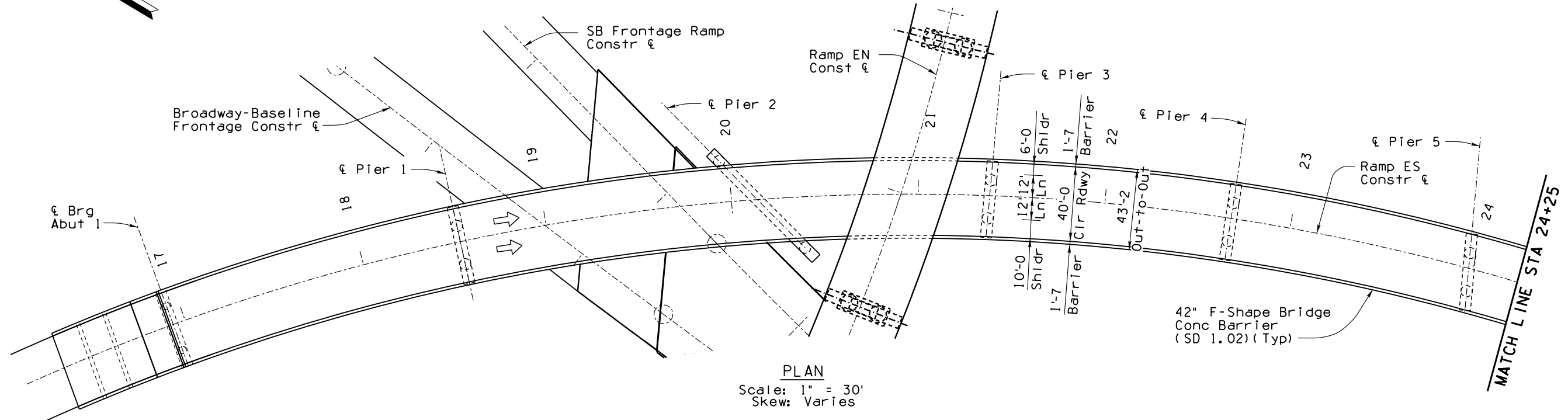
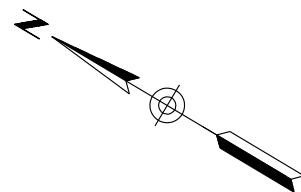
DESIGN	NAME	DATE	ARIZONA DEPARTMENT OF TRANSPORTATION INFRASTRUCTURE DELIVERY AND OPERATIONS DIVISION <b>BRIDGE GROUP</b>	<b>L/DCR</b> Review NOT FOR CONSTRUCTION OR RECORDING
DRAWN	Y PATEL	05/18		
CHECKED	A MOTHUKURI	05/18		
	S KAYAT	05/18	<b>RAMP WN</b>	
SR 30	ROUTE	STRUCTURE NO.	LOCATION	DWG NO
			SR 30, SR 303L TO SR 202L	S-03.15
TRACS NO.				OF

NFRA-ADOT\_PDF\_HALF.PLT  
NFRA-ADOT\_STRUCT.TBL

DATE: LOCATION: REVISIONS: FINISHED PLANS: SURVEY NO. DATE: LOCATION: REVISIONS: FINISHED PLANS: SURVEY NO.

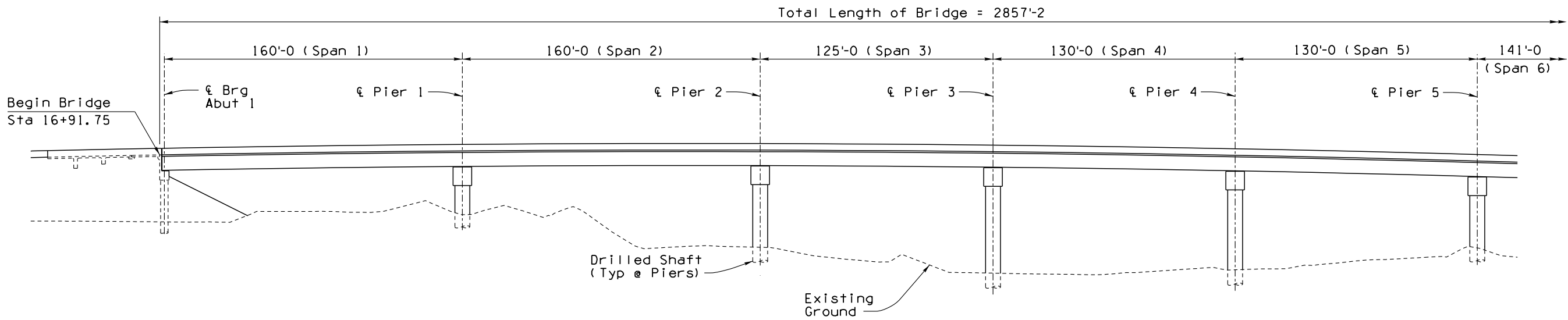
F.H.W.A. REGION	STATE	PROJECT NO.	SHEET NO.	TOTAL SHEETS	RECORD DRAWING
9	ARIZ.				

030 MA 000



PLAN  
Scale: 1" = 30'  
Skew: Varies

1070
1060
1050
1040
1030
1020
1010
1000
990
980
970



ELEVATION

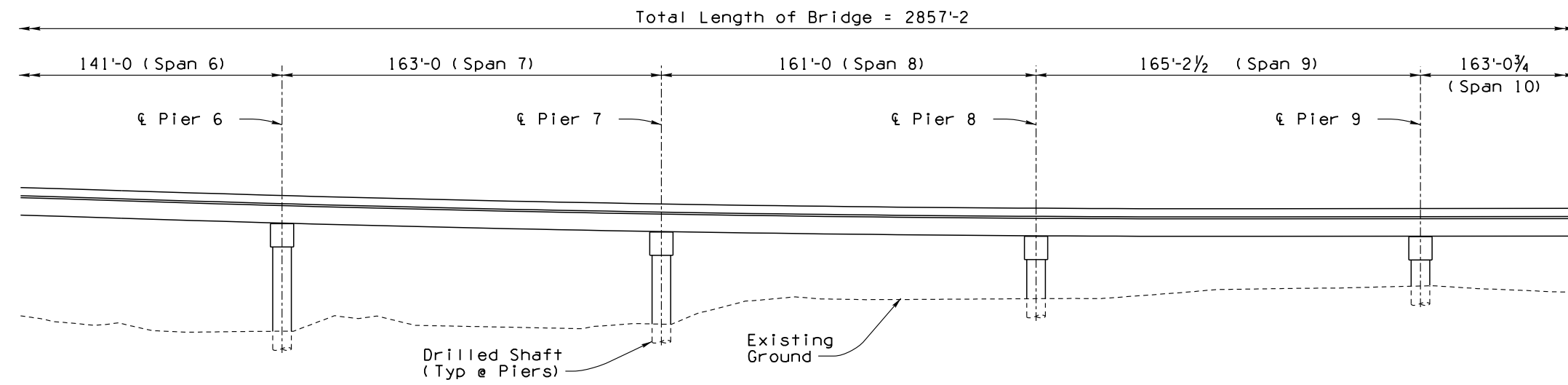
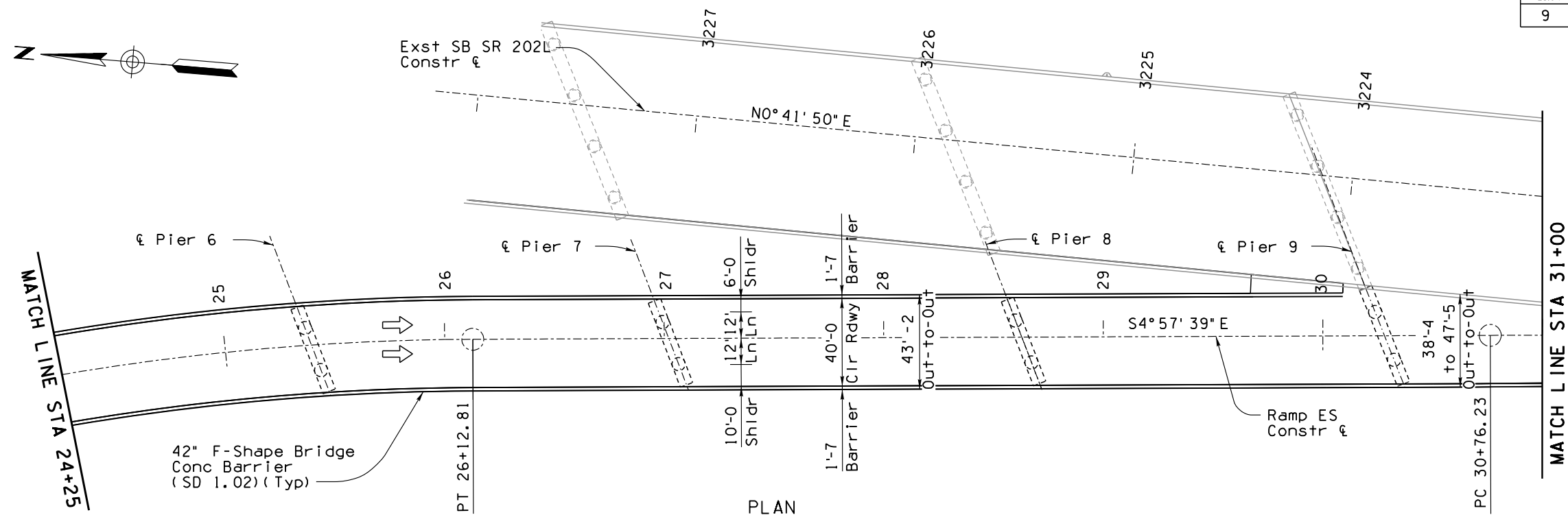
# SECTION 3B-2 SELECTED ALTERNATIVE

DESIGN		BK	DATE	6/19	ARIZONA DEPARTMENT OF TRANSPORTATION INTERMODAL TRANSPORTATION DIVISION BRIDGE GROUP	L/DCR Review NOT FOR CONSTRUCTION OR RECORDING
DRAWN		JW	DATE	6/19		
CHECKED		KRA	DATE	6/19		
SR 30		ROUTE		MILEPOST	STRUCTURE NO.	SR 30, SR 303L TO SR 202L
TRACS NO.		H6876 OIL				
HDR, INC. 3200 E. CAMELBACK ROAD SUITE 300 PHOENIX, AZ 85018-2311 TEL: (602) 522-7700						DWG. NO. S-03.17
STA 413+ RAMP ES						OF

NO. 1 DESCRIPTION OF REVISION DATE MADE BY NO. 2 DESCRIPTION OF REVISION DATE MADE BY

F.H.W.A. REGION	STATE	PROJECT NO.	SHEET NO.	TOTAL SHEETS	RECORD DRAWING
9	ARIZ.				

030 MA 000



1070
1060
1050
1040
1030
1020
1010
1000
990
980
970

# SECTION 3B-2 SELECTED ALTERNATIVE

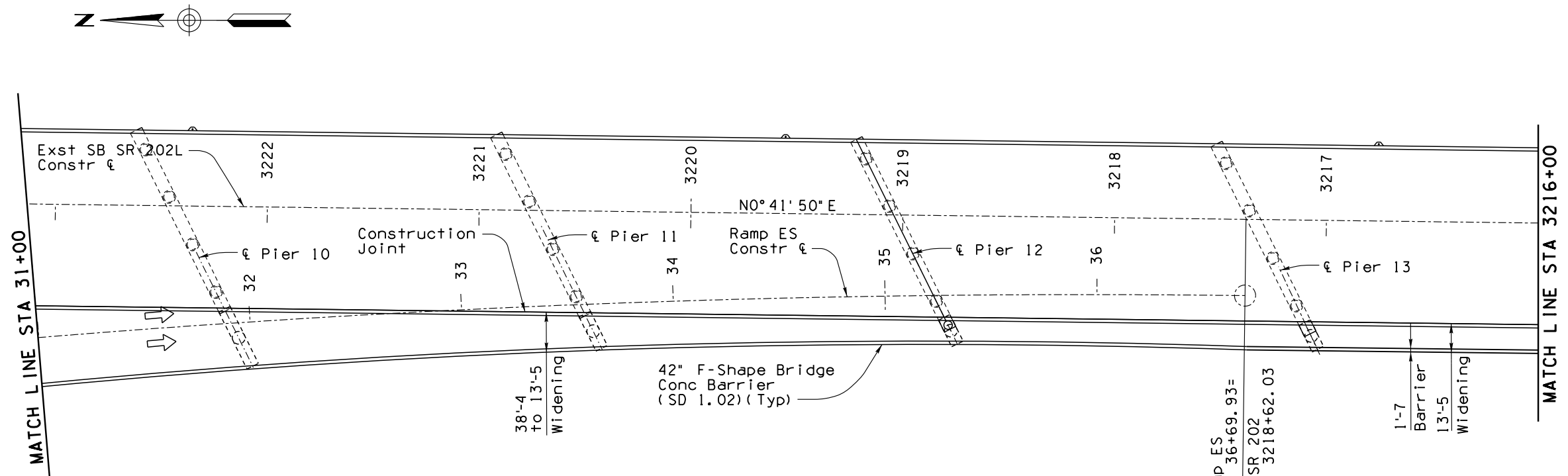
DESIGN	BK	DATE	6/19	ARIZONA DEPARTMENT OF TRANSPORTATION INTERMODAL TRANSPORTATION DIVISION BRIDGE GROUP	L/DCR Review NOT FOR CONSTRUCTION OR RECORDING
DRAWN	JW	DATE	6/19		
CHECKED	KRA	DATE	6/19		
SR 30		ROUTE MILEPOST		SR 30, SR 303L TO SR 202L	DWG. NO. S-03.18
TRACS NO.		H6876 OIL		OF	

NO. 1 | DESCRIPTION OF REVISION | DATE | MADE BY

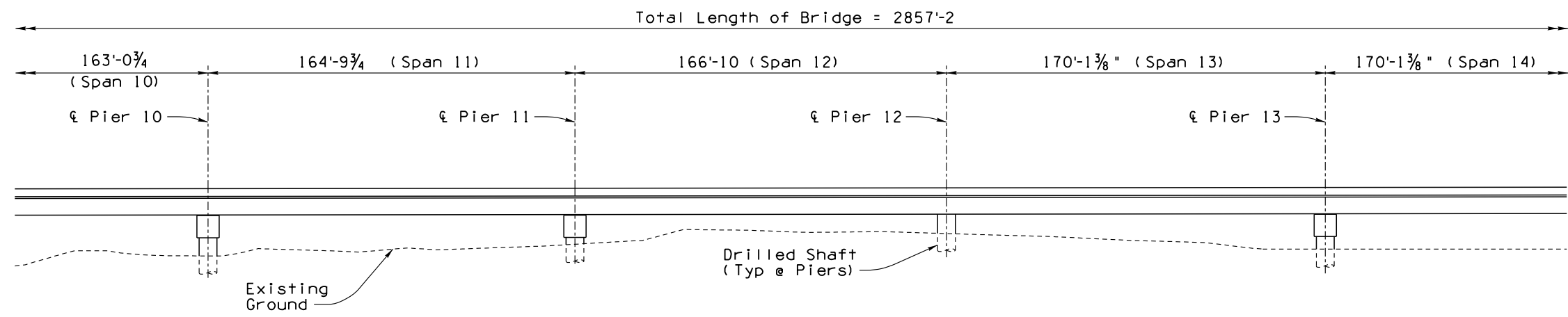


F.H.W.A. REGION	STATE	PROJECT NO.	SHEET NO.	TOTAL SHEETS	RECORD DRAWING
9	ARIZ.				

030 MA 000



PLAN  
Scale: 1" = 30'  
Skew: Varies



ELEVATION

## SECTION 3B-2 SELECTED ALTERNATIVE

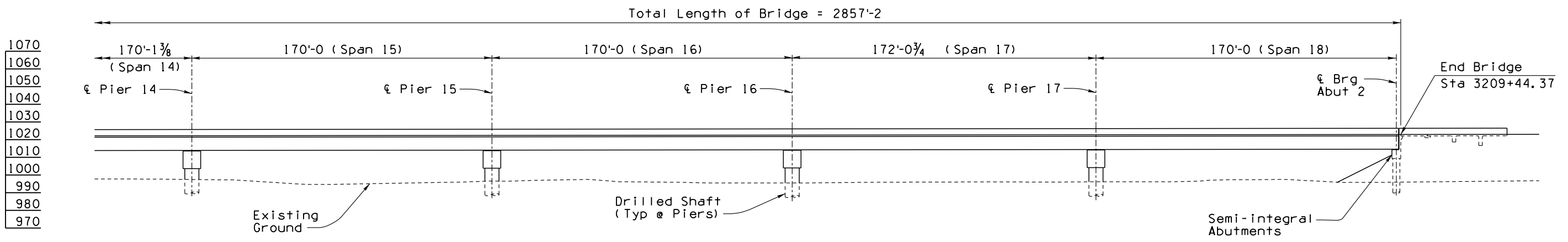
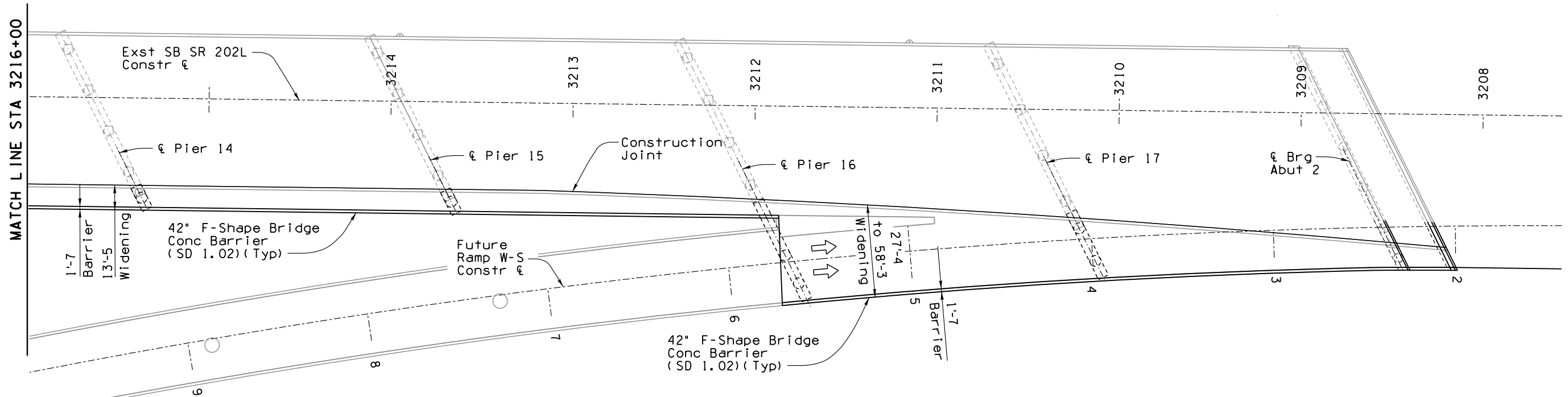
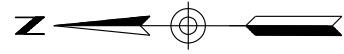
1070
1060
1050
1040
1030
1020
1010
1000
990
980
970

DESIGN	BK	DATE	6/19	ARIZONA DEPARTMENT OF TRANSPORTATION INTERMODAL TRANSPORTATION DIVISION BRIDGE GROUP	L/DCR Review NOT FOR CONSTRUCTION OR RECORDING
DRAWN	JW	DATE	6/19		
CHECKED	KRA	DATE	6/19		
SR 30		STRUCTURE NO.		SR 30, SR 303L TO SR 202L	DWG. NO. S-03.19
TRACS NO.		H6876 OIL		OF	

NO. 1 DESCRIPTION OF REVISION DATE MADE BY NO. 2 DESCRIPTION OF REVISION DATE MADE BY

F.H.W.A. REGION	STATE	PROJECT NO.	SHEET NO.	TOTAL SHEETS	RECORD DRAWING
9	ARIZ.				

030 MA 000

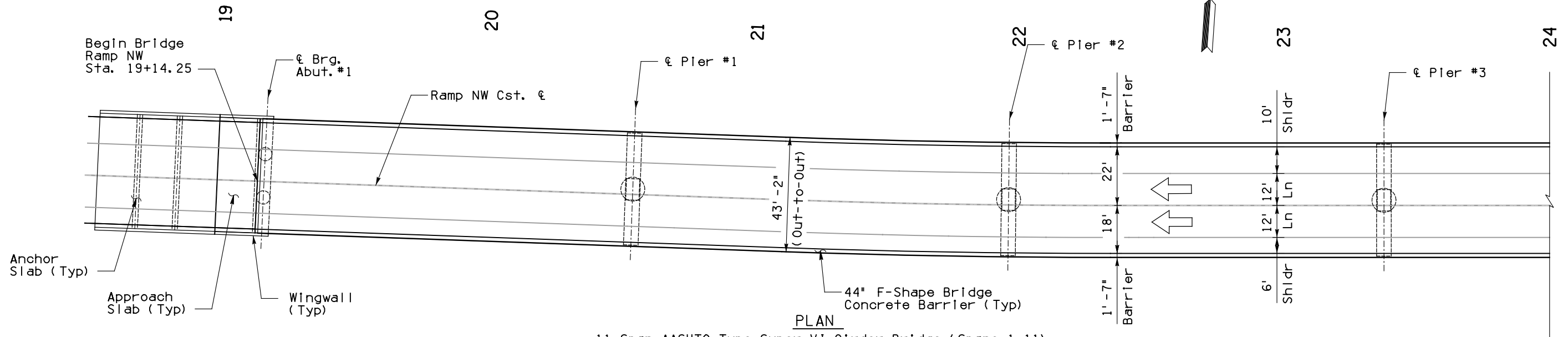


NO. 1 DESCRIPTION OF REVISION  
NO. 2 DESCRIPTION OF REVISION  
MADE BY  
DATE

DESIGN		NAME	DATE	ARIZONA DEPARTMENT OF TRANSPORTATION INTERMODAL TRANSPORTATION DIVISION BRIDGE GROUP	L/DCR Review NOT FOR CONSTRUCTION OR RECORDING
DRAWN		JW	6/19		
CHECKED		KRA	6/19		
SR 30		HDR, INC. 3200 E. CAMELBACK ROAD SUITE 300 PHOENIX, AZ 85018-2311 TEL: (602) 522-7700		STA 413+ RAMP ES WIDENING	
ROUTE	MILEPOST	STRUCTURE NO.		SR 30, SR 303L TO SR 202L	DWG. NO. S-03.20
TRACS NO.		H6876 OIL		OF	

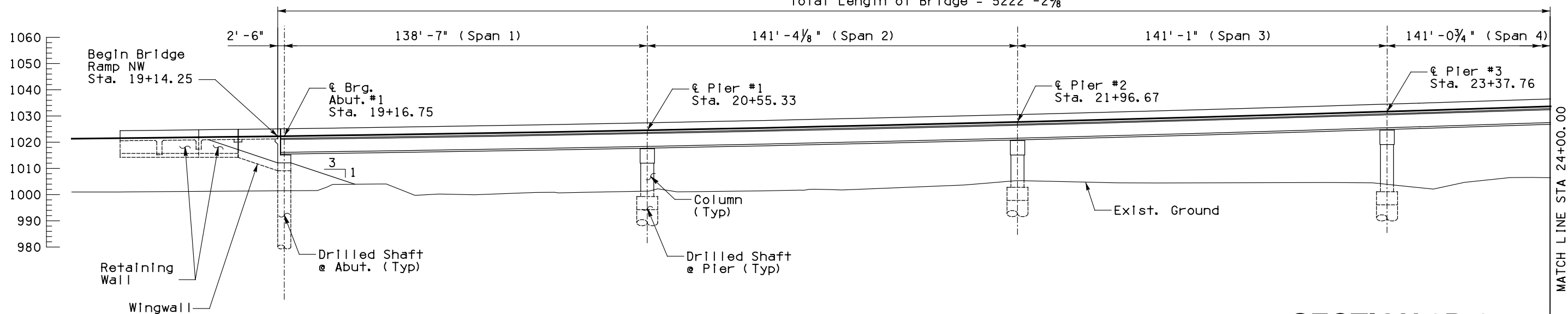
F.H.W.A. REGION	STATE	PROJECT NO.	SHEET NO.	TOTAL SHEETS	RECORD DRAWING
9	ARIZ.				

030 MA 000



**PLAN**  
 11-Span AASHTO Type Super VI Girder Bridge (Spans 1-11)  
 19-Span Continuous Steel Girder Bridge (Spans 12-30)  
 3-Span Bulb T Girders (Spans 31-33)  
 Scale: 1" = 20'-0"  
 Skew = Varies

Total Length of Bridge = 5222' - 2<sup>3</sup>/<sub>8</sub>"



**ELEVATION**

## SECTION 3B-2 SELECTED ALTERNATIVE

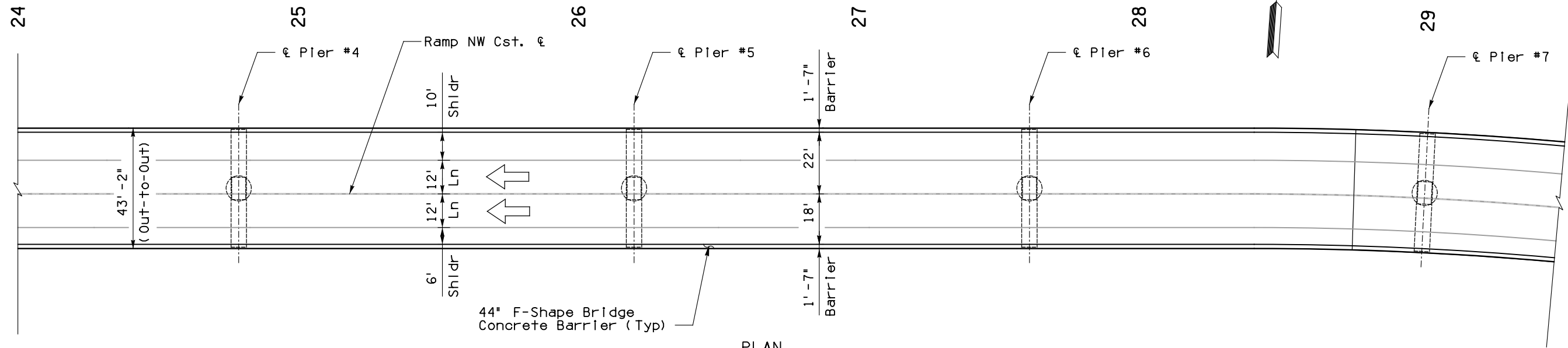
DESIGN	NAME	DATE	ARIZONA DEPARTMENT OF TRANSPORTATION INFRASTRUCTURE DELIVERY AND OPERATIONS DIVISION <b>BRIDGE GROUP</b>	<b>L/DCR</b> Review NOT FOR CONSTRUCTION OR RECORDING
DRAWN	Y PATEL	05/18		
CHECKED	A MOTHUKURI	05/18		
NFra Inc. a transportation engineering firm 77 East Thomas Road, Suite 200 Phoenix, Arizona 85012			<b>RAMP NW</b>	
SR 30	ROUTE	STRUCTURE NO.	LOCATION	DWG NO
			SR 30, SR 303L TO SR 202L	S-03.21
TRACS NO.				OF

DATE: \_\_\_\_\_ LOCATION: \_\_\_\_\_ REVISIONS: \_\_\_\_\_ FINISHED PLANS: \_\_\_\_\_ SURVEY NO.: \_\_\_\_\_ DATE: \_\_\_\_\_ LOCATION: \_\_\_\_\_ REVISIONS: \_\_\_\_\_ FINISHED PLANS: \_\_\_\_\_ SURVEY NO.: \_\_\_\_\_

NFRA-ADOT\_PDF\_HALF\_PLT  
 NFRA-ADOT\_STRUCTURE\_TBL  
 SURVEY NO.

F.H.W.A. REGION	STATE	PROJECT NO.	SHEET NO.	TOTAL SHEETS	RECORD DRAWING
9	ARIZ.				

030 MA 000

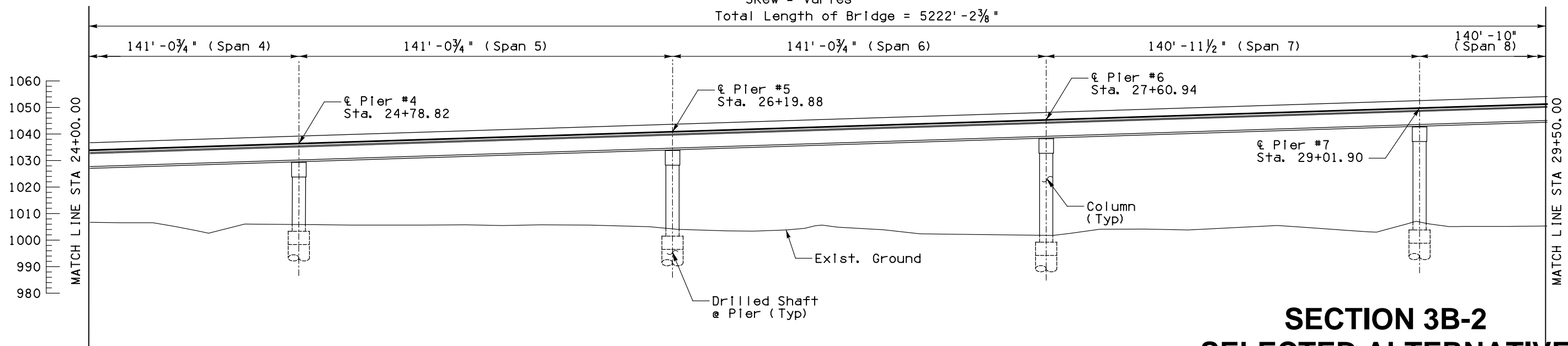


44" F-Shape Bridge Concrete Barrier (Typ)

**PLAN**

11-Span AASHTO Type Super VI Girder Bridge (Spans 1-11)  
 19-Span Continuous Steel Girder Bridge (Spans 12-30)  
 3-Span Bulb T Girders (Spans 31-33)  
 Scale: 1" = 20' - 0"  
 Skew = Varies

Total Length of Bridge = 5222' - 2<sup>3</sup>/<sub>8</sub>"



**ELEVATION**

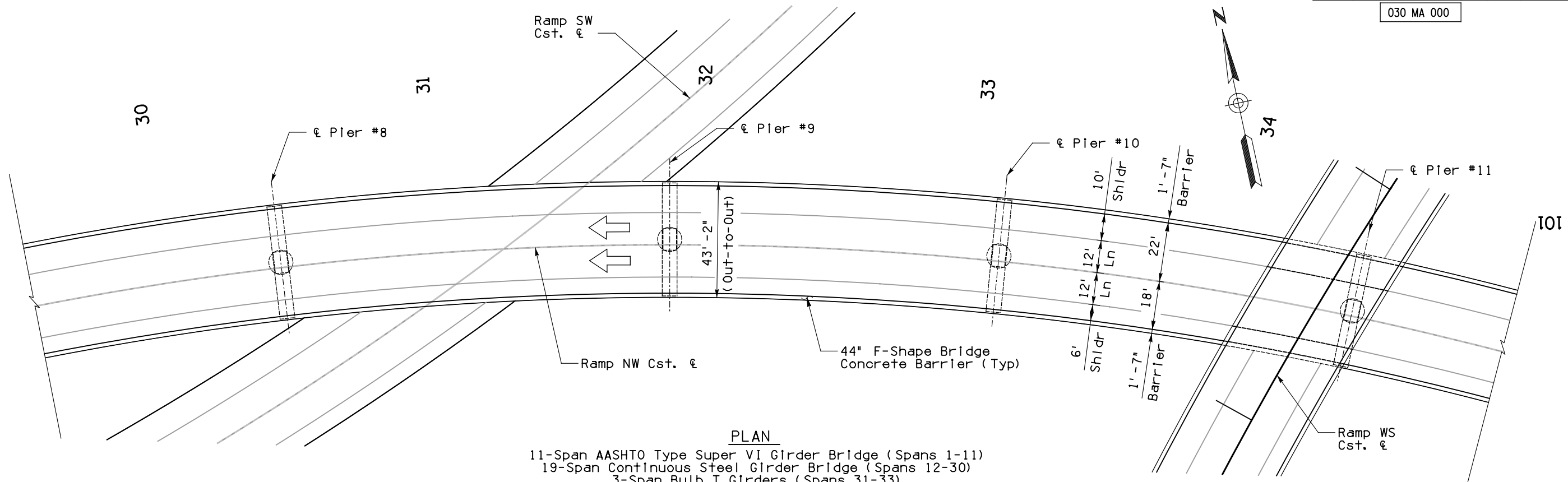
**SECTION 3B-2  
 SELECTED ALTERNATIVE**

DESIGN	Y PATEL	DATE	05/18	ARIZONA DEPARTMENT OF TRANSPORTATION INFRASTRUCTURE DELIVERY AND OPERATIONS DIVISION <b>BRIDGE GROUP</b>	<b>L/DCR</b> Review NOT FOR CONSTRUCTION OR RECORDING
DRAWN	A MOTHUKURI	DATE	05/18		
CHECKED	S KAYAT	DATE	05/18		
NFra Inc. <i>a transportation engineering firm</i> 77 East Thomas Road, Suite 200 Phoenix, Arizona 85012		RAMP NW			
SR 30	ROUTE	LOCATION	SR 30, SR 303L TO SR 202L	DWG NO S-03.22	
TRACS NO.		OF			

NFRA-ADOT\_PDF\_HALF\_PLT  
 NFRA-ADOT\_STRUCT\_TBL

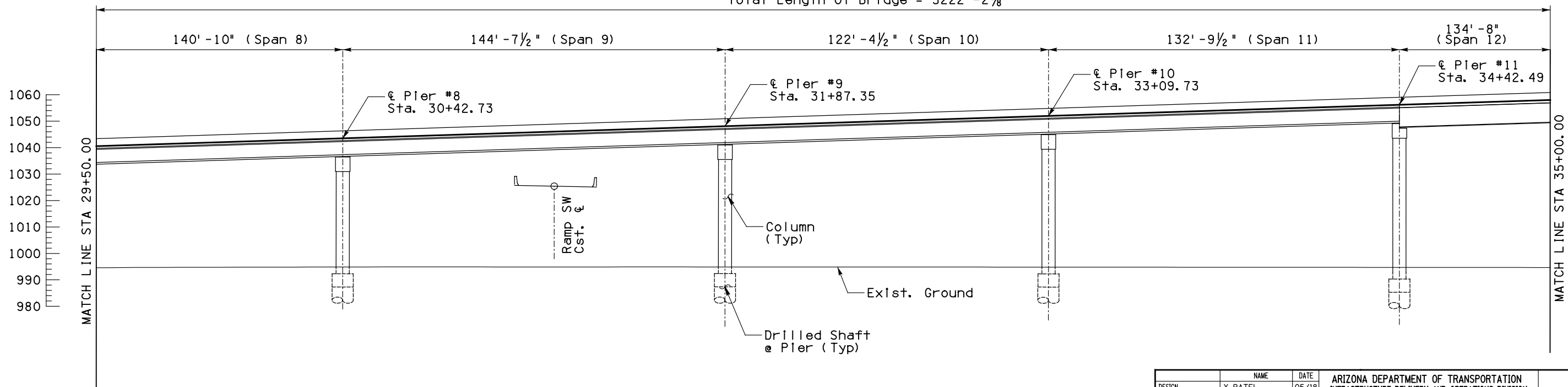
F.H.W.A. REGION	STATE	PROJECT NO.	SHEET NO.	TOTAL SHEETS	RECORD DRAWING
9	ARIZ.				

030 MA 000



**PLAN**  
 11-Span AASHTO Type Super VI Girder Bridge (Spans 1-11)  
 19-Span Continuous Steel Girder Bridge (Spans 12-30)  
 3-Span Bulb T Girders (Spans 31-33)  
 Scale: 1" = 20' - 0"  
 Skew = Varies

Total Length of Bridge = 5222' - 2<sup>3</sup>/<sub>8</sub>"



**ELEVATION**

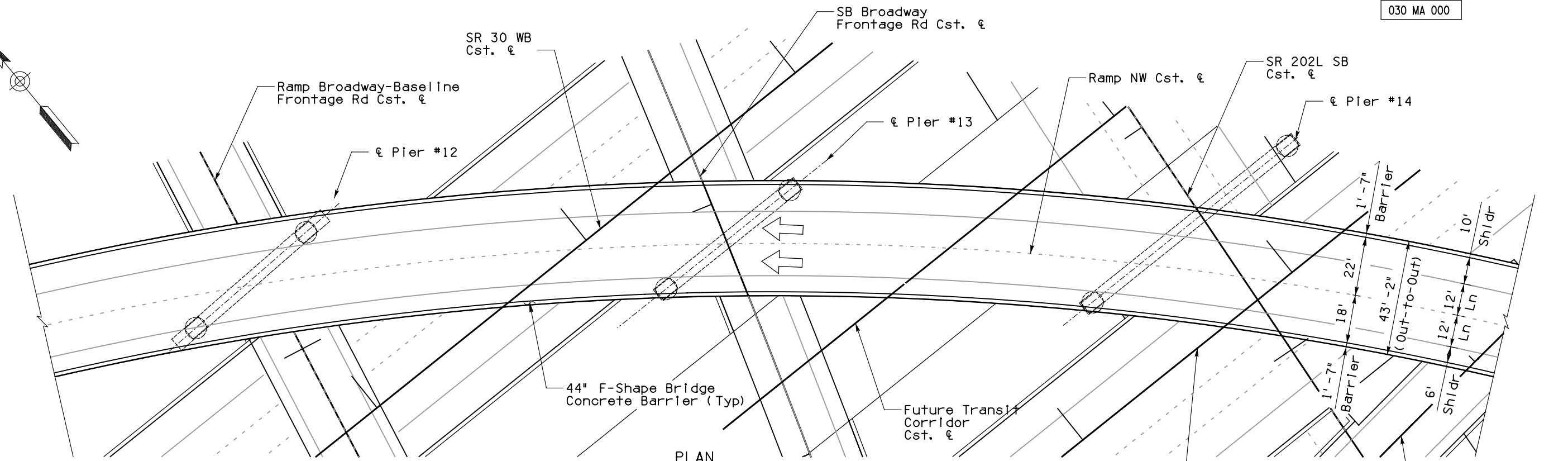
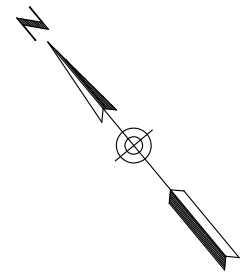
# SECTION 3B-2 SELECTED ALTERNATIVE

DESIGN	Y PATEL	DATE	05/18	ARIZONA DEPARTMENT OF TRANSPORTATION INFRASTRUCTURE DELIVERY AND OPERATIONS DIVISION <b>BRIDGE GROUP</b>	<b>L/DCR</b> Review NOT FOR CONSTRUCTION OR RECORDING
DRAWN	A MOTHUKURI	DATE	05/18		
CHECKED	S KAYAT	DATE	05/18		
NFra Inc. <small>a transportation engineering firm</small> 77 East Thomas Road, Suite 200 Phoenix, Arizona 85012		<b>RAMP NW</b>			
SR 30	ROUTE	MILEPOST	STRUCTURE NO.	LOCATION	SR 30, SR 303L TO SR 202L
TRACS NO.				DWG NO S-03.23	
				OF	

NFRA-ADOT\_PDF\_HALF.PLT  
 NFRA-ADOT\_STRUCTURE.TBL  
 SURVEY NO.  
 FINISHED PLANS-  
 REVISIONS-  
 LOCATION-  
 DATE-  
 FINISHED PLANS-  
 REVISIONS-  
 LOCATION-  
 DATE-  
 SURVEY NO.

F.H.W.A. REGION	STATE	PROJECT NO.	SHEET NO.	TOTAL SHEETS	RECORD DRAWING
9	ARIZ.				

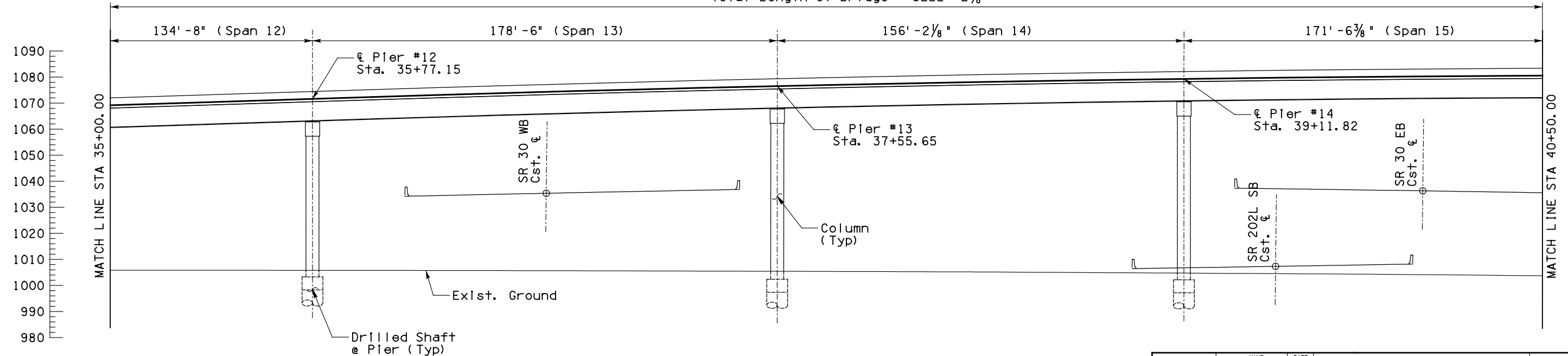
030 MA 000



**PLAN**

11-Span AASHTO Type Super VI Girder Bridge (Spans 1-11)  
 19-Span Continuous Steel Girder Bridge (Spans 12-30)  
 3-Span Bulb T Girders (Spans 31-33)  
 Scale: 1" = 20'-0"  
 Skew = Varies

Total Length of Bridge = 5222' - 2 $\frac{3}{8}$ "



**ELEVATION**

# SECTION 3B-2 SELECTED ALTERNATIVE

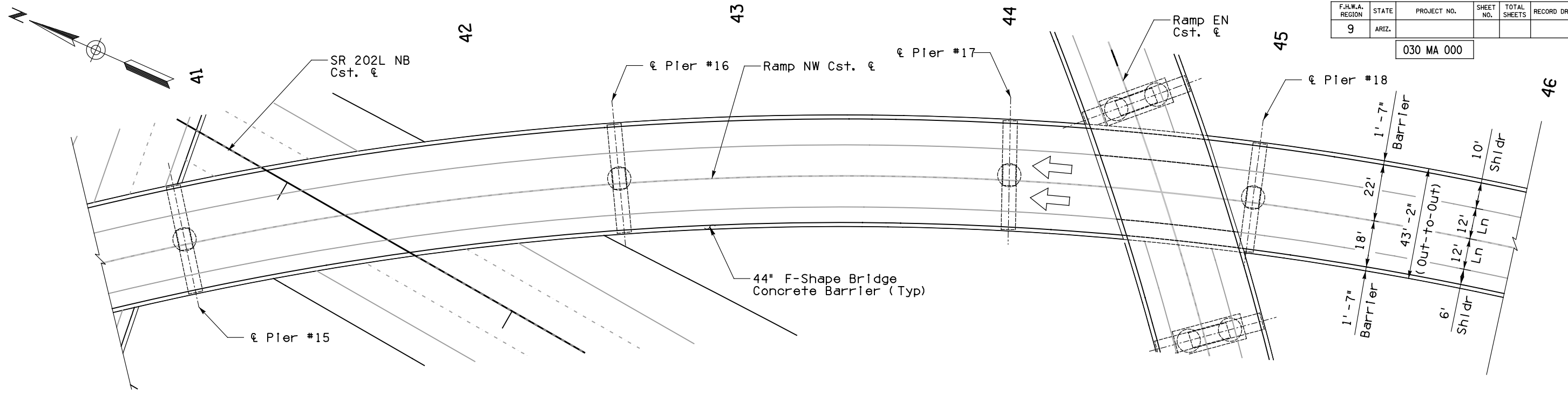
DESIGN	Y PATEL	DATE	05/18	ARIZONA DEPARTMENT OF TRANSPORTATION INFRASTRUCTURE DELIVERY AND OPERATIONS DIVISION <b>BRIDGE GROUP</b>	<b>L/DCR</b> Review NOT FOR CONSTRUCTION OR RECORDING
DRAWN	A MOTHUKURI	DATE	05/18		
CHECKED	S KAYAT	DATE	05/18		
NFra Inc. a transportation engineering firm 77 East Thomas Road, Suite 200 Phoenix, Arizona 85012		LOCATION		SR 30, SR 303L TO SR 202L	
SR 30 ROUTE	MILEPOST	STRUCTURE NO.	DWG NO S-03.24		
TRACS NO.			OF		

NFRA-ADOT\_PDF\_HALF.PLT  
NFRA-ADOT\_STRUCT.TBL

DATE: \_\_\_\_\_ LOCATION: \_\_\_\_\_ REVISIONS: \_\_\_\_\_ FINISHED PLANS: \_\_\_\_\_ SURVEY NO. \_\_\_\_\_ DATE: \_\_\_\_\_ LOCATION: \_\_\_\_\_ REVISIONS: \_\_\_\_\_ FINISHED PLANS: \_\_\_\_\_ SURVEY NO. \_\_\_\_\_

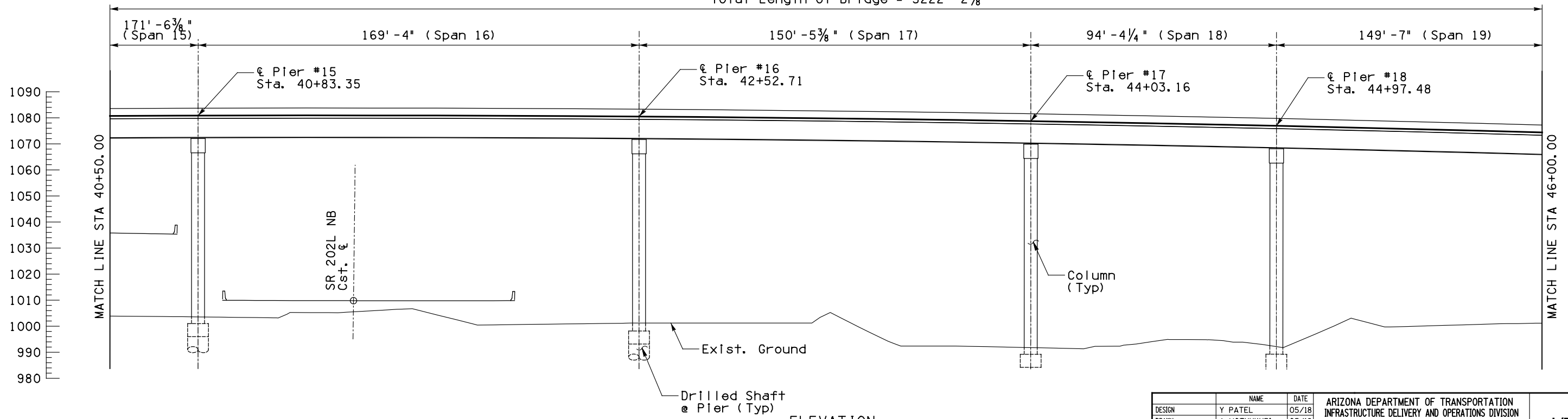
F.H.W.A. REGION	STATE	PROJECT NO.	SHEET NO.	TOTAL SHEETS	RECORD DRAWING
9	ARIZ.				

030 MA 000



**PLAN**  
 11-Span AASHTO Type Super VI Girder Bridge (Spans 1-11)  
 19-Span Continuous Steel Girder Bridge (Spans 12-30)  
 3-Span Bulb T Girders (Spans 31-33)  
 Scale: 1" = 20'-0"  
 Skew = Varies

Total Length of Bridge = 5222'-2<sup>3</sup>/<sub>8</sub>"



**ELEVATION**

**SECTION 3B-2  
 SELECTED ALTERNATIVE**

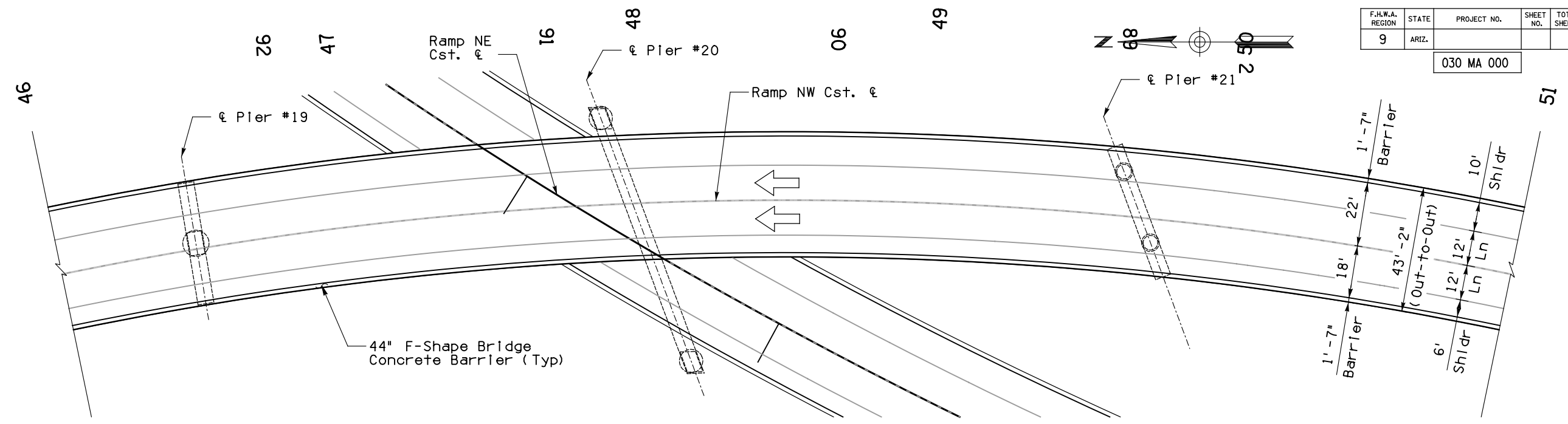
DESIGN	Y PATEL	DATE	05/18	ARIZONA DEPARTMENT OF TRANSPORTATION INFRASTRUCTURE DELIVERY AND OPERATIONS DIVISION <b>BRIDGE GROUP</b>	<b>L/DCR</b> Review NOT FOR CONSTRUCTION OR RECORDING
DRAWN	A MOTHUKURI	DATE	05/18		
CHECKED	S KAYAT	DATE	05/18		
NFra Inc. a transportation engineering firm 77 East Thomas Road, Suite 200 Phoenix, Arizona 85012		LOCATION		SR 30, SR 303L TO SR 202L	
SR 30	ROUTE	MILEPOST	STRUCTURE NO.	DWG NO. S-03.25	
TRACS NO.				OF	

NFRA-ADOT\_PDF\_HALF.PLT  
NFRA-ADOT\_STRUCT.TBL

DATE: \_\_\_\_\_ LOCATION: \_\_\_\_\_ REVISIONS: \_\_\_\_\_ FINISHED PLANS: \_\_\_\_\_ SURVEY NO. \_\_\_\_\_

F.H.W.A. REGION	STATE	PROJECT NO.	SHEET NO.	TOTAL SHEETS	RECORD DRAWING
9	ARIZ.				

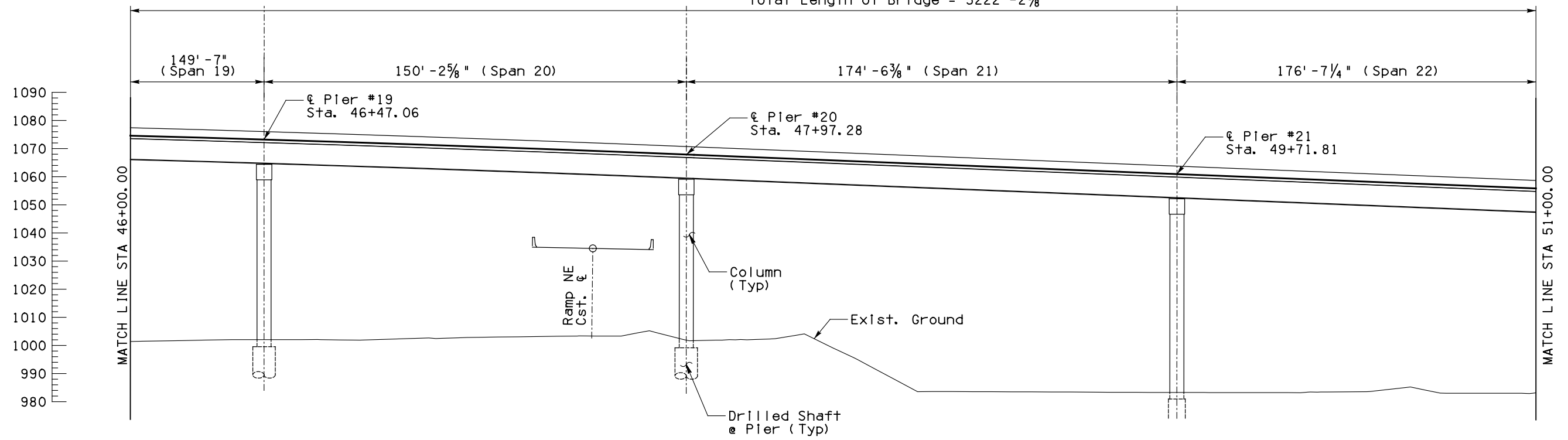
030 MA 000



**PLAN**

11-Span AASHTO Type Super VI Girder Bridge (Spans 1-11)  
 19-Span Continuous Steel Girder Bridge (Spans 12-30)  
 3-Span Bulb T Girders (Spans 31-33)  
 Scale: 1" = 20'-0"  
 Skew = Varies

Total Length of Bridge = 5222' - 2<sup>3</sup>/<sub>8</sub>"



**ELEVATION**

**SECTION 3B-2  
 SELECTED ALTERNATIVE**

DESIGN	Y PATEL	DATE	05/18	ARIZONA DEPARTMENT OF TRANSPORTATION INFRASTRUCTURE DELIVERY AND OPERATIONS DIVISION <b>BRIDGE GROUP</b>	<b>L/DCR</b> Review NOT FOR CONSTRUCTION OR RECORDING
DRAWN	A MOTHUKURI	DATE	05/18		
CHECKED	S KAYAT	DATE	05/18		
NFra Inc. a transportation engineering firm 77 East Thomas Road, Suite 200 Phoenix, Arizona 85012			<b>RAMP NW</b>		DWG NO S-03.26 OF
SR 30	ROUTE	LOCATION	SR 30, SR 303L TO SR 202L		
TRACS NO.					

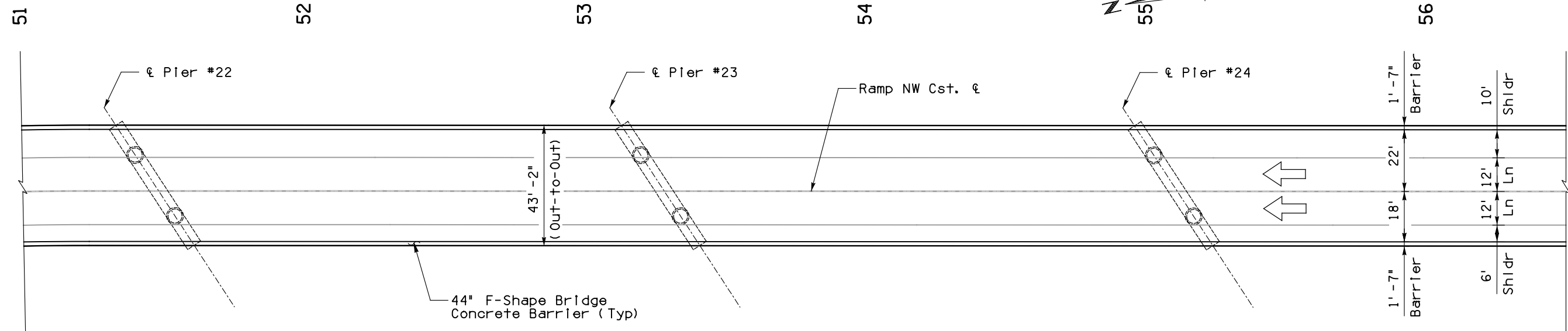
NFRA-ADOT\_PDF\_HALF.PLT  
 NFRA-ADOT\_STRUCT.TBL

SURVEY NO. DATE FINISHED PLANS REVISIONS LOCATION DATE FINISHED PLANS REVISIONS LOCATION DATE



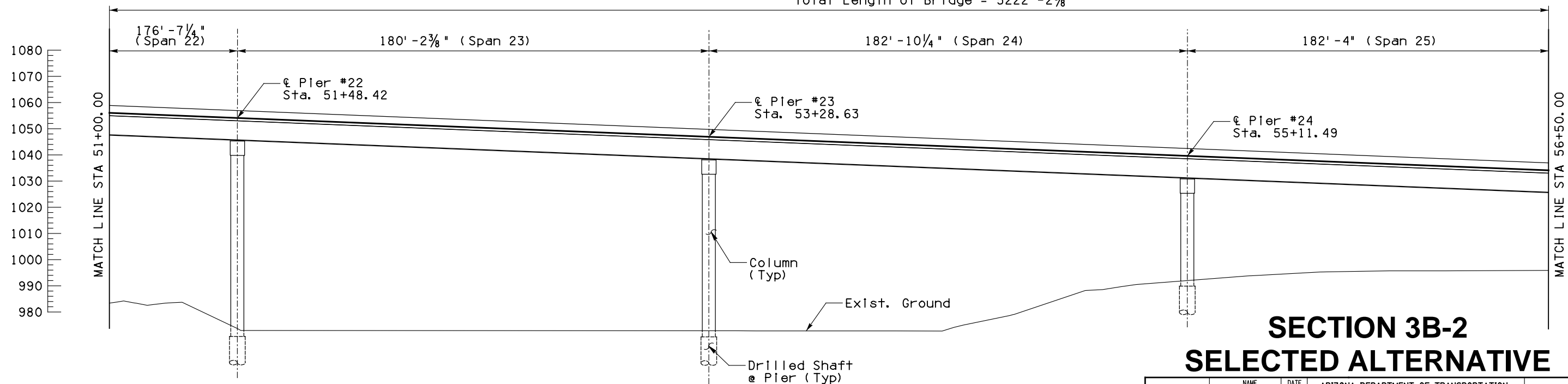
F.H.W.A. REGION	STATE	PROJECT NO.	SHEET NO.	TOTAL SHEETS	RECORD DRAWING
9	ARIZ.				

030 MA 000



**PLAN**  
 11-Span AASHTO Type Super VI Girder Bridge (Spans 1-11)  
 19-Span Continuous Steel Girder Bridge (Spans 12-30)  
 3-Span Bulb T Girders (Spans 31-33)  
 Scale: 1" = 20'-0"  
 Skew = Varies

Total Length of Bridge = 5222' - 2<sup>3</sup>/<sub>8</sub>"



**ELEVATION**

**SECTION 3B-2  
 SELECTED ALTERNATIVE**

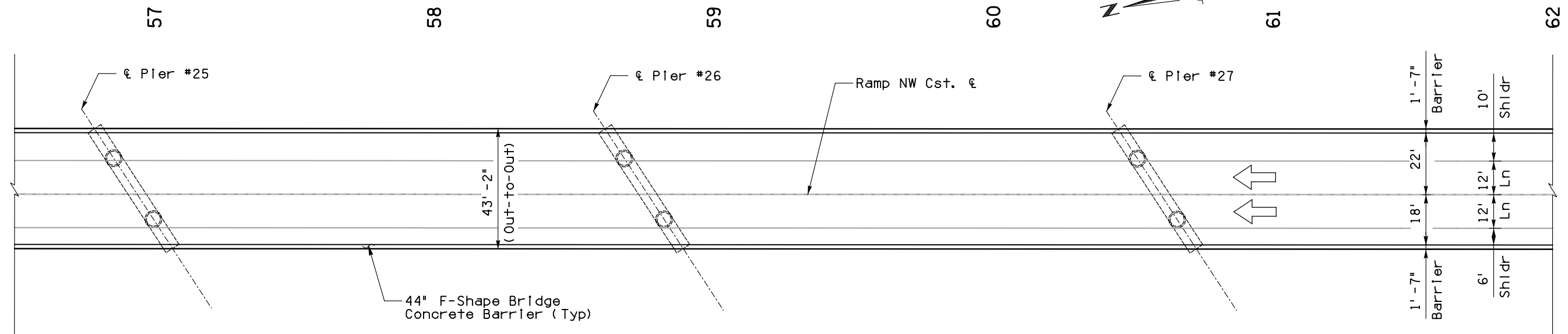
DESIGN	NAME	DATE	ARIZONA DEPARTMENT OF TRANSPORTATION INFRASTRUCTURE DELIVERY AND OPERATIONS DIVISION <b>BRIDGE GROUP</b>	<b>L/DCR</b> Review NOT FOR CONSTRUCTION OR RECORDING
DRAWN	Y PATEL	05/18		
CHECKED	A MOTHUKURI	05/18		
	S KAYAT	05/18	<b>RAMP NW</b>	
SR 30	ROUTE	STRUCTURE NO.	LOCATION	DWG NO
			SR 30, SR 303L TO SR 202L	S-03.27
TRACS NO.				OF

NFRA-ADOT\_PDF\_HALF.PLT  
NFRA-ADOT\_STRUCT.TBL

DATE: \_\_\_\_\_ REVISIONS: \_\_\_\_\_ FINISHED PLANS: \_\_\_\_\_ SURVEY NO. \_\_\_\_\_

F.H.W.A. REGION	STATE	PROJECT NO.	SHEET NO.	TOTAL SHEETS	RECORD DRAWING
9	ARIZ.				

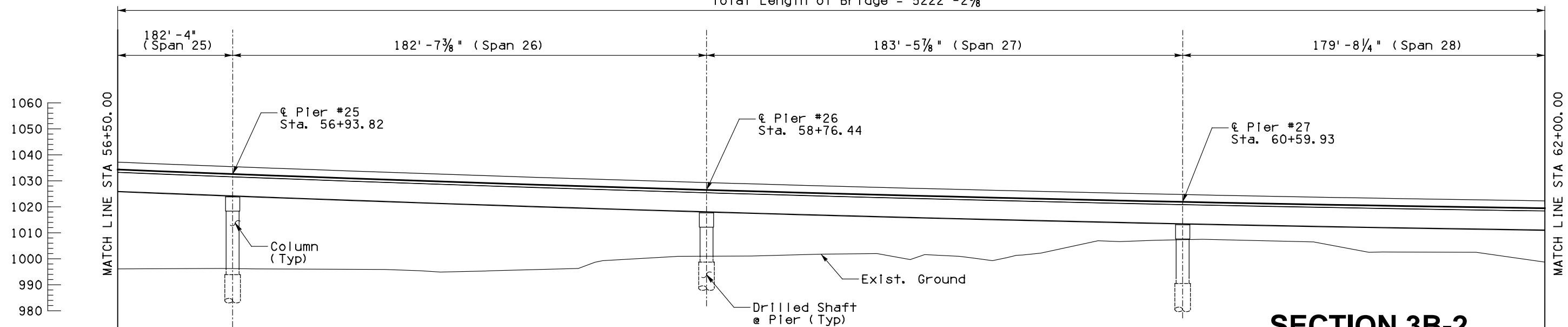
030 MA 000



**PLAN**

11-Span AASHTO Type Super VI Girder Bridge (Spans 1-11)  
 19-Span Continuous Steel Girder Bridge (Spans 12-30)  
 3-Span Bulb T Girders (Spans 31-33)  
 Scale: 1" = 20'-0"  
 Skew = Varies

Total Length of Bridge = 5222' - 2<sup>3</sup>/<sub>8</sub>"



**ELEVATION**

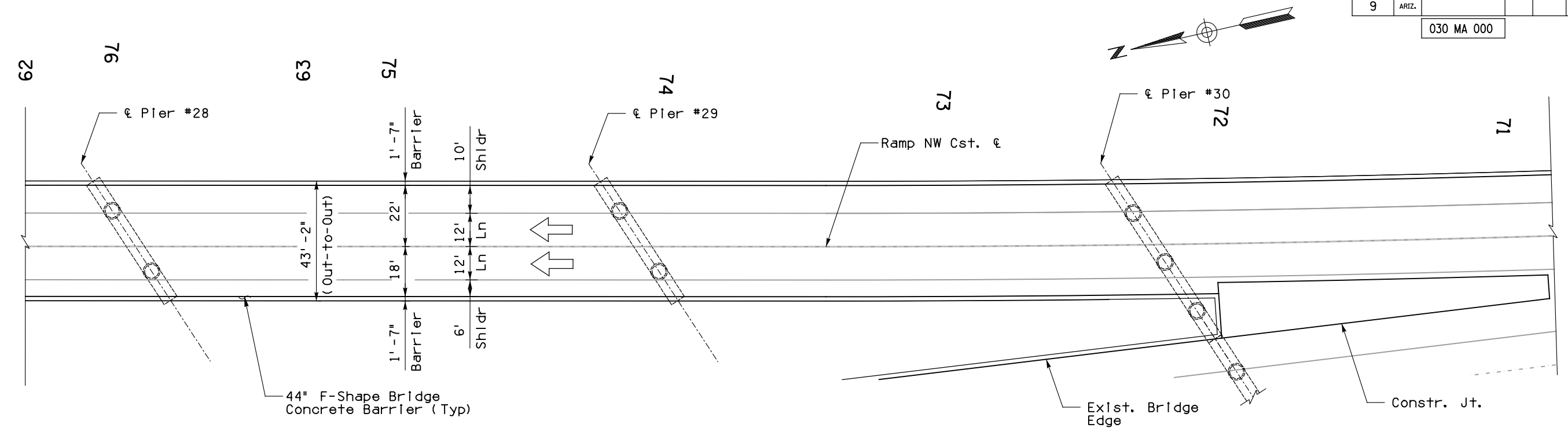
**SECTION 3B-2  
 SELECTED ALTERNATIVE**

DESIGN	NAME	DATE	ARIZONA DEPARTMENT OF TRANSPORTATION INFRASTRUCTURE DELIVERY AND OPERATIONS DIVISION <b>BRIDGE GROUP</b>	<b>L/DCR</b> Review NOT FOR CONSTRUCTION OR RECORDING
DRAWN	Y PATEL	05/18		
CHECKED	A MOTHUKURI	05/18		
	S KAYAT	05/18	<b>RAMP NW</b>	
SR 30	ROUTE	STRUCTURE NO.	LOCATION	DWG NO
			SR 30, SR 303L TO SR 202L	S-03.28
TRACS NO.				OF

NFRA-ADOT\_PDF\_HALF.PLT  
 NFRA-ADOT\_STRUCT.TBL  
 SURVEY NO.  
 FINISHED PLANS  
 REVISIONS  
 LOCATION  
 DATE  
 FINISHED PLANS  
 SURVEY NO.  
 DATE

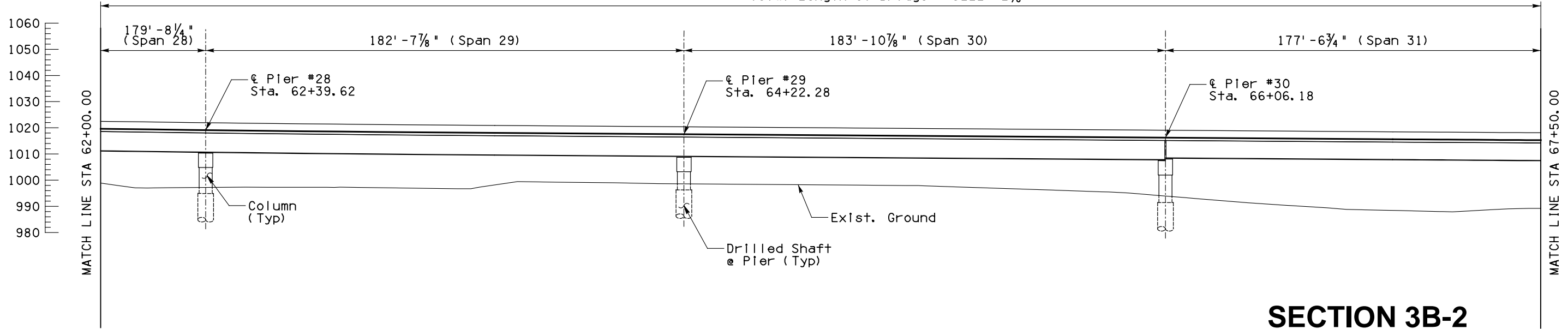
F.H.W.A. REGION	STATE	PROJECT NO.	SHEET NO.	TOTAL SHEETS	RECORD DRAWING
9	ARIZ.				

030 MA 000



**PLAN**  
 11-Span AASHTO Type Super VI Girder Bridge (Spans 1-11)  
 19-Span Continuous Steel Girder Bridge (Spans 12-30)  
 3-Span Bulb T Girders (Spans 31-33)  
 Scale: 1" = 20'-0"  
 Skew = Varies

Total Length of Bridge = 5222' - 2<sup>3</sup>/<sub>8</sub>"



**ELEVATION**

## SECTION 3B-2 SELECTED ALTERNATIVE

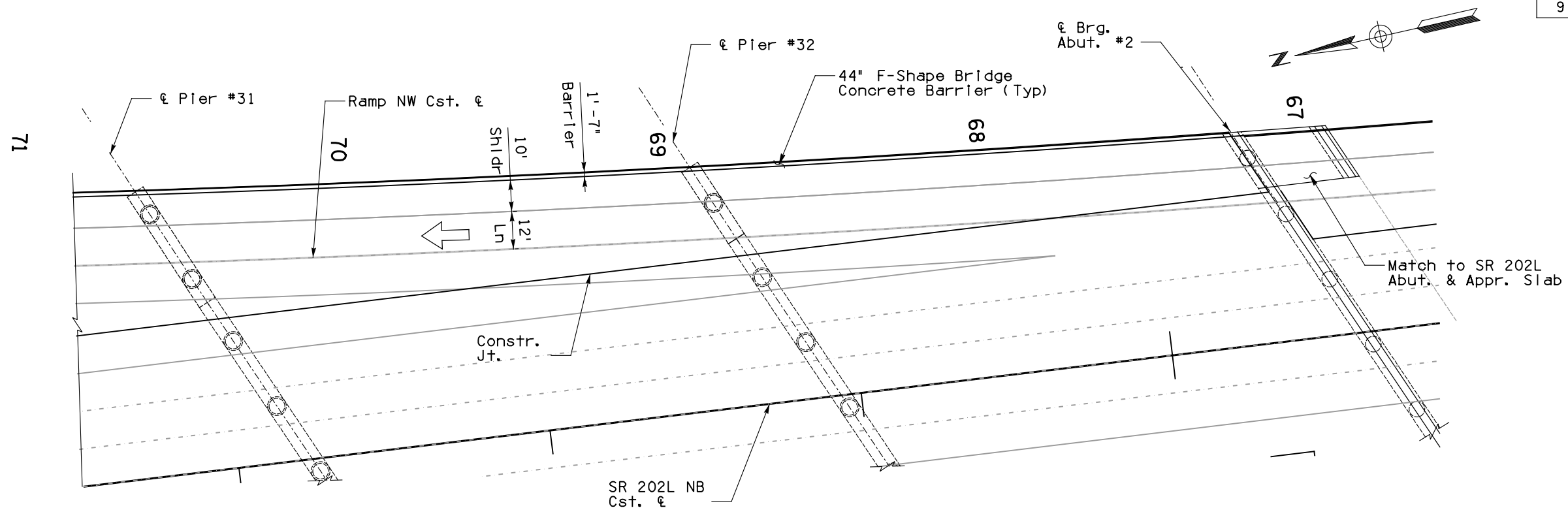
DESIGN	NAME	DATE	ARIZONA DEPARTMENT OF TRANSPORTATION INFRASTRUCTURE DELIVERY AND OPERATIONS DIVISION <b>BRIDGE GROUP</b>	<b>L/DCR</b> Review NOT FOR CONSTRUCTION OR RECORDING
DRAWN	Y PATEL	05/18		
CHECKED	A MOTHUKURI	05/18		
NFra Inc. <small>a transportation engineering firm</small> 77 East Thomas Road, Suite 200 Phoenix, Arizona 85012			<b>RAMP NW</b>	DWG NO S-03.29
SR 30	ROUTE	STRUCTURE NO.	LOCATION SR 30, SR 303L TO SR 202L	
TRACS NO.				OF

NFRA-ADOT\_PDF\_HALF.PLT  
NFRA-ADOT\_STRUCT.TBL

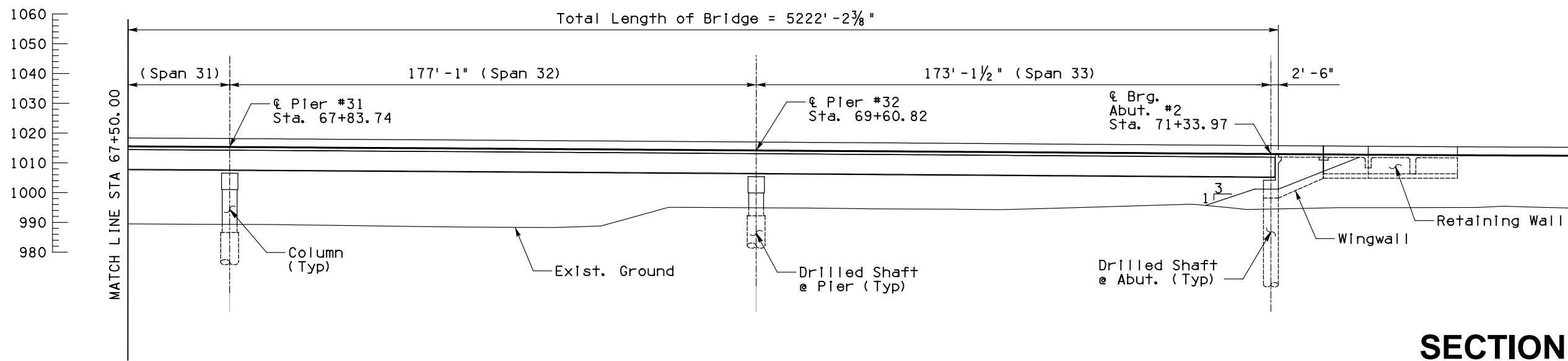
DATE: \_\_\_\_\_ LOCATION: \_\_\_\_\_ REVISIONS: \_\_\_\_\_ FINISHED PLANS: \_\_\_\_\_ SURVEY NO. \_\_\_\_\_

F.H.W.A. REGION	STATE	PROJECT NO.	SHEET NO.	TOTAL SHEETS	RECORD DRAWING
9	ARIZ.				

030 MA 000



**PLAN**  
 11-Span AASHTO Type Super VI Girder Bridge (Spans 1-11)  
 19-Span Continuous Steel Girder Bridge (Spans 12-30)  
 3-Span Bulb T Girders (Spans 31-33)  
 Scale: 1" = 20'-0"  
 Skew = Varies



## SECTION 3B-2 SELECTED ALTERNATIVE

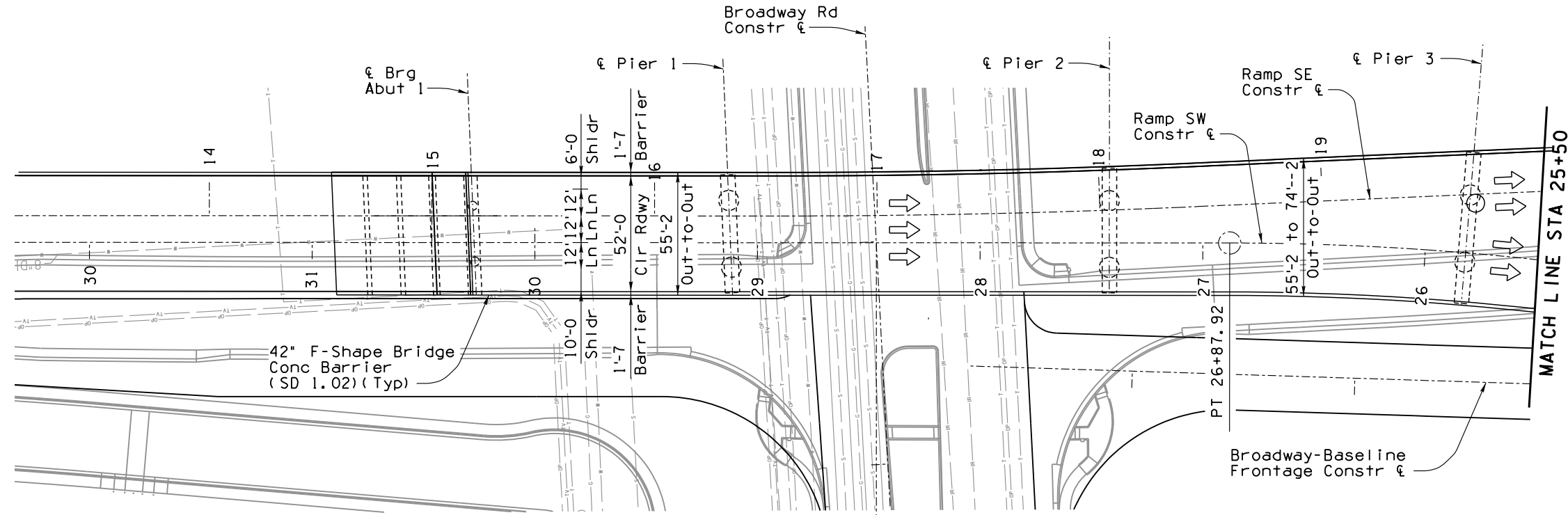
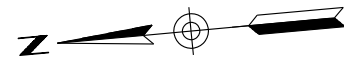
DESIGN	NAME	DATE	ARIZONA DEPARTMENT OF TRANSPORTATION INFRASTRUCTURE DELIVERY AND OPERATIONS DIVISION BRIDGE GROUP	L/DCR Review NOT FOR CONSTRUCTION OR RECORDING
DRAWN	Y PATEL	05/18		
CHECKED	A MOTHUKURI	05/18		
	S KAYAT	05/18	RAMP NW	
SR 30	ROUTE	STRUCTURE NO.	LOCATION	DWG NO
			SR 30, SR 303L TO SR 202L	S-03.30
TRACS NO.				OF

NFRA-ADOT\_PDF\_HALF.PLT  
NFRA-ADOT\_STRUCT.TBL

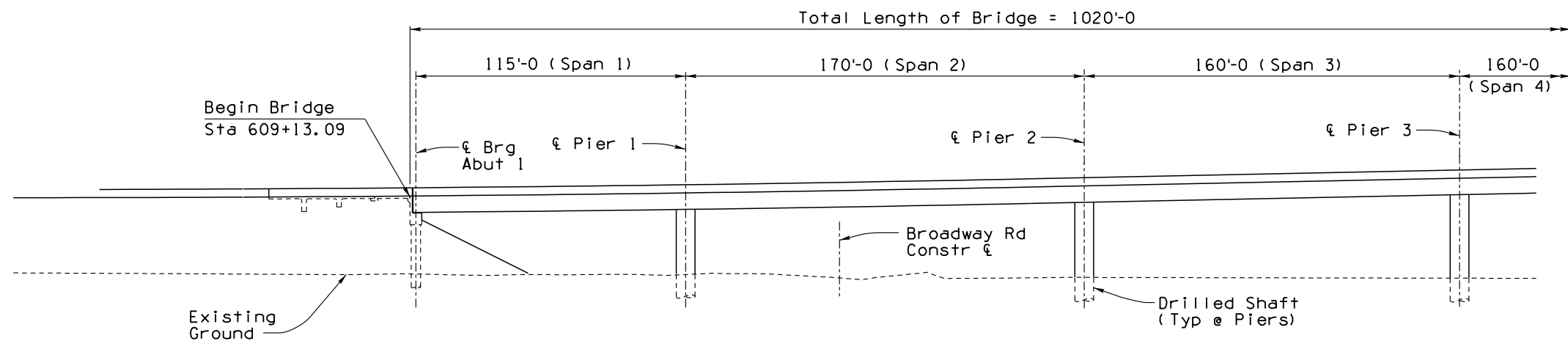
DATE- LOCATION- REVISIONS- FINISHED PLANS- SURVEY NO. DATE- LOCATION- REVISIONS- FINISHED PLANS- SURVEY NO.

F.H.W.A. REGION	STATE	PROJECT NO.	SHEET NO.	TOTAL SHEETS	RECORD DRAWING
9	ARIZ.				

030 MA 000



PLAN  
Scale: 1" = 30'  
Skew: 0°



ELEVATION

- 1060
- 1050
- 1040
- 1030
- 1020
- 1010
- 1000

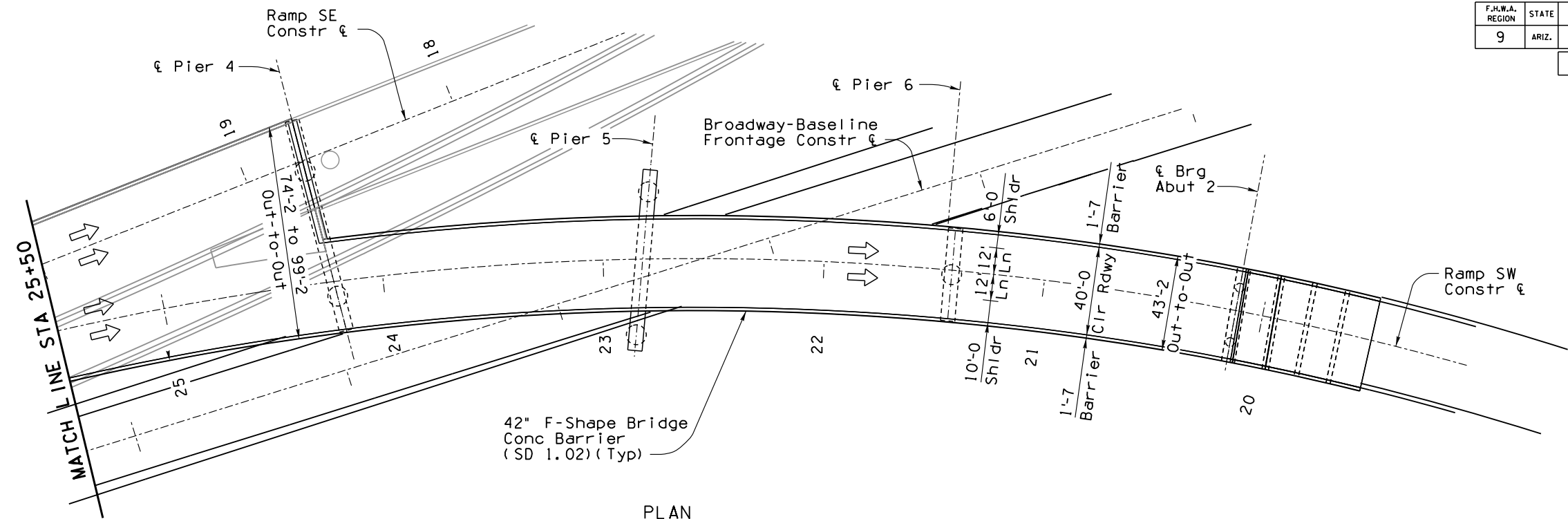
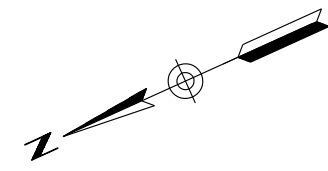
## SECTION 3B-2 SELECTED ALTERNATIVE

DESIGN	BK	DATE	6/19	ARIZONA DEPARTMENT OF TRANSPORTATION INTERMODAL TRANSPORTATION DIVISION BRIDGE GROUP	L/DCR Review NOT FOR CONSTRUCTION OR RECORDING
DRAWN	JW	DATE	6/19		
CHECKED	KRA	DATE	6/19		
SR 30		ROUTE		SR 30, SR 303L TO SR 202L	DWG. NO. S-03.31
TRACS NO.		H676 OIL		OF	

NO. 1 DESCRIPTION OF REVISION  
NO. 2 DESCRIPTION OF REVISION  
MADE BY  
DATE  
MADE BY  
DATE  
MADE BY  
DATE

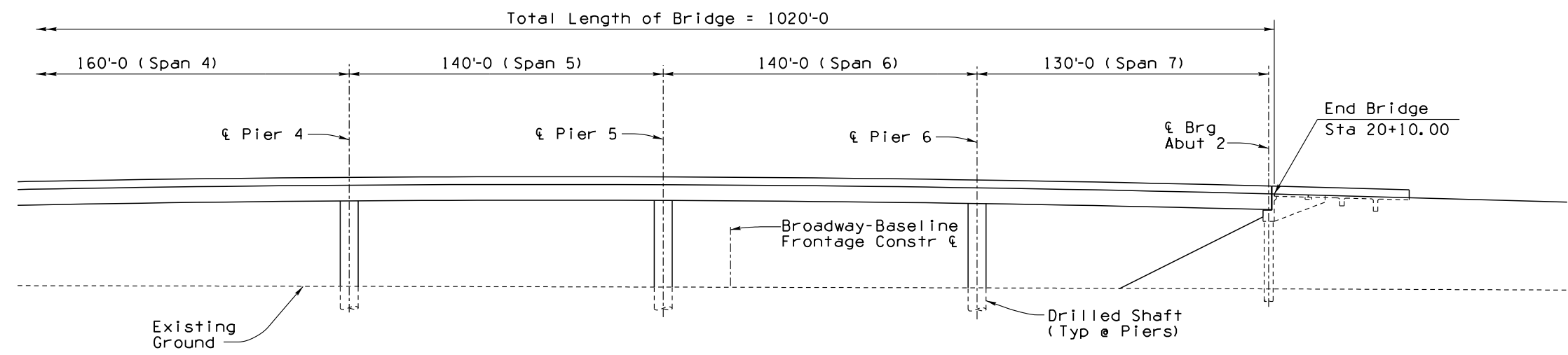
F.H.W.A. REGION	STATE	PROJECT NO.	SHEET NO.	TOTAL SHEETS	RECORD DRAWING
9	ARIZ.				

030 MA 000



PLAN  
Scale: 1" = 30'  
Skew: 0°

- 1060
- 1050
- 1040
- 1030
- 1020
- 1010
- 1000



ELEVATION

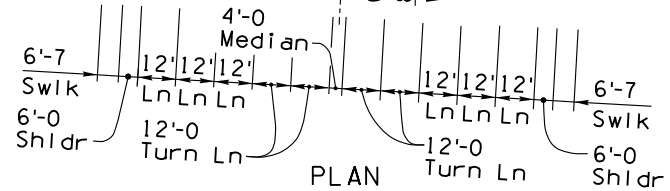
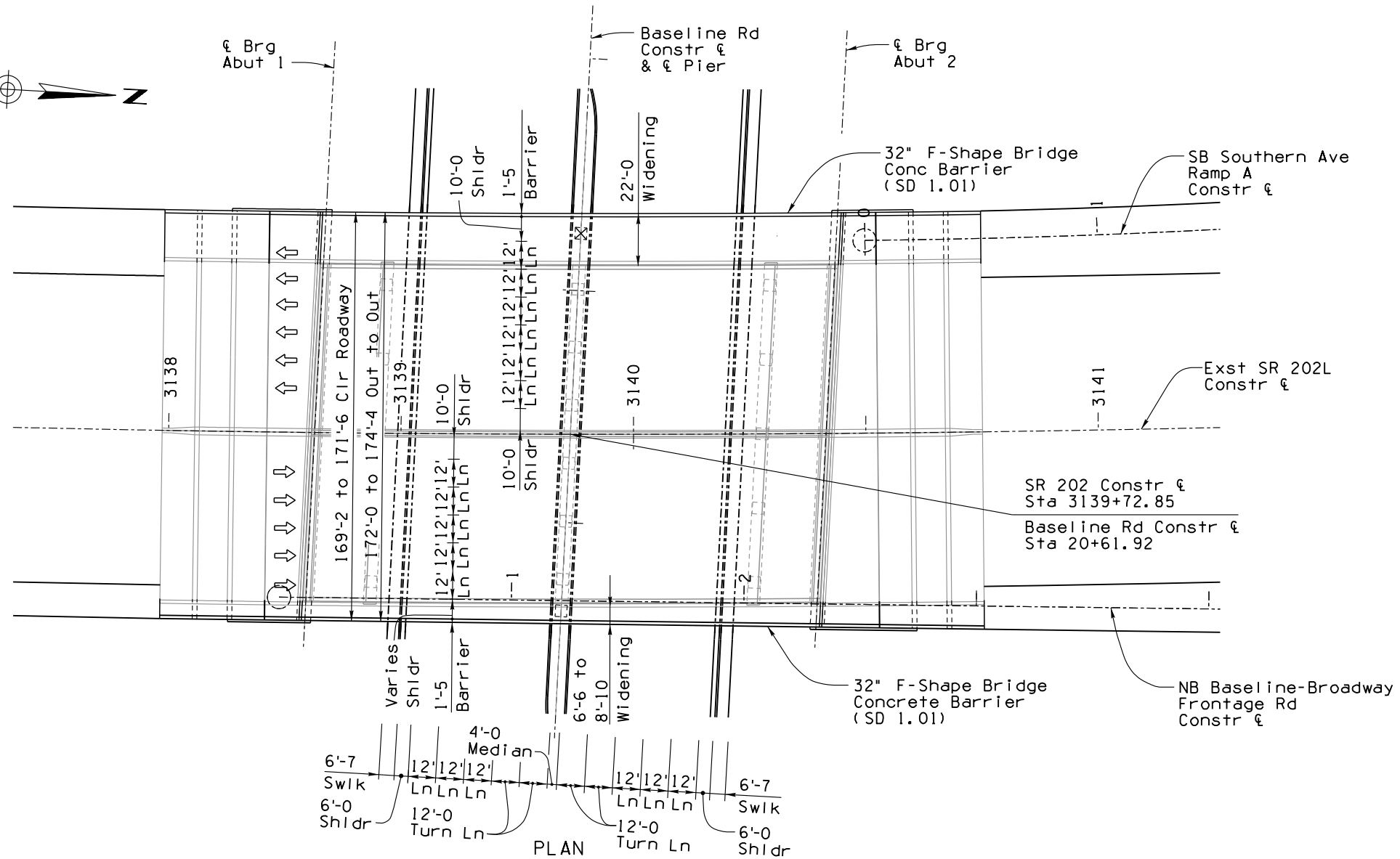
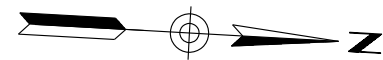
## SECTION 3B-2 SELECTED ALTERNATIVE

DESIGN		BK	6/19	ARIZONA DEPARTMENT OF TRANSPORTATION INTERMODAL TRANSPORTATION DIVISION BRIDGE GROUP	<b>L/DCR</b> Review NOT FOR CONSTRUCTION OR RECORDING
DRAWN		JW	6/19		
CHECKED		KRA	6/19		
<b>HDR</b> HDR, INC. 3200 E. CAMELBACK ROAD SUITE 300 PHOENIX, AZ 85018-2311 TEL: (602) 522-7700		SR 30		STA 609+ RAMP SW	
		ROUTE	MILEPOST	STRUCTURE NO.	SR 30, SR 303L TO SR 202L
TRACS NO.		H6876 OIL		DWG. NO. S-03.32 OF	

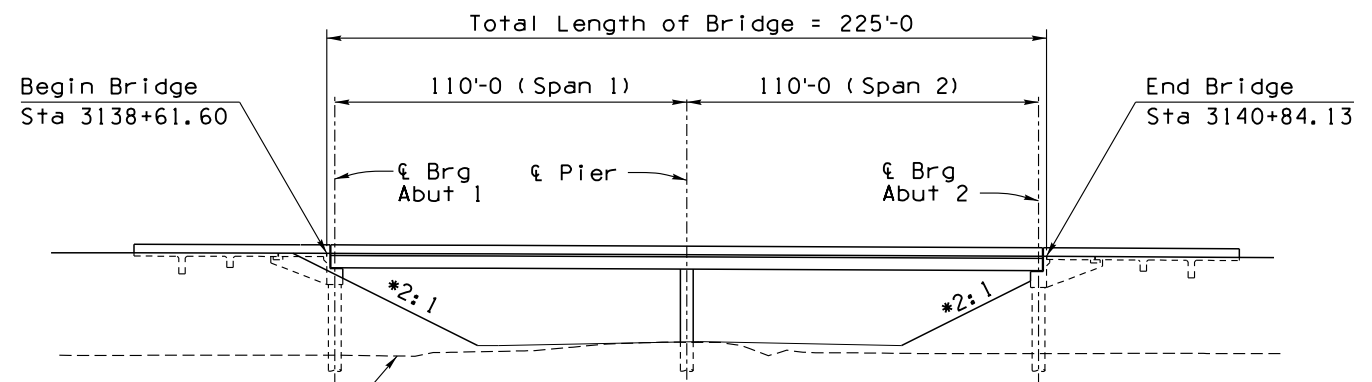
NO. 1 DESCRIPTION OF REVISION  
NO. 2 DESCRIPTION OF REVISION  
MADE BY  
DATE

F.H.W.A. REGION	STATE	PROJECT NO.	SHEET NO.	TOTAL SHEETS	RECORD DRAWING
9	ARIZ.				

030 MA 000



Scale: 1" = 30'  
Skew: 3° 00' 03"



ELEVATION  
Scale: 1" = 30'-0"  
(EB Elevation Shown WB Similar)

\*Slopes Perpendicular to & Roadway.

## SECTION 3B-2 SELECTED ALTERNATIVE

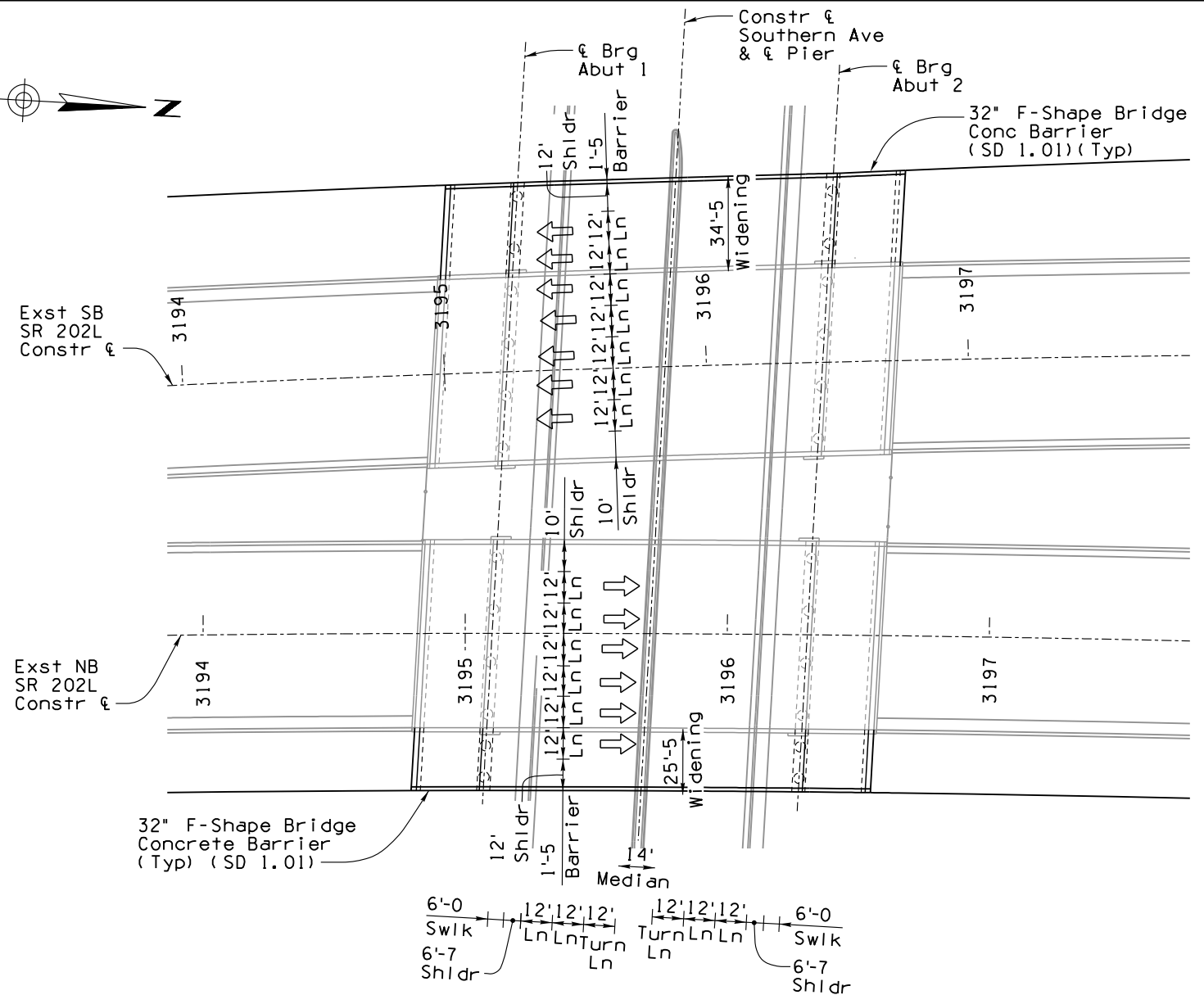
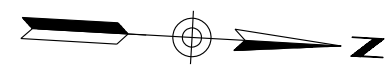
1040
1030
1020
1010
1000
990

DESIGN	BK	DATE	6/19	ARIZONA DEPARTMENT OF TRANSPORTATION INTERMODAL TRANSPORTATION DIVISION BRIDGE GROUP	L/DCR Review NOT FOR CONSTRUCTION OR RECORDING
DRAWN	JW	DATE	6/19		
CHECKED	KRA	DATE	6/19		
<b>HDR</b>		HDR, INC. 3200 E. CAMELBACK ROAD SUITE 300 PHOENIX, AZ 85018-2311 TEL: (602) 522-7700		STA 3136+ BASELINE RD TIOP WIDENING	
SR 30	ROUTE	MILEPOST	STRUCTURE NO.	SR 30, SR 303L TO SR 202L	
TRACS NO.		H6786 OIL		DWG. NO. S-03.33	
				OF	

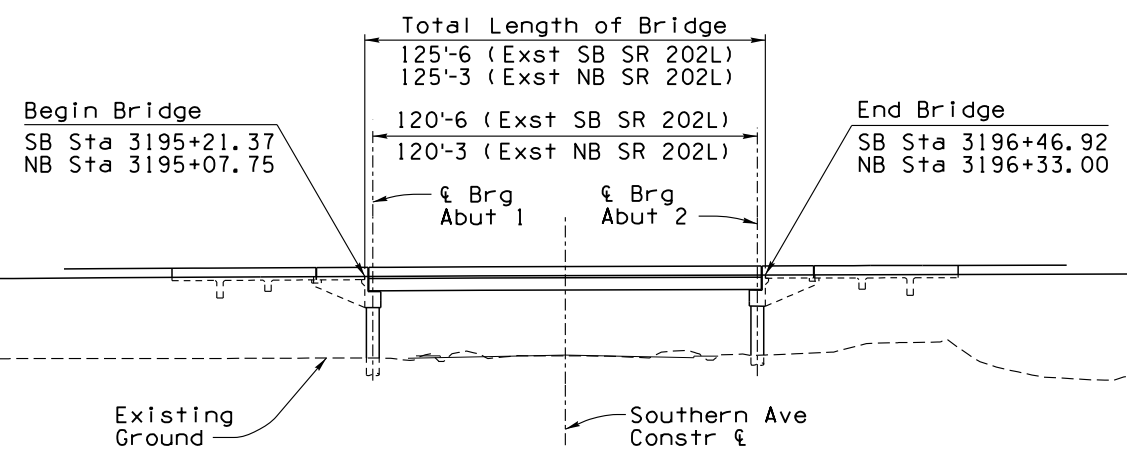
NO. 1 DESCRIPTION OF REVISION  
NO. 2 DESCRIPTION OF REVISION  
MADE BY  
DATE  
MADE BY  
DATE  
MADE BY  
DATE

F.H.W.A. REGION	STATE	PROJECT NO.	SHEET NO.	TOTAL SHEETS	RECORD DRAWING
9	ARIZ.				

030 MA 000



**PLAN**  
Scale: 1" = 30'  
Skew: 3° 15' 03"



**ELEVATION**  
Scale: 1" = 30'-0"  
(EB Elevation Shown WB Similar)

## SECTION 3B-2 SELECTED ALTERNATIVE

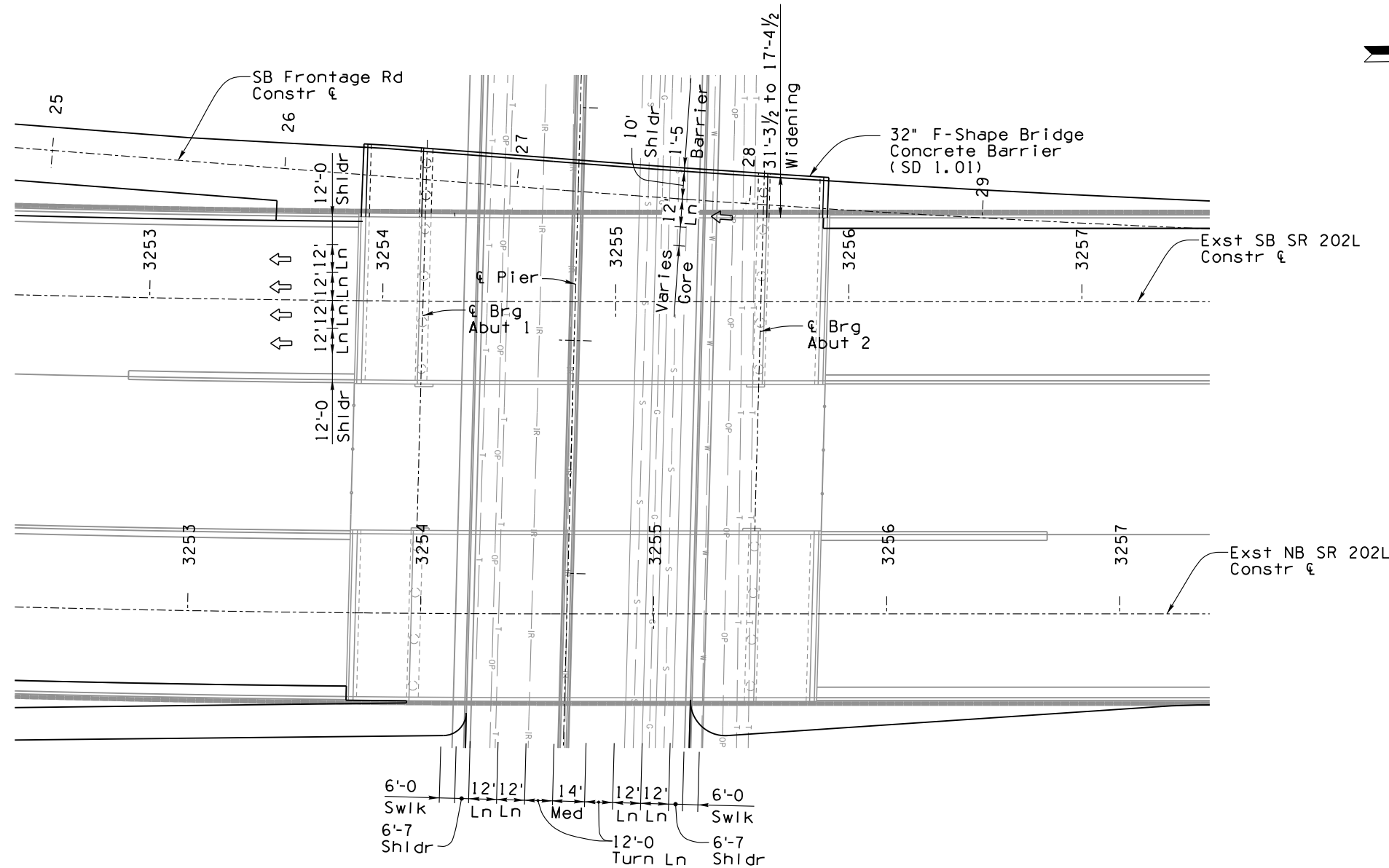
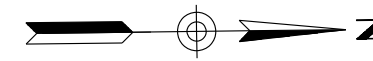
- 1040
- 1030
- 1020
- 1010
- 1000
- 990

DESIGN	BK	DATE	6/19	ARIZONA DEPARTMENT OF TRANSPORTATION INTERMODAL TRANSPORTATION DIVISION BRIDGE GROUP	<b>L/DCR</b> Review NOT FOR CONSTRUCTION OR RECORDING
DRAWN	JW	DATE	6/19		
CHECKED	KRA	DATE	6/19		
<b>HDR</b>		HDR, INC. 3200 E. CAMELBACK ROAD SUITE 300 PHOENIX, AZ 85018-2311 TEL: (602) 522-7700		<b>STA 3194+ SOUTHERN AVE TIOP WB &amp; EB WIDENING</b>	
SR 30	ROUTE	MILEPOST	STRUCTURE NO.		
TRACS NO.		H6876 OIL		OF	

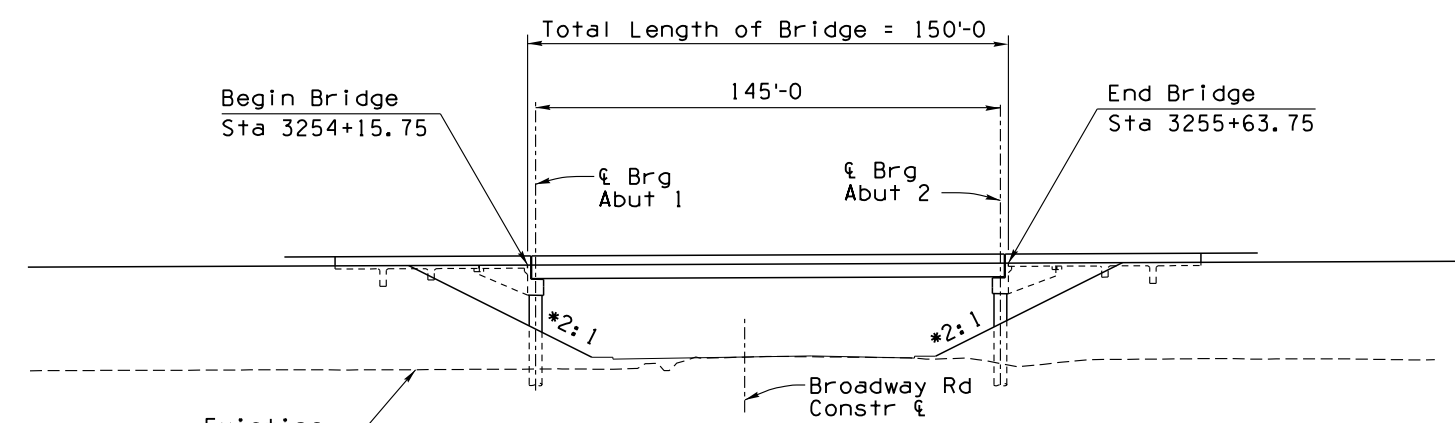


F.H.W.A. REGION	STATE	PROJECT NO.	SHEET NO.	TOTAL SHEETS	RECORD DRAWING
9	ARIZ.				

030 MA 000



**PLAN**  
Scale: 1" = 30'  
Skew: 2°00'00"



**ELEVATION**  
Scale: 1" = 30'-0"  
(WB Elevation Shown)

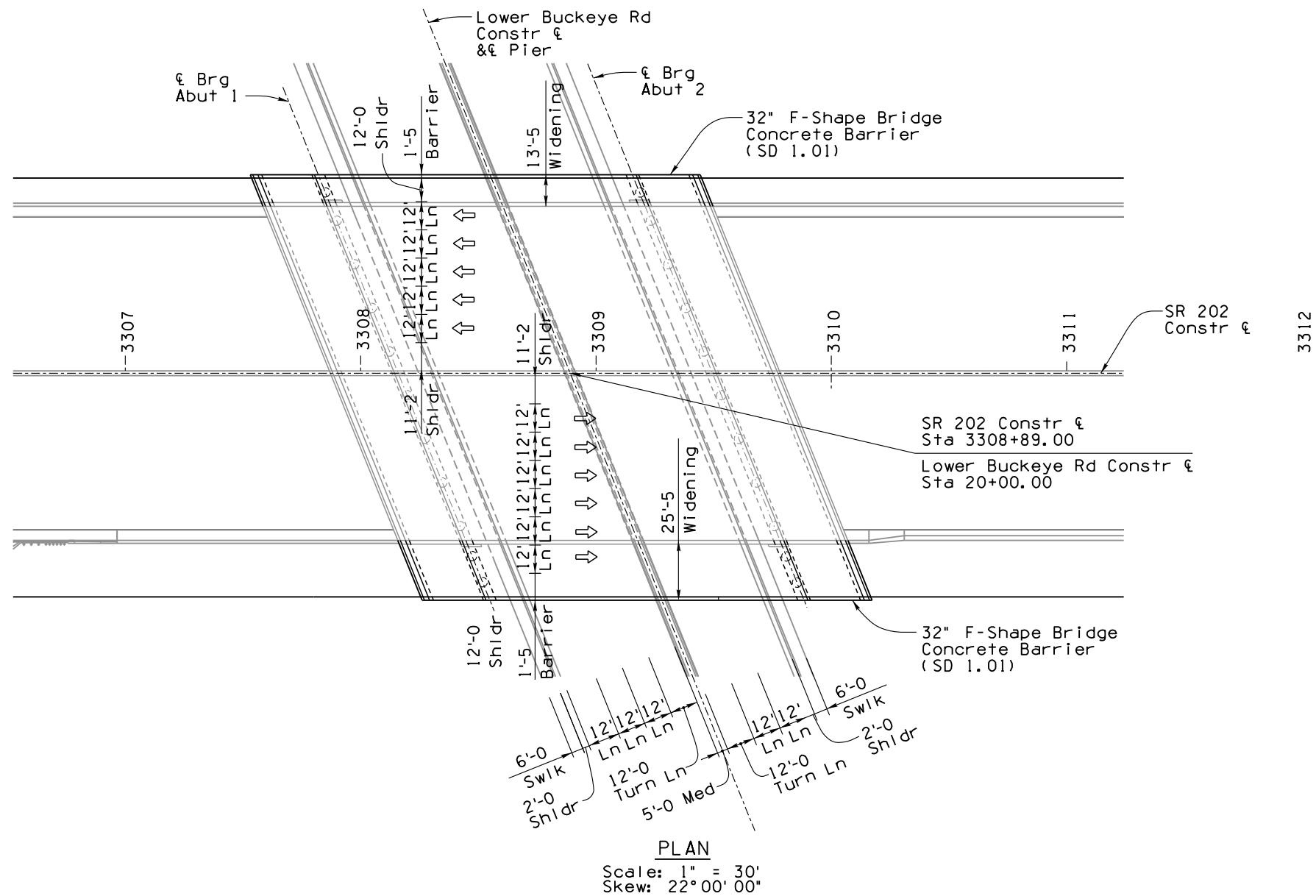
## SECTION 3B-2 SELECTED ALTERNATIVE

DESIGN	BK	DATE	6/19	ARIZONA DEPARTMENT OF TRANSPORTATION INTERMODAL TRANSPORTATION DIVISION BRIDGE GROUP	<b>L/DCR</b> Review NOT FOR CONSTRUCTION OR RECORDING
DRAWN	JW	DATE	6/19		
CHECKED	KRA	DATE	6/19		
<b>SR 30</b>		ROUTE MILEPOST		SR 30, SR 303L TO SR 202L	DWG. NO.S-03.35
TRACS NO.		H676 OIL			

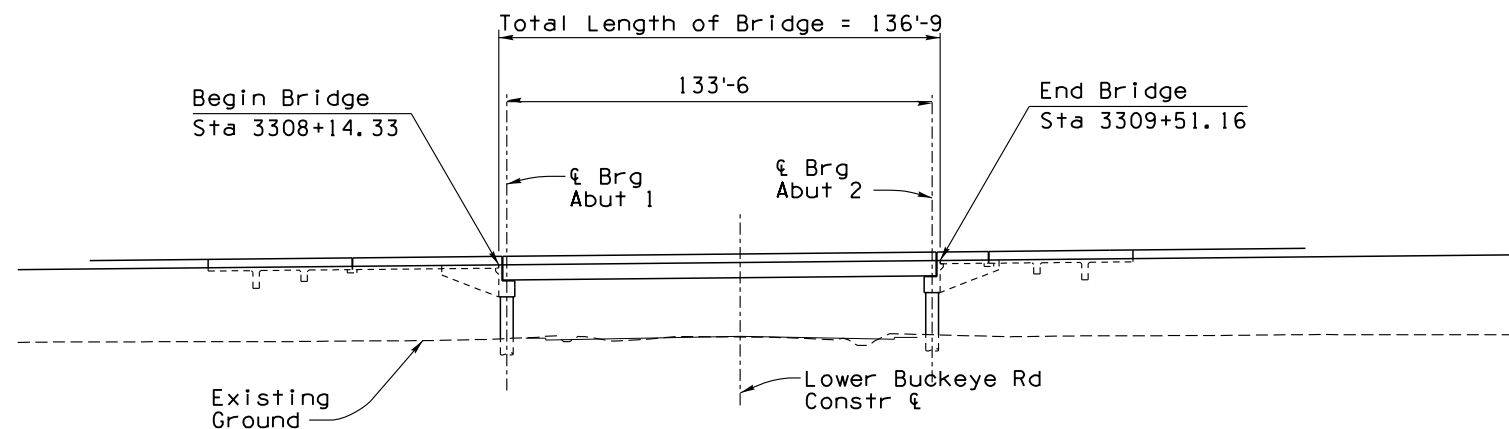
NO. 1 DESCRIPTION OF REVISION  
NO. 2 DESCRIPTION OF REVISION  
MADE BY  
DATE

F.H.W.A. REGION	STATE	PROJECT NO.	SHEET NO.	TOTAL SHEETS	RECORD DRAWING
9	ARIZ.				

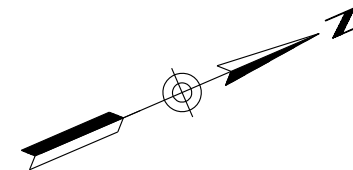
030 MA 000



PLAN  
Scale: 1" = 30'  
Skew: 22°00'00"



ELEVATION  
Scale: 1" = 30'-0"  
(EB Elevation Shown WB Similar)



- 1060
- 1050
- 1040
- 1030
- 1020
- 1010

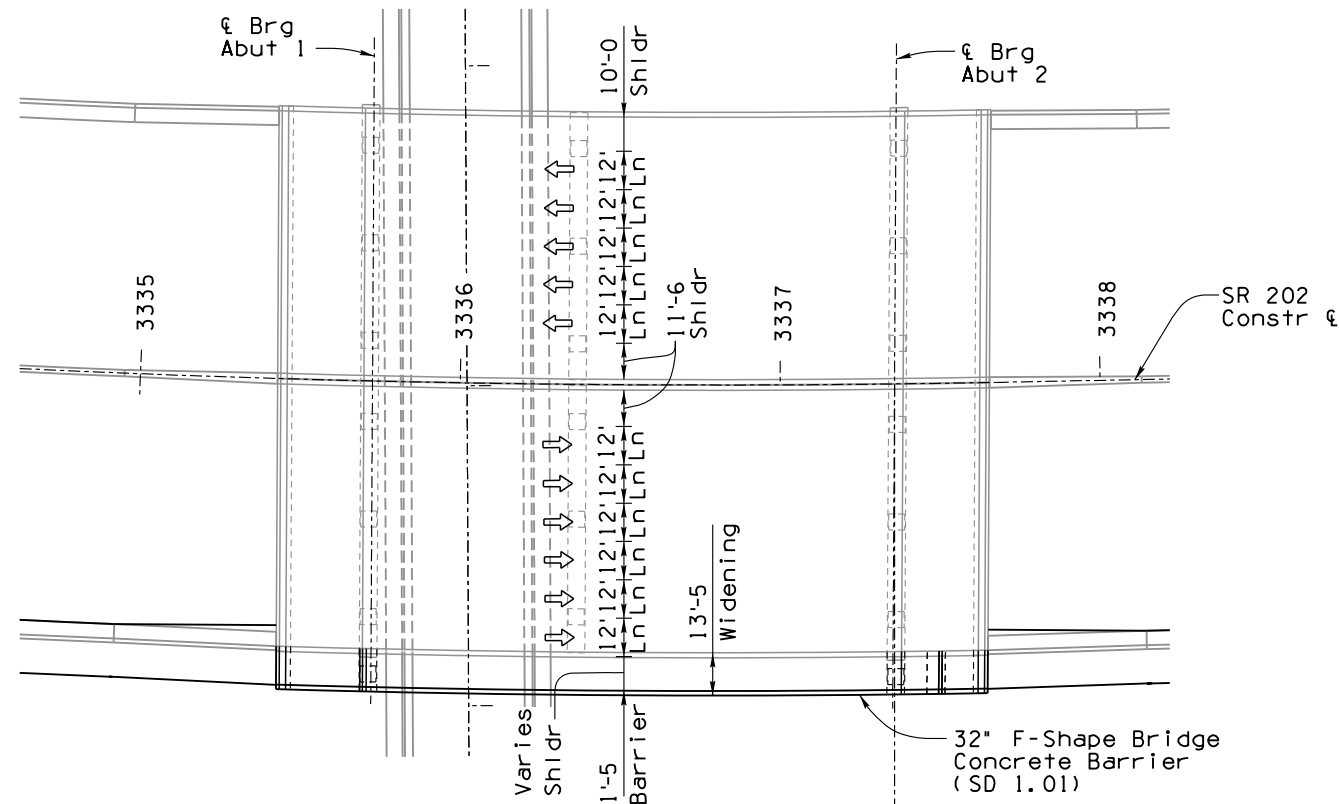
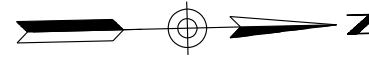
## SECTION 3B-2 SELECTED ALTERNATIVE

DESIGN	BK	DATE	6/19	ARIZONA DEPARTMENT OF TRANSPORTATION INTERMODAL TRANSPORTATION DIVISION BRIDGE GROUP	L/DCR Review NOT FOR CONSTRUCTION OR RECORDING
DRAWN	JW	DATE	6/19		
CHECKED	KRA	DATE	6/19		
SR 30		ROUTE		STA 3307+ LOWER BUCKEYE RD TIOP WIDENING	DWG. NO. S-03.36
TRACS NO.		H6876 OIL		SR 30, SR 303L TO SR 202L	

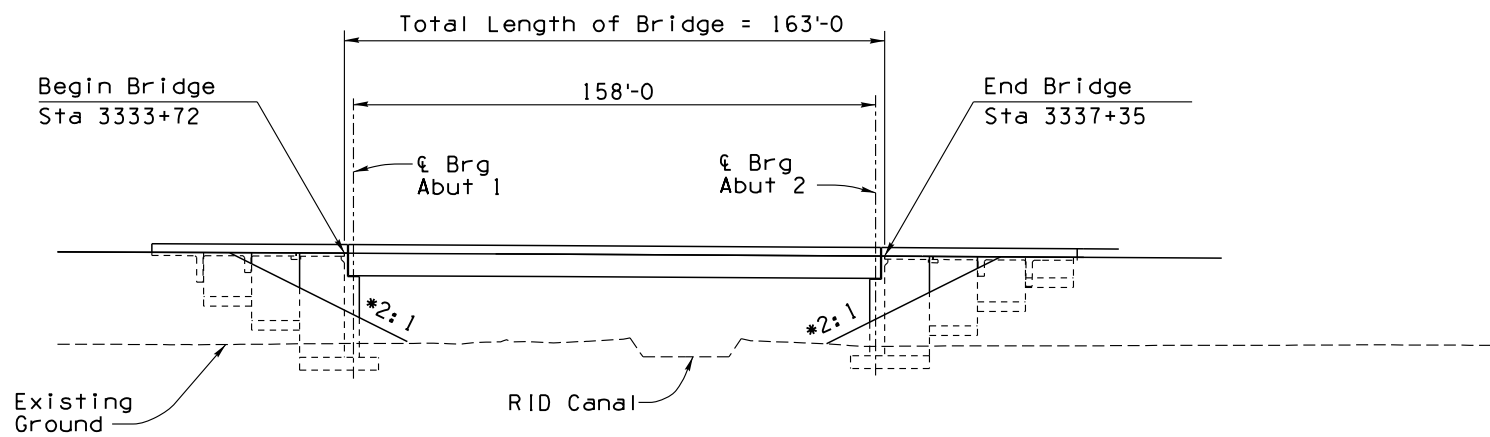
NO. 1 DESCRIPTION OF REVISION DATE MADE BY NO. 2 DESCRIPTION OF REVISION DATE MADE BY

F.H.W.A. REGION	STATE	PROJECT NO.	SHEET NO.	TOTAL SHEETS	RECORD DRAWING
9	ARIZ.				

030 MA 000



PLAN  
Scale: 1" = 30'  
Skew: 0°



ELEVATION  
Scale: 1" = 30'-0'  
(EB Elevation Shown WB Similar)

\*Slopes Perpendicular to  $\phi$  Roadway.

- 1060
- 1050
- 1040
- 1030
- 1020
- 1010

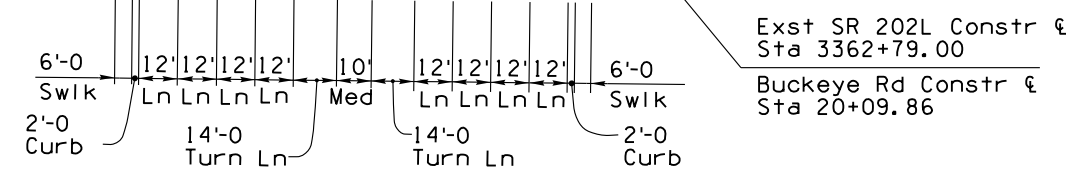
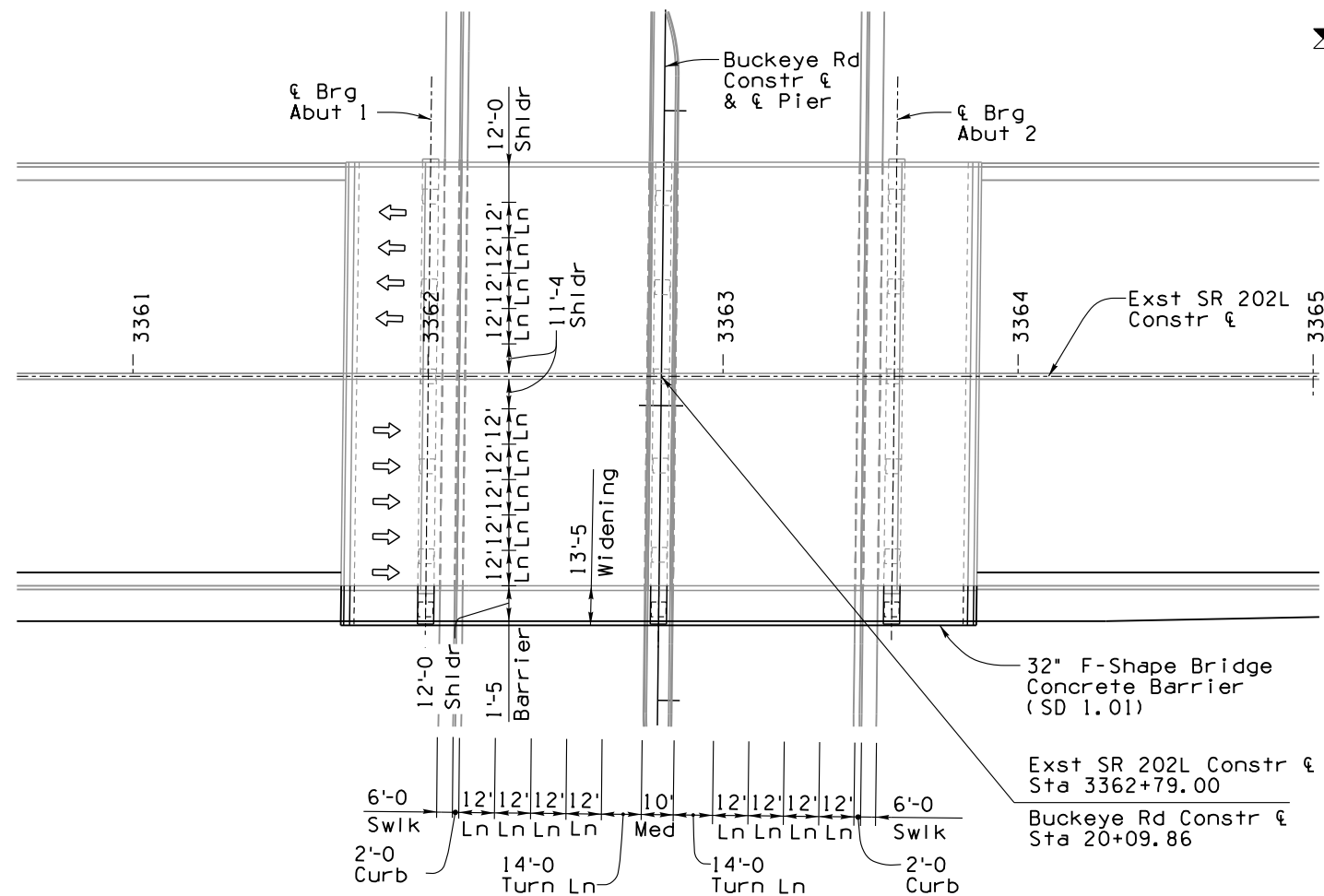
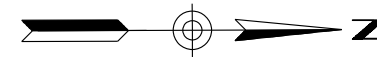
## SECTION 3B-2 SELECTED ALTERNATIVE

DESIGN	JPH	DATE	6/19	ARIZONA DEPARTMENT OF TRANSPORTATION INTERMODAL TRANSPORTATION DIVISION BRIDGE GROUP	L/DCR Review NOT FOR CONSTRUCTION OR RECORDING
DRAWN	JW	DATE	6/19		
CHECKED	KRA	DATE	6/19		
SR 30		ROUTE		STA 3336+ RID CANAL OP WIDENING	SR 30, SR 303L TO SR 202L
MILEPOST		STRUCTURE NO.			
TRACS NO.		H6876 OIL		OF	

NO. 2 DESCRIPTION OF REVISION  
NO. 1 DESCRIPTION OF REVISION  
MADE BY  
DATE  
NO. 2 DESCRIPTION OF REVISION  
NO. 1 DESCRIPTION OF REVISION  
MADE BY  
DATE

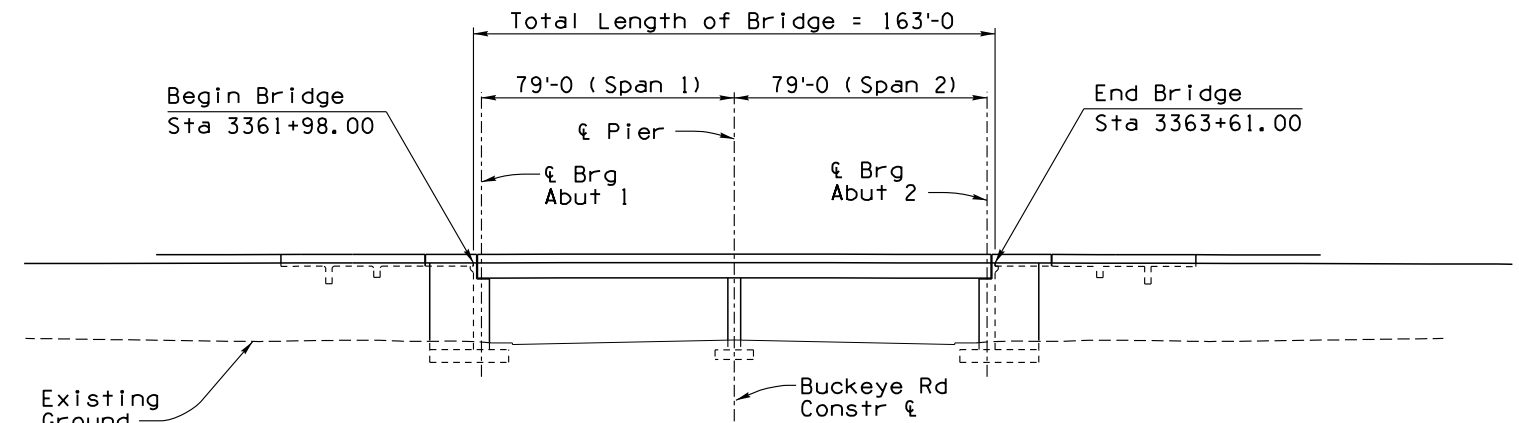
F.H.W.A. REGION	STATE	PROJECT NO.	SHEET NO.	TOTAL SHEETS	RECORD DRAWING
9	ARIZ.				

030 MA 000



**PLAN**  
Scale: 1" = 30'  
Skew: 1° 00' 00"

- 1090
- 1080
- 1070
- 1060
- 1050
- 1040
- 1030



**ELEVATION**  
Scale: 1" = 30'-0"  
(EB Elevation Shown WB Similar)

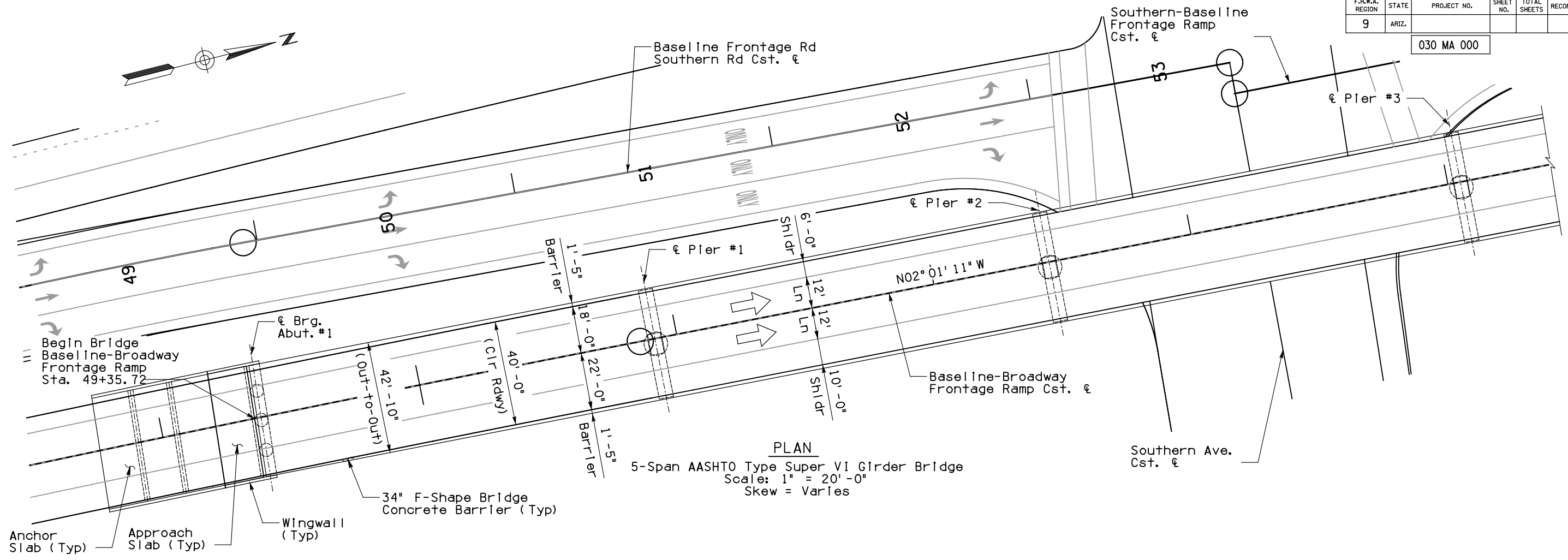
## SECTION 3B-2 SELECTED ALTERNATIVE

DESIGN		JPH	6/19	ARIZONA DEPARTMENT OF TRANSPORTATION INTERMODAL TRANSPORTATION DIVISION BRIDGE GROUP	<b>L/DCR</b> Review NOT FOR CONSTRUCTION OR RECORDING
DRAWN		JW	6/19		
CHECKED		KRA	6/19		
<b>HDR</b>		HDR, INC. 3200 E. CAMELBACK ROAD SUITE 300 PHOENIX, AZ 85018-2311 TEL: (602) 522-7700		<b>STA 3361+ BUCKEYE RD TIOP WIDENING</b>	
		SR 30		SR 30, SR 303L TO SR 202L	DWG. NO. S-03.38
ROUTE	MILEPOST	STRUCTURE NO.			
TRACS NO.	H6876 OIL				___ OF ___

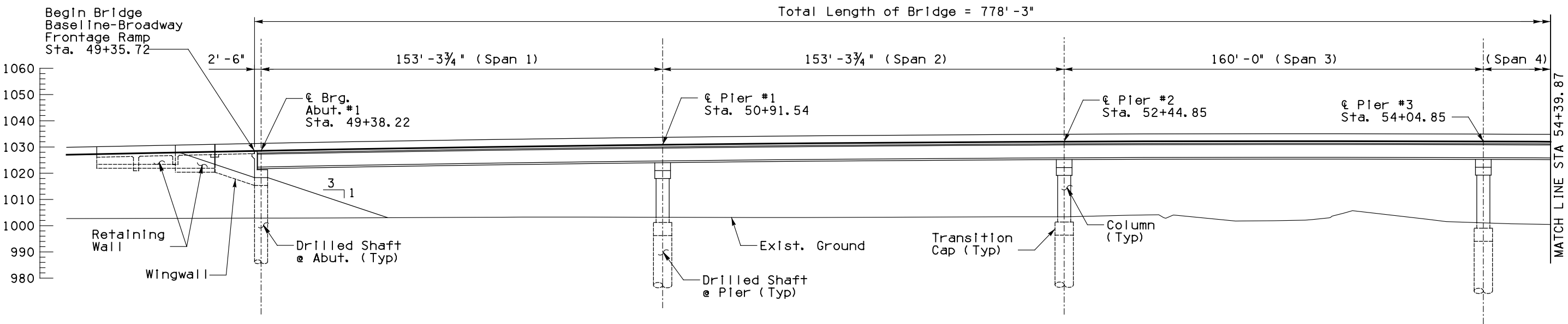
NO. 1 DESCRIPTION OF REVISION DATE MADE BY NO. 2 DESCRIPTION OF REVISION DATE MADE BY

F.H.W.A. REGION	STATE	PROJECT NO.	SHEET NO.	TOTAL SHEETS	RECORD DRAWING
9	ARIZ.				

030 MA 000



**PLAN**  
5-Span AASHTO Type Super VI Girder Bridge  
Scale: 1" = 20'-0"  
Skew = Varies



**ELEVATION**

# SECTION 3B-2 SELECTED ALTERNATIVE

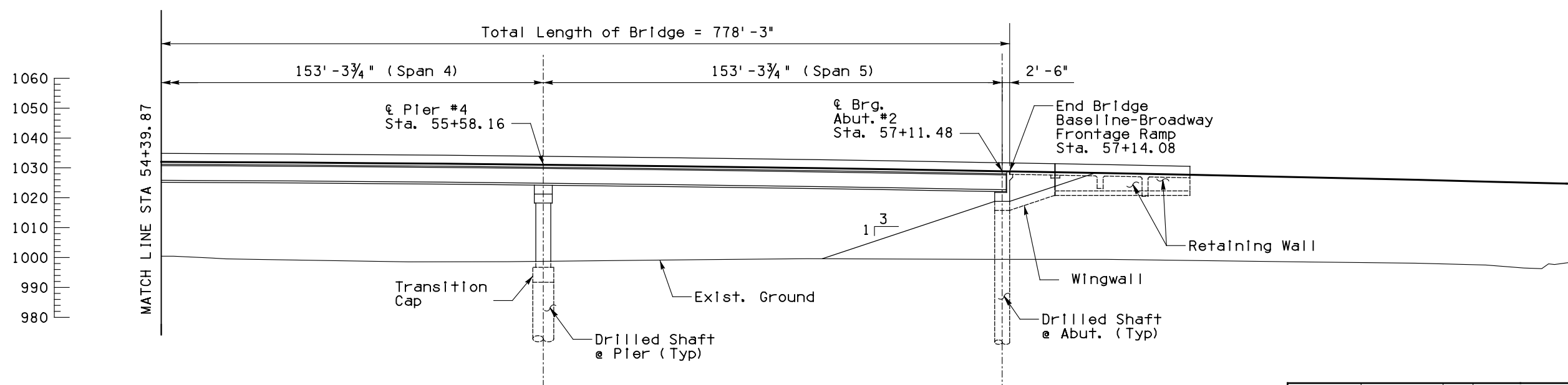
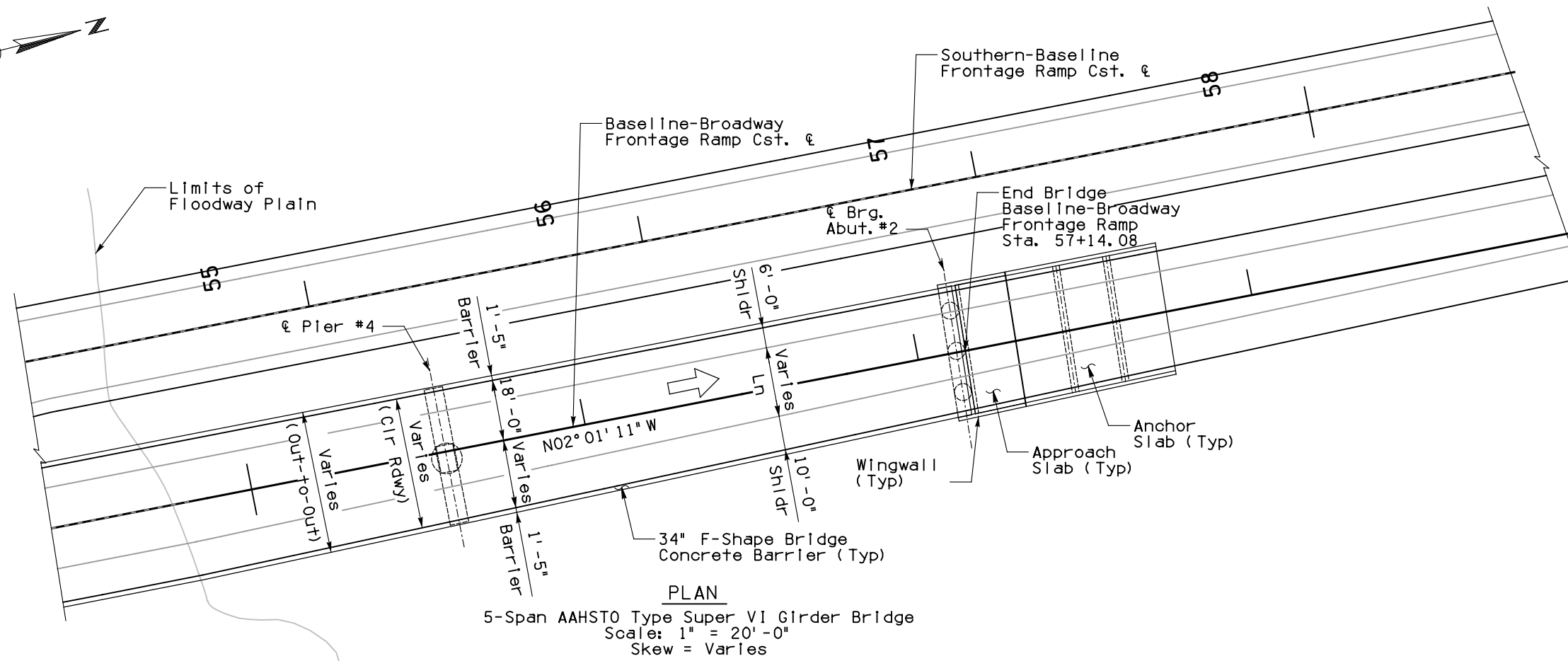
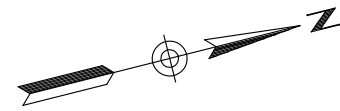
DESIGN	NAME	DATE	ARIZONA DEPARTMENT OF TRANSPORTATION INFRASTRUCTURE DELIVERY AND OPERATIONS DIVISION <b>BRIDGE GROUP</b>	<b>L/DCR</b> Review NOT FOR CONSTRUCTION OR RECORDING
DRAWN	Y PATEL	05/18		
CHECKED	A MOTHUKURI	05/18		
	S KAYAT	05/18		
NFra Inc. a transportation engineering firm 77 East Thomas Road, Suite 200 Phoenix, Arizona 85012			<b>BASELINE - BROADWAY FRONTAGE RAMP</b>	<b>NOT FOR CONSTRUCTION OR RECORDING</b>
SR 30	ROUTE	STRUCTURE NO.		
TRACS NO.			SR 30, SR 303L TO SR 202L	S-03.39
				OF

NFRA-ADOT\_PDF\_HALF\_PLT  
NFRA-ADOT\_STRUCT\_TBL

DATE: \_\_\_\_\_ LOCATION: \_\_\_\_\_ REVISIONS: \_\_\_\_\_ FINISHED PLANS: \_\_\_\_\_ SURVEY NO. \_\_\_\_\_ DATE: \_\_\_\_\_ LOCATION: \_\_\_\_\_ REVISIONS: \_\_\_\_\_ FINISHED PLANS: \_\_\_\_\_ SURVEY NO. \_\_\_\_\_

F.H.W.A. REGION	STATE	PROJECT NO.	SHEET NO.	TOTAL SHEETS	RECORD DRAWING
9	ARIZ.				

030 MA 000



## SECTION 3B-2 SELECTED ALTERNATIVE

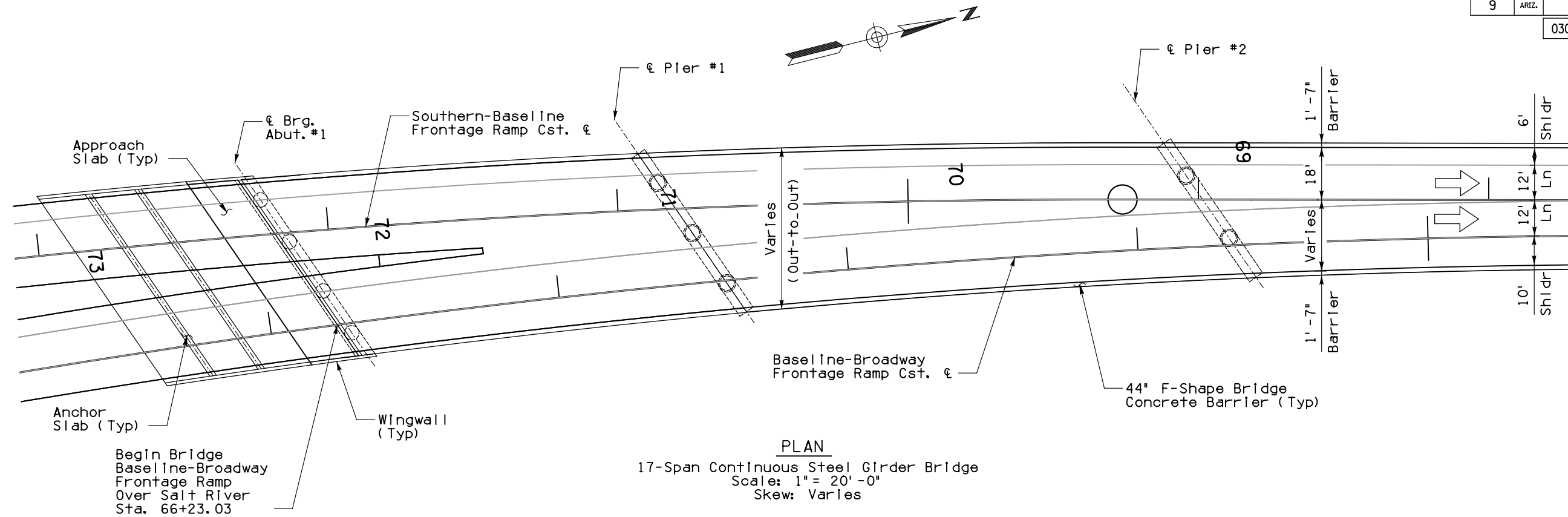
DESIGN	Y PATEL	DATE	05/18	ARIZONA DEPARTMENT OF TRANSPORTATION INFRASTRUCTURE DELIVERY AND OPERATIONS DIVISION <b>BRIDGE GROUP</b>	<b>L/DCR</b> Review NOT FOR CONSTRUCTION OR RECORDING
DRAWN	A MOTHUKURI	DATE	05/18		
CHECKED	S KAYAT	DATE	05/18		
NFra Inc. <small>a transportation engineering firm</small> 77 East Thomas Road, Suite 200 Phoenix, Arizona 85012		LOCATION		SR 30, SR 303L TO SR 202L	
SR 30	ROUTE	MILEPOST	STRUCTURE NO.	DWG NO S-03.40	
TRACS NO.				OF	

NFRA-ADOT\_PDF\_HALF.PLT  
NFRA-ADOT\_STRUCT.TBL

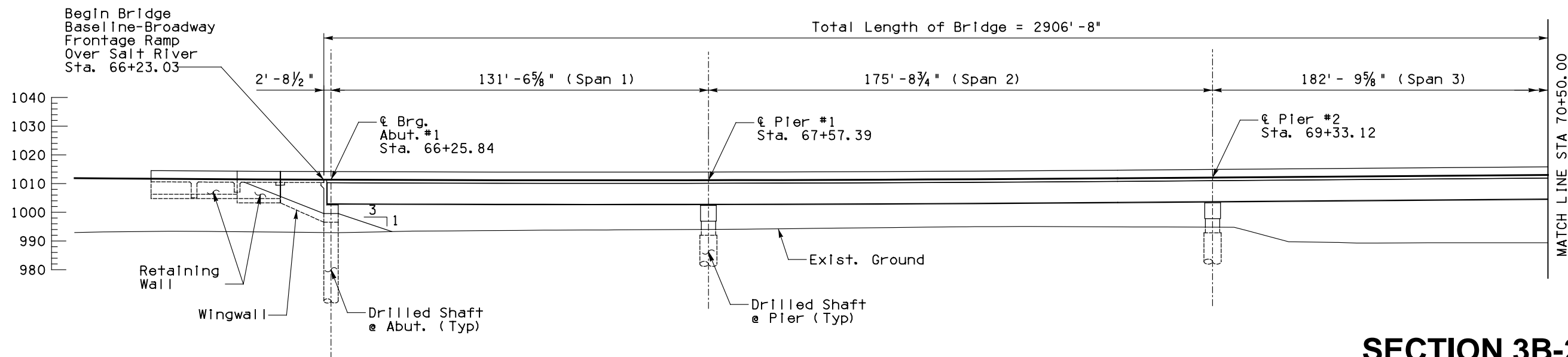
DATE: \_\_\_\_\_ LOCATION: \_\_\_\_\_ REVISIONS: \_\_\_\_\_ FINISHED PLANS: \_\_\_\_\_ SURVEY NO. \_\_\_\_\_ DATE: \_\_\_\_\_ LOCATION: \_\_\_\_\_ REVISIONS: \_\_\_\_\_ FINISHED PLANS: \_\_\_\_\_ SURVEY NO. \_\_\_\_\_

F.H.W.A. REGION	STATE	PROJECT NO.	SHEET NO.	TOTAL SHEETS	RECORD DRAWING
9	ARIZ.				

030 MA 000



**PLAN**  
 17-Span Continuous Steel Girder Bridge  
 Scale: 1" = 20'-0"  
 Skew: Varies



**ELEVATION**

## SECTION 3B-2 SELECTED ALTERNATIVE

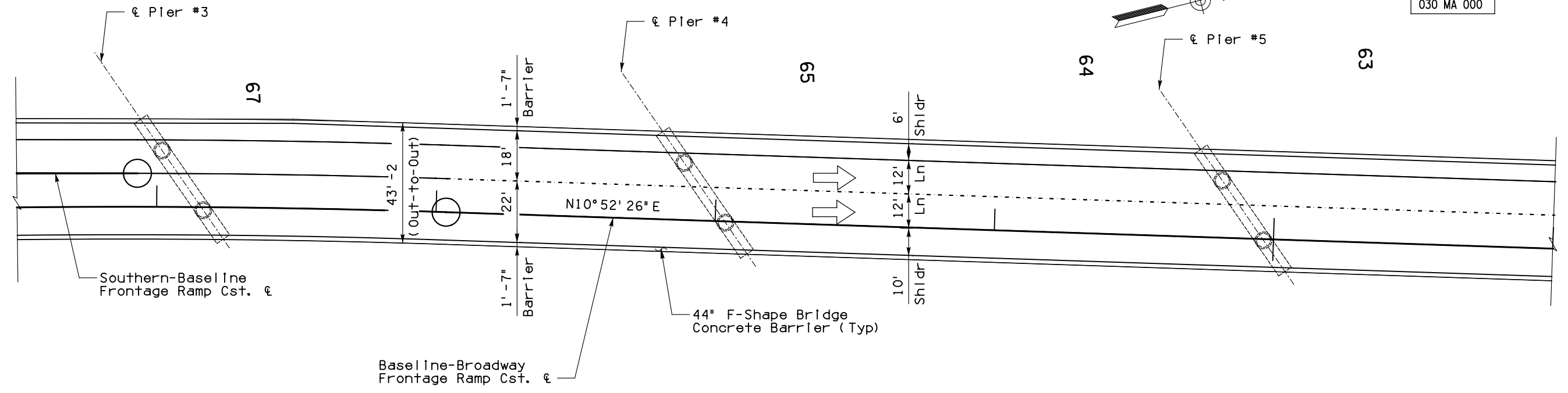
DESIGN	Y PATEL	DATE	05/18	ARIZONA DEPARTMENT OF TRANSPORTATION INFRASTRUCTURE DELIVERY AND OPERATIONS DIVISION <b>BRIDGE GROUP</b>	<b>L/DCR</b> Review NOT FOR CONSTRUCTION OR RECORDING
DRAWN	A MOTHUKURI	DATE	05/18		
CHECKED	S KAYAT	DATE	05/18		
NFra Inc. <i>a transportation engineering firm</i> 77 East Thomas Road, Suite 200 Phoenix, Arizona 85012		LOCATION SR 30, SR 303L TO SR 202L		DWG NO S-03.41 OF	
SR 30	ROUTE	MILEPOST	STRUCTURE NO.	TRACS NO.	

NFRA-ADOT\_PDF\_HALF.PLT  
 NFRA-ADOT\_STRUCT.TBL  
 SURVEY NO.

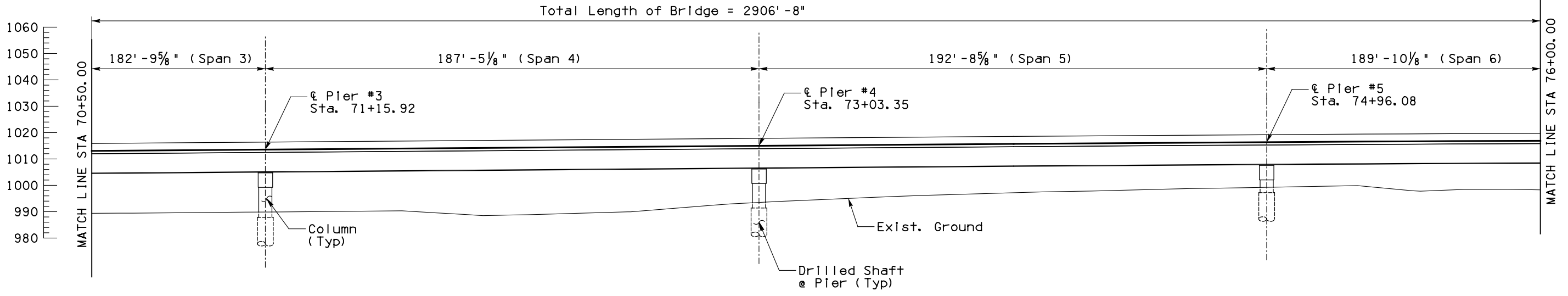
DATE-  
 LOCATION-  
 REVISIONS-  
 FINISHED PLANS-  
 SURVEY NO.

F.H.W.A. REGION	STATE	PROJECT NO.	SHEET NO.	TOTAL SHEETS	RECORD DRAWING
9	ARIZ.				

030 MA 000



**PLAN**  
 17-Span Continuous Steel Girder Bridge  
 Scale: 1" = 20'-0"  
 Skew: Varies



**ELEVATION**

## SECTION 3B-2 SELECTED ALTERNATIVE

DESIGN	Y PATEL	DATE	05/18	ARIZONA DEPARTMENT OF TRANSPORTATION INFRASTRUCTURE DELIVERY AND OPERATIONS DIVISION <b>BRIDGE GROUP</b>	<b>L/DCR</b> Review NOT FOR CONSTRUCTION OR RECORDING
DRAWN	A MOTHUKURI	DATE	05/18		
CHECKED	S KAYAT	DATE	05/18		
NFra Inc. a transportation engineering firm 77 East Thomas Road, Suite 200 Phoenix, Arizona 85012		LOCATION		BASELINE - BROADWAY FRONTAGE RAMP OVER SALT RIVER	
SR 30	ROUTE	MILEPOST	STRUCTURE NO.	SR 30, SR 303L TO SR 202L	
TRACS NO.				DWG NO S-03.42	
				OF	

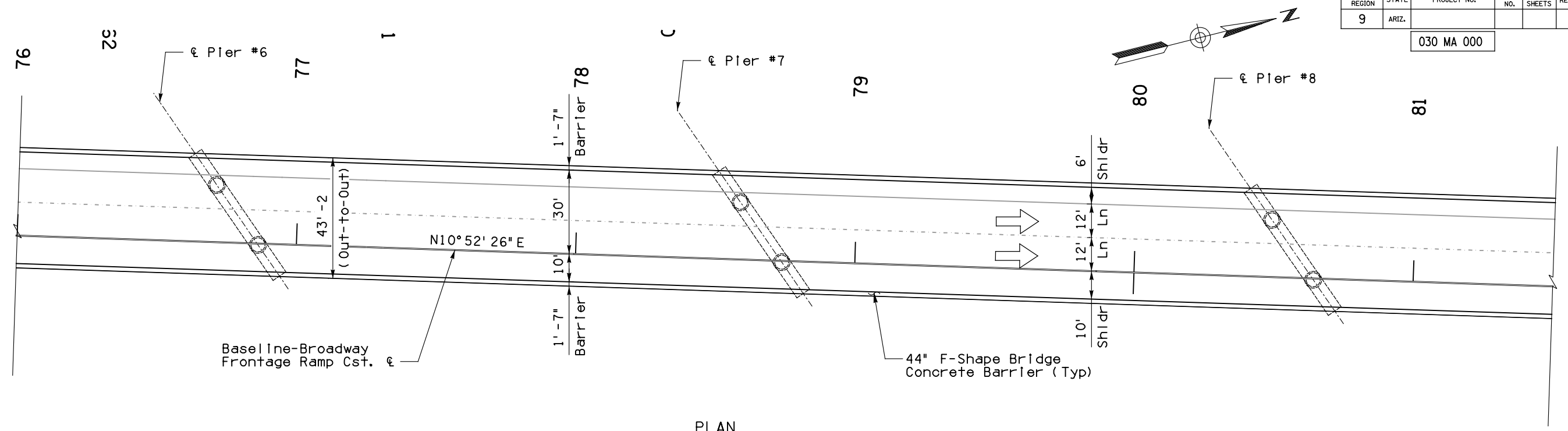
NFRA-ADOT\_PDF\_HALF.PLT  
 NFRA-ADOT\_STRUCTURE.TBL  
 SURVEY NO. FINISHED PLANS-

DATE- LOCATION- REVISIONS- FINISHED PLANS- SURVEY NO. DATE- LOCATION- REVISIONS- FINISHED PLANS- SURVEY NO. DATE-

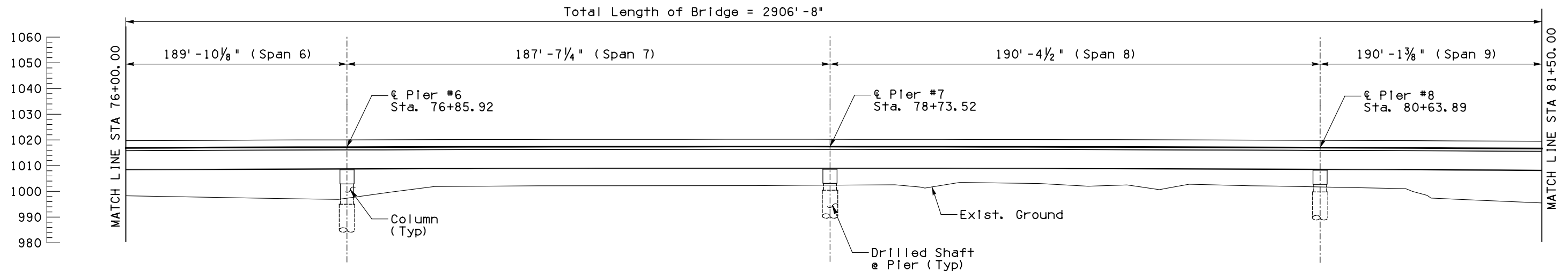


F.H.W.A. REGION	STATE	PROJECT NO.	SHEET NO.	TOTAL SHEETS	RECORD DRAWING
9	ARIZ.				

030 MA 000



**PLAN**  
 17-Span Continuous Steel Girder Bridge  
 Scale: 1" = 20'-0"  
 Skew = Varies



**ELEVATION**

## SECTION 3B-2 SELECTED ALTERNATIVE

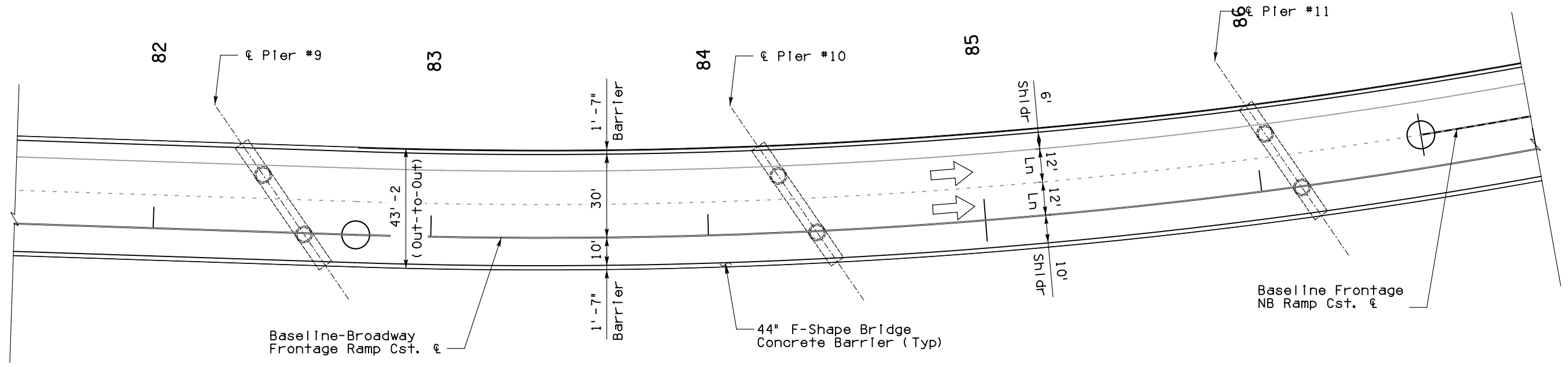
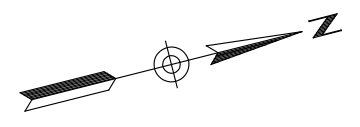
DESIGN	NAME	DATE	ARIZONA DEPARTMENT OF TRANSPORTATION INFRASTRUCTURE DELIVERY AND OPERATIONS DIVISION <b>BRIDGE GROUP</b>	<b>L/DCR</b> Review NOT FOR CONSTRUCTION OR RECORDING
DRAWN	Y PATEL	05/18		
CHECKED	A MOTHUKURI	05/18		
NFra Inc. <i>a transportation engineering firm</i> 77 East Thomas Road, Suite 200 Phoenix, Arizona 85012			<b>BASELINE - BROADWAY    FRONTAGE RAMP    OVER SALT RIVER</b>	DWG NO S-03.43 OF
SR 30	ROUTE	STRUCTURE NO.		
TRACS NO.				

NFRA-ADOT\_PDF\_HALF.PLT  
 NFRA-ADOT\_STRUCTURE.TBL  
 SURVEY NO.

DATE- LOCATION- REVISIONS- FINISHED PLANS- SURVEY NO. DATE- LOCATION- REVISIONS- FINISHED PLANS- SURVEY NO.

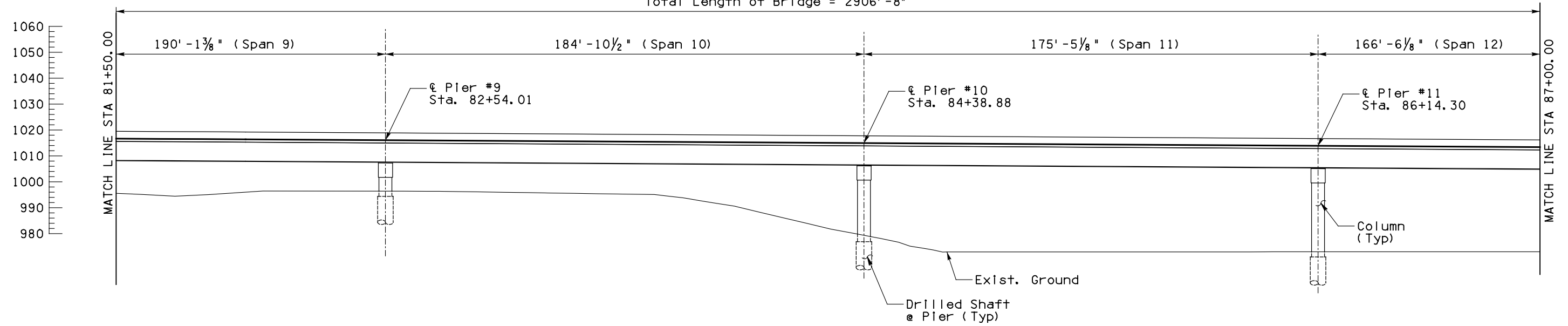
F.H.W.A. REGION	STATE	PROJECT NO.	SHEET NO.	TOTAL SHEETS	RECORD DRAWING
9	ARIZ.				

030 MA 000



**PLAN**  
 17-Span Continuous Steel Girder Bridge  
 Scale: 1" = 20'-0"  
 Skew = Varies

Total Length of Bridge = 2906'-8"



**ELEVATION**

**SECTION 3B-2  
 SELECTED ALTERNATIVE**

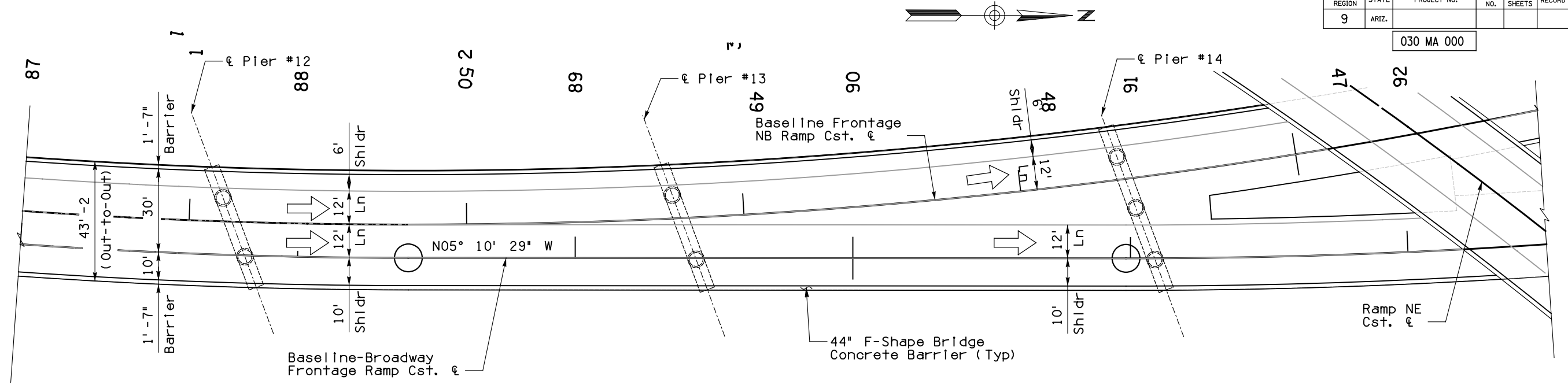
DESIGN	Y PATEL	DATE	05/18	ARIZONA DEPARTMENT OF TRANSPORTATION INFRASTRUCTURE DELIVERY AND OPERATIONS DIVISION <b>BRIDGE GROUP</b>	<b>L/DCR</b> Review NOT FOR CONSTRUCTION OR RECORDING
DRAWN	A MOTHUKURI	DATE	05/18		
CHECKED	S KAYAT	DATE	05/18		
NFra Inc. <small>a transportation engineering firm</small> 77 East Thomas Road, Suite 200 Phoenix, Arizona 85012		LOCATION		SR 30, SR 303L TO SR 202L	
SR 30	ROUTE	MILEPOST	STRUCTURE NO.	DWG NO S-03.44	
TRACS NO.				OF	

NFRA-ADOT\_PDF\_HALF.PLT  
NFRA-ADOT\_STRUCT.TBL

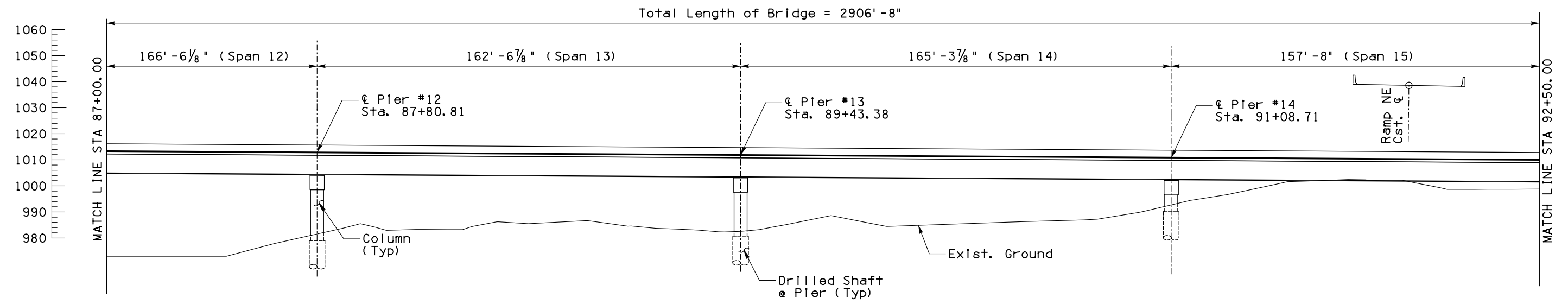
DATE- LOCATION- REVISIONS- FINISHED PLANS- SURVEY NO. DATE- LOCATION- REVISIONS- FINISHED PLANS- SURVEY NO.

F.H.W.A. REGION	STATE	PROJECT NO.	SHEET NO.	TOTAL SHEETS	RECORD DRAWING
9	ARIZ.				

030 MA 000



**PLAN**  
 17-Span Continuous Steel Girder Bridge  
 Scale: 1" = 20' -0"  
 Skew = Varies



**ELEVATION**

**SECTION 3B-2  
 SELECTED ALTERNATIVE**

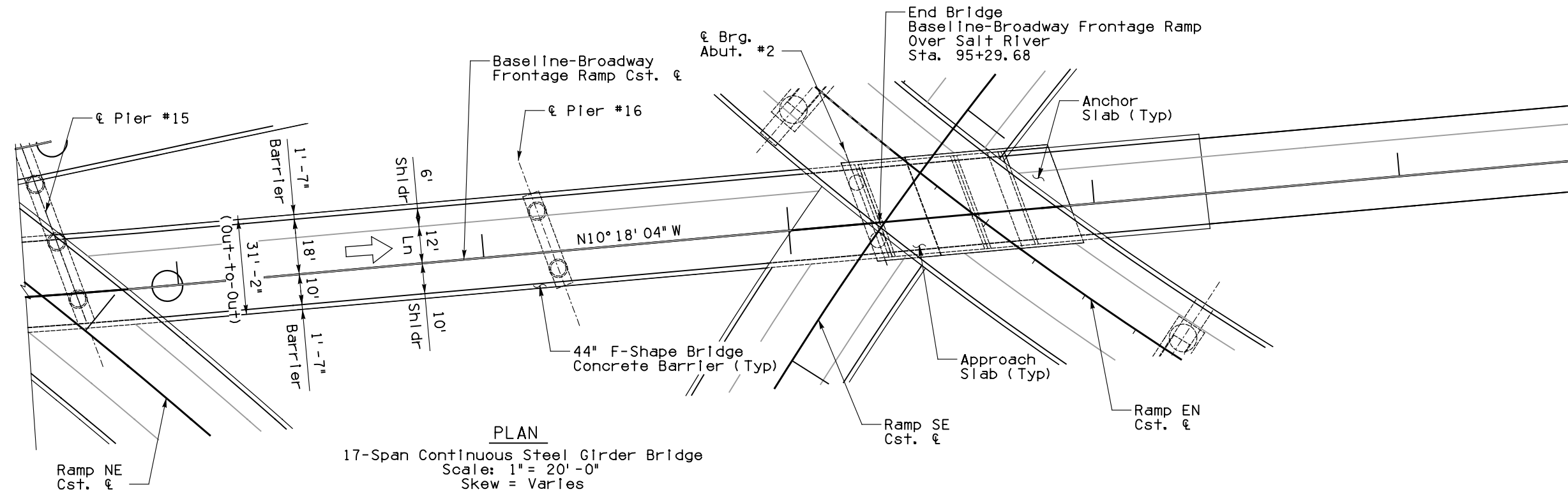
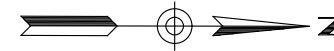
DESIGN	Y PATEL	DATE	05/18	ARIZONA DEPARTMENT OF TRANSPORTATION INFRASTRUCTURE DELIVERY AND OPERATIONS DIVISION <b>BRIDGE GROUP</b>	<b>L/DCR</b> Review NOT FOR CONSTRUCTION OR RECORDING
DRAWN	A MOTHUKURI	DATE	05/18		
CHECKED	S KAYAT	DATE	05/18		
NFra Inc. a transportation engineering firm 77 East Thomas Road, Suite 200 Phoenix, Arizona 85012		LOCATION		SR 30, SR 303L TO SR 202L	
SR 30	ROUTE	STRUCTURE NO.		DWG NO S-03.45	
TRACS NO.				OF	

NFRA-ADOT\_PDF\_HALF.PLT  
NFRA-ADOT\_STRUCT.TBL

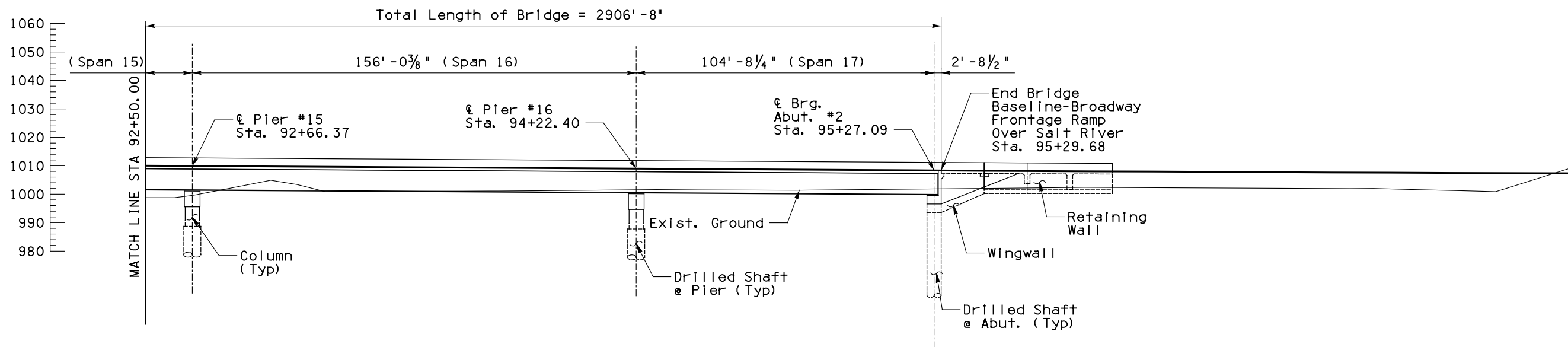
DATE: \_\_\_\_\_ LOCATION: \_\_\_\_\_ REVISIONS: \_\_\_\_\_ FINISHED PLANS: \_\_\_\_\_ SURVEY NO. \_\_\_\_\_

F.H.W.A. REGION	STATE	PROJECT NO.	SHEET NO.	TOTAL SHEETS	RECORD DRAWING
9	ARIZ.				

030 MA 000



**PLAN**  
 17-Span Continuous Steel Girder Bridge  
 Scale: 1" = 20'-0"  
 Skew = Varies



**ELEVATION**

## SECTION 3B-2 SELECTED ALTERNATIVE

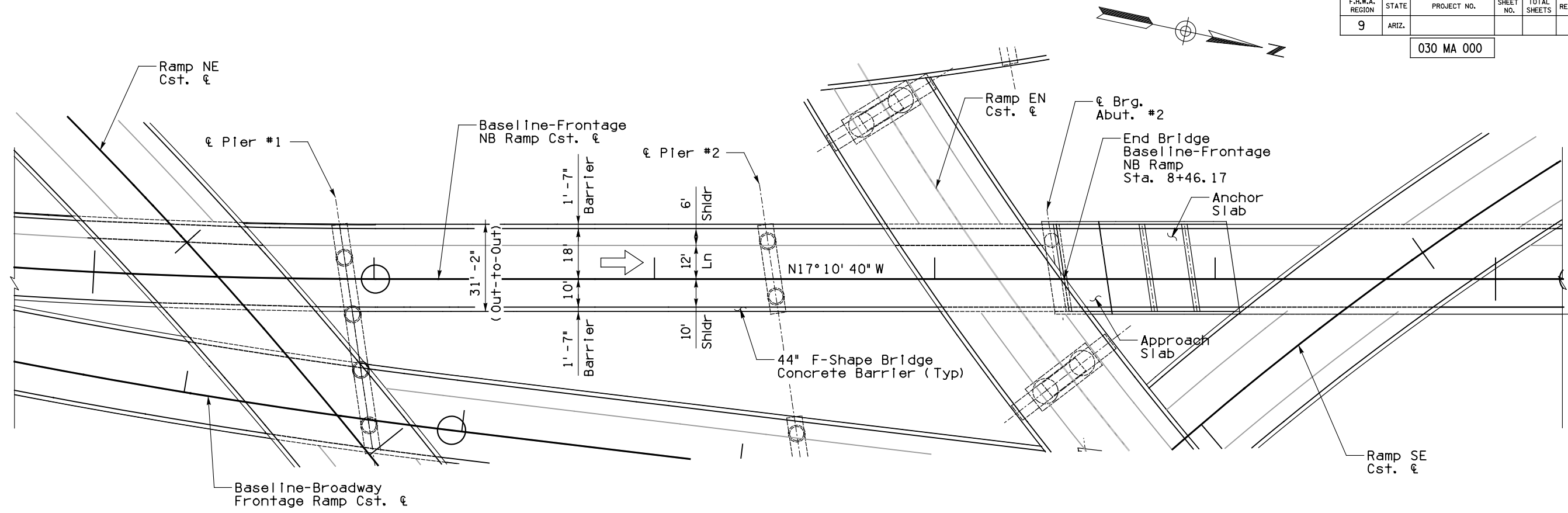
DESIGN	NAME	DATE	ARIZONA DEPARTMENT OF TRANSPORTATION INFRASTRUCTURE DELIVERY AND OPERATIONS DIVISION <b>BRIDGE GROUP</b>	<b>L/DCR</b> Review NOT FOR CONSTRUCTION OR RECORDING
DRAWN	Y PATEL	05/18		
CHECKED	A MOTHUKURI	05/18		
	S KAYAT	05/18	<b>BASELINE - BROADWAY    FRONTAGE RAMP    OVER SALT RIVER</b>	
SR 30	LOCATION	SR 30, SR 303L TO SR 202L		DWG NO S-03.46
ROUTE	MILEPOST	STRUCTURE NO.		
TRACS NO.				OF

NFRA-ADOT\_PDF\_HALF\_PLT  
 NFRA-ADOT\_STRUCT\_TBL  
 SURVEY NO.

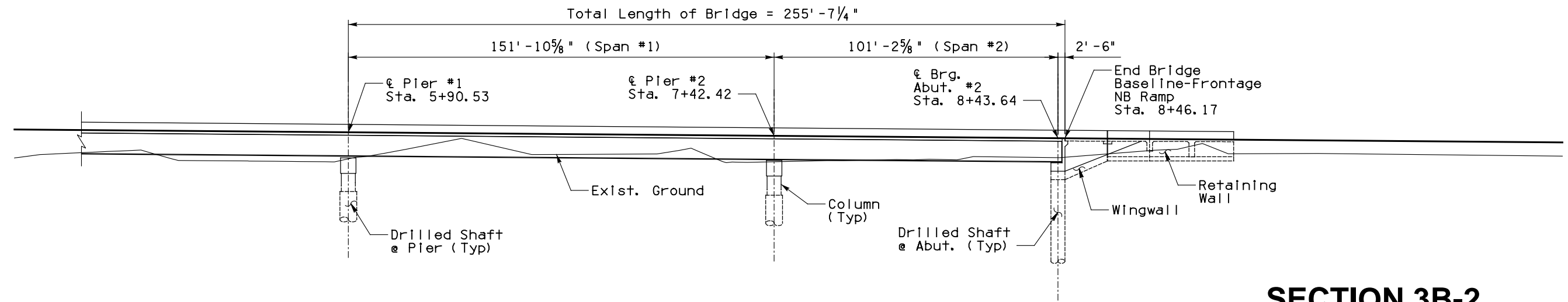
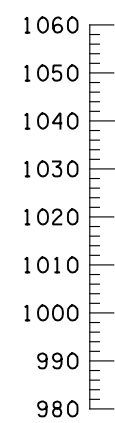
DATE-  
 LOCATION-  
 REVISIONS-  
 FINISHED PLANS-  
 SURVEY NO.

F.H.W.A. REGION	STATE	PROJECT NO.	SHEET NO.	TOTAL SHEETS	RECORD DRAWING
9	ARIZ.				

030 MA 000



**PLAN**  
 2-Span AAHSTO Type Super VI Girder Bridge  
 Scale: 1" = 20'-0"  
 Skew = Varies



**ELEVATION**

## SECTION 3B-2 SELECTED ALTERNATIVE

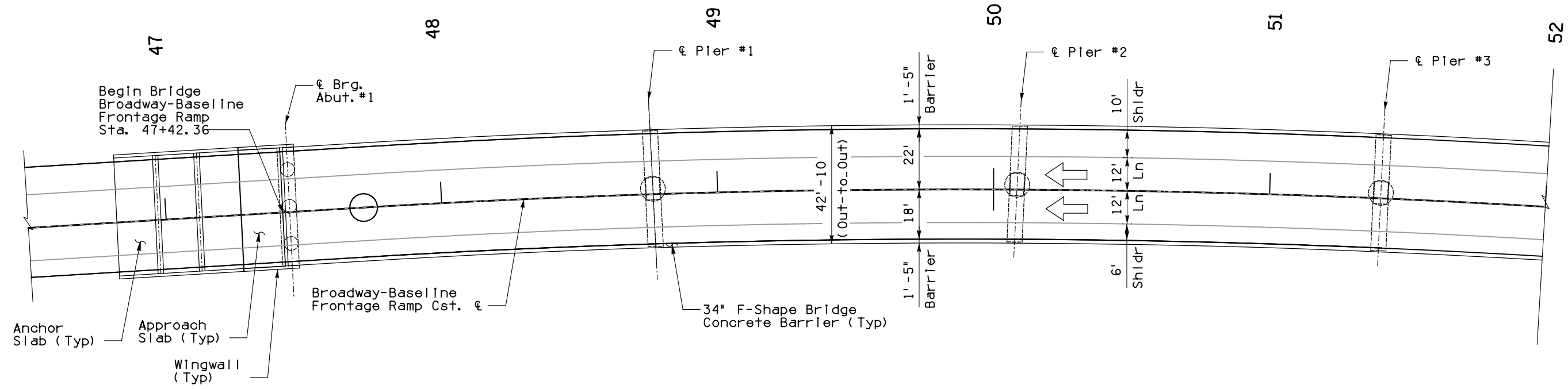
DESIGN	Y PATEL	DATE	05/18	ARIZONA DEPARTMENT OF TRANSPORTATION INFRASTRUCTURE DELIVERY AND OPERATIONS DIVISION <b>BRIDGE GROUP</b>	<b>L/DCR</b> Review NOT FOR CONSTRUCTION OR RECORDING
DRAWN	A MOTHUKURI	DATE	05/18		
CHECKED	S KAYAT	DATE	05/18		
NFra Inc. <i>a transportation engineering firm</i> 77 East Thomas Road, Suite 200 Phoenix, Arizona 85012		LOCATION		SR 30, SR 303L TO SR 202L	
SR 30	ROUTE	MILEPOST	STRUCTURE NO.	DWG NO S-03.47	
TRACS NO.			OF		

NFRA-ADOT\_PDF\_HALF.PLT  
 NFRA-ADOT\_STRUCT.TBL

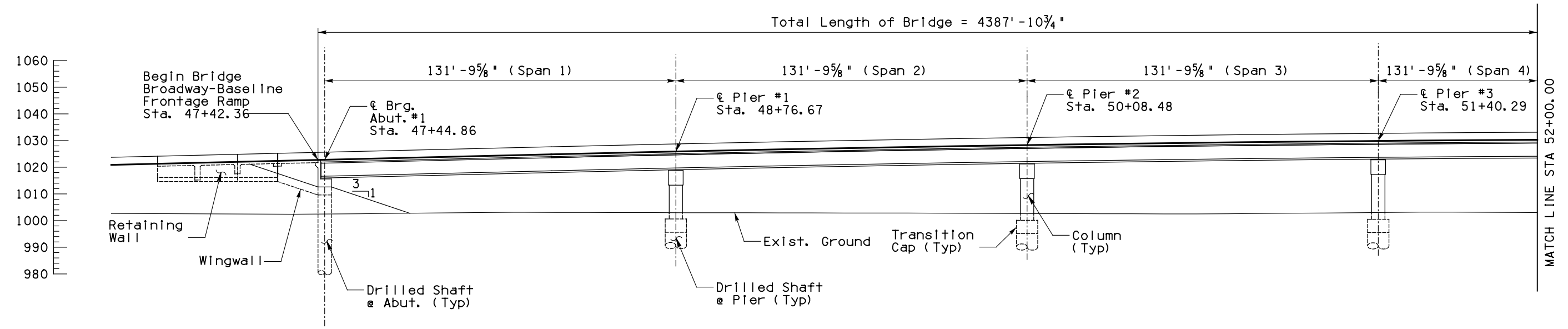
DATE: LOCATION: REVISIONS: FINISHED PLANS: SURVEY NO.

F.H.W.A. REGION	STATE	PROJECT NO.	SHEET NO.	TOTAL SHEETS	RECORD DRAWING
9	ARIZ.				

030 MA 000



**PLAN**  
 12-Span AAHSTO Type Super VI Girder Bridge  
 17-Span Continuous Steel Girder Bridge  
 Scale: 1" = 20'-0"  
 Skew = Varies



**ELEVATION**

## SECTION 3B-2 SELECTED ALTERNATIVE

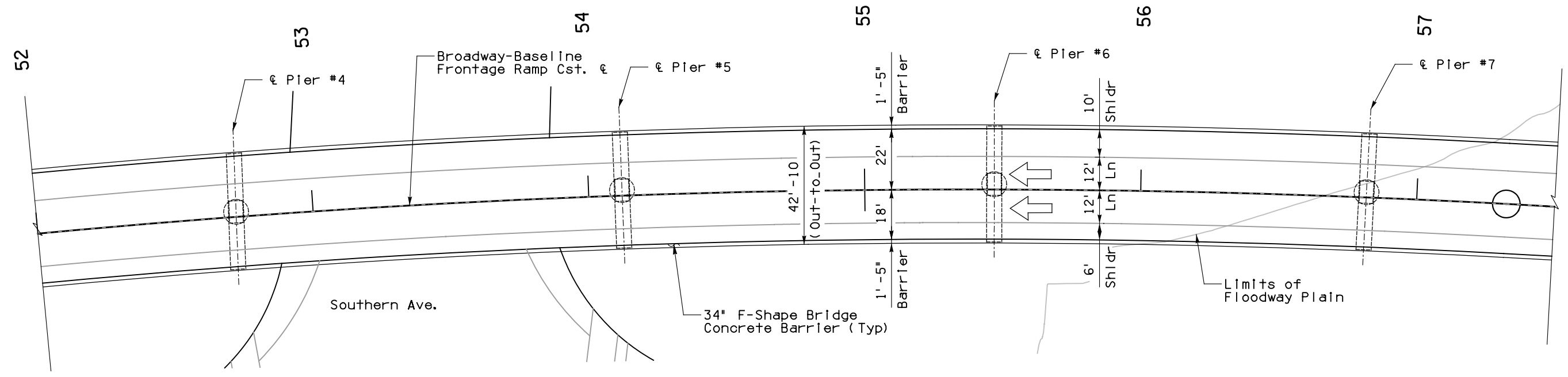
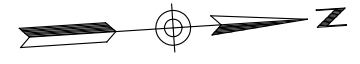
DESIGN	NAME	DATE	ARIZONA DEPARTMENT OF TRANSPORTATION INFRASTRUCTURE DELIVERY AND OPERATIONS DIVISION <b>BRIDGE GROUP</b>	<b>L/DCR</b> Review NOT FOR CONSTRUCTION OR RECORDING
DRAWN	Y PATEL	05/18		
CHECKED	A MOTHUKURI	05/18		
NFRa Inc. a transportation engineering firm 77 East Thomas Road, Suite 200 Phoenix, Arizona 85012			<b>BROADWAY - BASELINE    FRONTAGE RAMP</b>	DWG NO S-03.48
SR 30	ROUTE	STRUCTURE NO.		
TRACS NO.			SR 30, SR 303L TO SR 202L	OF

NFRa-ADOT\_PDF\_HALF\_PLT  
 NFRa-ADOT\_STRUCT\_TBL  
 SURVEY NO.

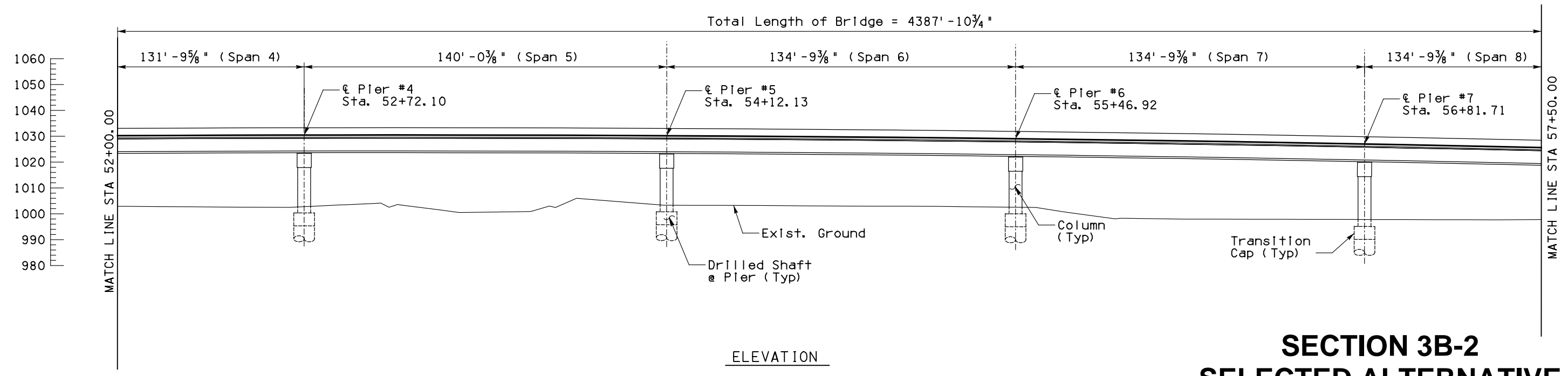
DATE- LOCATION- REVISIONS- FINISHED PLANS- SURVEY NO. DATE- REVISIONS- FINISHED PLANS- SURVEY NO.

F.H.W.A. REGION	STATE	PROJECT NO.	SHEET NO.	TOTAL SHEETS	RECORD DRAWING
9	ARIZ.				

030 MA 000



**PLAN**  
 12-Span AASTO Type Super VI Girder Bridge  
 17-Span Continuous Steel Girder Bridge  
 Scale: 1" = 20'-0"  
 Skew = Varies



**ELEVATION**

## SECTION 3B-2 SELECTED ALTERNATIVE

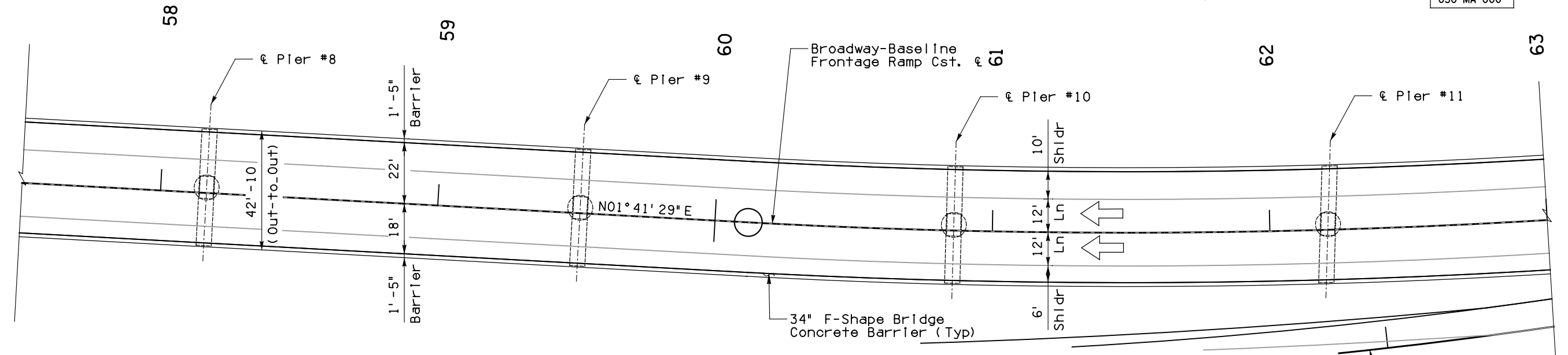
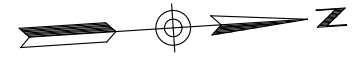
DESIGN	Y PATEL	DATE	05/18	ARIZONA DEPARTMENT OF TRANSPORTATION INFRASTRUCTURE DELIVERY AND OPERATIONS DIVISION <b>BRIDGE GROUP</b>	<b>L/DCR</b> Review NOT FOR CONSTRUCTION OR RECORDING
DRAWN	A MOTHUKURI	DATE	05/18		
CHECKED	S KAYAT	DATE	05/18		
NFra Inc. a transportation engineering firm 77 East Thomas Road, Suite 200 Phoenix, Arizona 85012		LOCATION		SR 30, SR 303L TO SR 202L	
SR 30	ROUTE	MILEPOST	STRUCTURE NO.	DWG NO S-03.49	
TRACS NO.				OF	

NFRA-ADOT\_PDF\_HALF.PLT  
NFRA-ADOT\_STRUCT.TBL

DATE: \_\_\_\_\_ LOCATION: \_\_\_\_\_ REVISIONS: \_\_\_\_\_ FINISHED PLANS: \_\_\_\_\_ SURVEY NO. \_\_\_\_\_

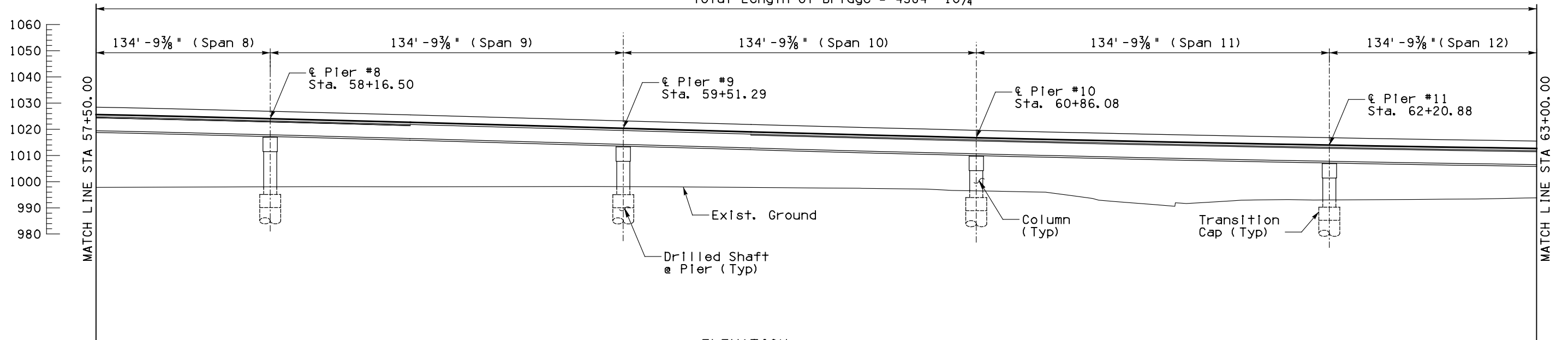
F.H.W.A. REGION	STATE	PROJECT NO.	SHEET NO.	TOTAL SHEETS	RECORD DRAWING
9	ARIZ.				

030 MA 000



**PLAN**  
 12-Span AASHTO Type Super VI Girder Bridge  
 17-Span Continuous Steel Girder Bridge  
 Scale: 1" = 20'-0"  
 Skew = Varies

Total Length of Bridge = 4384'-10<sup>3</sup>/<sub>4</sub>"



**ELEVATION**

## SECTION 3B-2 SELECTED ALTERNATIVE

DESIGN	NAME	DATE	ARIZONA DEPARTMENT OF TRANSPORTATION INFRASTRUCTURE DELIVERY AND OPERATIONS DIVISION <b>BRIDGE GROUP</b>	<b>L/DCR</b> Review NOT FOR CONSTRUCTION OR RECORDING
DRAWN	Y PATEL	05/18		
CHECKED	A MOTHUKURI	05/18		
	S KAYAT	05/18	<b>BROADWAY - BASELINE FRONTAGE RAMP</b>	
SR 30	NFra Inc. <small>a transportation engineering firm</small> 77 East Thomas Road, Suite 200 Phoenix, Arizona 85012		LOCATION	
ROUTE		STRUCTURE NO.	SR 30, SR 303L TO SR 202L	DWG NO S-03.50
TRACS NO.				OF

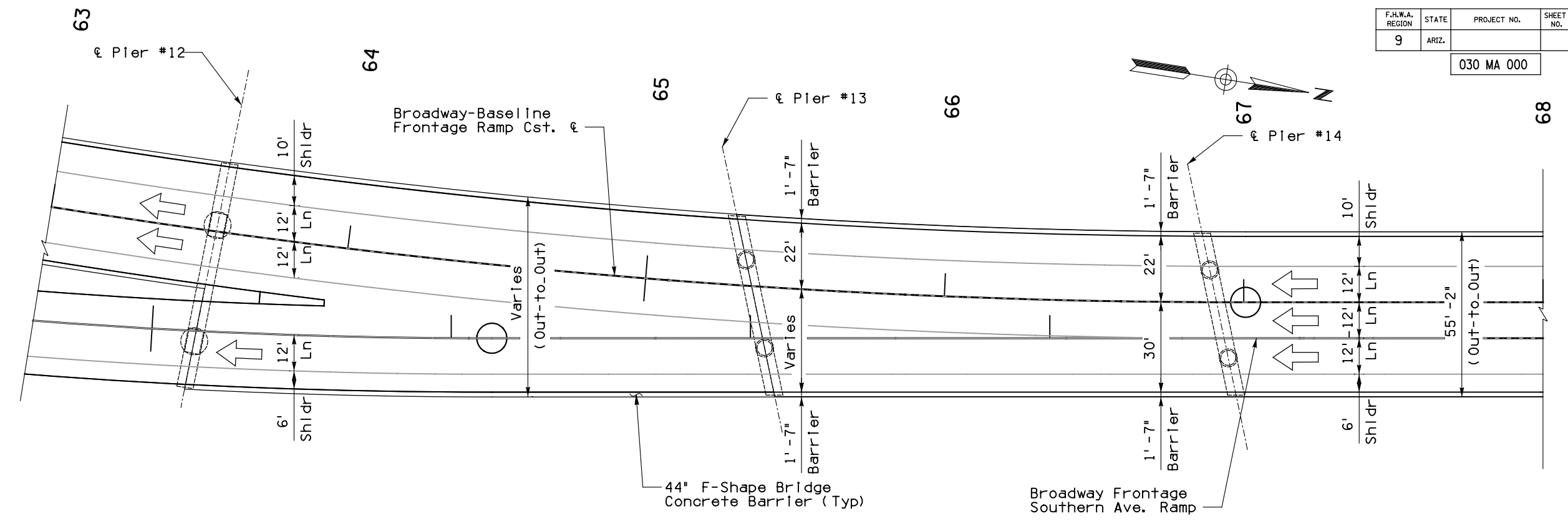
NFRA-ADOT\_PDF\_HALF.PLT  
NFRA-ADOT\_STRUCTURE.TBL

DATE- LOCATION- REVISIONS- FINISHED PLANS- SURVEY NO. DATE- LOCATION- REVISIONS- FINISHED PLANS- SURVEY NO.

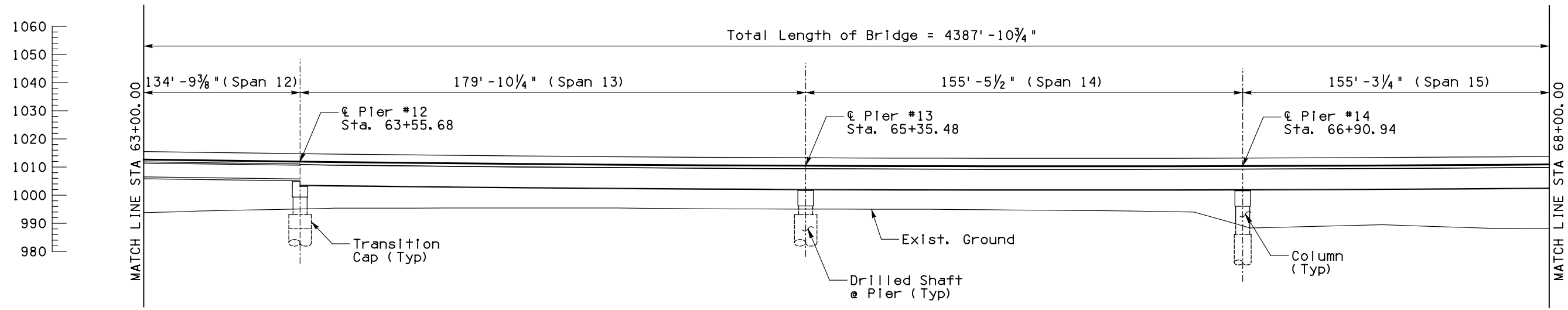


F.H.W.A. REGION	STATE	PROJECT NO.	SHEET NO.	TOTAL SHEETS	RECORD DRAWING
9	ARIZ.				

030 MA 000



**PLAN**  
 12-Span AAHSTO Type Super VI Girder Bridge  
 17-Span Continuous Steel Girder Bridge  
 Scale: 1" = 20'-0"  
 Skew = Varies



**ELEVATION**

# SECTION 3B-2 SELECTED ALTERNATIVE

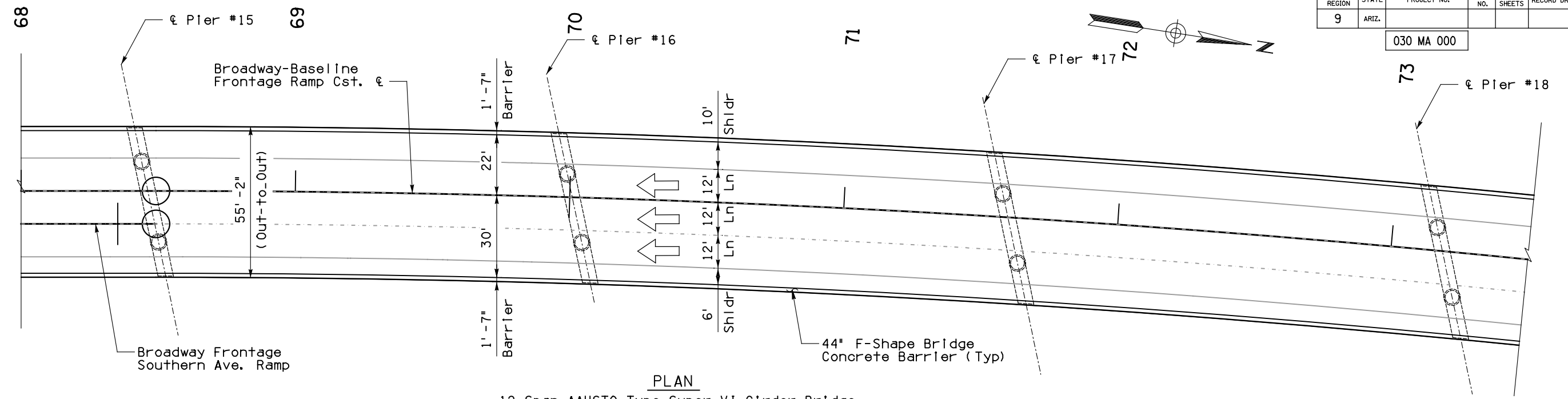
DESIGN	Y PATEL	DATE	05/18	ARIZONA DEPARTMENT OF TRANSPORTATION INFRASTRUCTURE DELIVERY AND OPERATIONS DIVISION <b>BRIDGE GROUP</b>	<b>L/DCR</b> Review NOT FOR CONSTRUCTION OR RECORDING
DRAWN	A MOTHUKURI	DATE	05/18		
CHECKED	S KAYAT	DATE	05/18		
NFra Inc. a transportation engineering firm 77 East Thomas Road, Suite 200 Phoenix, Arizona 85012		LOCATION		SR 30, SR 303L TO SR 202L	
SR 30	ROUTE	STRUCTURE NO.		DWG NO	S-03.51
TRACS NO.				OF	

NFRA-ADOT\_PDF\_HALF.PLT  
NFRA-ADOT\_STRUCT.TBL

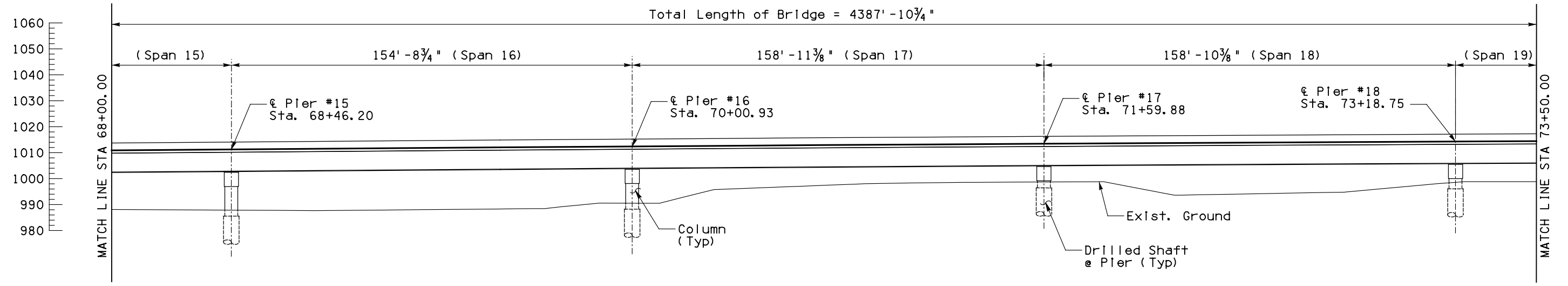
DATE: \_\_\_\_\_ LOCATION: \_\_\_\_\_ REVISIONS: \_\_\_\_\_ FINISHED PLANS: \_\_\_\_\_ SURVEY NO. \_\_\_\_\_ DATE: \_\_\_\_\_ LOCATION: \_\_\_\_\_ REVISIONS: \_\_\_\_\_ FINISHED PLANS: \_\_\_\_\_ SURVEY NO. \_\_\_\_\_

F.H.W.A. REGION	STATE	PROJECT NO.	SHEET NO.	TOTAL SHEETS	RECORD DRAWING
9	ARIZ.				

030 MA 000



**PLAN**  
 12-Span AAHSTO Type Super VI Girder Bridge  
 17-Span Continuous Steel Girder Bridge  
 Scale: 1" = 20'-0"  
 Skew = Varies



**ELEVATION**

## SECTION 3B-2 SELECTED ALTERNATIVE

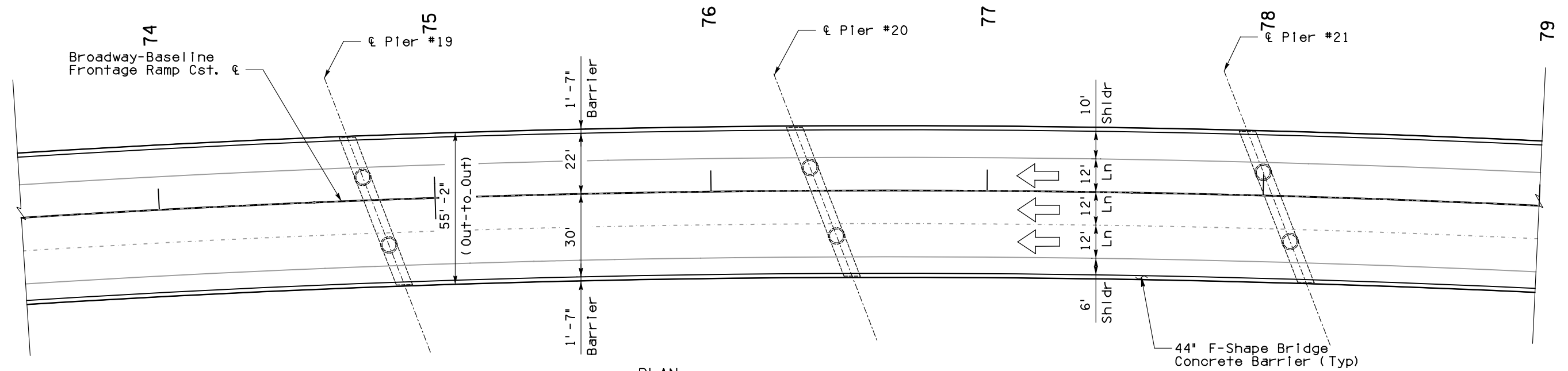
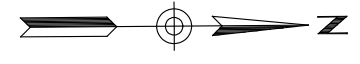
DESIGN	Y PATEL	DATE	05/18	ARIZONA DEPARTMENT OF TRANSPORTATION INFRASTRUCTURE DELIVERY AND OPERATIONS DIVISION <b>BRIDGE GROUP</b>	<b>L/DCR</b> Review NOT FOR CONSTRUCTION OR RECORDING
DRAWN	A MOTHUKURI	DATE	05/18		
CHECKED	S KAYAT	DATE	05/18		
NFra Inc. <small>a transportation engineering firm</small> 77 East Thomas Road, Suite 200 Phoenix, Arizona 85012		<b>BROADWAY - BASELINE          FRONTAGE RAMP</b>		LOCATION <b>SR 30, SR 303L TO SR 202L</b>	DWG NO S-03.52 OF
SR 30	ROUTE	MILEPOST	STRUCTURE NO.		
TRACS NO.					

NFRA-ADOT\_PDF\_HALF.PLT  
 NFRA-ADOT\_STRUCTURE.TBL

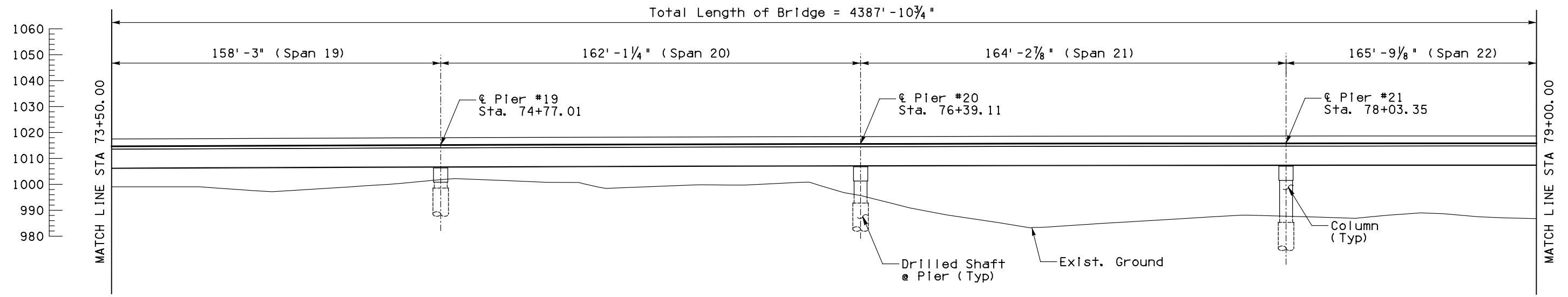
SURVEY NO. FINISHED PLANS DATE REVISIONS LOCATION DATE FINISHED PLANS SURVEY NO. DATE REVISIONS LOCATION DATE

F.H.W.A. REGION	STATE	PROJECT NO.	SHEET NO.	TOTAL SHEETS	RECORD DRAWING
9	ARIZ.				

030 MA 000



**PLAN**  
 12-Span AASHTO Type Super VI Girder Bridge  
 17-Span Continuous Steel Girder Bridge  
 Scale: 1" = 20'-0"  
 Skew = Varies



**ELEVATION**

# SECTION 3B-2 SELECTED ALTERNATIVE

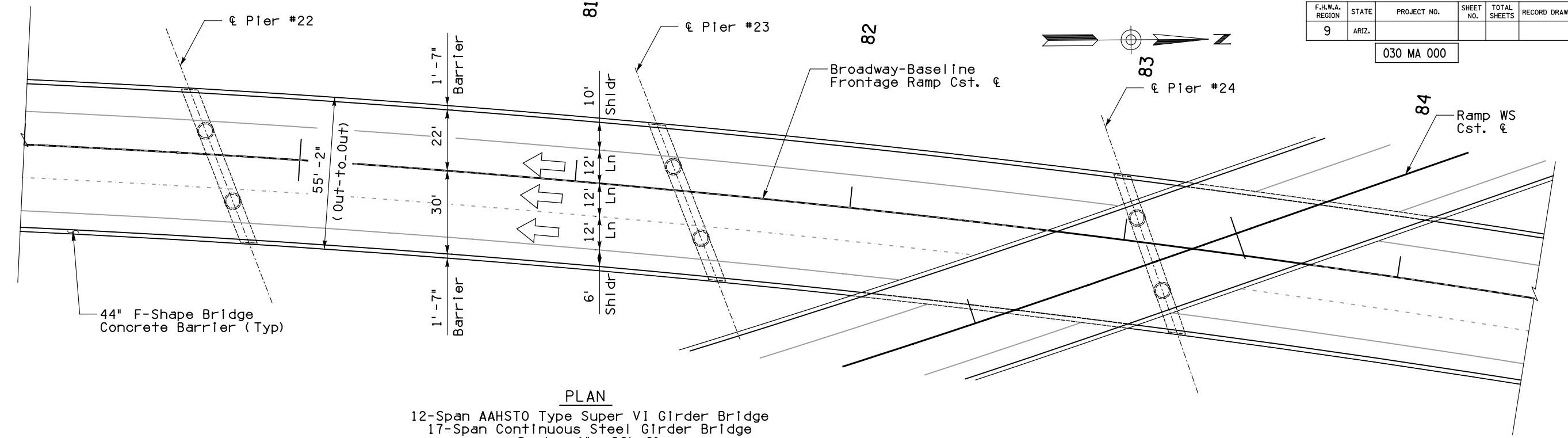
DESIGN	Y PATEL	DATE	05/18	ARIZONA DEPARTMENT OF TRANSPORTATION INFRASTRUCTURE DELIVERY AND OPERATIONS DIVISION <b>BRIDGE GROUP</b>	<b>L/DCR</b> Review NOT FOR CONSTRUCTION OR RECORDING
DRAWN	A MOTHUKURI	DATE	05/18		
CHECKED	S KAYAT	DATE	05/18		
NFra Inc. <i>a transportation engineering firm</i> 77 East Thomas Road, Suite 200 Phoenix, Arizona 85012			BROADWAY - BASELINE FRONTAGE RAMP		DWG NO S-03.53
SR 30	ROUTE	LOCATION	SR 30, SR 303L TO SR 202L		
TRACS NO.				OF	

NFRA-ADOT\_PDF\_HALF\_PLT  
 NFRA-ADOT\_STRUCT\_TBL

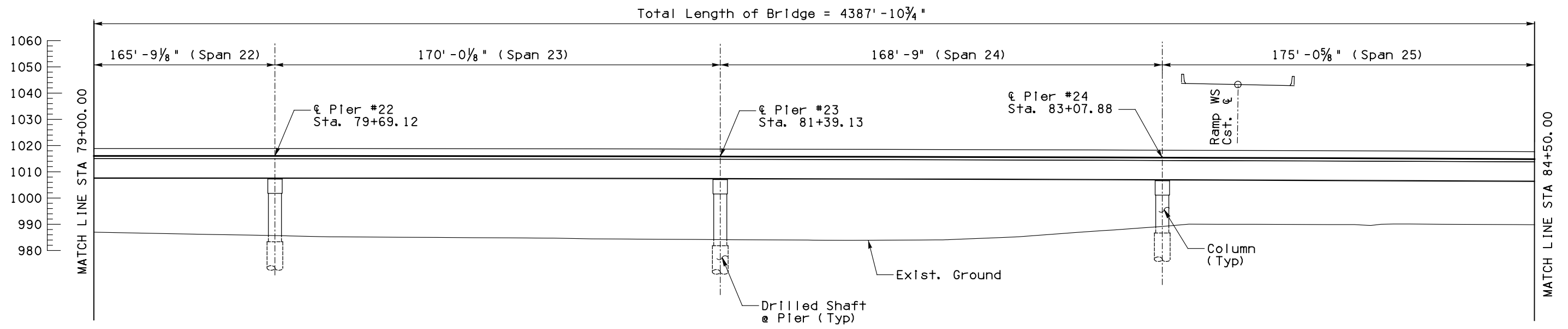
DATE: \_\_\_\_\_ REVISIONS: \_\_\_\_\_ FINISHED PLANS: \_\_\_\_\_ SURVEY NO. \_\_\_\_\_

F.H.W.A. REGION	STATE	PROJECT NO.	SHEET NO.	TOTAL SHEETS	RECORD DRAWING
9	ARIZ.				

030 MA 000



**PLAN**  
 12-Span AAHSTO Type Super VI Girder Bridge  
 17-Span Continuous Steel Girder Bridge  
 Scale: 1" = 20'-0"  
 Skew = Varies



**ELEVATION**

**SECTION 3B-2  
 SELECTED ALTERNATIVE**

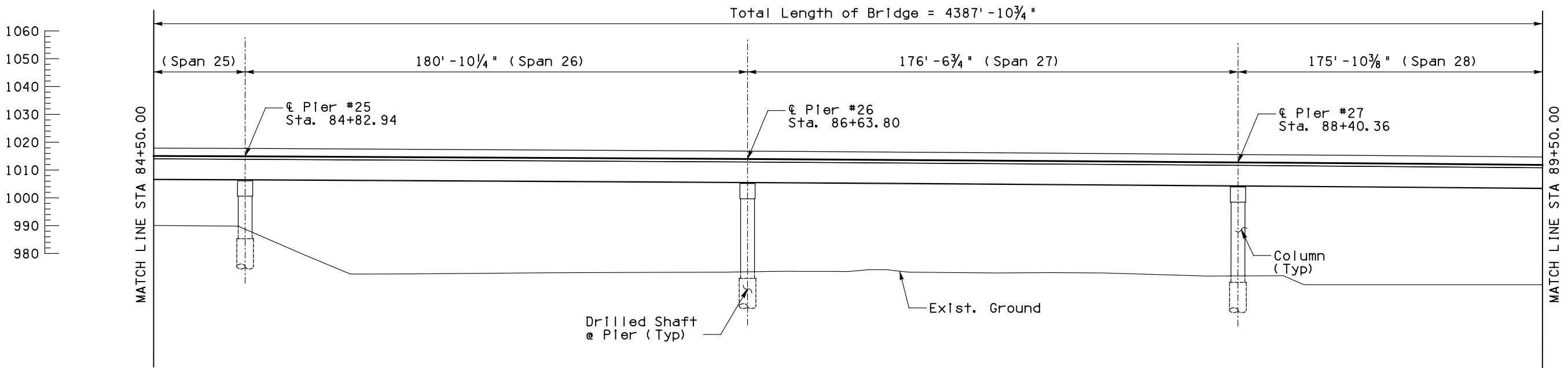
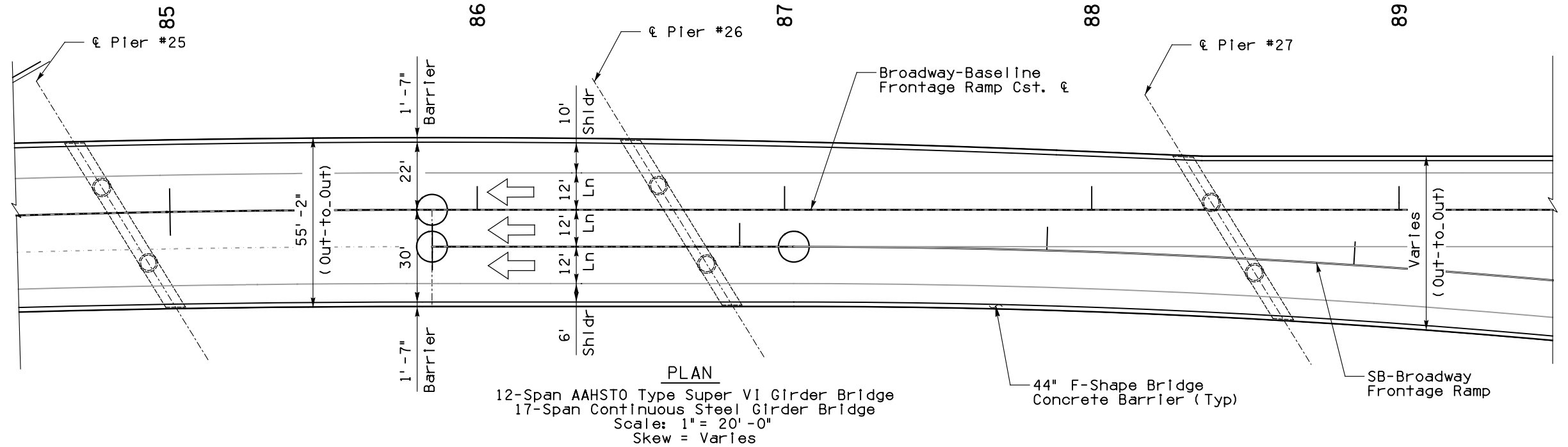
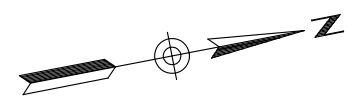
DESIGN	Y PATEL	DATE	05/18	ARIZONA DEPARTMENT OF TRANSPORTATION INFRASTRUCTURE DELIVERY AND OPERATIONS DIVISION <b>BRIDGE GROUP</b>	<b>L/DCR</b> Review NOT FOR CONSTRUCTION OR RECORDING
DRAWN	A MOTHUKURI	DATE	05/18		
CHECKED	S KAYAT	DATE	05/18		
NFra Inc. a transportation engineering firm 77 East Thomas Road, Suite 200 Phoenix, Arizona 85012			<b>BROADWAY - BASELINE          FRONTAGE RAMP</b>		LOCATION SR 30, SR 303L TO SR 202L DWG NO S-03.54
SR 30	ROUTE	MILEPOST	STRUCTURE NO.	TRACS NO.	

NFRA-ADOT\_PDF\_HALF.PLT  
 NFRA-ADOT\_STRUCT.TBL  
 SURVEY NO.

DATE- LOCATION- REVISIONS- FINISHED PLANS- SURVEY NO. DATE- LOCATION- REVISIONS- FINISHED PLANS- SURVEY NO.

F.H.W.A. REGION	STATE	PROJECT NO.	SHEET NO.	TOTAL SHEETS	RECORD DRAWING
9	ARIZ.				

030 MA 000



# SECTION 3B-2 SELECTED ALTERNATIVE

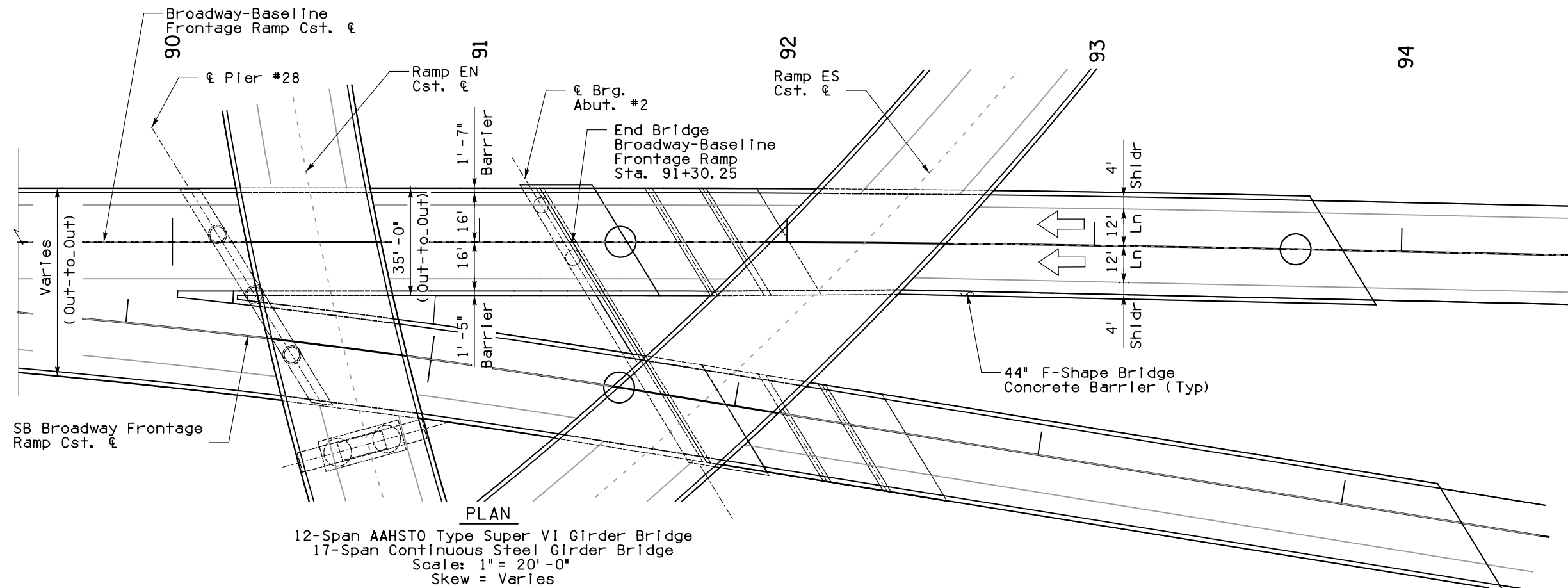
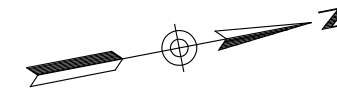
DESIGN	Y PATEL	DATE	05/18	ARIZONA DEPARTMENT OF TRANSPORTATION INFRASTRUCTURE DELIVERY AND OPERATIONS DIVISION <b>BRIDGE GROUP</b>	<b>L/DCR</b> Review NOT FOR CONSTRUCTION OR RECORDING
DRAWN	A MOTHUKURI	DATE	05/18		
CHECKED	S KAYAT	DATE	05/18		
NFra Inc. a transportation engineering firm 77 East Thomas Road, Suite 200 Phoenix, Arizona 85012		LOCATION		SR 30, SR 303L TO SR 202L	
SR 30	ROUTE	MILEPOST	STRUCTURE NO.	DWG NO S-03.55	
TRACS NO.				OF	

NFRA-ADOT\_PDF\_HALF.PLT  
NFRA-ADOT\_STRUCT.TBL

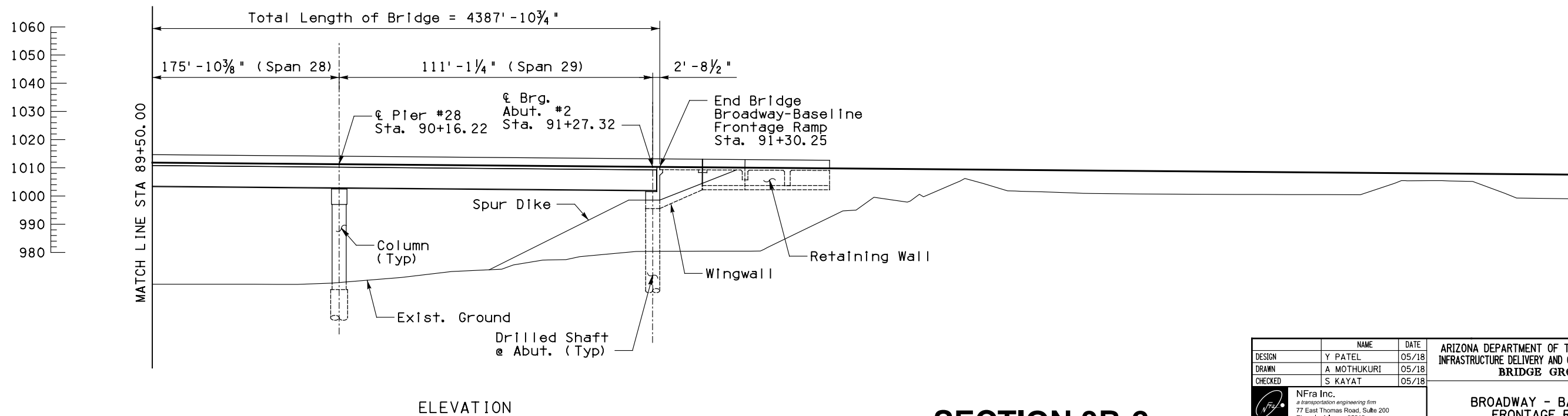
DATE: \_\_\_\_\_ LOCATION: \_\_\_\_\_ REVISIONS: \_\_\_\_\_ FINISHED PLANS: \_\_\_\_\_ SURVEY NO. \_\_\_\_\_ DATE: \_\_\_\_\_ LOCATION: \_\_\_\_\_ REVISIONS: \_\_\_\_\_ FINISHED PLANS: \_\_\_\_\_ SURVEY NO. \_\_\_\_\_

F.H.W.A. REGION	STATE	PROJECT NO.	SHEET NO.	TOTAL SHEETS	RECORD DRAWING
9	ARIZ.				

030 MA 000



12-Span AAHST0 Type Super VI Girder Bridge  
 17-Span Continuous Steel Girder Bridge  
 Scale: 1" = 20'-0"  
 Skew = Varies



ELEVATION

# SECTION 3B-2 SELECTED ALTERNATIVE

DESIGN	Y PATEL	DATE	05/18	ARIZONA DEPARTMENT OF TRANSPORTATION INFRASTRUCTURE DELIVERY AND OPERATIONS DIVISION <b>BRIDGE GROUP</b>	<b>L/DCR</b> Review NOT FOR CONSTRUCTION OR RECORDING
DRAWN	A MOTHUKURI	DATE	05/18		
CHECKED	S KAYAT	DATE	05/18		
NFra Inc. <small>a transportation engineering firm</small> 77 East Thomas Road, Suite 200 Phoenix, Arizona 85012		LOCATION		SR 30, SR 303L TO SR 202L	
SR 30	ROUTE	STRUCTURE NO.		DWG NO	S-03.56
TRACS NO.				OF	

NFRA-ADOT\_PDF\_HALF\_PLT  
 NFRA-ADOT\_STRUCTURE\_TBL

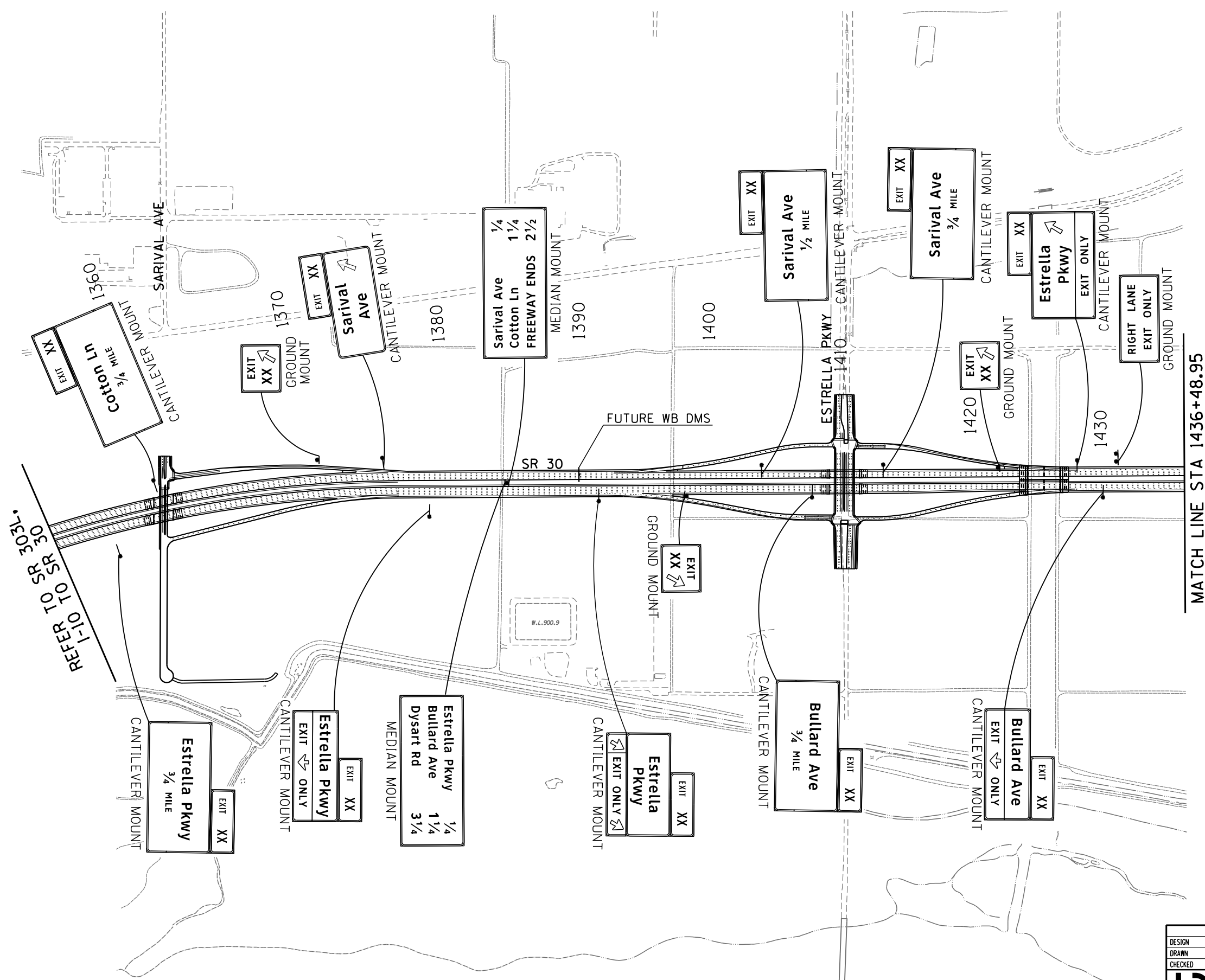
DATE: \_\_\_\_\_ LOCATION: \_\_\_\_\_ REVISIONS: \_\_\_\_\_ FINISHED PLANS: \_\_\_\_\_ SURVEY NO. \_\_\_\_\_ DATE: \_\_\_\_\_ LOCATION: \_\_\_\_\_ REVISIONS: \_\_\_\_\_ FINISHED PLANS: \_\_\_\_\_ SURVEY NO. \_\_\_\_\_

F.H.W.A. REGION	STATE	PROJECT NO.	SHEET NO.	TOTAL SHEETS	RECORD DRAWING
9	ARIZ.				

030 MA 000



FILE NAME: c:\pwworking\phx\0417076\GS68761DCR01.dgn PLOT DATE: Jun, 13, 2019 TIME: 10:47:12 AM PLOT SCALE: 1:800 PLOT BY: AHOFFMAN



SEE SECTION 2H

DESIGN	SD	DATE	06/19	ARIZONA DEPARTMENT OF TRANSPORTATION INTERMODAL TRANSPORTATION DIVISION TRAFFIC DESIGN SERVICES	<b>LDCR</b> Review NOT FOR CONSTRUCTION OR RECORDING DWG NO T-01.01
DRAWN	CADD	DATE	06/19		
CHECKED	JNR	DATE	06/19		
<b>HR</b>		<small>HDR, INC. 3200 E. CAMELBACK ROAD SUITE 300 PHOENIX, AZ 85018-2311 TEL (602) 922-7700</small>		<b>GUIDE SIGNING PLAN</b> <b>STA 1350+00 TO 1436+48.95</b> <b>SECTION 1</b>	
ROUTE	SR 30	LOCATION	SR 30, SR 303L TO SR 202L	TRACS NO. H6876 OIL	

**SECTION 1**  
**SELECTED ALTERNATIVE**

Call BLUE STAKE CENTER two working days before you dig.  
**602-263-1100**  
Within Maricopa County  
OR  
**1-800-STAKE-IT**  
(782-5348)

PLOT BY: AHOFFMAN

PLOT SCALE: 1:800

PLOT DATE: Jun, 13, 2019

TIME: 10:47:32 AM

FILE NAME: c:\pwworking\phx\0417076\GS6876\DCR01H.dgn

REVISIONS: FINISHED PLANS

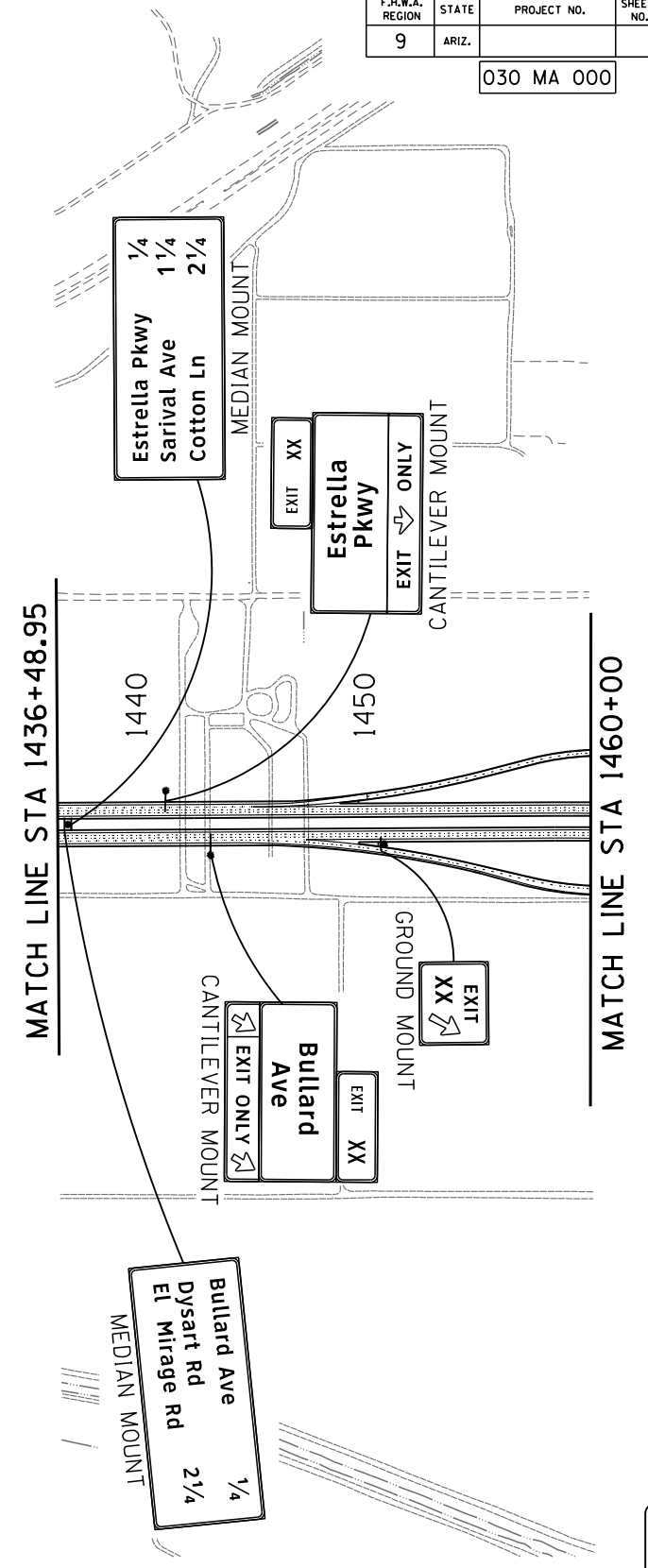
DATE: LOCATION: SURVEY NO.

F.H.W.A. REGION	STATE	PROJECT NO.	SHEET NO.	TOTAL SHEETS	RECORD DRAWING
9	ARIZ.				

030 MA 000



SEE SECTION 1



# SECTION 2H SELECTED ALTERNATIVE

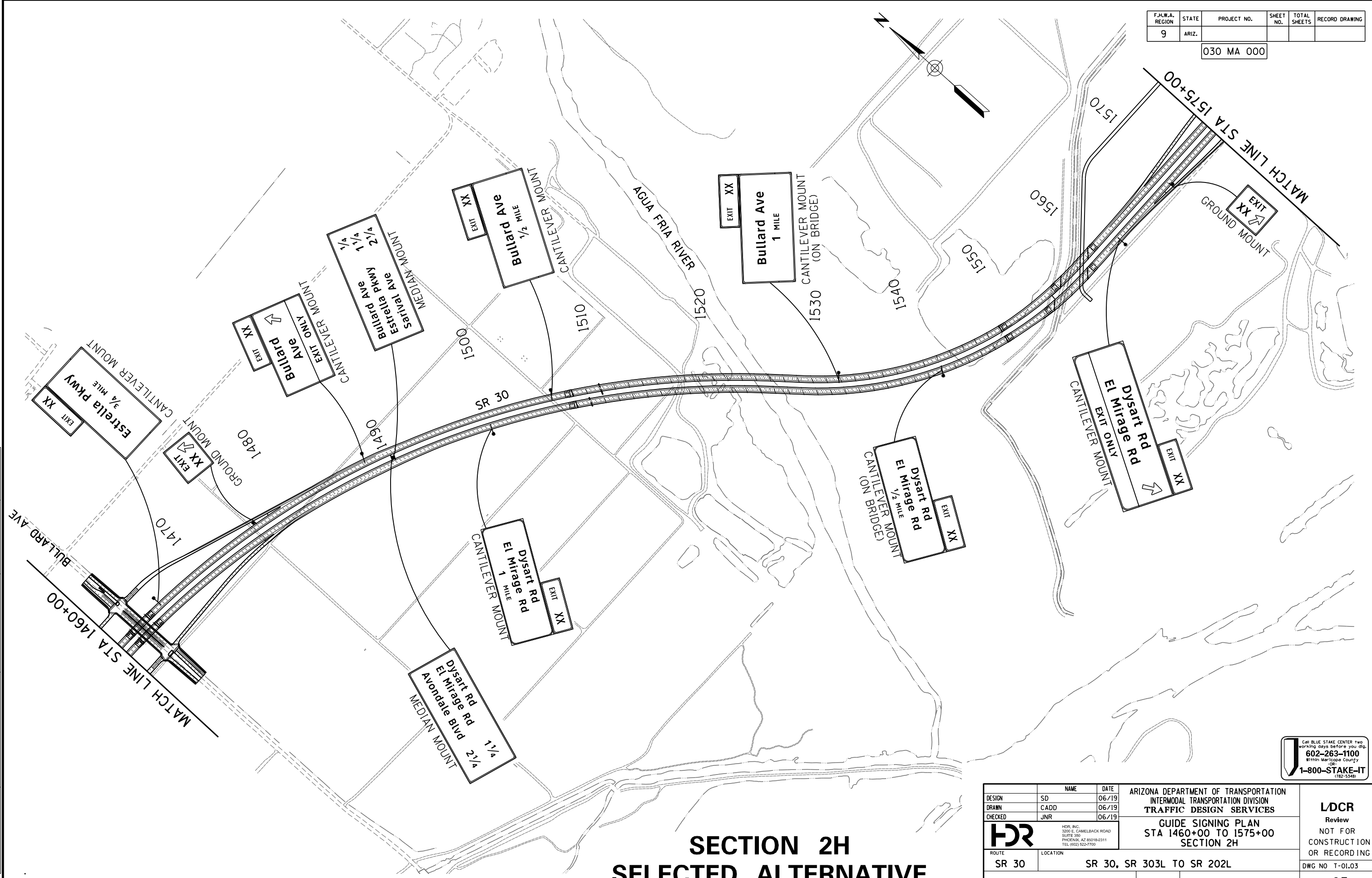
DESIGN	SD	DATE	06/19	ARIZONA DEPARTMENT OF TRANSPORTATION INTERMODAL TRANSPORTATION DIVISION TRAFFIC DESIGN SERVICES	LDCR Review NOT FOR CONSTRUCTION OR RECORDING DWG NO T-01.02
DRAWN	CADD	DATE	06/19		
CHECKED	JNR	DATE	06/19		
		<small>HDR, INC. 3200 E. CAMELBACK ROAD SUITE 300 PHOENIX, AZ 85018-2311 TEL (602) 922-7700</small>		<b>GUIDE SIGNING PLAN</b> <b>STA 1436+48.95 TO 1460+00</b> <b>SECTION 2H</b>	
ROUTE	SR 30	LOCATION	SR 30, SR 303L TO SR 202L		
TRACS NO.	H6876 OIL			OF	

Call BLUE STAKE CENTER two working days before you dig.  
**602-263-1100**  
 Within Maricopa County  
 OR  
**1-800-STAKE-IT**  
 (782-5348)



F.H.W.A. REGION	STATE	PROJECT NO.	SHEET NO.	TOTAL SHEETS	RECORD DRAWING
9	ARIZ.				

030 MA 000



FILE NAME: c:\pwworking\phx\0417076\G56876\DCR02H.dgn PLOT DATE: Jun, 13, 2019 TIME: 10:47:51 AM PLOT SCALE: 1:800.001 PLOT BY: AHOFFMAN  
 SURVEY NO. FINISHED PLANS REVISIONS- DATE- LOCATION-

## SECTION 2H SELECTED ALTERNATIVE

DESIGN	SD	DATE	06/19
DRAWN	CADD	DATE	06/19
CHECKED	JNR	DATE	06/19

ARIZONA DEPARTMENT OF TRANSPORTATION  
 INTERMODAL TRANSPORTATION DIVISION  
**TRAFFIC DESIGN SERVICES**

**GUIDE SIGNING PLAN**  
 STA 1460+00 TO 1575+00  
 SECTION 2H

**LDCR**  
 Review  
 NOT FOR  
 CONSTRUCTION  
 OR RECORDING  
 DWG NO T-01.03  
 OF



HDR, INC.  
 3300 E. CAMELBACK ROAD  
 SUITE 300  
 PHOENIX, AZ 85018-2311  
 TEL (602) 922-7700

ROUTE: SR 30 LOCATION: SR 30, SR 303L TO SR 202L

TRACS NO. H6876 OIL

Call BLUE STAKE CENTER two working days before you dig.  
**602-263-1100**  
 Within Maricopa County  
 ☎  
**1-800-STAKE-IT**  
 (782-5348)

PLOT BY: AHOFFMAN

PLOT SCALE: 1:800

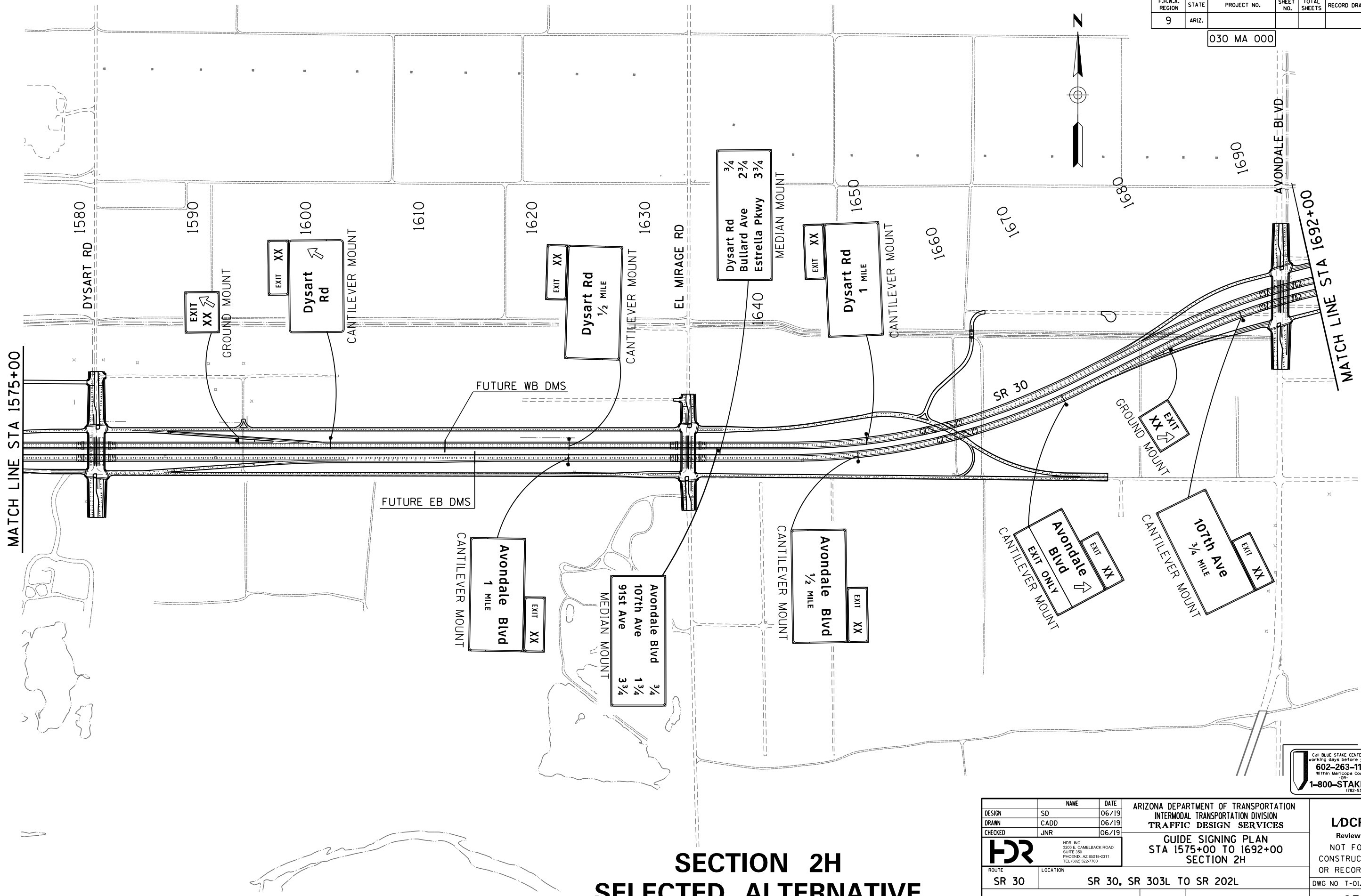
PLOT DATE: Jun, 13, 2019 TIME: 10:48:12 AM

FILE NAME: c:\pwworking\phx\d0417076\GS68761DCR03H.dgn

DATE: LOCATION: REVISIONS: FINISHED PLANS: SURVEY NO.

F.H.W.A. REGION	STATE	PROJECT NO.	SHEET NO.	TOTAL SHEETS	RECORD DRAWING
9	ARIZ.				

030 MA 000



# SECTION 2H SELECTED ALTERNATIVE

DESIGN	SD	DATE	06/19	ARIZONA DEPARTMENT OF TRANSPORTATION INTERMODAL TRANSPORTATION DIVISION TRAFFIC DESIGN SERVICES	<b>LDCR</b> Review NOT FOR CONSTRUCTION OR RECORDING DWG NO T-01.04
DRAWN	CADD	DATE	06/19		
CHECKED	JNR	DATE	06/19		
<b>HDR</b>		HDR, INC. 3200 E. CAMELBACK ROAD SUITE 300 PHOENIX, AZ 85018-2311 TEL (602) 922-7700		GUIDE SIGNING PLAN STA 1575+00 TO 1692+00 SECTION 2H	
ROUTE	SR 30	LOCATION	SR 30, SR 303L TO SR 202L		
TRACS NO.	H6876 OIL				

Call BLUE STAKE CENTER two working days before you dig.  
602-263-1100  
Within Maricopa County  
OR  
1-800-STAKE-IT  
(782-5348)

PLOT BY: AHOFFMAN

PLOT SCALE: 1:800

PLOT DATE: Jun, 13, 2019

TIME: 10:48:32 AM

LOCATION: FINISHED PLANS

REVISIONS:

DATE:

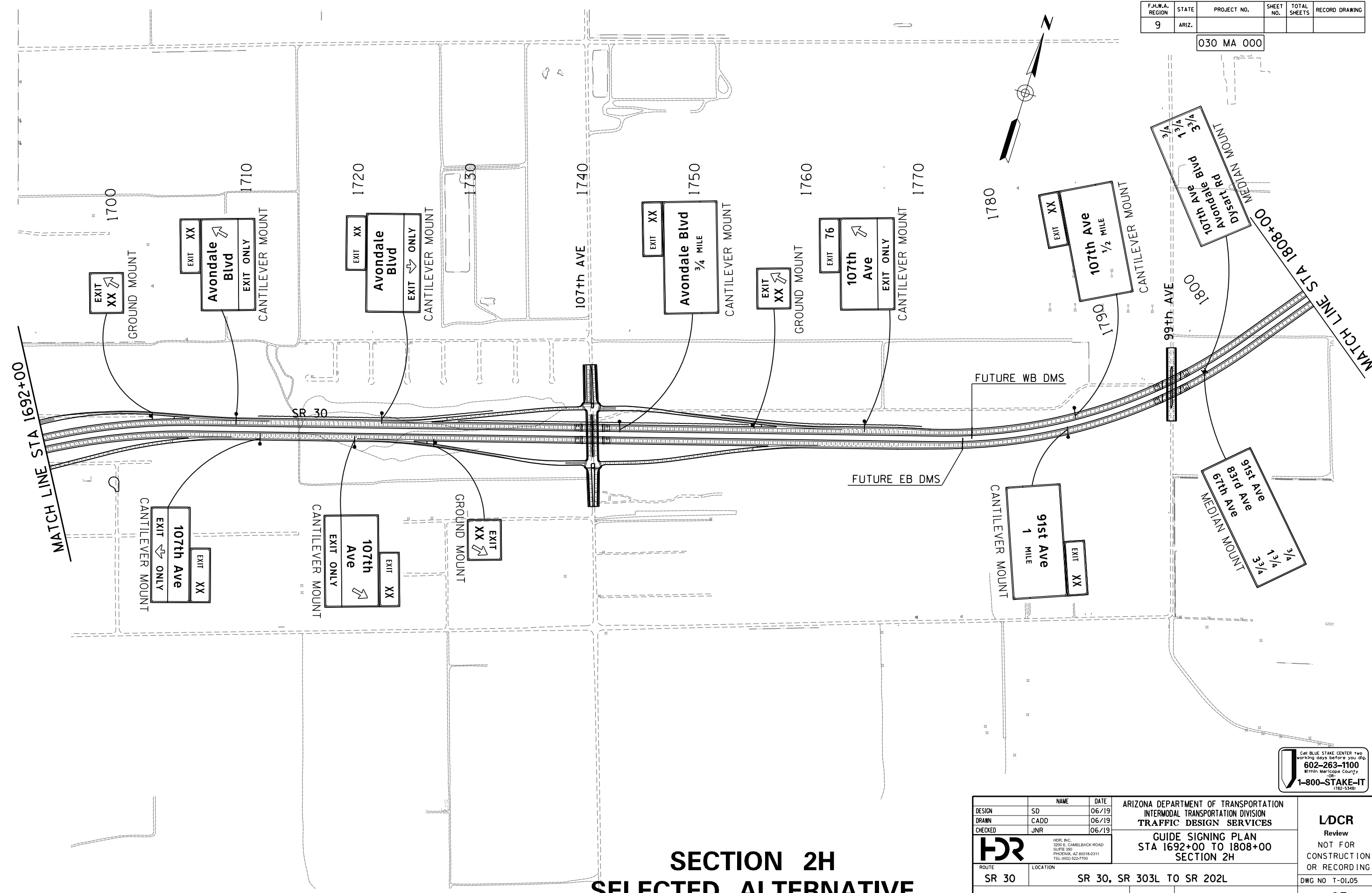
FILE NAME: c:\pwworking\phx\0417076\G56876\IDCR04H.dgn

10:48:32 AM

c:\pwworking\phx\0417076\G56876\IDCR04H.dgn

F.H.W.A. REGION	STATE	PROJECT NO.	SHEET NO.	TOTAL SHEETS	RECORD DRAWING
9	ARIZ.				

030 MA 000



# SECTION 2H SELECTED ALTERNATIVE

DESIGN	NAME	DATE
SD		06/19
CADD		06/19
JNR		06/19

ARIZONA DEPARTMENT OF TRANSPORTATION  
INTERMODAL TRANSPORTATION DIVISION  
TRAFFIC DESIGN SERVICES

**GUIDE SIGNING PLAN  
STA 1692+00 TO 1808+00  
SECTION 2H**

**LDCR**  
Review  
NOT FOR  
CONSTRUCTION  
OR RECORDING

DWG NO T-01.05  
OF

ROUTE: SR 30 LOCATION: SR 30, SR 303L TO SR 202L

TRACS NO. H6876 OIL

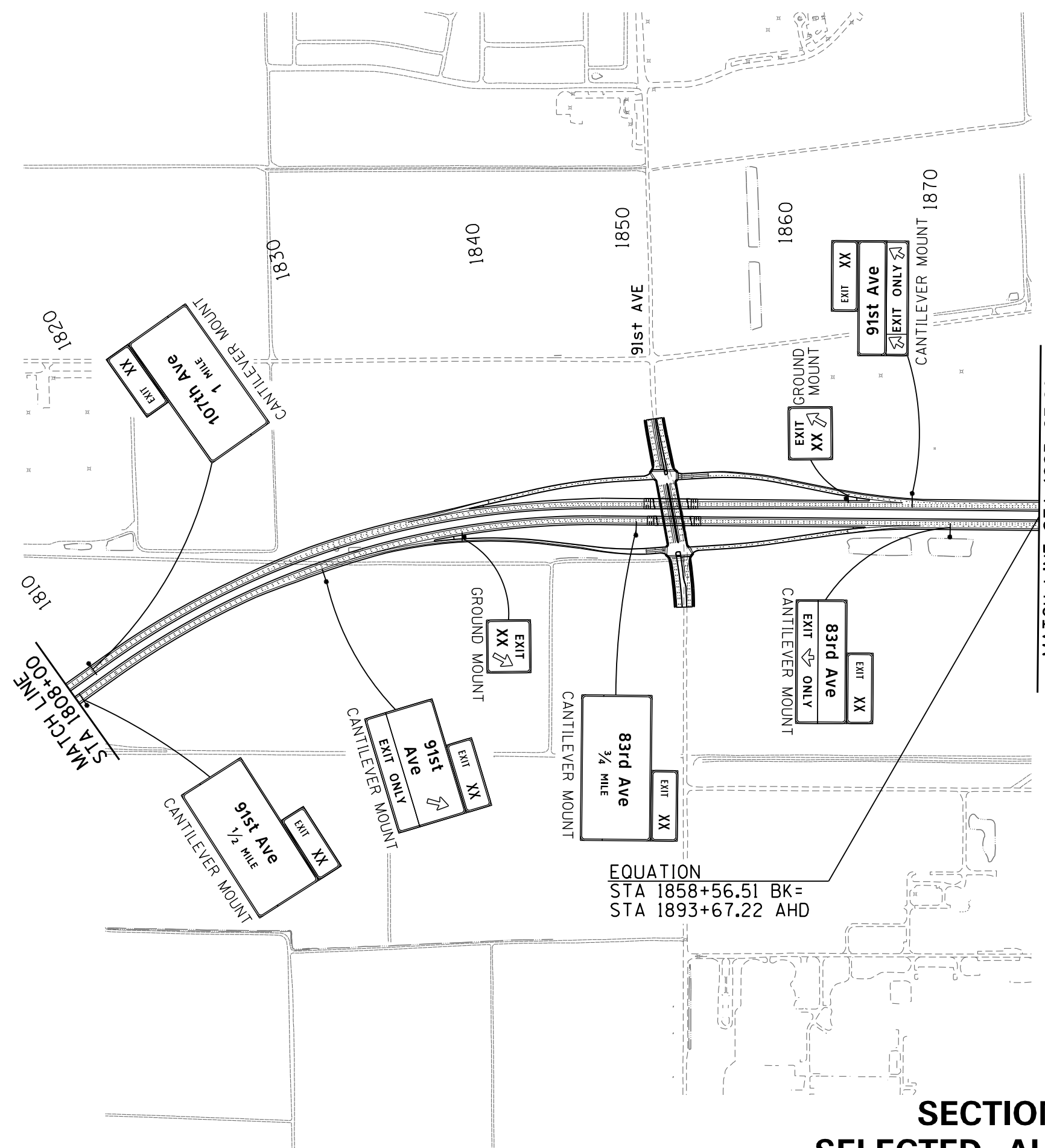
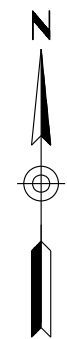
Call BLUE STAKE CENTER two working days before you dig.  
**602-263-1100**  
Within Maricopa County  
**1-800-STAKE-IT**  
(762-5348)

FILE NAME: c:\pwworking\phx\0417076\GS6876\DCR05H.dgn PLOT DATE: Jun, 13, 2019 TIME: 10:48:51 AM PLOT SCALE: 1:800 PLOT BY: AHOFFMAN

REVISIONS: SURVEY NO. FINISHED PLANS DATE

F.H.W.A. REGION	STATE	PROJECT NO.	SHEET NO.	TOTAL SHEETS	RECORD DRAWING
9	ARIZ.				

030 MA 000



SEE SECTION 3-B

EQUATION  
 STA 1858+56.51 BK=  
 STA 1893+67.22 AHD

# SECTION 2H SELECTED ALTERNATIVE

Call BLUE STAKE CENTER two working days before you dig.  
 602-263-1100  
 Within Maricopa County  
 1-800-STAKE-IT  
 (782-5348)

DESIGN	SD	DATE	06/19	ARIZONA DEPARTMENT OF TRANSPORTATION INTERMODAL TRANSPORTATION DIVISION <b>TRAFFIC DESIGN SERVICES</b>	<b>LDCR</b> Review NOT FOR CONSTRUCTION OR RECORDING
DRAWN	CADD	DATE	06/19		
CHECKED	JNR	DATE	06/19		
<b>HDR</b>		HDR, INC. 3200 E. CAMELBACK ROAD SUITE 300 PHOENIX, AZ 85018-2311 TEL (602) 922-7700		GUIDE SIGNING PLAN STA 1808+00 TO 1893+67.22 SECTION 2H	
ROUTE	SR 30	LOCATION	SR 30, SR 303L TO SR 202L	DWG NO T-01.06	
TRACS NO.	H6876 OIL	OF			

PLOT BY: AHOFFMAN

PLOT SCALE: 1:800

DATE: 10:49:11 AM

LOCATION: 030 MA 000

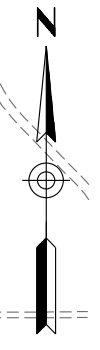
REVISIONS:

FINISHED PLANS:

FILE NAME: c:\pwworking\phx\d0417076\G56876\DCR01\_3B-2.dgn

F.H.W.A. REGION	STATE	PROJECT NO.	SHEET NO.	TOTAL SHEETS	RECORD DRAWING
9	ARIZ.				

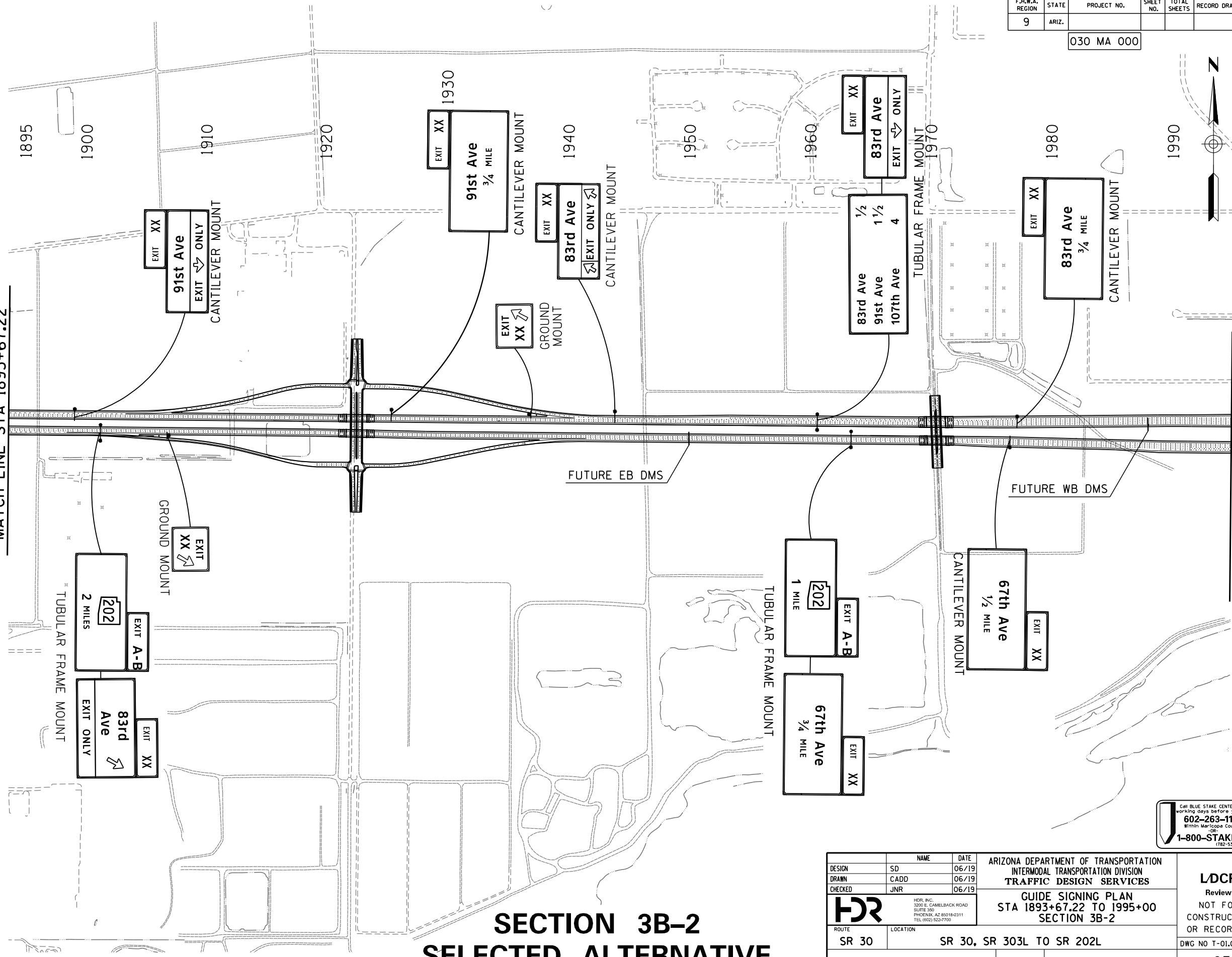
030 MA 000



SEE SECTION 2H

MATCH LINE STA 1893+67.22

MATCH LINE STA 1995+00



# SECTION 3B-2 SELECTED ALTERNATIVE

DESIGN	SD	DATE	06/19
DRAWN	CADD	DATE	06/19
CHECKED	JNR	DATE	06/19

ARIZONA DEPARTMENT OF TRANSPORTATION  
INTERMODAL TRANSPORTATION DIVISION  
TRAFFIC DESIGN SERVICES

GUIDE SIGNING PLAN  
STA 1893+67.22 TO 1995+00  
SECTION 3B-2

**LDCR**  
Review  
NOT FOR  
CONSTRUCTION  
OR RECORDING  
DWG NO T-01.07  
OF

ROUTE: SR 30  
LOCATION: SR 30, SR 303L TO SR 202L  
TRACS NO.: H6876 OIL

Call BLUE STAKE CENTER two working days before you dig.  
602-263-1100  
Within Maricopa County  
1-800-STAKE-IT  
(782-5348)

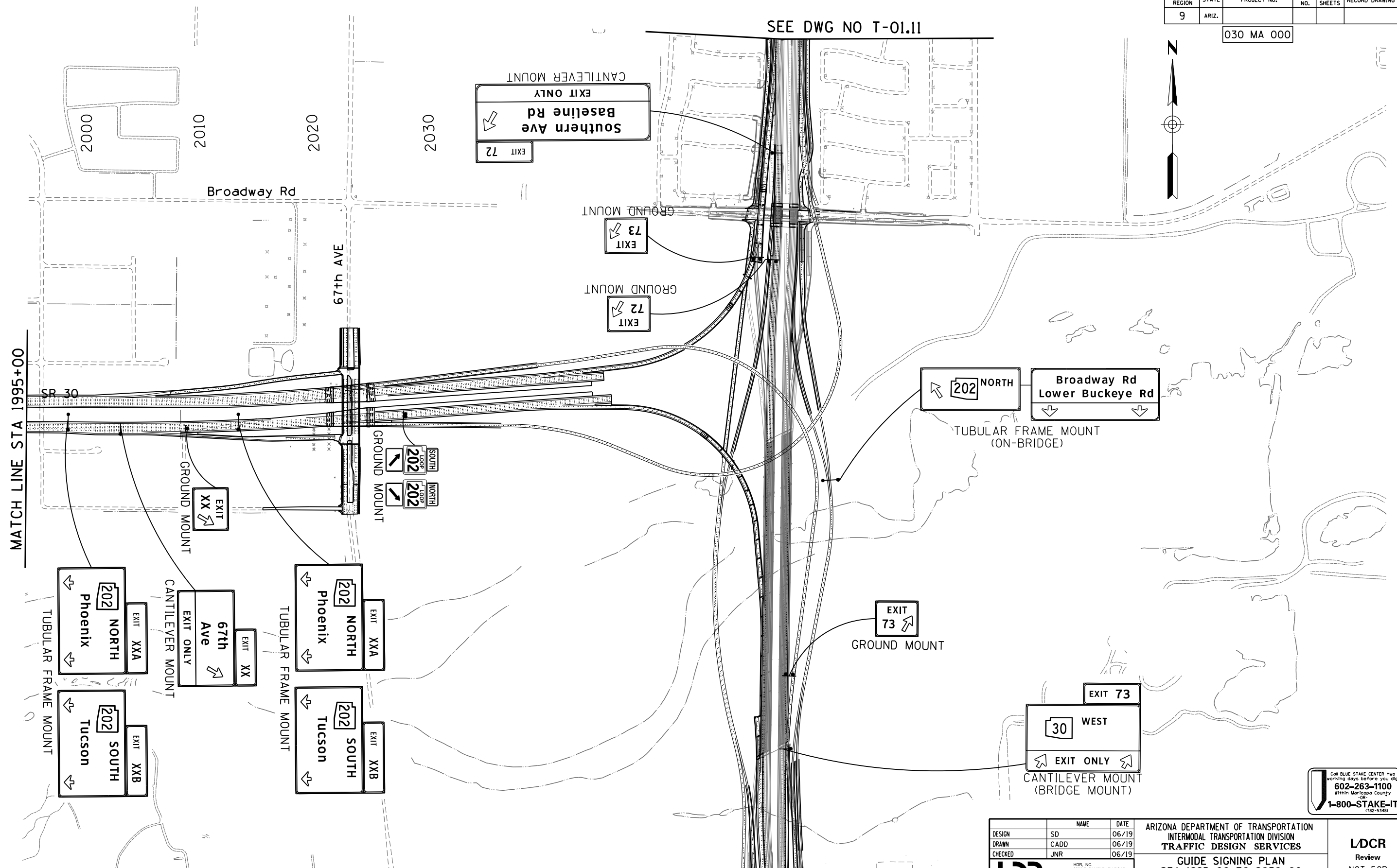
F.H.W.A. REGION	STATE	PROJECT NO.	SHEET NO.	TOTAL SHEETS	RECORD DRAWING
9	ARIZ.				

030 MA 000



SEE DWG NO T-01.11

SEE DWG NO T-01.10



# SECTION 3B-2 SELECTED ALTERNATIVE

DESIGN	SD	DATE	06/19
DRAWN	CADD	DATE	06/19
CHECKED	JNR	DATE	06/19
<b>HR</b>		<small>HDR, INC. 3200 E. CAMELBACK ROAD SUITE 300 PHOENIX, AZ 85018-2311 TEL (602) 922-7700</small>	
ROUTE	SR 30	LOCATION	SR 30, SR 303L TO SR 202L
TRACS NO.	H6876 OIL		

ARIZONA DEPARTMENT OF TRANSPORTATION  
INTERMODAL TRANSPORTATION DIVISION  
TRAFFIC DESIGN SERVICES

**GUIDE SIGNING PLAN**  
STA 1995+00 TO 2030+00  
SECTION 3B-2

Call BLUE STAKE CENTER two working days before you dig.  
**602-263-1100**  
Within Maricopa County  
OR  
**1-800-STAKE-IT**  
(782-5348)

**LDCR**  
Review  
NOT FOR  
CONSTRUCTION  
OR RECORDING  
DWG NO T-01.08

FILE NAME: c:\pwworking\phx\0417076\GS6876\DCR02\_3B-2.dgn PLOT DATE: Jun, 13, 2019 TIME: 10:49:33 AM PLOT SCALE: 1:800 PLOT BY: AHOFFMAN  
 SURVEY NO. FINISHED PLANS REVISIONS- DATE- LOCATION-

PLOT BY: AHOFFMAN

PLOT SCALE: 1:800

TIME: 10:49:55 AM

DATE: Jun, 13, 2019

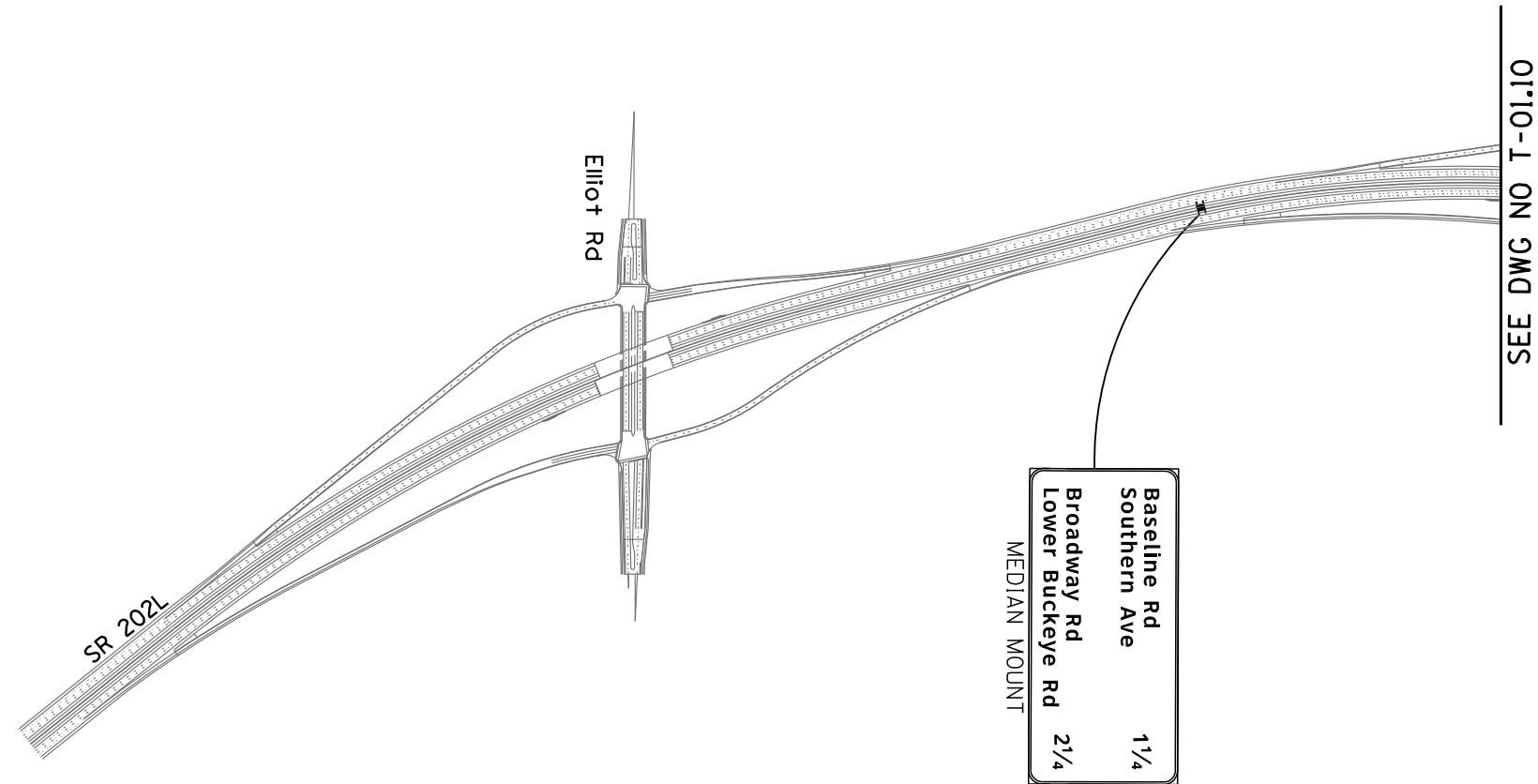
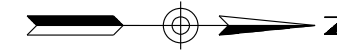
LOCATION: REVISIONS:

FINISHED PLANS:

FILE NAME: c:\pwworking\phx\d0417076\GS68761DCR03\_3B-2.dgn

F.H.W.A. REGION	STATE	PROJECT NO.	SHEET NO.	TOTAL SHEETS	RECORD DRAWING
9	ARIZ.				

030 MA 000



# SECTION 3B-2 SELECTED ALTERNATIVE

DESIGN	SD	DATE	06/19	ARIZONA DEPARTMENT OF TRANSPORTATION INTERMODAL TRANSPORTATION DIVISION TRAFFIC DESIGN SERVICES	<b>LDCR</b> Review NOT FOR CONSTRUCTION OR RECORDING
DRAWN	CADD	DATE	06/19		
CHECKED	JNR	DATE	06/19		
		HDR, INC. 3200 E. CAMELBACK ROAD SUITE 300 PHOENIX, AZ 85018-2311 TEL (602) 922-7700		GUIDE SIGNING PLAN STA 3000+00 TO 3070+00 SECTION 3B-2	
ROUTE	SR 30	LOCATION	SR 30, SR 303L TO SR 202L		DWG NO T-01.09
TRACS NO.	H6876 OIL				OF

Call BLUE STAKE CENTER two working days before you dig.  
**602-263-1100**  
Within Maricopa County  
OR  
**1-800-STAKE-IT**  
(782-5348)

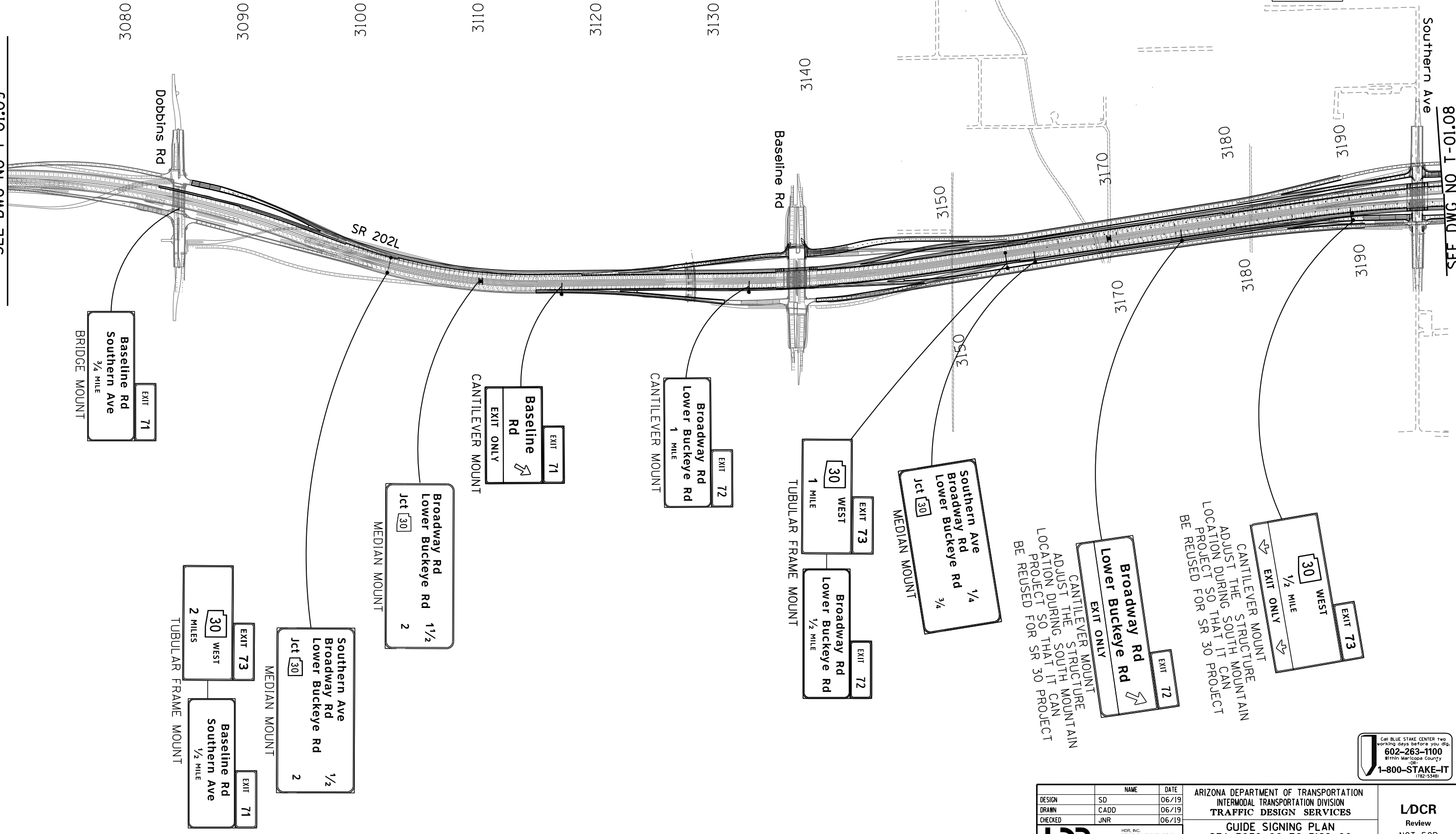
F.H.W.A. REGION	STATE	PROJECT NO.	SHEET NO.	TOTAL SHEETS	RECORD DRAWING
9	ARIZ.				

030 MA 000

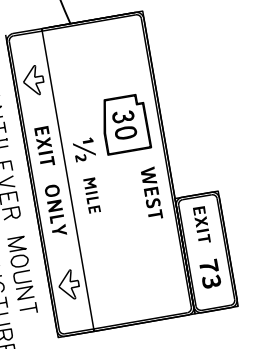
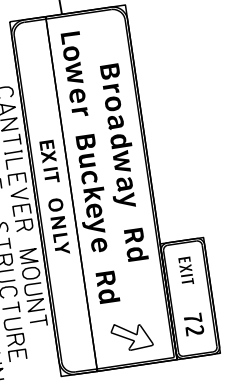
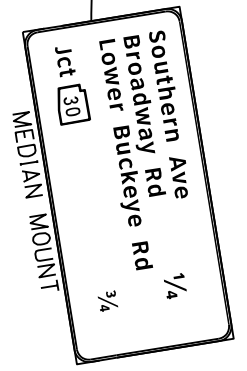
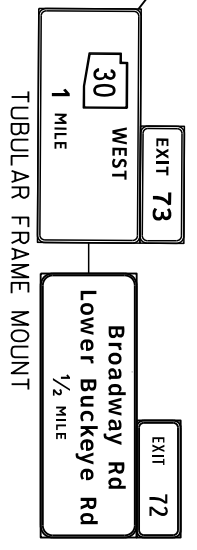
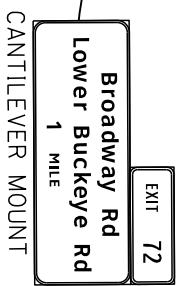
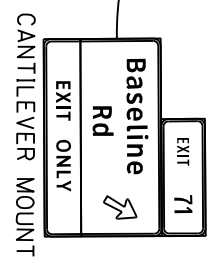
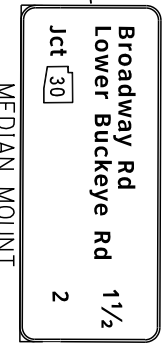
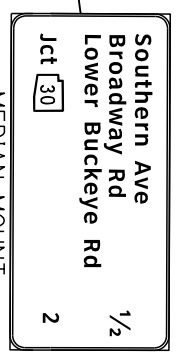
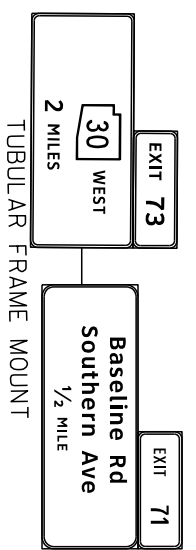


SEE DWG NO T-01.09

SEE DWG NO T-01.08



CANTILEVER MOUNT  
ADJUST THE STRUCTURE  
LOCATION DURING SOUTH MOUNTAIN  
PROJECT SO THAT IT CAN  
BE REUSED FOR SR 30 PROJECT



FILE NAME: c:\pwworking\phx\0417076\GS6876\IDCR04\_3B-2.dgn PLOT DATE: Jun, 13, 2019 TIME: 10:50:17 AM PLOT SCALE: 1:800 PLOT BY: AHOFFMAN

REVISIONS: SURVEY NO. FINISHED PLANS DATE LOCATION

# SECTION 3B-2 SELECTED ALTERNATIVE

DESIGN	SD	DATE	06/19
DRAWN	CADD	DATE	06/19
CHECKED	JNR	DATE	06/19

ARIZONA DEPARTMENT OF TRANSPORTATION  
INTERMODAL TRANSPORTATION DIVISION  
TRAFFIC DESIGN SERVICES

GUIDE SIGNING PLAN  
STA 3070+00 TO 3192+00  
SECTION 3B-2

Call BLUE STAKE CENTER two working days before you dig.  
602-263-1100  
Within Maricopa County  
1-800-STAKE-IT  
(182-5348)

**LDCR**  
Review  
NOT FOR  
CONSTRUCTION  
OR RECORDING  
DWG NO T-01.10  
OF



PLOT BY: AHOFFMAN

PLOT SCALE: 1:800

TIME: 10:50:40 AM

DATE: Jun, 13, 2019

LOCATION: FINISHED PLANS

REVISIONS: SURVEY NO.

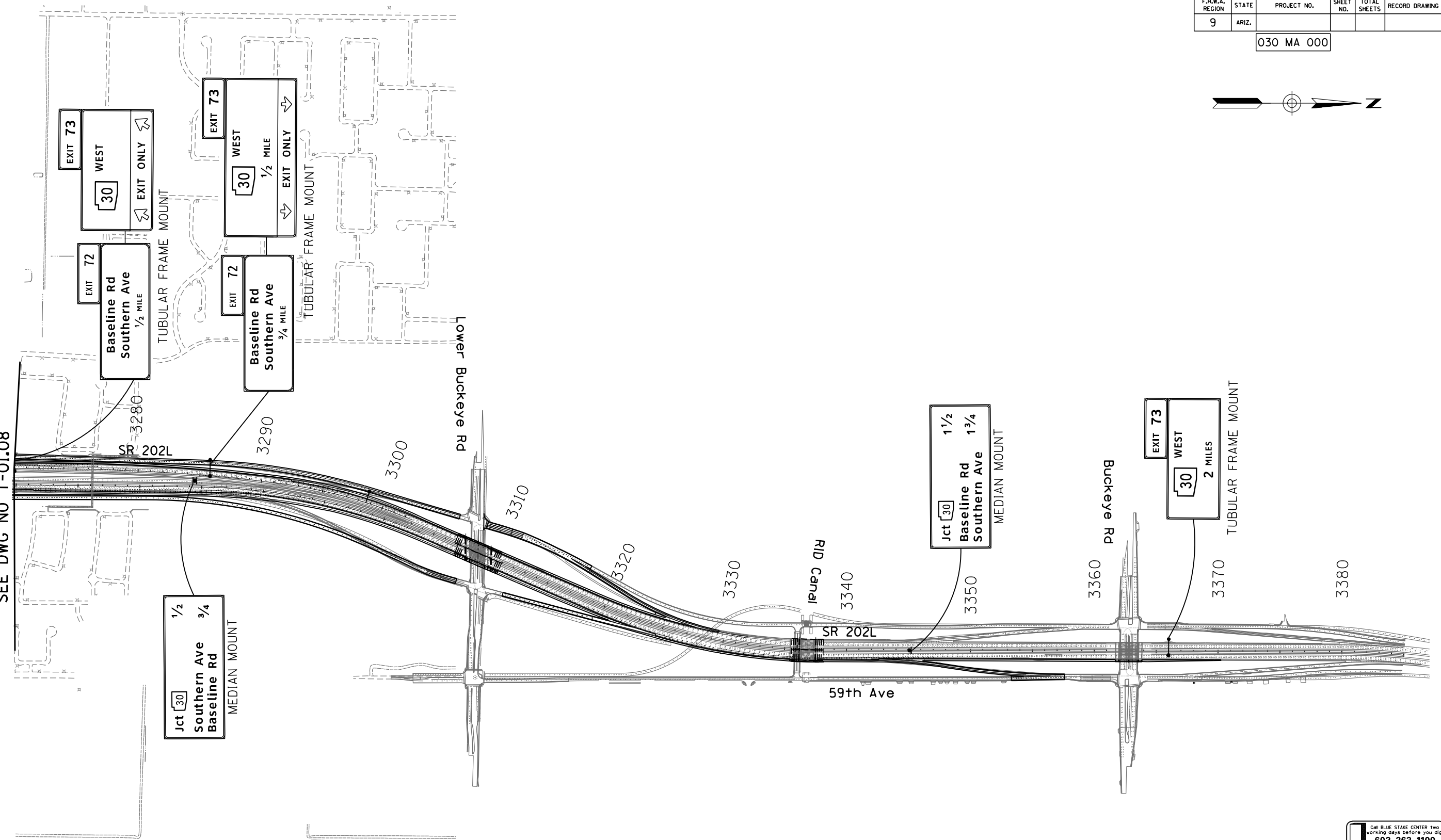
FILE NAME: c:\pwworking\phx\d0417076\GS68761DCR05\_3B-2.dgn

F.H.W.A. REGION	STATE	PROJECT NO.	SHEET NO.	TOTAL SHEETS	RECORD DRAWING
9	ARIZ.				

030 MA 000



SEE DWG NO T-01.08



# SECTION 3B-2 SELECTED ALTERNATIVE

DESIGN	SD	DATE	06/19	ARIZONA DEPARTMENT OF TRANSPORTATION INTERMODAL TRANSPORTATION DIVISION TRAFFIC DESIGN SERVICES	<b>LDCR</b> Review NOT FOR CONSTRUCTION OR RECORDING
DRAWN	CADD	DATE	06/19		
CHECKED	JNR	DATE	06/19		
<b>HDR</b>		HDR, INC. 3200 E. CAMELBACK ROAD SUITE 300 PHOENIX, AZ 85018-2311 TEL (602) 922-7700		GUIDE SIGNING PLAN STA 3270+00 TO 3285+00 SECTION 3B-2	
ROUTE	SR 30	LOCATION	SR 30, SR 303L TO SR 202L		DWG NO T-01.11
TRACS NO.	H6876 OIL				OF

Call BLUE STAKE CENTER two working days before you dig.  
602-263-1100  
Within Maricopa County only  
1-800-STAKE-IT  
(782-5348)