



**APPENDIX D
SYSTEM ALTERNATIVE I TYPICAL SECTIONS**

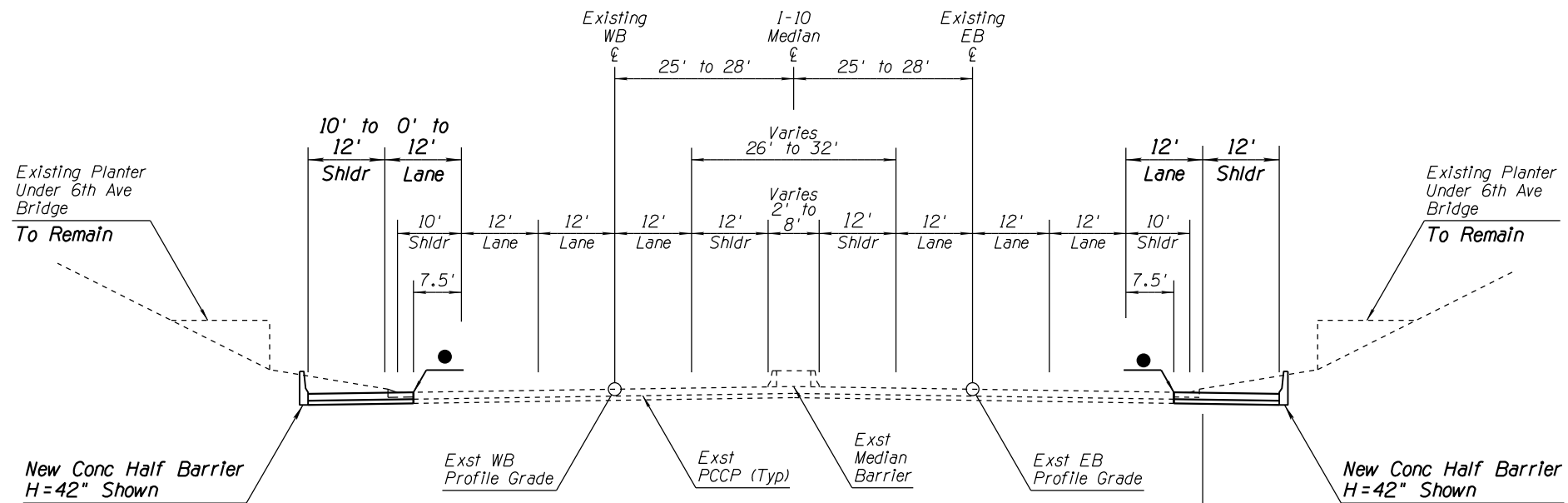
(RECOMMENDED ALTERNATIVE)



THIS PAGE INTENTIONALLY LEFT BLANK

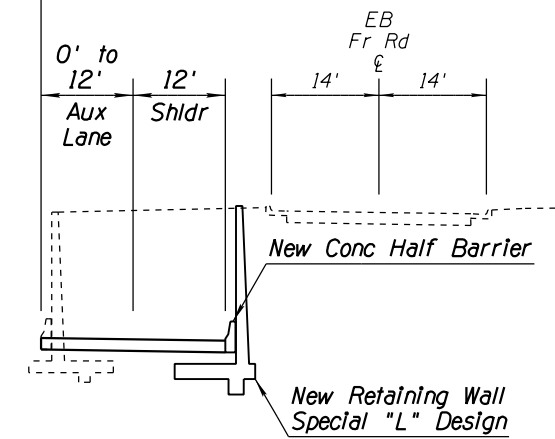
F.H.W.A. REGION	STATE	PROJECT NO.	SHEET NO.	TOTAL SHEETS	RECORD DRAWING
9	ARIZ.	010-E(210)S	1	44	

010 PM 260



● Lip of Existing Gutter

6th Ave Ramp 'A' Gore to EB Sta 351+18.31



EB Sta 351+18.31 to Med Sta 355+41.71

TYPICAL SECTION

I-10
Depressed Mainline
Outside Widening
Between 6th Ave Ramp 'A' Gore and Median Sta 355+41.71

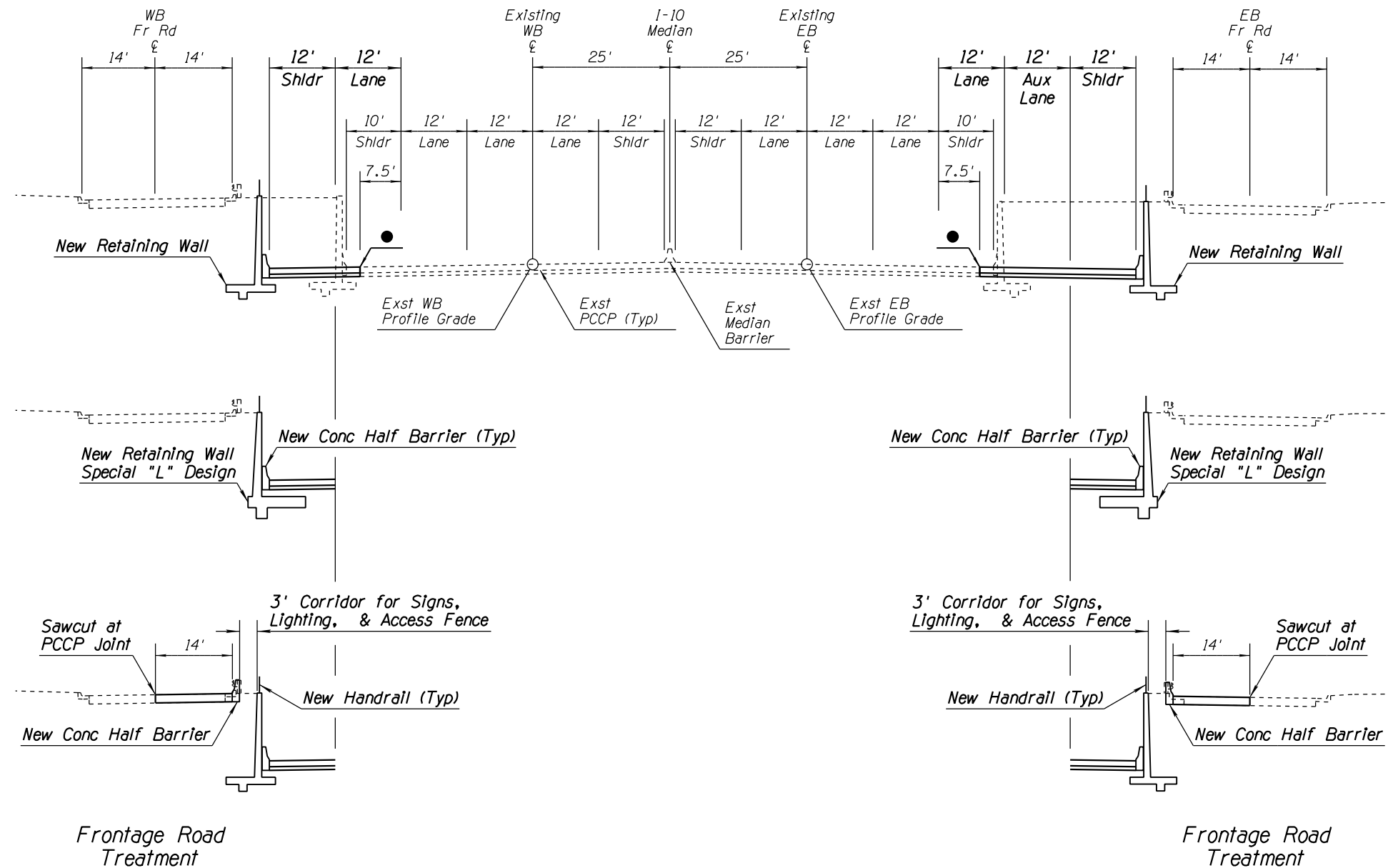
APPENDIX D

DESIGN	MKO/JBC	10-17	ARIZONA DEPARTMENT OF TRANSPORTATION INFRASTRUCTURE DELIVERY & OPERATIONS DIVISION ROADWAY DESIGN SERVICES	PRELIMINARY NOT FOR CONSTRUCTION OR RECORDING
DRAWN	SR/JLM	10-17		
CHECKED	PNB	12-17		
JACOBS			DESIGN SHEET I-10 SYSTEM ALT 1 TYPICAL SECTIONS	
ROUTE	LOCATION	I-10 - JCT. I-19 TO KOLB ROAD SR 210 - GOLF LINKS ROAD TO I-10		SHEET TYP-01
TRACS NO. H7825 01L			010-E(210)S	OF

SURVEY NO. FINISHED PLANS- REVISIONS- LOCATION- DATE- FINISHED PLANS- REVISIONS- LOCATION- DATE- SURVEY NO.

F.H.W.A. REGION	STATE	PROJECT NO.	SHEET NO.	TOTAL SHEETS	RECORD DRAWING
9	ARIZ.	010-E(210)S	2	44	

010 PM 260



● Lip of Existing Gutter

TYPICAL SECTION
 I-10
 Depressed Mainline
 Outside Widening
 Sta 355+41.71 to 4th Avenue

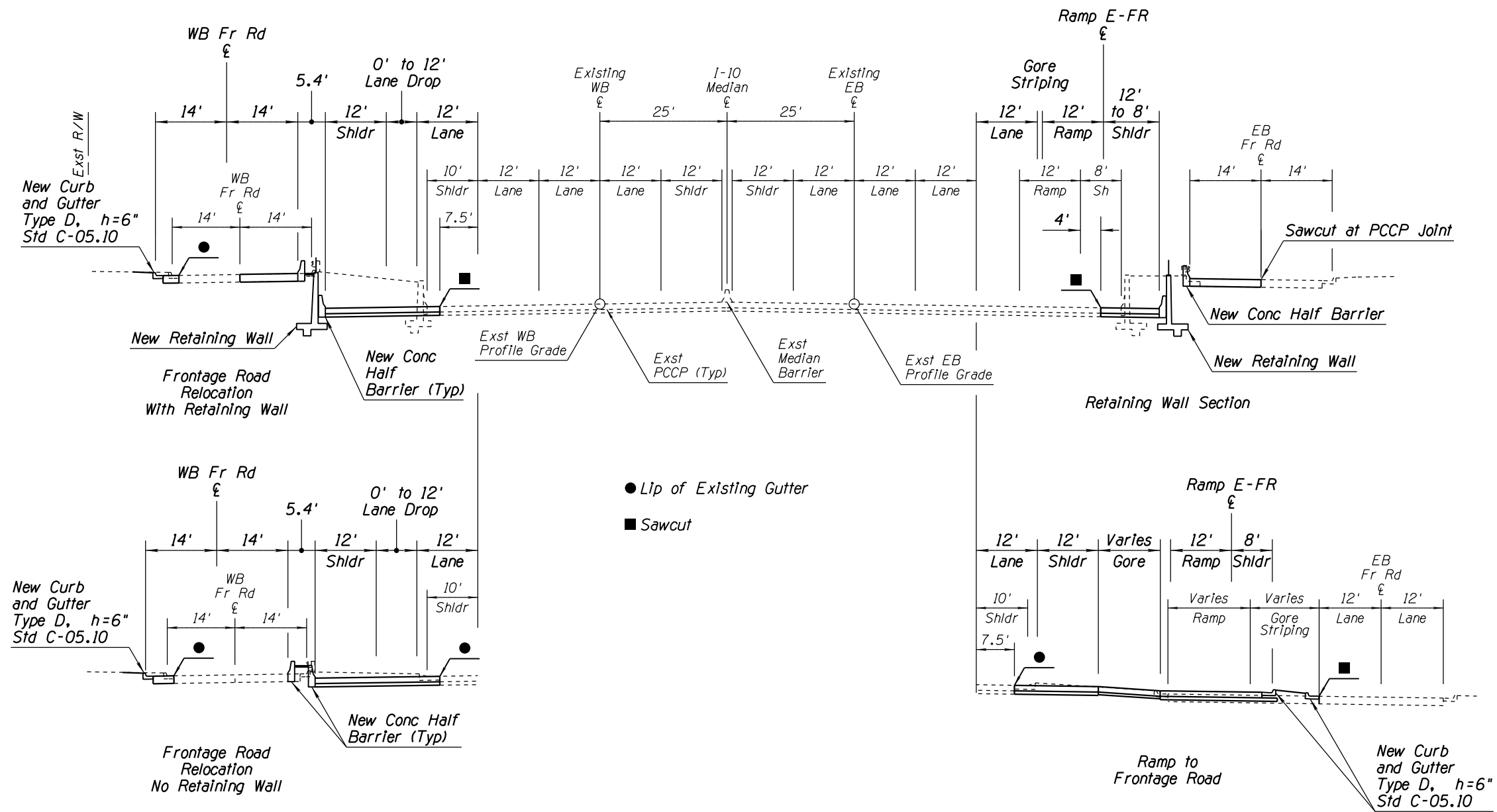
APPENDIX D

DESIGN	MKO/JBC	10-17	ARIZONA DEPARTMENT OF TRANSPORTATION INFRASTRUCTURE DELIVERY & OPERATIONS DIVISION ROADWAY DESIGN SERVICES	PRELIMINARY NOT FOR CONSTRUCTION OR RECORDING
DRAWN	SR/JLM	10-17		
CHECKED	PNB	12-17		
JACOBS			DESIGN SHEET I-10 SYSTEM ALT 1 TYPICAL SECTIONS	
ROUTE	LOCATION	I-10 - JCT. I-19 TO KOLB ROAD SR 210 - GOLF LINKS ROAD TO I-10		SHEET TYP-02
TRACS NO. H7825 01L		010-E(210)S		OF

REVISIONS- FINISHED PLANS- SURVEY NO. DATE- LOCATION- REVISIONS- FINISHED PLANS- SURVEY NO. DATE- LOCATION- REVISIONS- FINISHED PLANS- SURVEY NO. DATE-

F.H.W.A. REGION	STATE	PROJECT NO.	SHEET NO.	TOTAL SHEETS	RECORD DRAWING
9	ARIZ.	010-E(210)S	3	44	

010 PM 260



TYPICAL SECTION
 I-10
 Depressed Mainline
 4th Avenue to Crossover Ramps
 Outside Widening
 WB Frontage Road Relocation

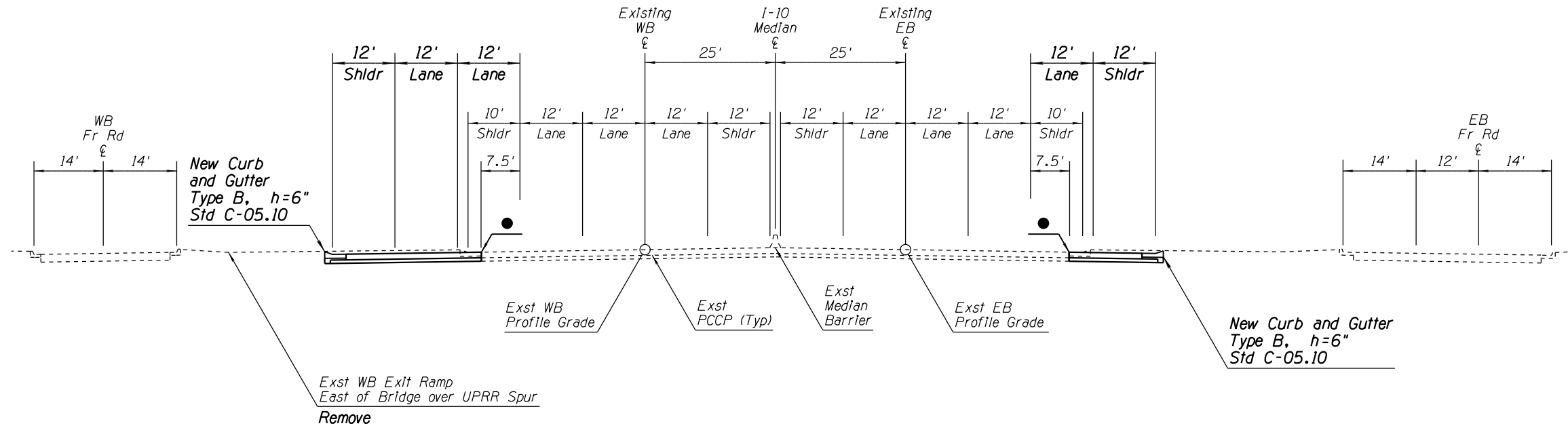
APPENDIX D

DESIGN	MKO/JBC	DATE	10-17	ARIZONA DEPARTMENT OF TRANSPORTATION INFRASTRUCTURE DELIVERY & OPERATIONS DIVISION ROADWAY DESIGN SERVICES	PRELIMINARY NOT FOR CONSTRUCTION OR RECORDING
DRAWN	SR/JLM	DATE	10-17		
CHECKED	PNB	DATE	12-17		
JACOBS		DESIGN SHEET I-10 SYSTEM ALT 1 TYPICAL SECTIONS		SHEET TYP-03	
ROUTE	I-10	LOCATION	I-10 - JCT. I-19 TO KOLB ROAD SR 210 - GOLF LINKS ROAD TO I-10		
TRACS NO.	H7825 01L		010-E(210)S		OF

SURVEY NO. FINISHED PLANS DATE REVISIONS LOCATION DATE

F.H.W.A. REGION	STATE	PROJECT NO.	SHEET NO.	TOTAL SHEETS	RECORD DRAWING
9	ARIZ.	010-E(210)S	4	44	

010 PM 260



● Lip of Existing Gutter

TYPICAL SECTION
 I-10
 Elevated Mainline
 In the Vicinity of UPRR Spur
 Outside Widening
 Between EB Exit and Sta PC 375+93.29

APPENDIX D

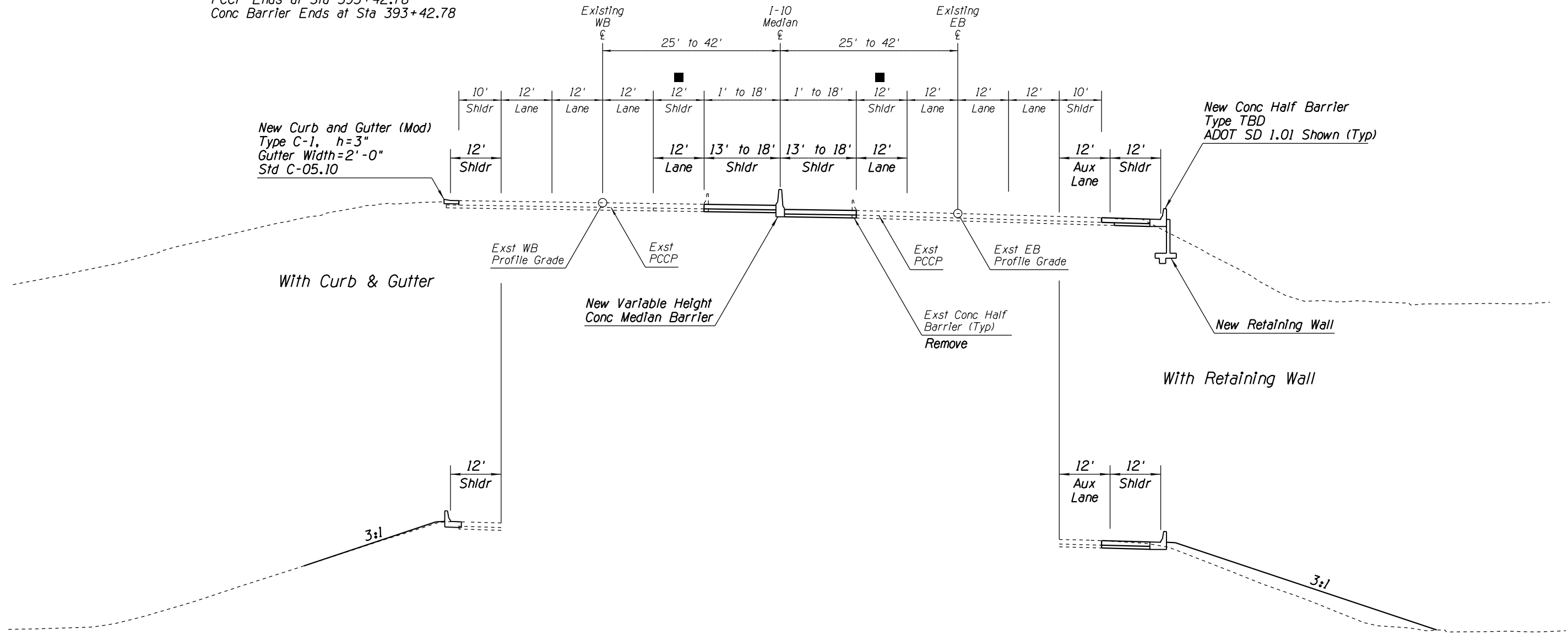
DESIGN	MKO/JBC	10-17	ARIZONA DEPARTMENT OF TRANSPORTATION INFRASTRUCTURE DELIVERY & OPERATIONS DIVISION ROADWAY DESIGN SERVICES	PRELIMINARY NOT FOR CONSTRUCTION OR RECORDING
DRAWN	SR/JLM	10-17		
CHECKED	PNB	12-17		
JACOBS			DESIGN SHEET I-10 SYSTEM ALT 1 TYPICAL SECTIONS	
ROUTE	LOCATION	I-10 - JCT. I-19 TO KOLB ROAD SR 210 - GOLF LINKS ROAD TO I-10		SHEET TYP-04
TRACS NO. H7825 01L			010-E(210)S	OF

SURVEY NO. FINISHED PLANS DATE REVISIONS LOCATION DATE

F.H.W.A. REGION	STATE	PROJECT NO.	SHEET NO.	TOTAL SHEETS	RECORD DRAWING
9	ARIZ.	010-E(210)S	5	44	

010 PM 260

- EB Shldr -
PCCP Ends at Sta 391+31.46
Conc Barrier Ends at Sta 391+47.39
- WB Shldr -
PCCP Ends at Sta 393+42.78
Conc Barrier Ends at Sta 393+42.78



With Curb & Gutter

With Retaining Wall

TYPICAL SECTION

I-10
Elevated Mainline
Curve at Park Ave
Change from Outside Widening to Inside Widening
Med Sta PC 375+93.29 to Med Sta PT 397+99.24

APPENDIX D

DESIGN	MKO/JBC	DATE	10-17	ARIZONA DEPARTMENT OF TRANSPORTATION INFRASTRUCTURE DELIVERY & OPERATIONS DIVISION ROADWAY DESIGN SERVICES	PRELIMINARY NOT FOR CONSTRUCTION OR RECORDING
DRAWN	SR/JLM	DATE	10-17		
CHECKED	PNB	DATE	12-17		
JACOBS		DESIGN SHEET I-10 SYSTEM ALT 1 TYPICAL SECTIONS		SHEET TYP-05	
ROUTE	I-10	LOCATION	I-10 - JCT. I-19 TO KOLB ROAD SR 210 - GOLF LINKS ROAD TO I-10		
TRACS NO.	H7825 OIL		010-E(210)S		OF

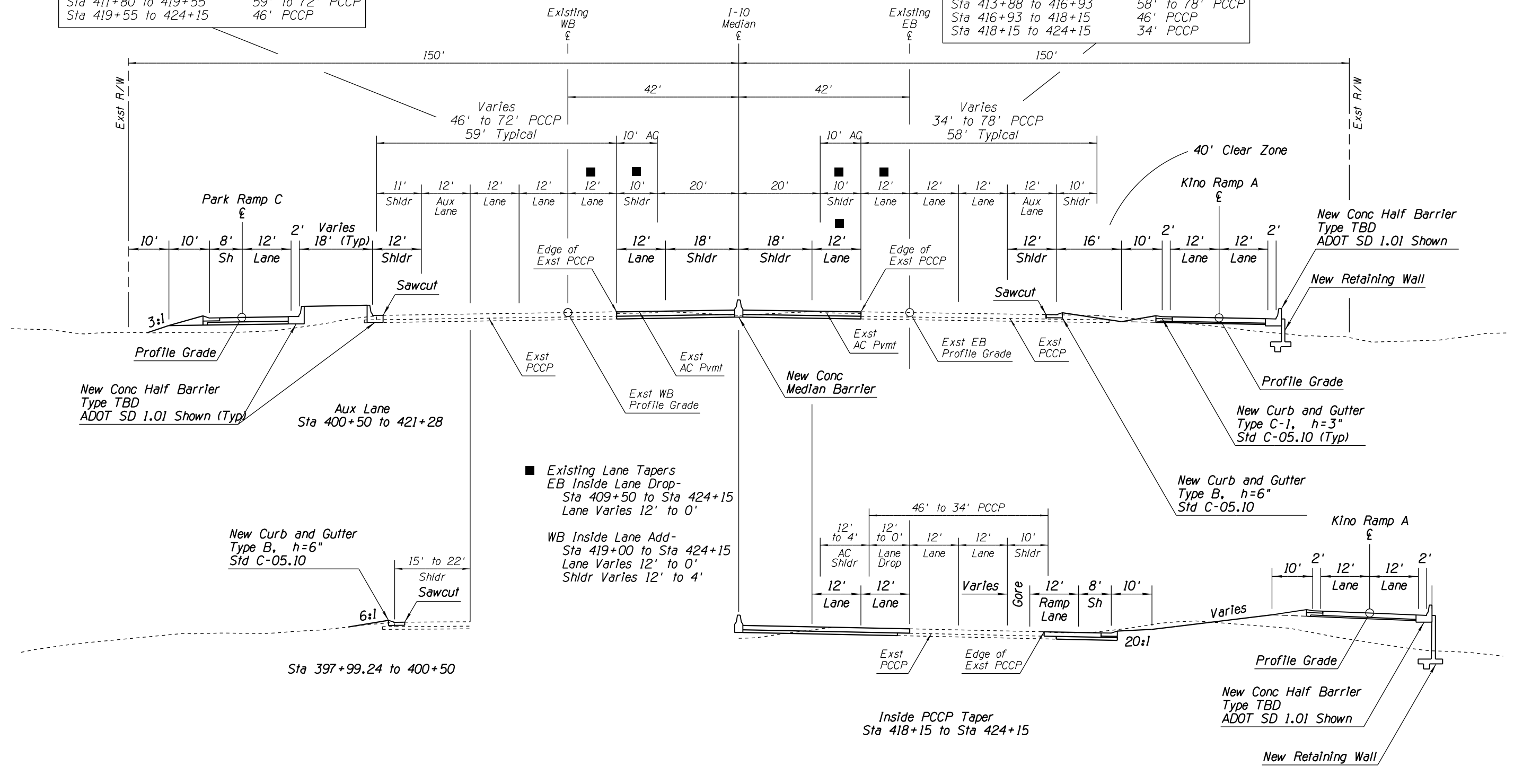
DATE LOCATION REVISIONS FINISHED PLANS SURVEY NO. DATE LOCATION REVISIONS FINISHED PLANS SURVEY NO.

F.H.W.A. REGION	STATE	PROJECT NO.	SHEET NO.	TOTAL SHEETS	RECORD DRAWING
9	ARIZ.	010-E(210)S	6	44	

010 PM 260

Sta 397+99.24 to 400+80 51' to 58' PCCP
 Sta 400+80 to 411+80 59' PCCP
 Sta 411+80 to 419+55 59' to 72' PCCP
 Sta 419+55 to 424+15 46' PCCP

Sta 397+99.24 to 400+50 76' to 58' PCCP
 Sta 400+50 to 413+88 58' PCCP
 Sta 413+88 to 416+93 58' to 78' PCCP
 Sta 416+93 to 418+15 46' PCCP
 Sta 418+15 to 424+15 34' PCCP



■ Existing Lane Tapers
 EB Inside Lane Drop-
 Sta 409+50 to Sta 424+15
 Lane Varies 12' to 0'
 WB Inside Lane Add-
 Sta 419+00 to Sta 424+15
 Lane Varies 12' to 0'
 Shldr Varies 12' to 4'

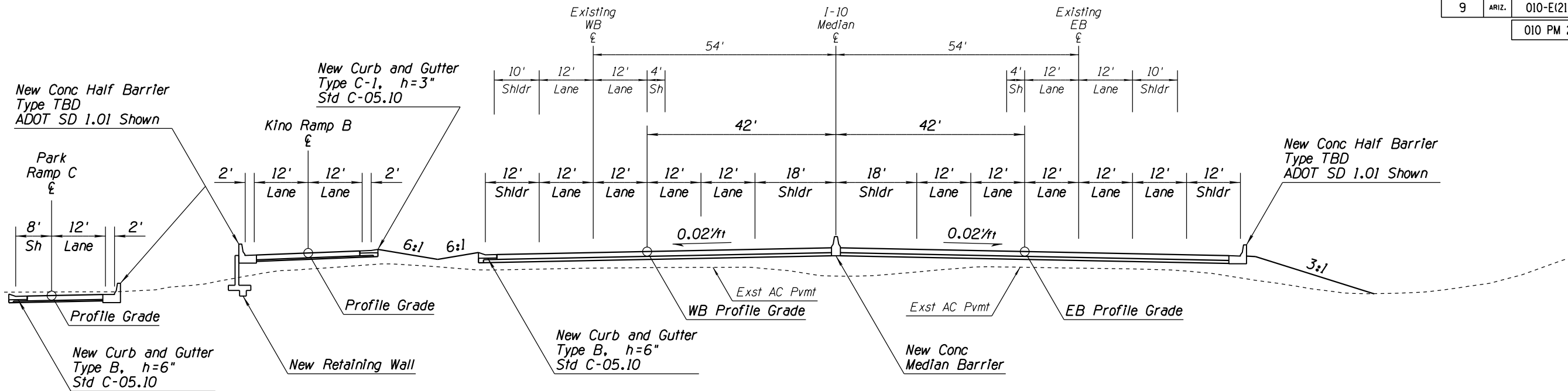
TYPICAL SECTION
 I-10
 Elevated Mainline
 Park Ave to Kino West Gores
 Inside Widening
 Med Sta PT 397+99.24 to Med Sta 421+28

APPENDIX D

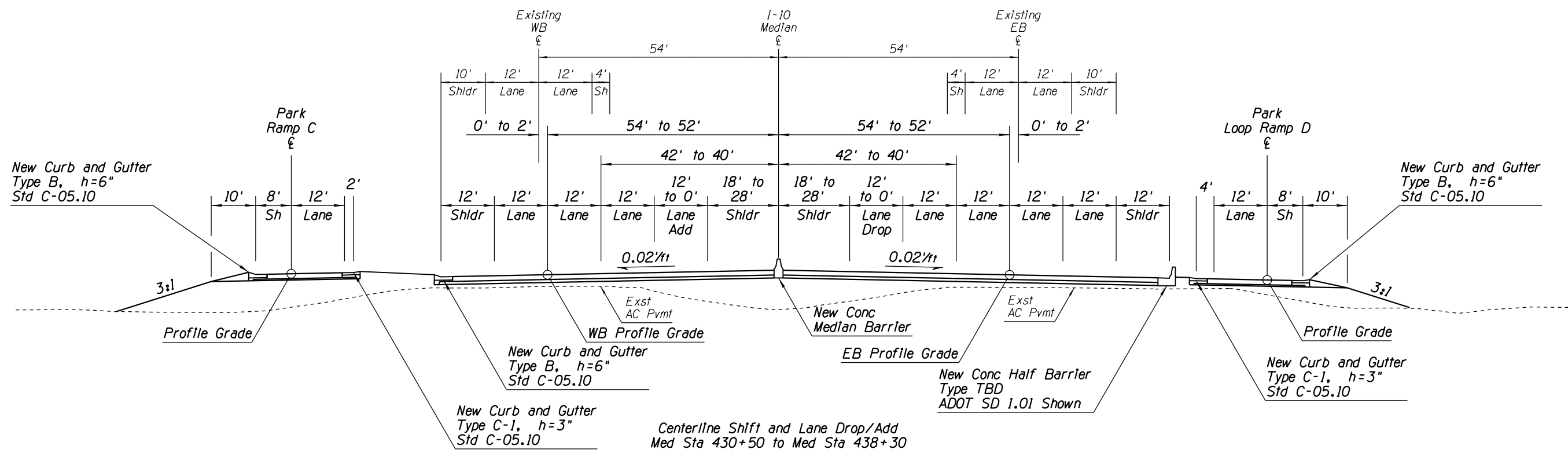
DESIGN	MKO/JBC	DATE	10-17	ARIZONA DEPARTMENT OF TRANSPORTATION INFRASTRUCTURE DELIVERY & OPERATIONS DIVISION ROADWAY DESIGN SERVICES	PRELIMINARY NOT FOR CONSTRUCTION OR RECORDING
DRAWN	SR/JLM	DATE	10-17		
CHECKED	PNB	DATE	12-17		
JACOBS		DESIGN SHEET		I-10 SYSTEM ALT I TYPICAL SECTIONS	
		ROUTE			
I-10		I-10 - JCT. I-19 TO KOLB ROAD		SR 210 - GOLF LINKS ROAD TO I-10	
TRACS NO. H7825 OIL		010-E(210)S		SHEET TYP-06	

F.H.W.A. REGION	STATE	PROJECT NO.	SHEET NO.	TOTAL SHEETS	RECORD DRAWING
9	ARIZ.	010-E(210)S	7	44	

010 PM 260



Med Sta 421+28 to Med Sta 430+50



Centerline Shift and Lane Drop/Add
Med Sta 430+50 to Med Sta 438+30

TYPICAL SECTION
I-10
Elevated Mainline
West Kino Gores to Sta 438+30
Inside Widening
Med Sta PT 421+28 to Med Sta 438+30

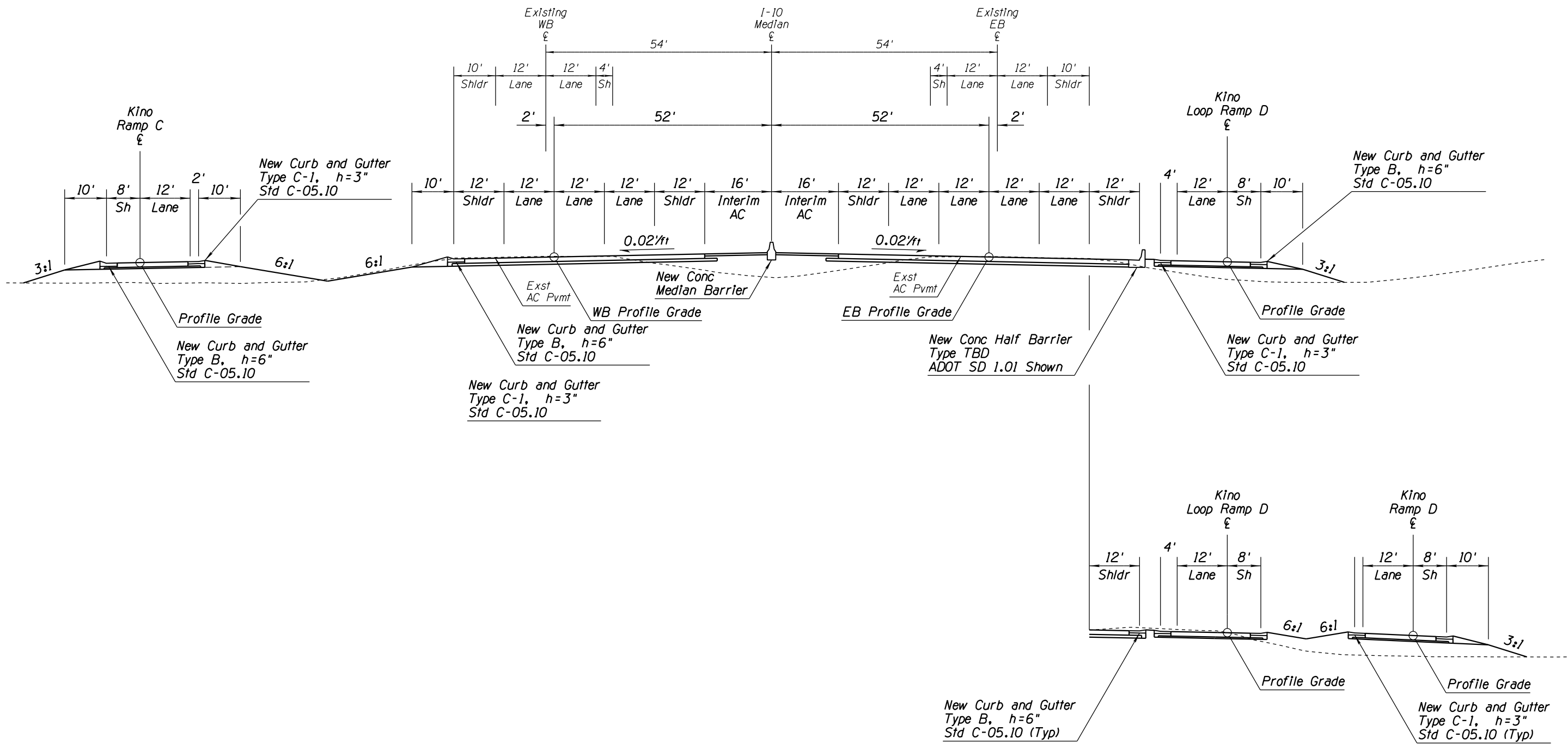
APPENDIX D

DESIGN	MKO/JBC	10-17	ARIZONA DEPARTMENT OF TRANSPORTATION INFRASTRUCTURE DELIVERY & OPERATIONS DIVISION ROADWAY DESIGN SERVICES	PRELIMINARY NOT FOR CONSTRUCTION OR RECORDING
DRAWN	SR/JLM	10-17		
CHECKED	PNB	12-17		
JACOBS			DESIGN SHEET I-10 SYSTEM ALT 1 TYPICAL SECTIONS	
ROUTE	LOCATION	I-10 - JCT. I-19 TO KOLB ROAD SR 210 - GOLF LINKS ROAD TO I-10		SHEET TYP-07
TRACS NO. H7825 OIL		010-E(210)S		OF

SURVEY NO. FINISHED PLANS. DATE REVISIONS. LOCATION. DATE FINISHED PLANS. SURVEY NO.

F.H.W.A. REGION	STATE	PROJECT NO.	SHEET NO.	TOTAL SHEETS	RECORD DRAWING
9	ARIZ.	010-E(210)S	8	44	

010 PM 260



TYPICAL SECTION
 I-10
 Elevated Mainline
 Sta 438+30 to East Kino Gores
 Inside Widening
 Med Sta 438+30 to Med Sta 445+00

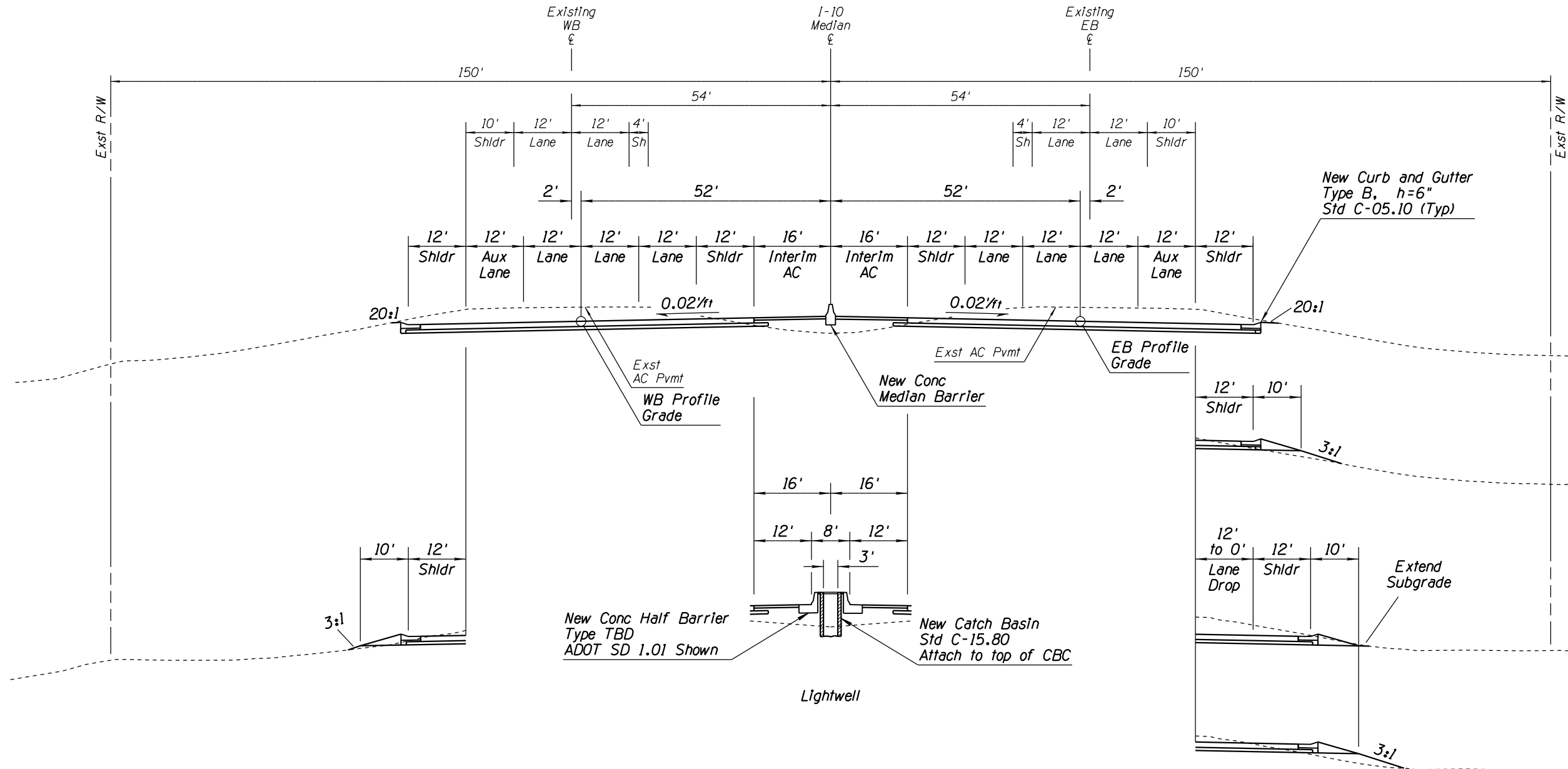
APPENDIX D

DESIGN	MKO/JBC	10-17	ARIZONA DEPARTMENT OF TRANSPORTATION INFRASTRUCTURE DELIVERY & OPERATIONS DIVISION ROADWAY DESIGN SERVICES	PRELIMINARY NOT FOR CONSTRUCTION OR RECORDING
DRAWN	SR/JLM	10-17		
CHECKED	PNB	12-17		
JACOBS			DESIGN SHEET I-10 SYSTEM ALT 1 TYPICAL SECTIONS	
ROUTE	LOCATION	I-10 - JCT. I-19 TO KOLB ROAD SR 210 - GOLF LINKS ROAD TO I-10		SHEET TYP-08
TRACS NO. H7825 OIL			010-E(210)S	OF

SURVEY NO. FINISHED PLANS DATE REVISIONS LOCATION DATE

F.H.W.A. REGION	STATE	PROJECT NO.	SHEET NO.	TOTAL SHEETS	RECORD DRAWING
9	ARIZ.	010-E(210)S	9	44	

010 PM 260



TYPICAL SECTION

*I-10
Elevated Mainline
East Kino Gores to Country Club Gores
Inside Widening
Med Sta 445+00 to Med Sta 487+00*

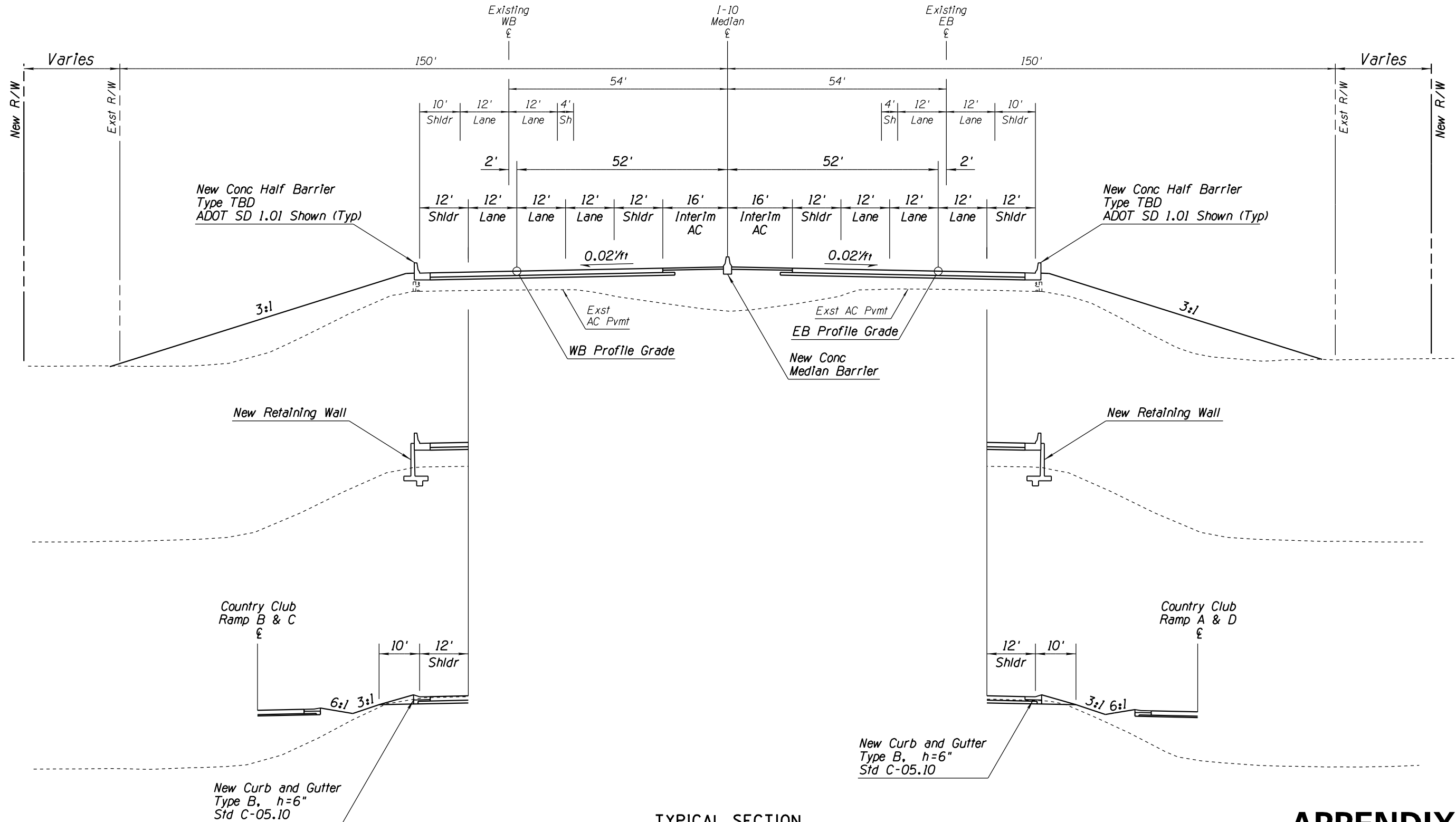
APPENDIX D

DESIGN	MKO/JBC	DATE	10-17	ARIZONA DEPARTMENT OF TRANSPORTATION INFRASTRUCTURE DELIVERY & OPERATIONS DIVISION ROADWAY DESIGN SERVICES	PRELIMINARY NOT FOR CONSTRUCTION OR RECORDING
DRAWN	SR/JLM	DATE	10-17		
CHECKED	PNB	DATE	12-17		
JACOBS		DESIGN SHEET I-10 SYSTEM ALT 1 TYPICAL SECTIONS			
ROUTE	I-10	LOCATION	I-10 - JCT. I-19 TO KOLB ROAD SR 210 - GOLF LINKS ROAD TO I-10		SHEET TYP-09
TRACS NO.	H7825 01L	010-E(210)S		OF	

SURVEY NO. FINISHED PLANS DATE REVISIONS LOCATION DATE

F.H.W.A. REGION	STATE	PROJECT NO.	SHEET NO.	TOTAL SHEETS	RECORD DRAWING
9	ARIZ.	010-E(210)S	10	44	

010 PM 260



TYPICAL SECTION
 I-10
 Elevated Mainline
 Between Country Club Gores
 Inside Widening
 Med Sta 487+00 to Med Sta 513+00

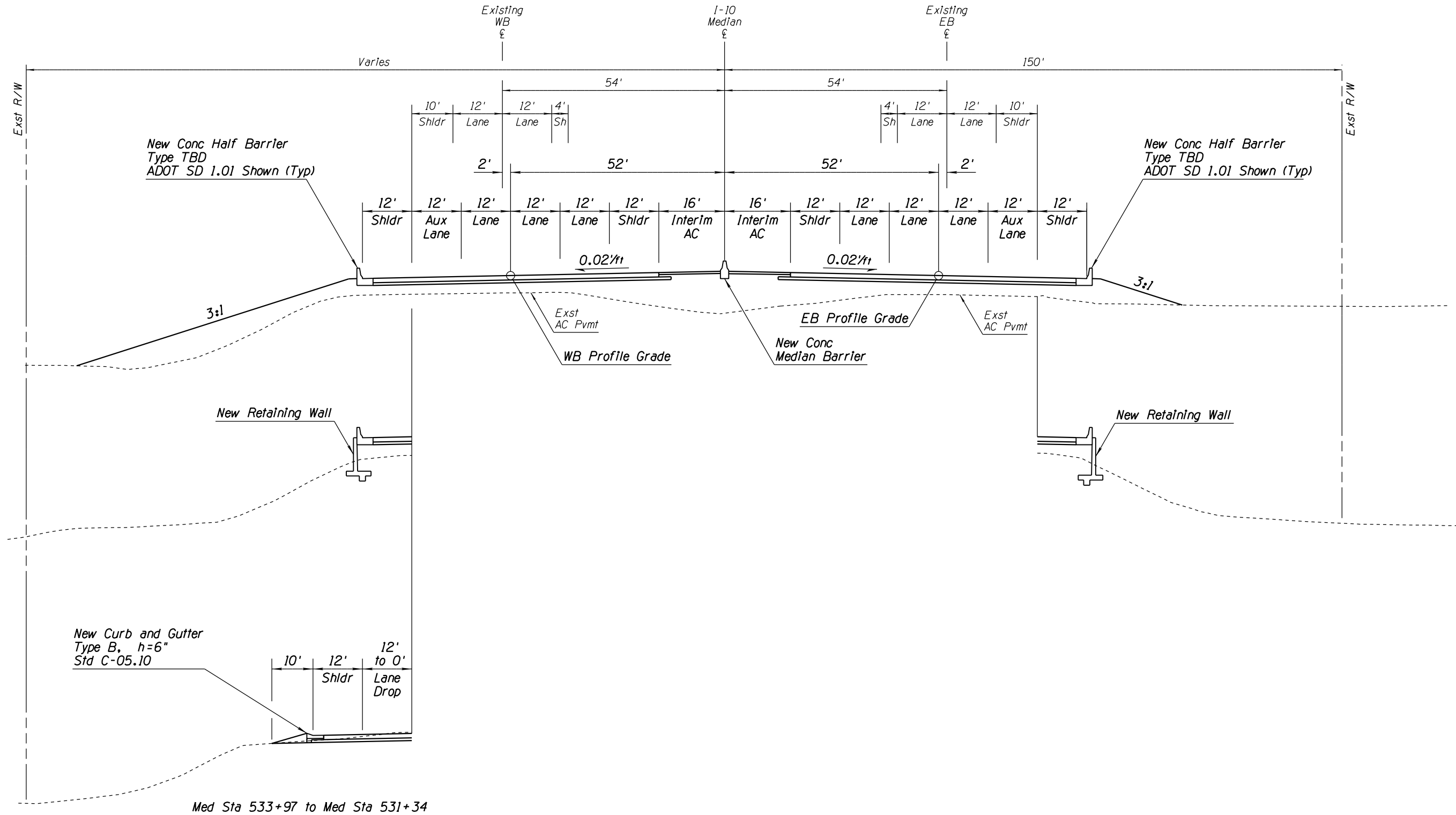
APPENDIX D

DESIGN	MKO/JBC	10-17	ARIZONA DEPARTMENT OF TRANSPORTATION INFRASTRUCTURE DELIVERY & OPERATIONS DIVISION ROADWAY DESIGN SERVICES	PRELIMINARY NOT FOR CONSTRUCTION OR RECORDING
DRAWN	SR/JLM	10-17		
CHECKED	PNB	12-17		
JACOBS			DESIGN SHEET I-10 SYSTEM ALT 1 TYPICAL SECTIONS	
ROUTE	I-10	LOCATION	I-10 - JCT. I-19 TO KOLB ROAD SR 210 - GOLF LINKS ROAD TO I-10	SHEET TYP-10
TRACS NO.	H7825 OIL		010-E(210)S	OF

SURVEY NO. FINISHED PLANS REVISIONS LOCATION DATE SURVEY NO. FINISHED PLANS REVISIONS LOCATION DATE SURVEY NO. FINISHED PLANS REVISIONS LOCATION DATE SURVEY NO. FINISHED PLANS REVISIONS LOCATION DATE

F.H.W.A. REGION	STATE	PROJECT NO.	SHEET NO.	TOTAL SHEETS	RECORD DRAWING
9	ARIZ.	010-E(210)S	11	44	

010 PM 260



TYPICAL SECTION
 I-10
 Elevated Mainline
 Country Club Gores to Alvernon Gores
 Inside Widening
 Med Sta 513+00 to Med Sta 548+00

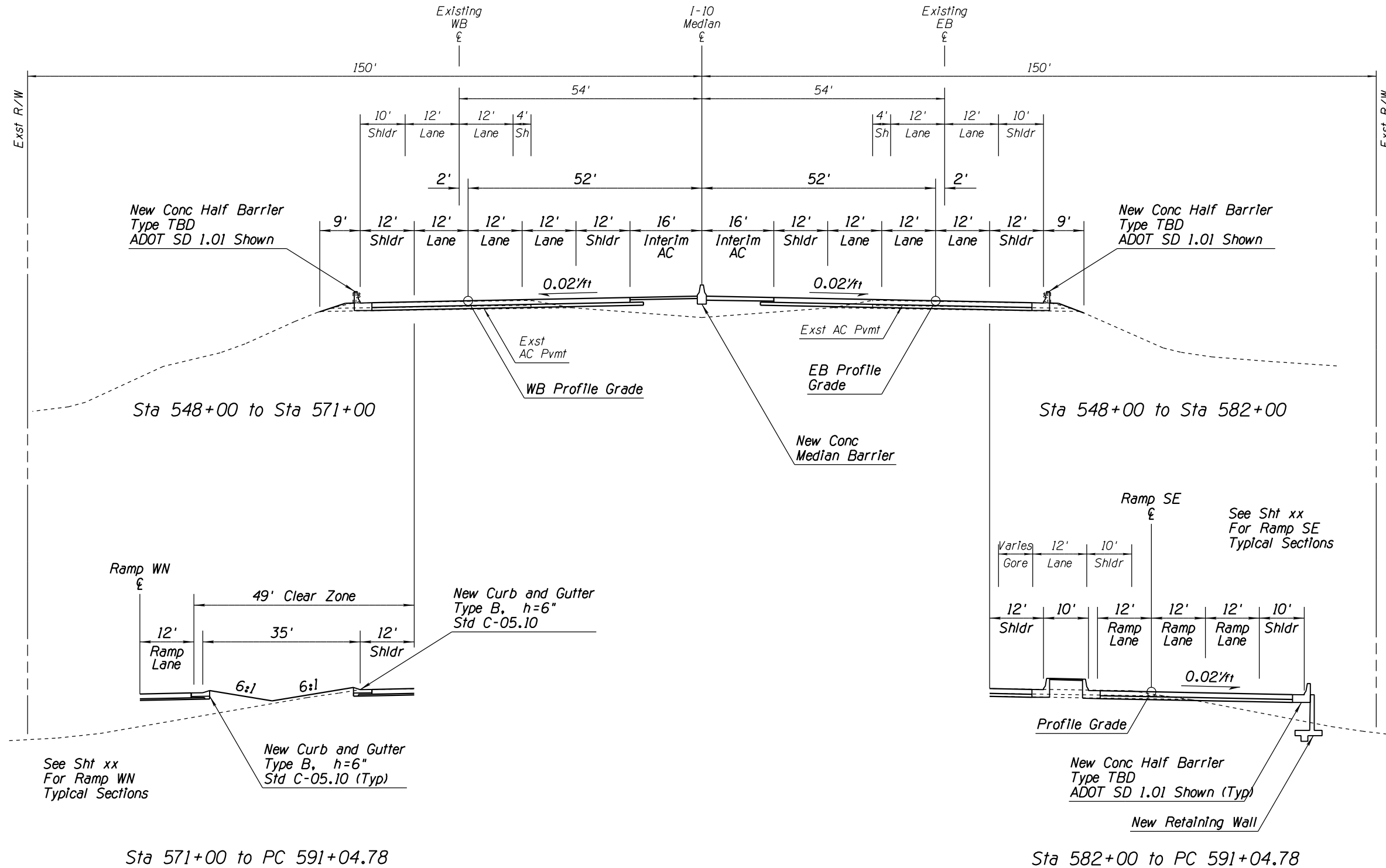
APPENDIX D

DESIGN	MKO/JBC	DATE	10-17	ARIZONA DEPARTMENT OF TRANSPORTATION INFRASTRUCTURE DELIVERY & OPERATIONS DIVISION ROADWAY DESIGN SERVICES	PRELIMINARY NOT FOR CONSTRUCTION OR RECORDING
DRAWN	SR/JLM	DATE	10-17		
CHECKED	PNB	DATE	12-17		
JACOBS		DESIGN SHEET I-10 SYSTEM ALT 1 TYPICAL SECTIONS			
ROUTE	I-10	LOCATION	I-10 - JCT. I-19 TO KOLB ROAD SR 210 - GOLF LINKS ROAD TO I-10		SHEET TYP-II
TRACS NO.	H7825 01L			010-E(210)S	OF

SURVEY NO. FINISHED PLANS DATE REVISIONS LOCATION DATE

F.H.W.A. REGION	STATE	PROJECT NO.	SHEET NO.	TOTAL SHEETS	RECORD DRAWING
9	ARIZ.	010-E(210)S	12	44	

010 PM 260



TYPICAL SECTION
 I-10 System Alternative I
 Elevated Mainline
 At SR 210 System Interchange
 Inside Widening
 Med Sta 548+00 to Med PC 591+04.78

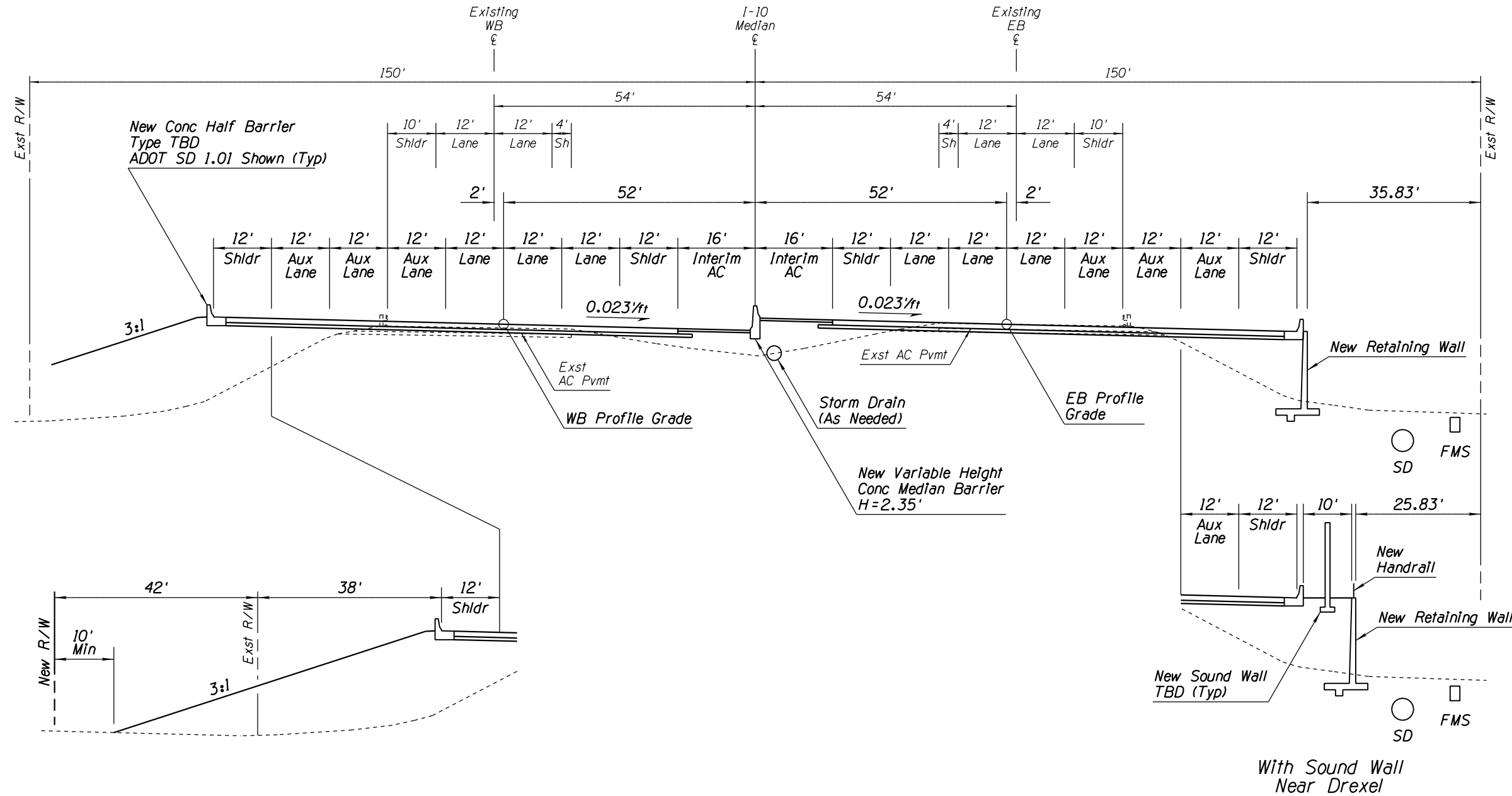
APPENDIX D

DESIGN	MKO/JBC	10-17	ARIZONA DEPARTMENT OF TRANSPORTATION INFRASTRUCTURE DELIVERY & OPERATIONS DIVISION ROADWAY DESIGN SERVICES	PRELIMINARY NOT FOR CONSTRUCTION OR RECORDING
DRAWN	SR/JLM	10-17		
CHECKED	PNB	12-17		
JACOBS			DESIGN SHEET I-10 SYSTEM ALT I TYPICAL SECTIONS	
ROUTE	LOCATION	I-10 - JCT. I-19 TO KOLB ROAD SR 210 - GOLF LINKS ROAD TO I-10		SHEET TYP-12
TRACS NO. H7825 01L			010-E(210)S	OF

SURVEY NO. FINISHED PLANS DATE REVISIONS LOCATION DATE

F.H.W.A. REGION	STATE	PROJECT NO.	SHEET NO.	TOTAL SHEETS	RECORD DRAWING
9	ARIZ.	010-E(210)S	13	44	

010 PM 260



TYPICAL SECTION
 I-10 System Alternative 1
 Elevated Mainline
 Curve East of Alvernon
 Inside Widening
 Med PC 591+04.78 to Med PT 634+85.33

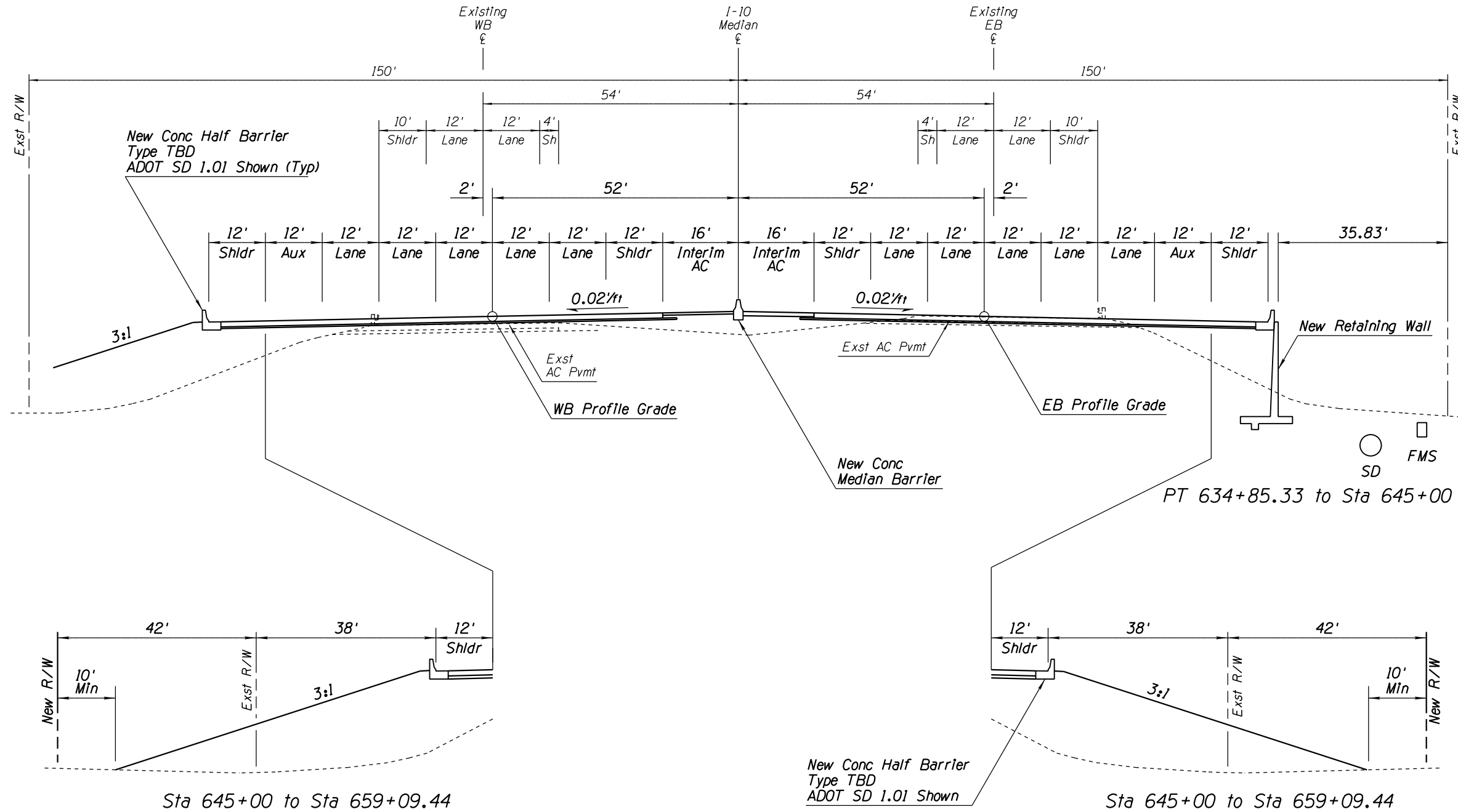
APPENDIX D

DESIGN	MKO/JBC	10-17	ARIZONA DEPARTMENT OF TRANSPORTATION INFRASTRUCTURE DELIVERY & OPERATIONS DIVISION ROADWAY DESIGN SERVICES	PRELIMINARY NOT FOR CONSTRUCTION OR RECORDING
DRAWN	SR/JLM	10-17		
CHECKED	PNB	12-17		
JACOBS			DESIGN SHEET I-10 SYSTEM ALT 1 TYPICAL SECTIONS	
ROUTE	LOCATION	I-10 - JCT. I-19 TO KOLB ROAD SR 210 - GOLF LINKS ROAD TO I-10		SHEET TYP-13
TRACS NO. H7825 OIL		010-E(210)S		OF

SURVEY NO. FINISHED PLANS DATE REVISIONS LOCATION DATE FINISHED PLANS SURVEY NO. REVISIONS LOCATION DATE

F.H.W.A. REGION	STATE	PROJECT NO.	SHEET NO.	TOTAL SHEETS	RECORD DRAWING
9	ARIZ.	010-E(210)S	14	44	

010 PM 260



TYPICAL SECTION
 I-10 System Alternative 1
 Elevated Mainline
 Drexel to Valencia Ramp Gores
 Inside Widening
 Med PT 634+85.33 to Med PC 659+09.44

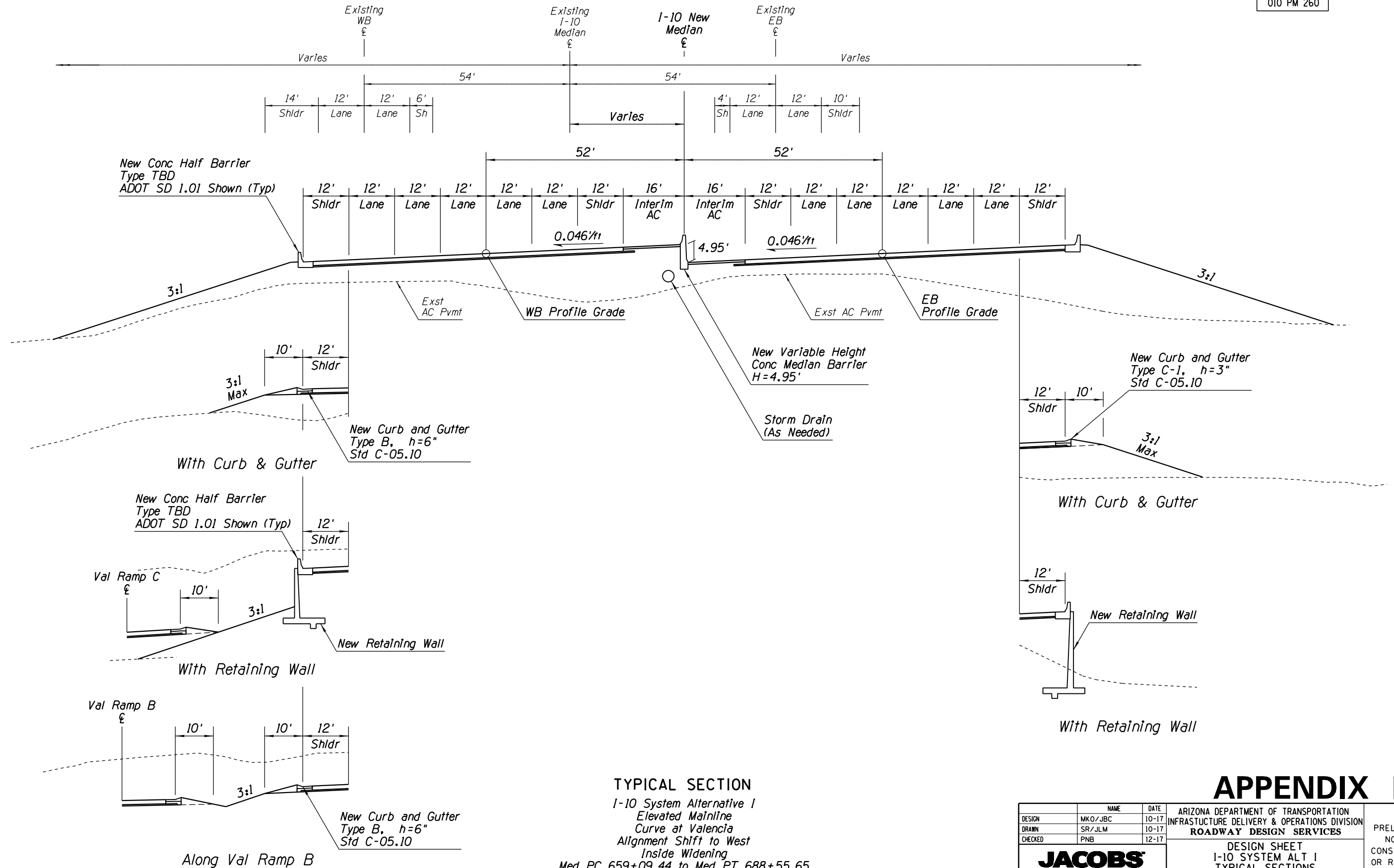
APPENDIX D

DESIGN	MKO/JBC	10-17	ARIZONA DEPARTMENT OF TRANSPORTATION INFRASTRUCTURE DELIVERY & OPERATIONS DIVISION ROADWAY DESIGN SERVICES	PRELIMINARY NOT FOR CONSTRUCTION OR RECORDING
DRAWN	SR/JLM	10-17		
CHECKED	PNB	12-17		
JACOBS			DESIGN SHEET I-10 SYSTEM ALT 1 TYPICAL SECTIONS	
ROUTE	LOCATION	I-10 - JCT. I-19 TO KOLB ROAD SR 210 - GOLF LINKS ROAD TO I-10		SHEET TYP-14
TRACS NO. H7825 OIL			010-E(210)S	OF

SURVEY NO. FINISHED PLANS. DATE. REVISIONS. LOCATION. DATE.

F.H.W.A. REGION	STATE	PROJECT NO.	SHEET NO.	TOTAL SHEETS	RECORD DRAWING
9	ARIZ.	010-E(210)S	15	44	

010 PM 260



TYPICAL SECTION
 I-10 System Alternative I
 Elevated Mainline
 Curve at Valencia
 Alignment Shift to West
 Inside Widening
 Med PC 659+09.44 to Med PT 688+55.65

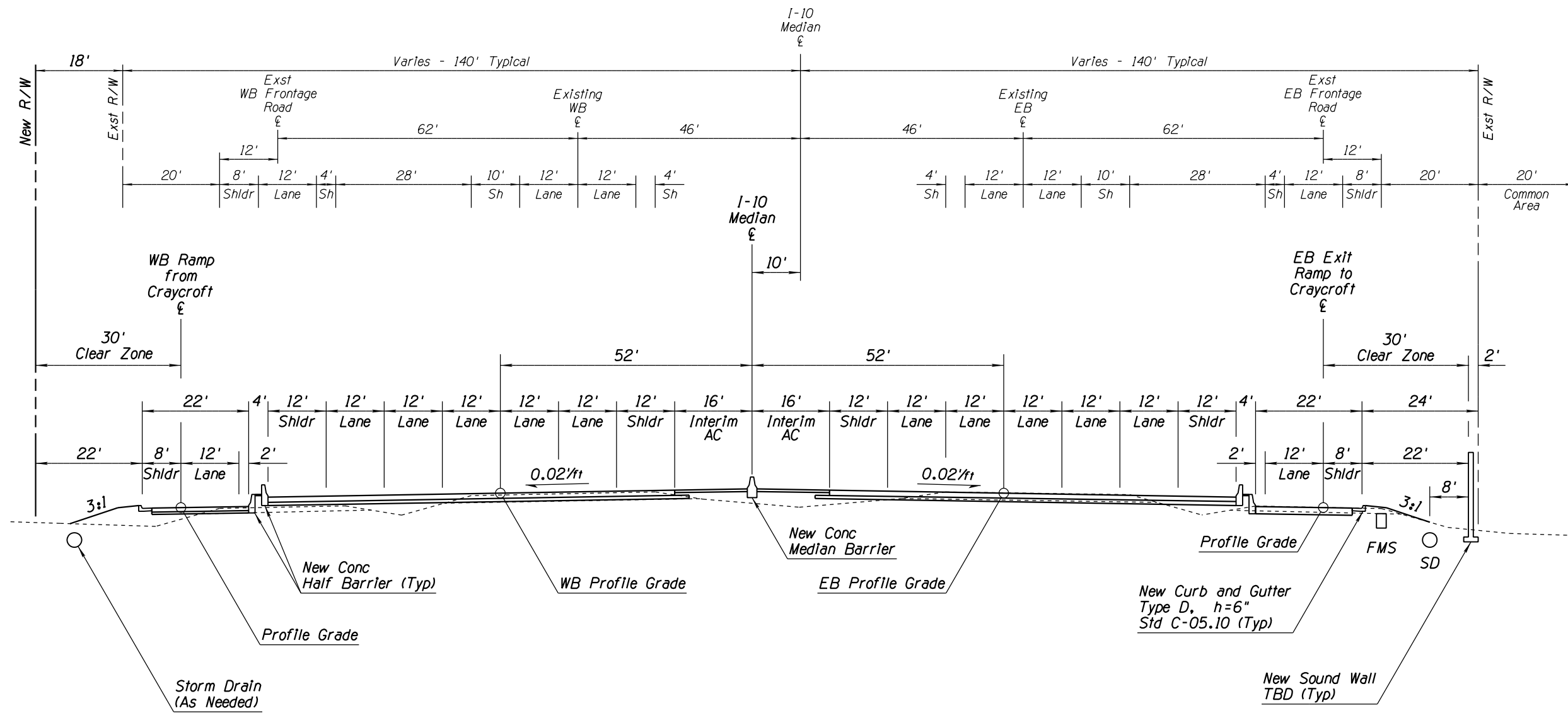
APPENDIX D

DESIGN	MKO/JBC	10-17	ARIZONA DEPARTMENT OF TRANSPORTATION INFRASTRUCTURE DELIVERY & OPERATIONS DIVISION ROADWAY DESIGN SERVICES	PRELIMINARY NOT FOR CONSTRUCTION OR RECORDING
DRAWN	SR/JLM	10-17		
CHECKED	PNB	12-17		
JACOBS			DESIGN SHEET I-10 SYSTEM ALT I TYPICAL SECTIONS	
ROUTE	LOCATION	I-10 - JCT. I-19 TO KOLB ROAD SR 210 - GOLF LINKS ROAD TO I-10		SHEET TYP-15
TRACS NO. H7825 OIL		010-E(210)S		OF

DATE: _____ LOCATION: _____ REVISIONS: _____ FINISHED PLANS: _____ SURVEY NO.: _____ DATE: _____ LOCATION: _____ REVISIONS: _____ FINISHED PLANS: _____ SURVEY NO.: _____

F.H.W.A. REGION	STATE	PROJECT NO.	SHEET NO.	TOTAL SHEETS	RECORD DRAWING
9	ARIZ.	010-E(210)S	16	44	

010 PM 260



TYPICAL SECTION
 I-10 System Alternative 1
 Elevated Mainline
 East of Valencia Rd to West of Craycroft Rd
 Shift I-10 10' to Left
 Med PT 688+55.65 to Med Sta 713+00

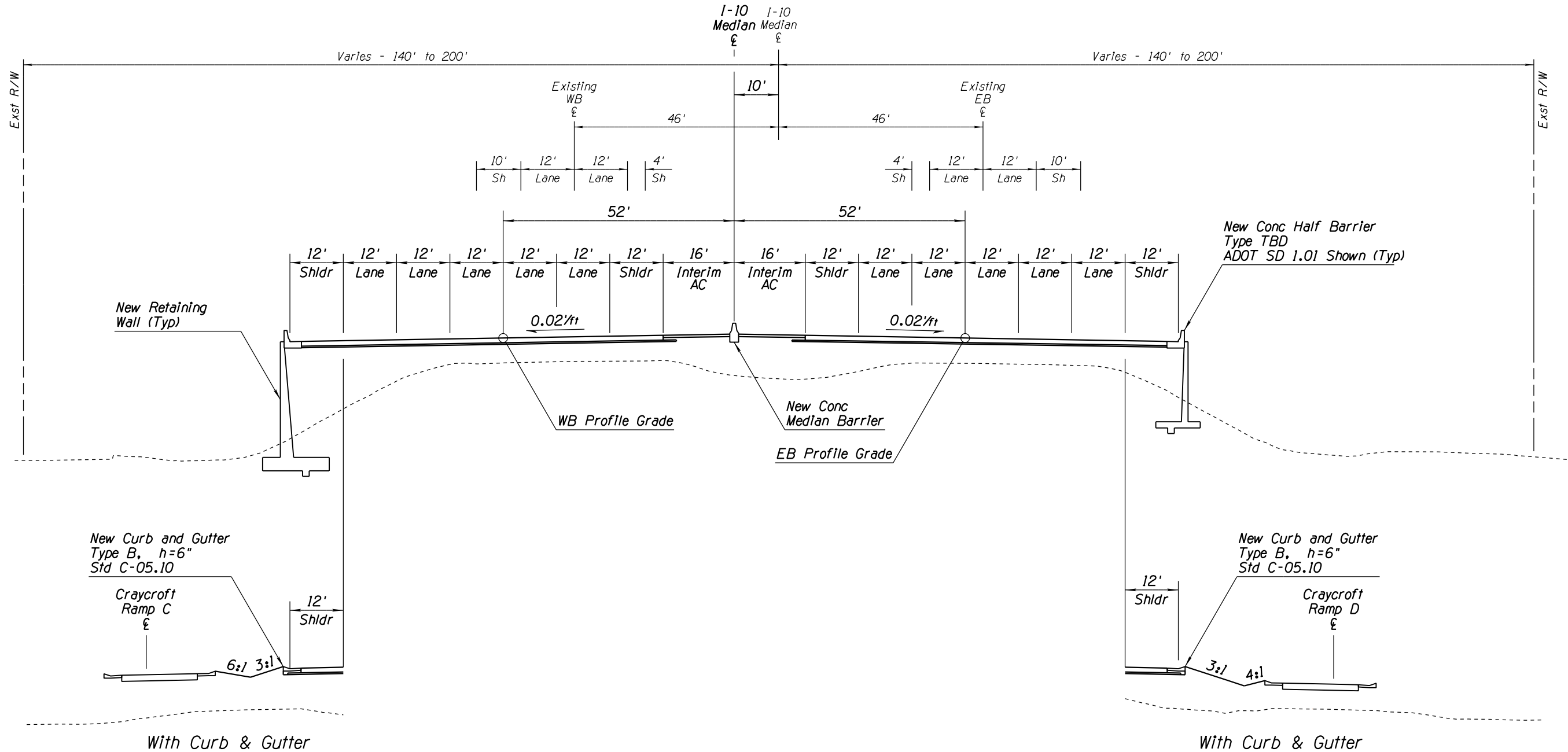
APPENDIX D

DESIGN	MKO/JBC	DATE	10-17	ARIZONA DEPARTMENT OF TRANSPORTATION INFRASTRUCTURE DELIVERY & OPERATIONS DIVISION ROADWAY DESIGN SERVICES	PRELIMINARY NOT FOR CONSTRUCTION OR RECORDING
DRAWN	SR/JLM	DATE	10-17		
CHECKED	PNB	DATE	12-17		
JACOBS		DESIGN SHEET I-10 SYSTEM ALT 1 TYPICAL SECTIONS		SHEET TYP-16	
ROUTE	I-10	LOCATION	I-10 - JCT. I-19 TO KOLB ROAD SR 210 - GOLF LINKS ROAD TO I-10		
TRACS NO.	H7825 OIL		010-E(210)S		OF

SURVEY NO. FINISHED PLANS. DATE REVISIONS. LOCATION. DATE

F.H.W.A. REGION	STATE	PROJECT NO.	SHEET NO.	TOTAL SHEETS	RECORD DRAWING
9	ARIZ.	010-E(210)S	17	44	

010 PM 260



TYPICAL SECTION
 I-10 System Alternative 1
 Elevated Mainline
 West of Craycroft to Craycroft East Gores
 Shift I-10 10' to Left
 Med Sta 713+00 to Med Sta 735+00

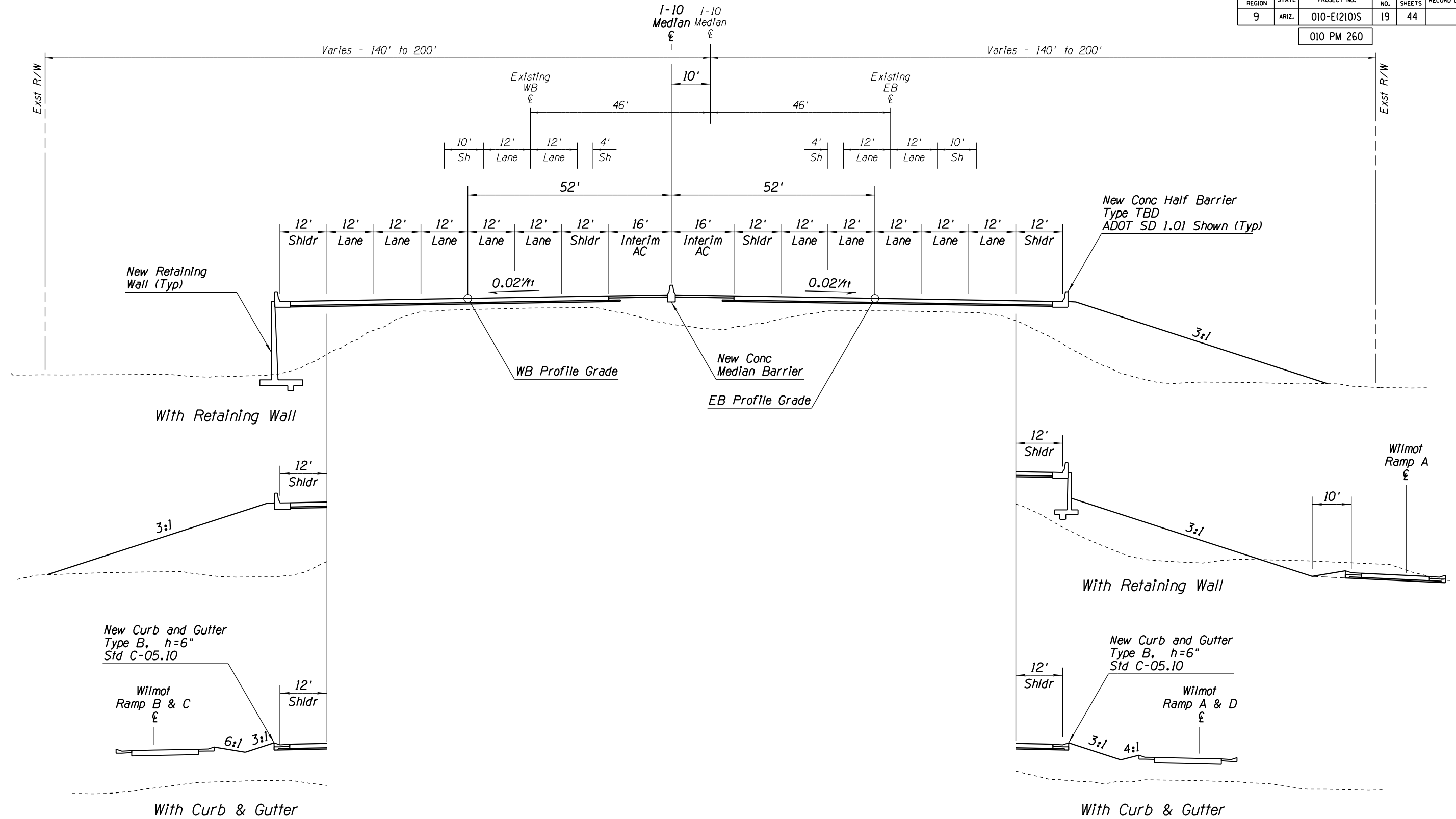
APPENDIX D

DESIGN	MKO/JBC	10-17	ARIZONA DEPARTMENT OF TRANSPORTATION INFRASTRUCTURE DELIVERY & OPERATIONS DIVISION ROADWAY DESIGN SERVICES	PRELIMINARY NOT FOR CONSTRUCTION OR RECORDING
DRAWN	SR/JLM	10-17		
CHECKED	PNB	12-17		
JACOBS			DESIGN SHEET I-10 SYSTEM ALT 1 TYPICAL SECTIONS	
ROUTE	LOCATION	I-10 - JCT. I-19 TO KOLB ROAD SR 210 - GOLF LINKS ROAD TO I-10		SHEET TYP-17
TRACS NO. H7825 01L			010-E(210)S	OF

SURVEY NO. LOCATION DATE FINISHED PLANS REVISIONS DATE LOCATION DATE FINISHED PLANS REVISIONS DATE SURVEY NO.

F.H.W.A. REGION	STATE	PROJECT NO.	SHEET NO.	TOTAL SHEETS	RECORD DRAWING
9	ARIZ.	010-E(210)S	19	44	

010 PM 260



TYPICAL SECTION
 I-10 System Alternative 1
 Elevated Mainline
 Wilmot West Gores to Wilmot East Gores
 Shift I-10 10' to Left
 Med Sta 778+00 to Med Sta 803+00

APPENDIX D

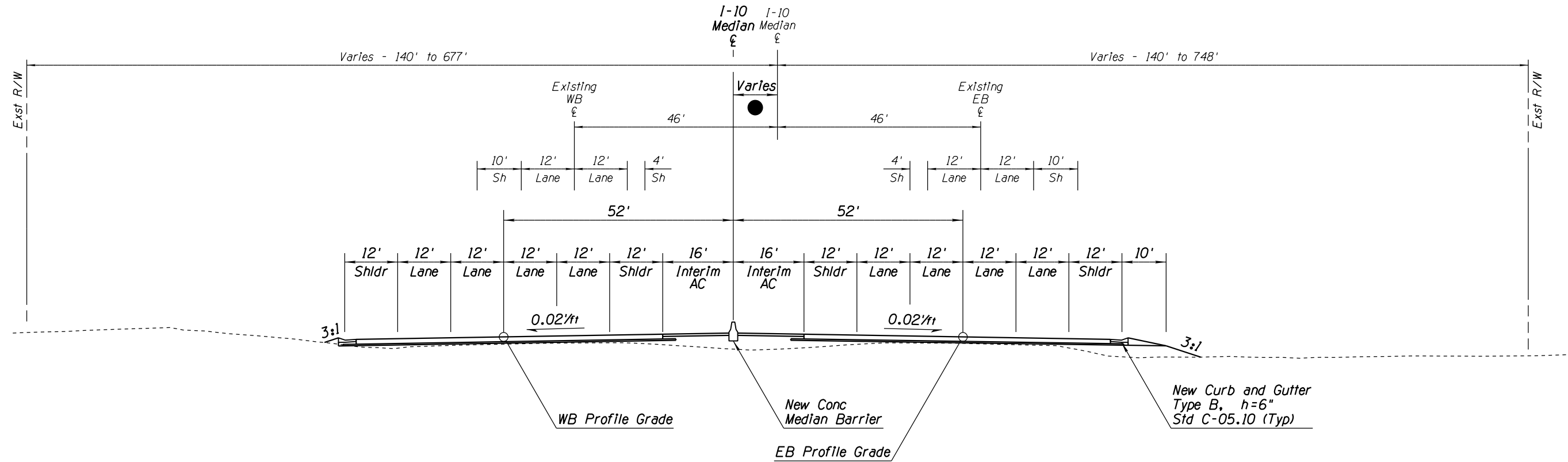
DESIGN	MKO/JBC	DATE	10-17	ARIZONA DEPARTMENT OF TRANSPORTATION INFRASTRUCTURE DELIVERY & OPERATIONS DIVISION ROADWAY DESIGN SERVICES	PRELIMINARY NOT FOR CONSTRUCTION OR RECORDING
DRAWN	SR/JLM	DATE	10-17		
CHECKED	PNB	DATE	12-17		
JACOBS		DESIGN SHEET I-10 SYSTEM ALT 1 TYPICAL SECTIONS			
ROUTE	I-10	LOCATION	I-10 - JCT. I-19 TO KOLB ROAD SR 210 - GOLF LINKS ROAD TO I-10		SHEET TYP-19
TRACS NO.	H7825 01L		010-E(210)S		OF

SURVEY NO. FINISHED PLANS LOCATION DATE REVISIONS FINISHED PLANS LOCATION DATE REVISIONS FINISHED PLANS LOCATION DATE SURVEY NO.

F.H.W.A. REGION	STATE	PROJECT NO.	SHEET NO.	TOTAL SHEETS	RECORD DRAWING
9	ARIZ.	010-E(210)S	20	44	

010 PM 260

● *Varies*- 10' Left at PC 839+43.64
 3.16' Rt at POC 852+55.50
 60' Left at PT 873+38.61



TYPICAL SECTION

*I-10 System Alternative 1
 Elevated Mainline
 Kolb West Gores to Kolb East Gores
 Shift I-10 (10' Left to 3.16' Rt to 60' Left)
 Med Sta PC 839+43.64 to Med Sta PT 873+38.61*

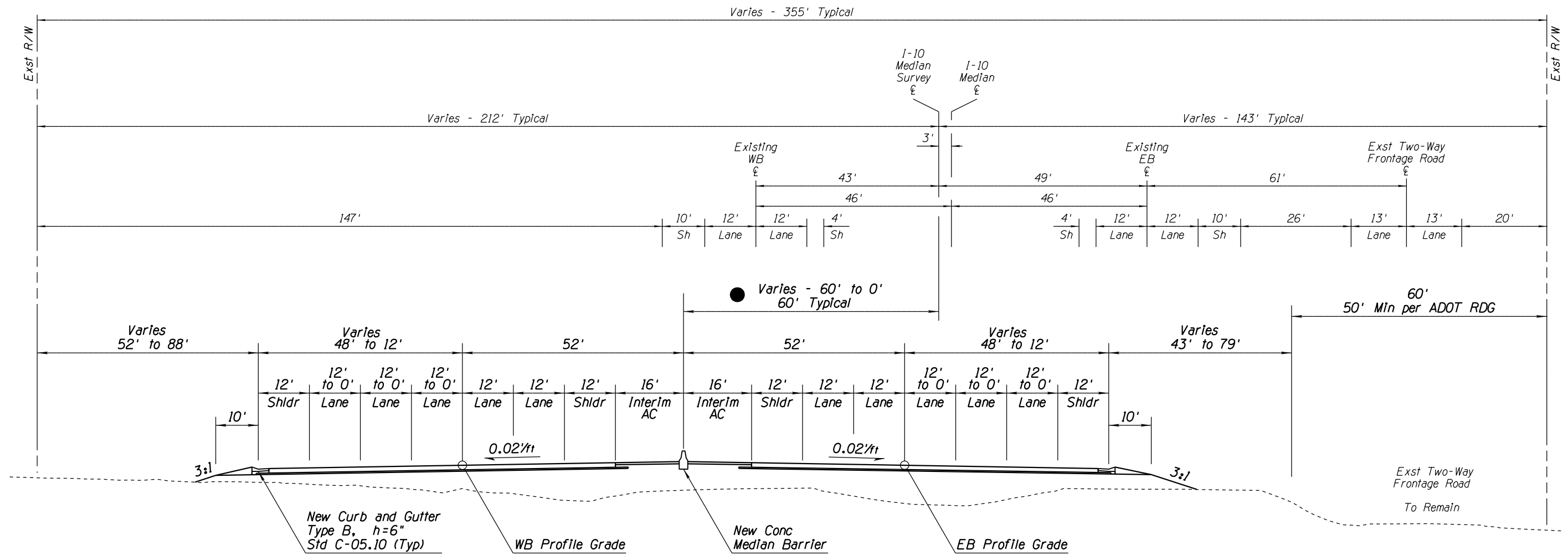
APPENDIX D

DESIGN	MKO/JBC	10-17	ARIZONA DEPARTMENT OF TRANSPORTATION INFRASTRUCTURE DELIVERY & OPERATIONS DIVISION ROADWAY DESIGN SERVICES	PRELIMINARY NOT FOR CONSTRUCTION OR RECORDING
DRAWN	SR/JLM	10-17		
CHECKED	PNB	12-17		
JACOBS			DESIGN SHEET I-10 SYSTEM ALT 1 TYPICAL SECTIONS	
ROUTE	LOCATION	I-10 - JCT. I-19 TO KOLB ROAD SR 210 - GOLF LINKS ROAD TO I-10		SHEET TYP-20
TRACS NO. H7825 OIL			010-E(210)S	OF

SURVEY NO. FINISHED PLANS. DATE REVISIONS. LOCATION. DATE

F.H.W.A. REGION	STATE	PROJECT NO.	SHEET NO.	TOTAL SHEETS	RECORD DRAWING
9	ARIZ.	010-E(210)S	21	44	

010 PM 260



● *Varies - 60' Left* PT 873+38.61 to PC 929+38.61
60' Left to 0' PC 929+38.61 to PT 947+39.83 (Connect Back to Existing)

TYPICAL SECTION
I-10 System Alternative 1
Elevated Mainline
Kolb East Gores to End
Shift I-10 60' Left to 0'
Med Sta PT 873+38.61 to Med Sta 945+39

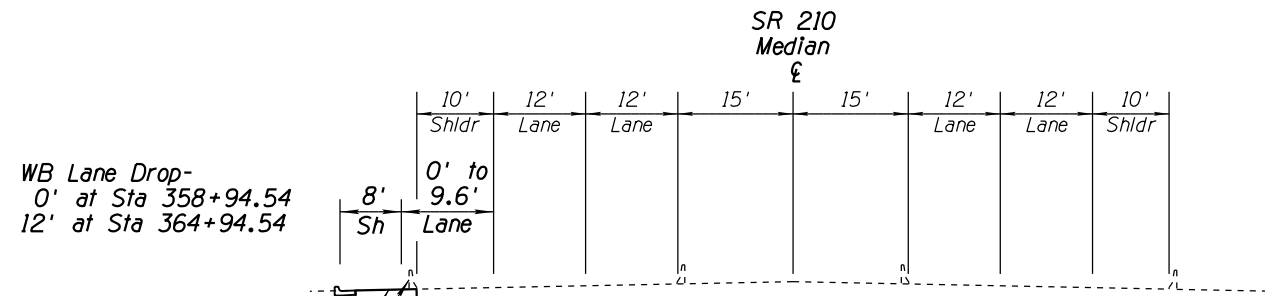
APPENDIX D

DESIGN	MKO/JBC	DATE	10-17	ARIZONA DEPARTMENT OF TRANSPORTATION INFRASTRUCTURE DELIVERY & OPERATIONS DIVISION ROADWAY DESIGN SERVICES	PRELIMINARY NOT FOR CONSTRUCTION OR RECORDING
DRAWN	SR/JLM	DATE	10-17		
CHECKED	PNB	DATE	12-17		
JACOBS		DESIGN SHEET I-10 SYSTEM ALT 1 TYPICAL SECTIONS		SHEET TYP-21	
ROUTE	I-10	LOCATION	I-10 - JCT. I-19 TO KOLB ROAD SR 210 - GOLF LINKS ROAD TO I-10		
TRACS NO.	H7825 OIL		010-E(210)S		OF

DATE- LOCATION- REVISIONS- FINISHED PLANS- SURVEY NO. DATE- LOCATION- REVISIONS- FINISHED PLANS- SURVEY NO.

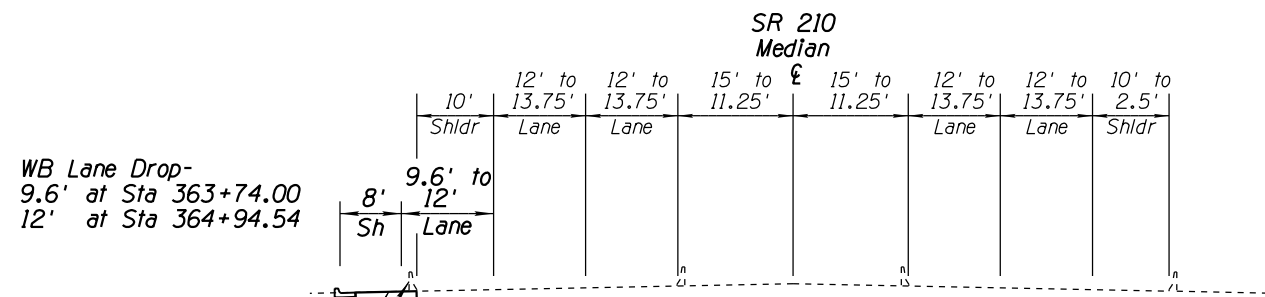
F.H.W.A. REGION	STATE	PROJECT NO.	SHEET NO.	TOTAL SHEETS	RECORD DRAWING
9	ARIZ.	010-E(210)S	22	44	

010 PM 260



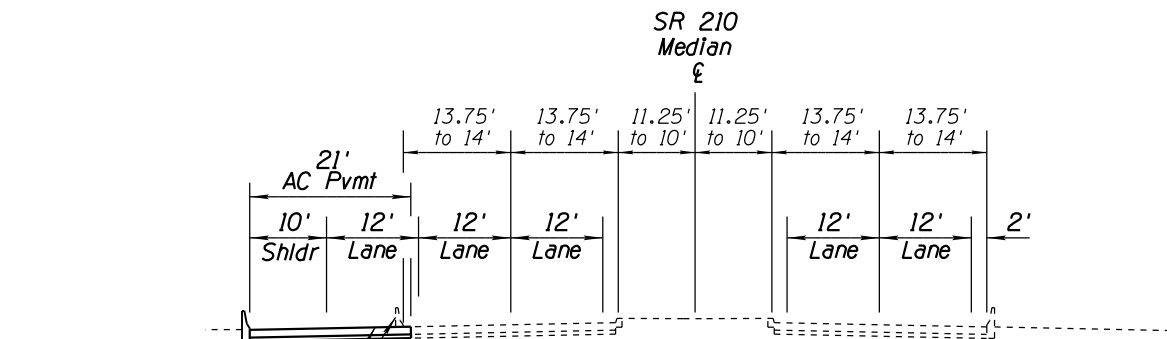
TYPICAL SECTION
SR 210
At-Grade Mainline
Tangent Section
Sta 368+66.00 to Sta 363+74.00

Remove AC Bikeway and Conc Half Barrier



TYPICAL SECTION
SR 210
At-Grade Mainline
Tangent Section
Sta 363+74.00 to Richey Blvd

Remove AC Bikeway and Conc Half Barrier



TYPICAL SECTION
SR 210
At-Grade Mainline
Tangent Section
Richey Blvd to Sta 368+66.00

Remove Conc Bikeway and Conc Half Barrier

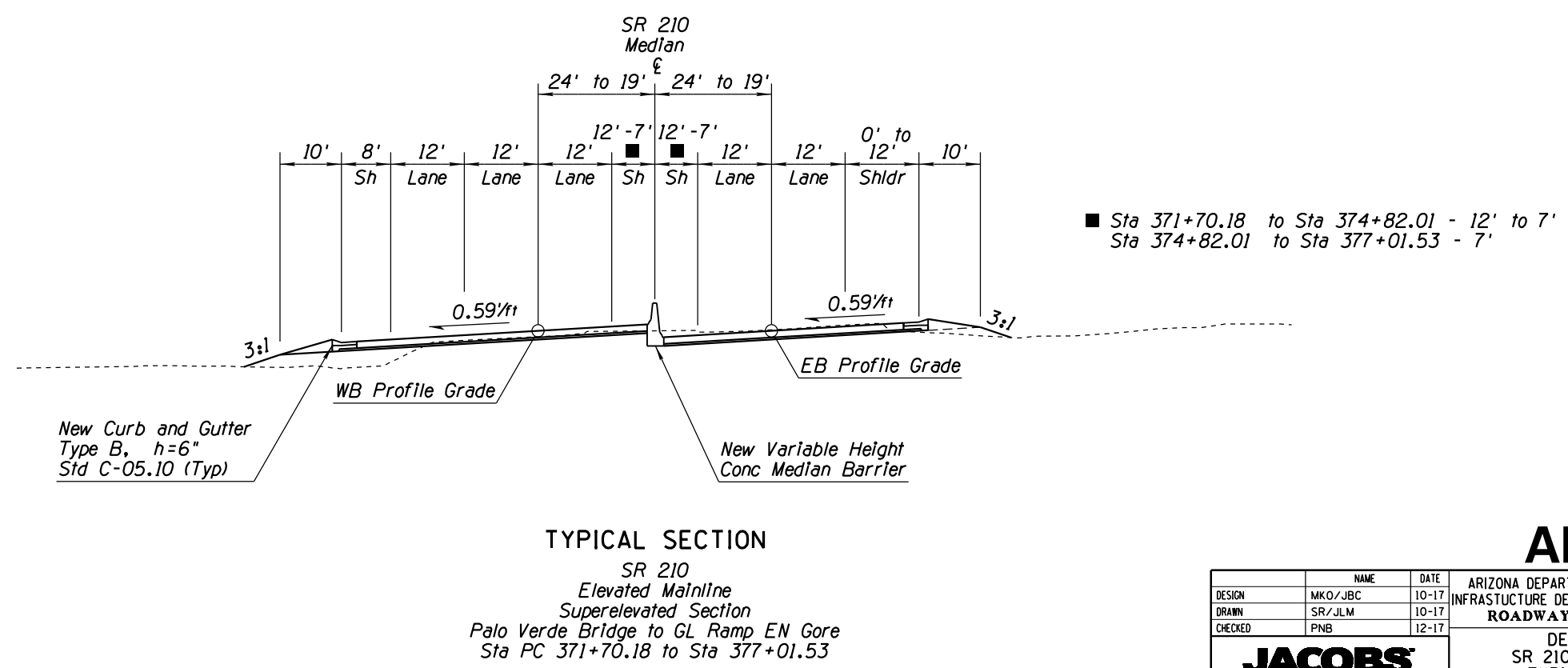
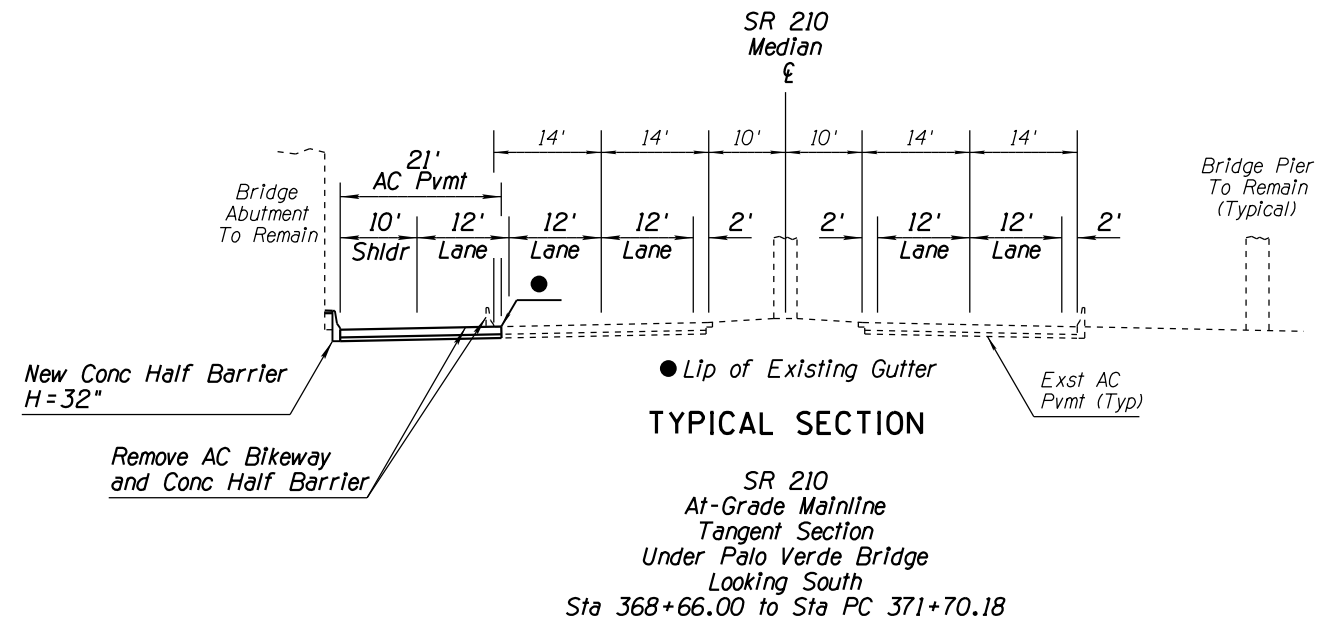
APPENDIX D

DESIGN	MKO/JBC	10-17	ARIZONA DEPARTMENT OF TRANSPORTATION INFRASTRUCTURE DELIVERY & OPERATIONS DIVISION ROADWAY DESIGN SERVICES	PRELIMINARY NOT FOR CONSTRUCTION OR RECORDING
DRAWN	SR/JLM	10-17		
CHECKED	PNB	12-17		
JACOBS			DESIGN SHEET SR 210 SYSTEM ALT 1 TYPICAL SECTIONS	
ROUTE	LOCATION	I-10 - JCT. I-19 TO KOLB ROAD SR 210 - GOLF LINKS ROAD TO I-10		SHEET TYP-22
TRACS NO. H7825 01L			010-E(210)S	OF

DATE- LOCATION- REVISIONS- FINISHED PLANS- SURVEY NO. DATE- LOCATION- REVISIONS- FINISHED PLANS- SURVEY NO.

F.H.W.A. REGION	STATE	PROJECT NO.	SHEET NO.	TOTAL SHEETS	RECORD DRAWING
9	ARIZ.	010-E(210)S	23	44	

010 PM 260



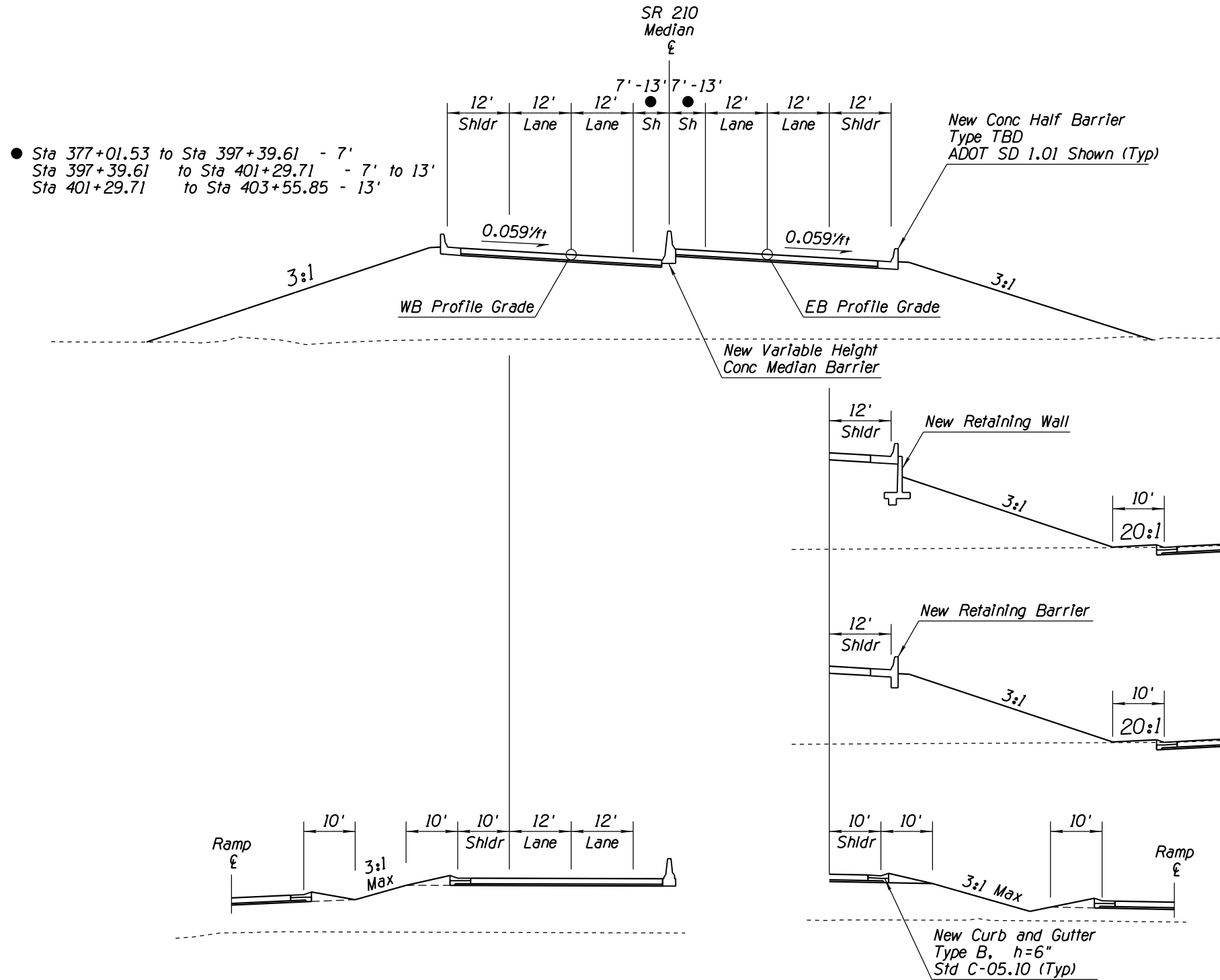
APPENDIX D

DESIGN	MKO/JBC	10-17	ARIZONA DEPARTMENT OF TRANSPORTATION INFRASTRUCTURE DELIVERY & OPERATIONS DIVISION ROADWAY DESIGN SERVICES	PRELIMINARY NOT FOR CONSTRUCTION OR RECORDING
DRAWN	SR/JLM	10-17		
CHECKED	PNB	12-17		
JACOBS			DESIGN SHEET SR 210 SYSTEM ALT 1 TYPICAL SECTIONS	
ROUTE	LOCATION	I-10 - JCT. I-19 TO KOLB ROAD SR 210 - GOLF LINKS ROAD TO I-10		SHEET TYP-23
TRACS NO.	H7825 01L	010-E(210)S		OF

SURVEY NO. FINISHED PLANS LOCATION DATE REVISIONS FINISHED PLANS SURVEY NO. LOCATION DATE REVISIONS FINISHED PLANS SURVEY NO.

F.H.W.A. REGION	STATE	PROJECT NO.	SHEET NO.	TOTAL SHEETS	RECORD DRAWING
9	ARIZ.	010-E(210)S	24	44	

010 PM 260



TYPICAL SECTION
 SR 210
 Elevated Mainline
 Superelevated Section
 GL Ramp EN Gore to GL Ramp WN Gore
 Sta 377+01.53 to Sta 403+55.85

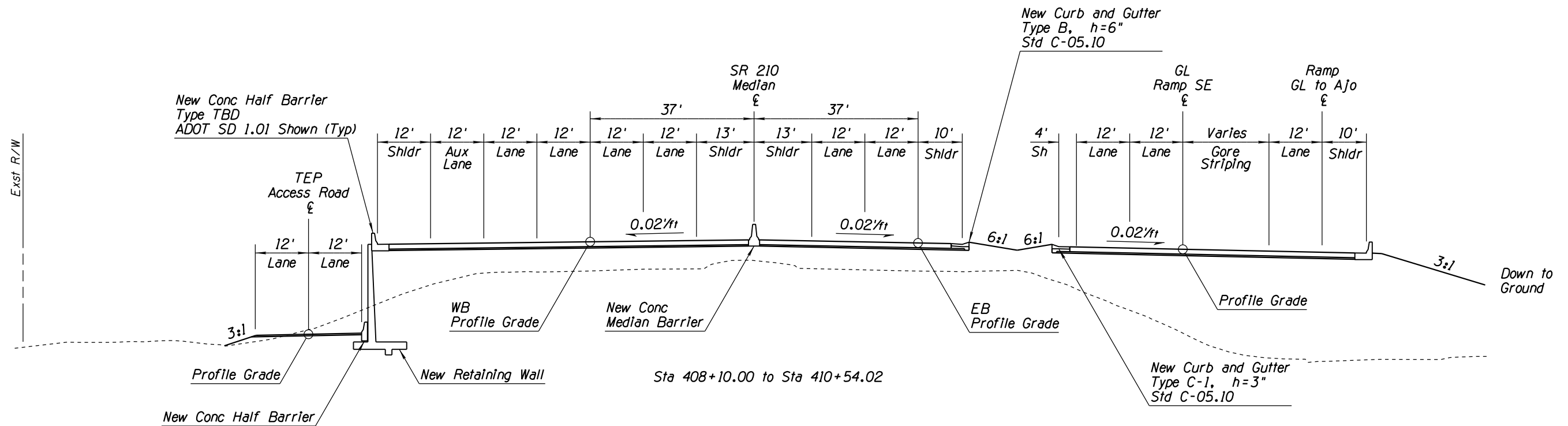
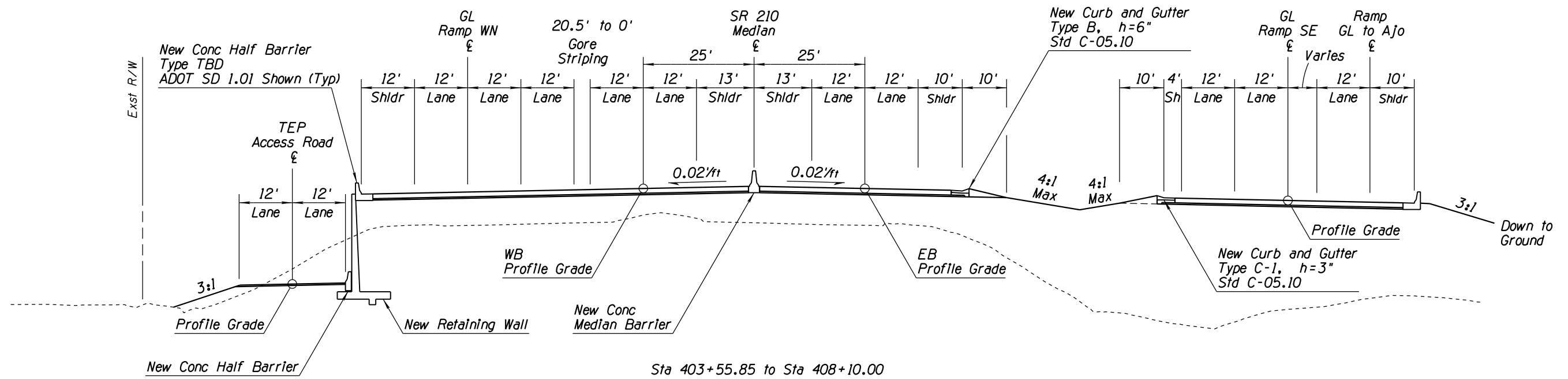
APPENDIX D

DESIGN	MKO/JBC	10-17	ARIZONA DEPARTMENT OF TRANSPORTATION INFRASTRUCTURE DELIVERY & OPERATIONS DIVISION ROADWAY DESIGN SERVICES	PRELIMINARY NOT FOR CONSTRUCTION OR RECORDING
DRAWN	SR/JLM	10-17		
CHECKED	PNB	12-17		
JACOBS			DESIGN SHEET SR 210 SYSTEM ALT 1 TYPICAL SECTIONS	
ROUTE	LOCATION	I-10 - JCT. I-19 TO KOLB ROAD SR 210 - GOLF LINKS ROAD TO I-10		SHEET TYP-24
TRACS NO.	H7825 OIL	010-E(210)S		OF

DATE LOCATION REVISIONS SURVEY NO. DATE LOCATION REVISIONS SURVEY NO.

F.H.W.A. REGION	STATE	PROJECT NO.	SHEET NO.	TOTAL SHEETS	RECORD DRAWING
9	ARIZ.	010-E(210)S	25	44	

010 PM 260



TYPICAL SECTION
 SR 210
 Elevated Mainline
 Tangent Section
 GL Ramp WN Gore to GL Ramp SE
 Sta 403+55.85 to Sta 410+54.02

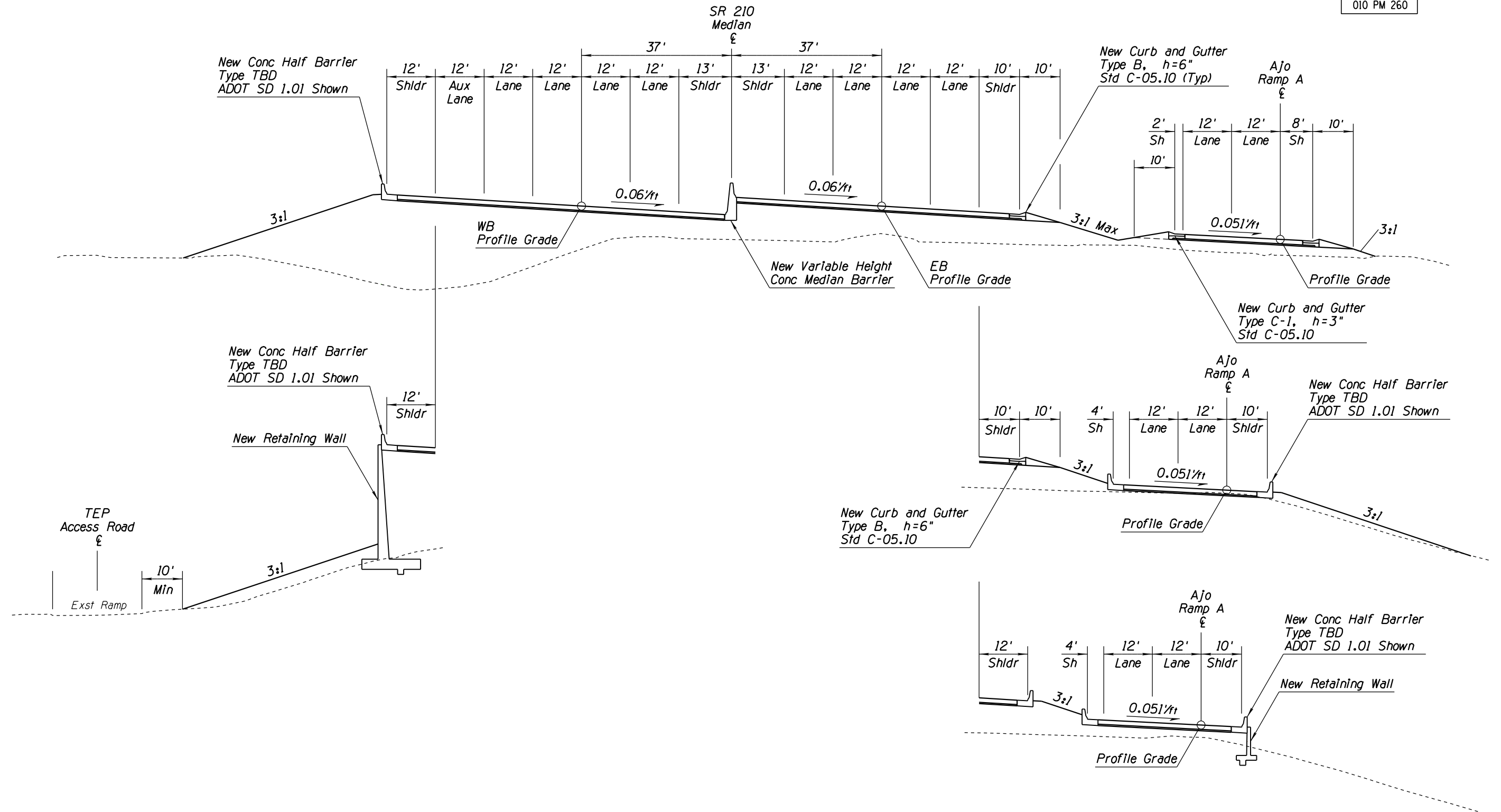
APPENDIX D

DESIGN	MKO/JBC	10-17	ARIZONA DEPARTMENT OF TRANSPORTATION INFRASTRUCTURE DELIVERY & OPERATIONS DIVISION ROADWAY DESIGN SERVICES	PRELIMINARY NOT FOR CONSTRUCTION OR RECORDING
DRAWN	SR/JLM	10-17		
CHECKED	PNB	12-17		
JACOBS			DESIGN SHEET SR 210 SYSTEM ALT 1 TYPICAL SECTIONS	SHEET TYP-25
ROUTE	SR 210	LOCATION	I-10 - JCT. I-19 TO KOLB ROAD SR 210 - GOLF LINKS ROAD TO I-10	
TRACS NO.	H7825 OIL		010-E(210)S	OF

SURVEY NO. FINISHED PLANS. DATE REVISIONS. LOCATION. DATE

F.H.W.A. REGION	STATE	PROJECT NO.	SHEET NO.	TOTAL SHEETS	RECORD DRAWING
9	ARIZ.	010-E(210)S	26	44	

010 PM 260



TYPICAL SECTION
 SR 210
 Elevated Mainline
 Superelevated Section
 GL Ramp SE Gore to UPRR
 Sta 410+54.02 to Sta 432+50

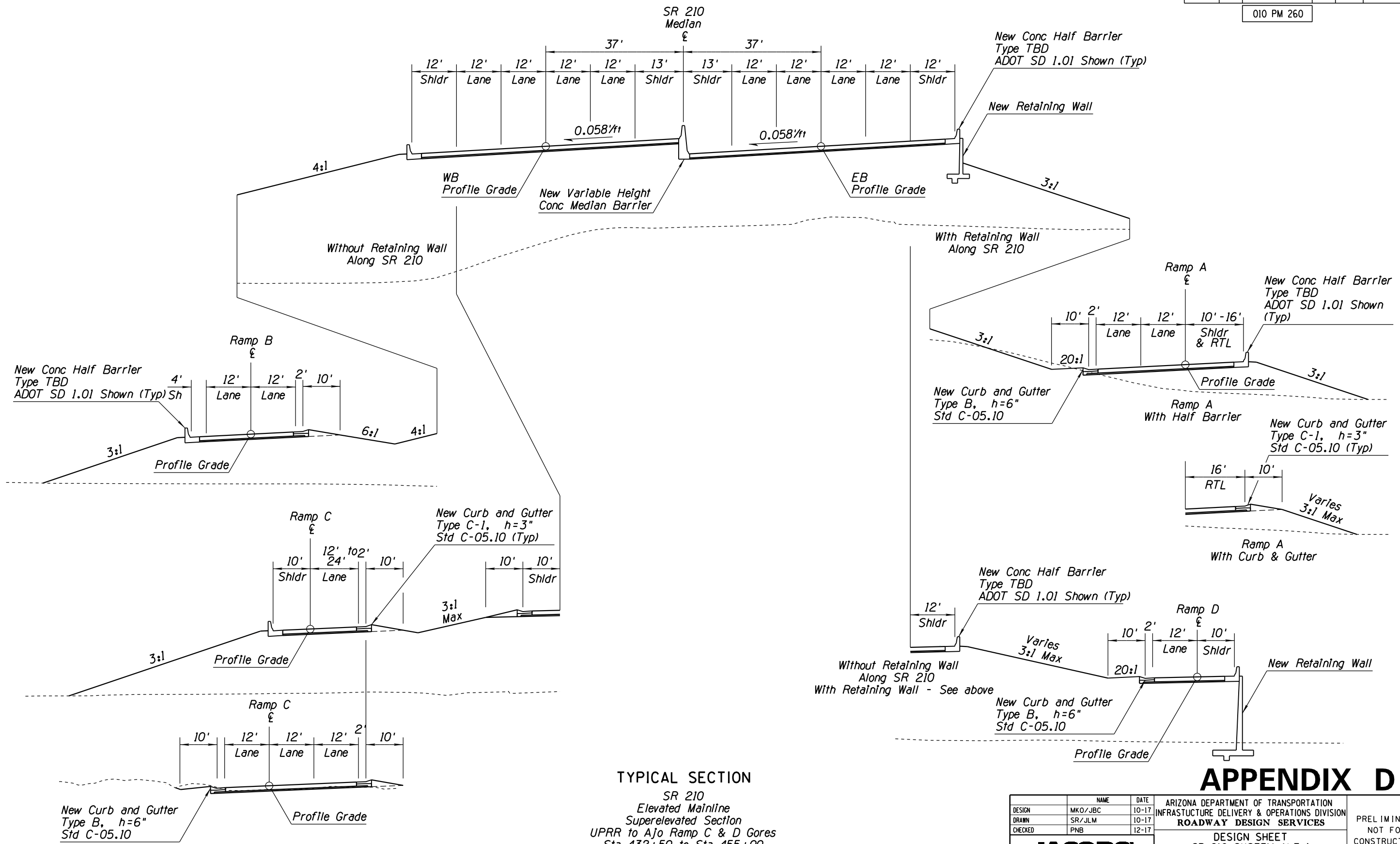
APPENDIX D

DESIGN	MKO/JBC	10-17	ARIZONA DEPARTMENT OF TRANSPORTATION INFRASTRUCTURE DELIVERY & OPERATIONS DIVISION ROADWAY DESIGN SERVICES	PRELIMINARY NOT FOR CONSTRUCTION OR RECORDING
DRAWN	SR/JLM	10-17		
CHECKED	PNB	12-17		
JACOBS			DESIGN SHEET SR 210 SYSTEM ALT 1 TYPICAL SECTIONS	SHEET TYP-26
ROUTE	SR 210	LOCATION	I-10 - JCT. I-19 TO KOLB ROAD SR 210 - GOLF LINKS ROAD TO I-10	
TRACS NO.	H7825 OIL		010-E(210)S	OF

SURVEY NO. FINISHED PLANS DATE REVISIONS LOCATION DATE REVISIONS FINISHED PLANS DATE SURVEY NO.

F.H.W.A. REGION	STATE	PROJECT NO.	SHEET NO.	TOTAL SHEETS	RECORD DRAWING
9	ARIZ.	010-E(210)S	27	44	

010 PM 260



TYPICAL SECTION
 SR 210
 Elevated Mainline
 Superelevated Section
 UPRR to Ajo Ramp C & D Gores
 Sta 432+50 to Sta 455+00

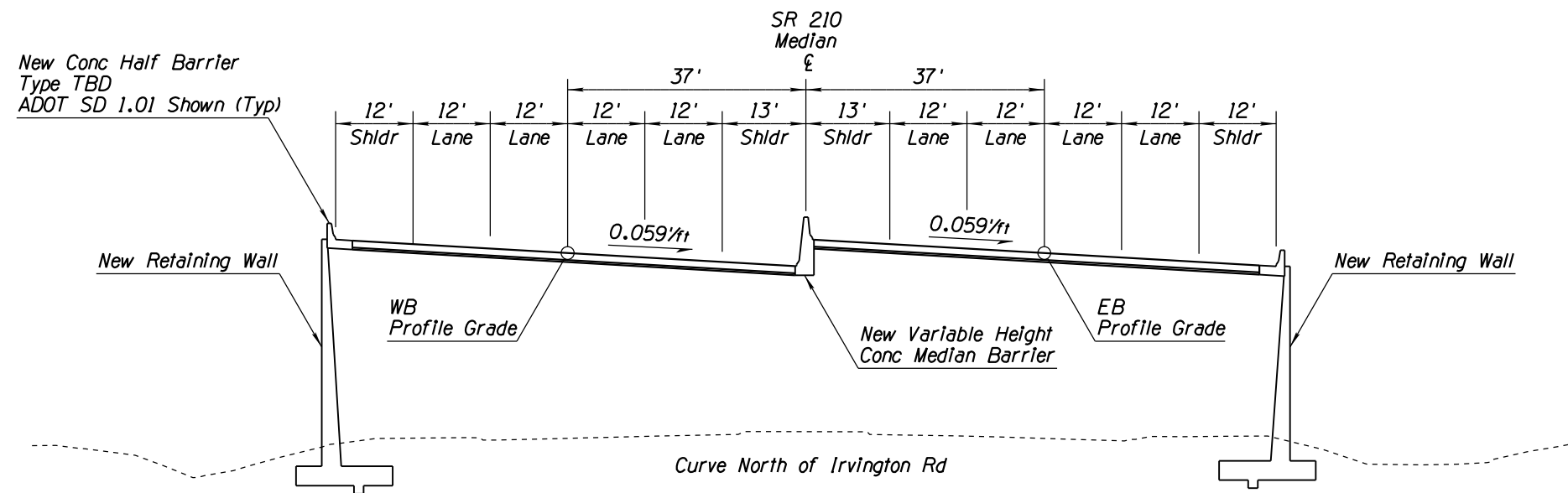
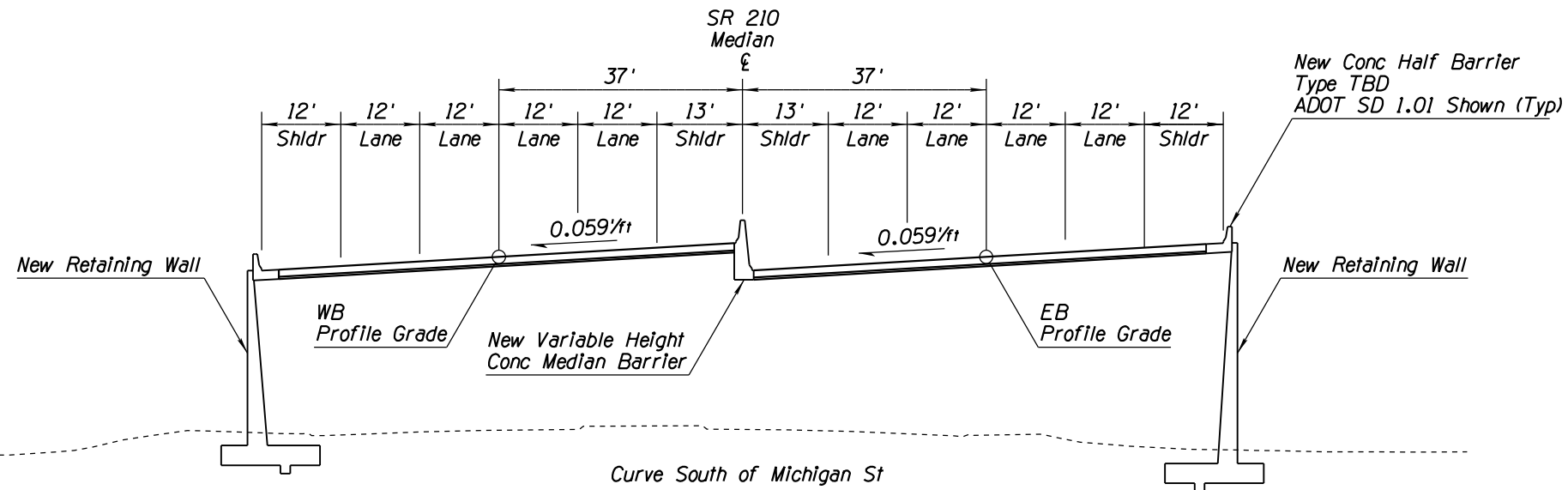
APPENDIX D

DESIGN	MKO/JBC	DATE	10-17	ARIZONA DEPARTMENT OF TRANSPORTATION INFRASTRUCTURE DELIVERY & OPERATIONS DIVISION ROADWAY DESIGN SERVICES	PRELIMINARY NOT FOR CONSTRUCTION OR RECORDING
DRAWN	SR/JLM	DATE	10-17		
CHECKED	PNB	DATE	12-17		
JACOBS				DESIGN SHEET SR 210 SYSTEM ALT 1 TYPICAL SECTIONS	
ROUTE	SR 210	LOCATION	I-10 - JCT. I-19 TO KOLB ROAD SR 210 - GOLF LINKS ROAD TO I-10		SHEET TYP-27
TRACS NO. H7825 OIL			010-E(210)S		OF

SURVEY NO. FINISHED PLANS. DATE. REVISIONS. LOCATION. DATE. REVISIONS. FINISHED PLANS. DATE. SURVEY NO.

F.H.W.A. REGION	STATE	PROJECT NO.	SHEET NO.	TOTAL SHEETS	RECORD DRAWING
9	ARIZ.	010-E(210)S	28	44	

010 PM 260



TYPICAL SECTION
 SR 210
 Elevated Mainline
 Superelevated Sections
 Ajo Ramp C & D Gores to Irvington Rd

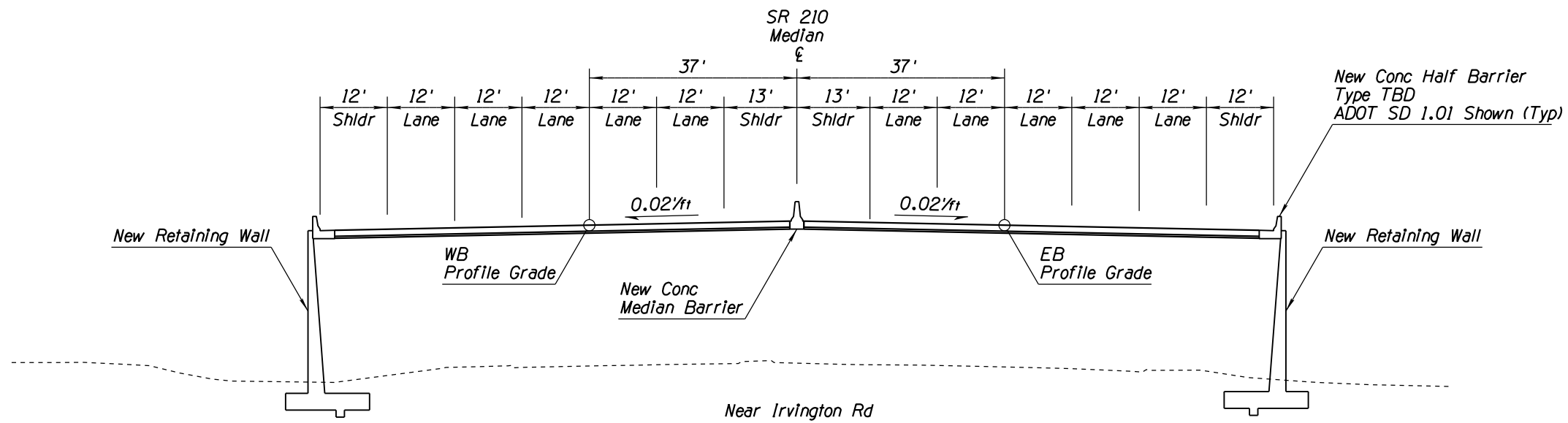
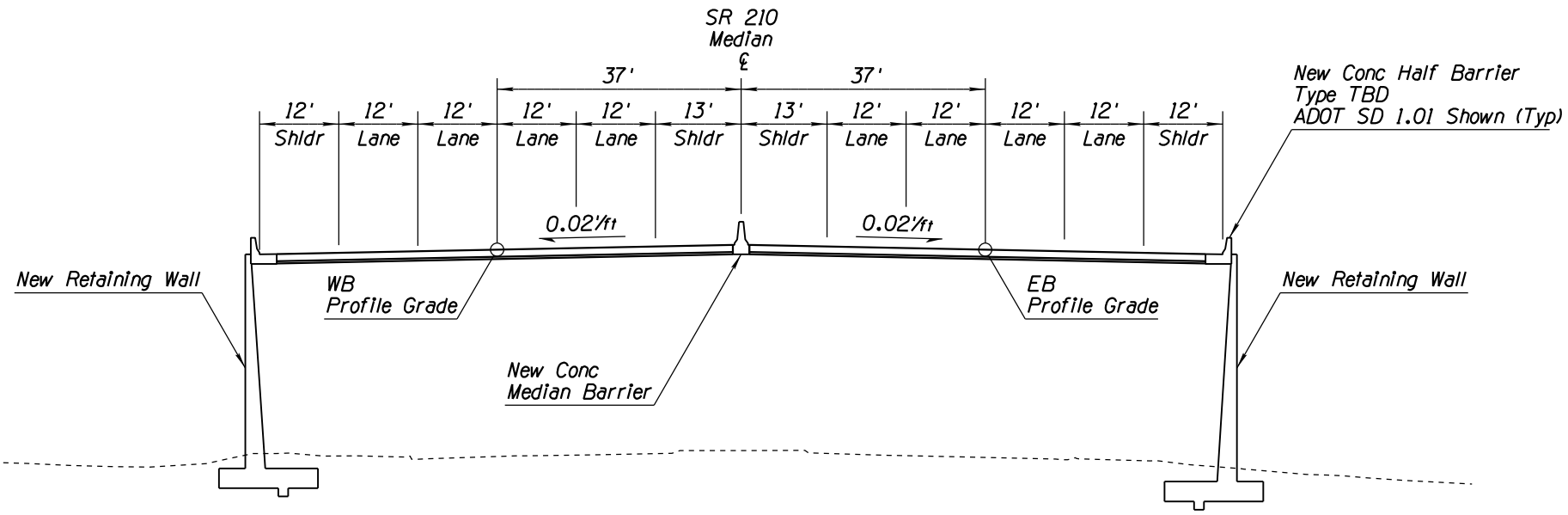
APPENDIX D

DESIGN	MKO/JBC	DATE	10-17	ARIZONA DEPARTMENT OF TRANSPORTATION INFRASTRUCTURE DELIVERY & OPERATIONS DIVISION ROADWAY DESIGN SERVICES	PRELIMINARY NOT FOR CONSTRUCTION OR RECORDING
DRAWN	SR/JLM	DATE	10-17		
CHECKED	PNB	DATE	12-17		
JACOBS			DESIGN SHEET SR 210 SYSTEM ALT 1 TYPICAL SECTIONS		SHEET TYP-28
ROUTE	SR 210	LOCATION	I-10 - JCT. I-19 TO KOLB ROAD SR 210 - GOLF LINKS ROAD TO I-10		
TRACS NO. H7825 01L			010-E(210)S		OF

SURVEY NO. FINISHED PLANS REVISIONS LOCATION DATE

F.H.W.A. REGION	STATE	PROJECT NO.	SHEET NO.	TOTAL SHEETS	RECORD DRAWING
9	ARIZ.	010-E(210)S	29	44	

010 PM 260



TYPICAL SECTION
 SR 210
 Elevated Mainline
 Tangent Sections
 Ajo Ramp C & D Gores to Irvington Rd
 Sta 455+00 to Sta 490+00

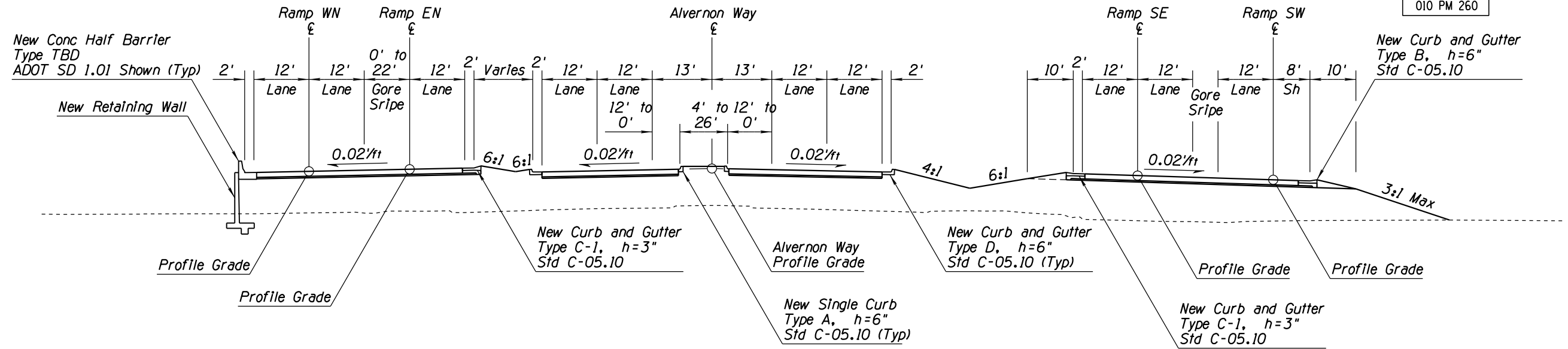
APPENDIX D

DESIGN	MKO/JBC	DATE	10-17	ARIZONA DEPARTMENT OF TRANSPORTATION INFRASTRUCTURE DELIVERY & OPERATIONS DIVISION ROADWAY DESIGN SERVICES	PRELIMINARY NOT FOR CONSTRUCTION OR RECORDING
DRAWN	SR/JLM	DATE	10-17		
CHECKED	PNB	DATE	12-17		
JACOBS		DESIGN SHEET SR 210 SYSTEM ALT 1 TYPICAL SECTIONS		SHEET TYP-29	
ROUTE	SR 210	LOCATION	I-10 - JCT. I-19 TO KOLB ROAD SR 210 - GOLF LINKS ROAD TO I-10		
TRACS NO. H7825 01L		010-E(210)S		OF	

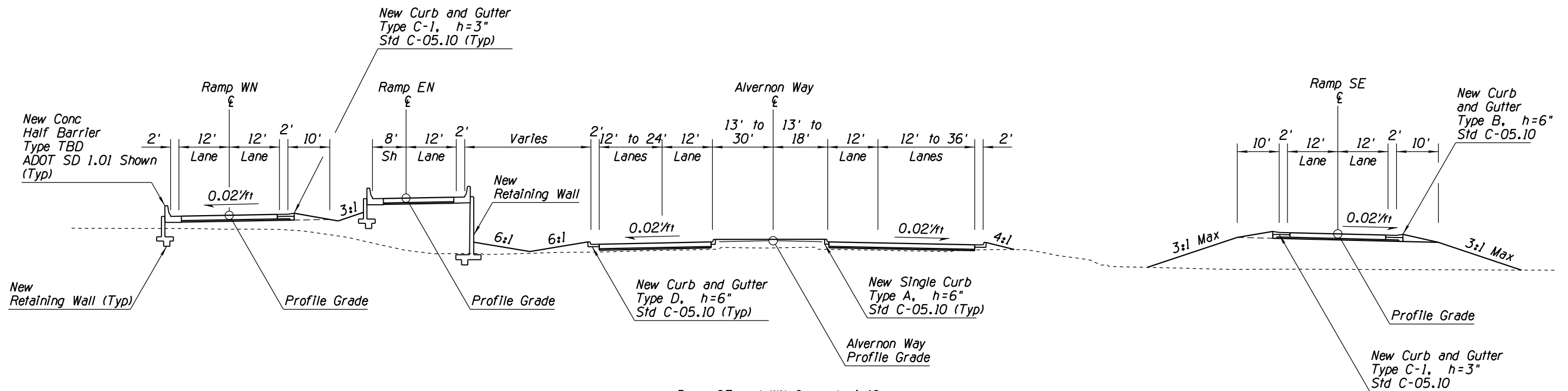
DATE LOCATION REVISIONS FINISHED PLANS SURVEY NO. DATE LOCATION REVISIONS FINISHED PLANS SURVEY NO.

F.H.W.A. REGION	STATE	PROJECT NO.	SHEET NO.	TOTAL SHEETS	RECORD DRAWING
9	ARIZ.	010-E(210)S	30	44	

010 PM 260



Irvington to Ramp SE and WN Gores



Ramp SE and WN Gores to I-10

TYPICAL SECTION
 SR 210
 Elevated Mainline
 Tangent Sections
 Irvington Rd to I-10
 Sta 490+00 to Sta 505+00

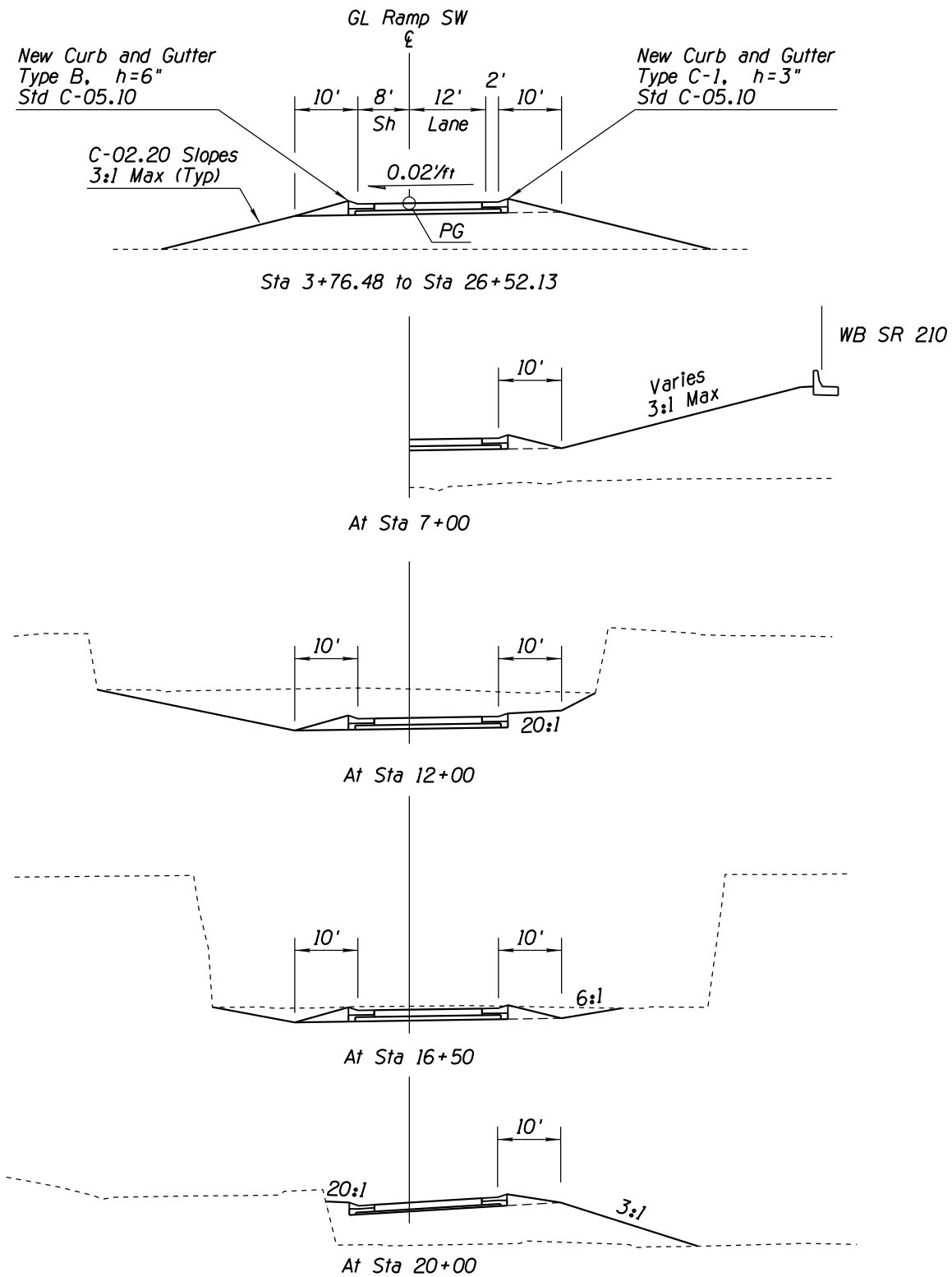
APPENDIX D

DESIGN	MKO/JBC	DATE	10-17	ARIZONA DEPARTMENT OF TRANSPORTATION INFRASTRUCTURE DELIVERY & OPERATIONS DIVISION ROADWAY DESIGN SERVICES	PRELIMINARY NOT FOR CONSTRUCTION OR RECORDING
DRAWN	SR/JLM	DATE	10-17		
CHECKED	PNB	DATE	12-17		
JACOBS				DESIGN SHEET SR 210 SYSTEM ALT 1 TYPICAL SECTIONS	
ROUTE	SR 210	LOCATION	I-10 - JCT. I-19 TO KOLB ROAD SR 210 - GOLF LINKS ROAD TO I-10		SHEET TYP-30
TRACS NO. H7825 OIL			010-E(210)S		OF

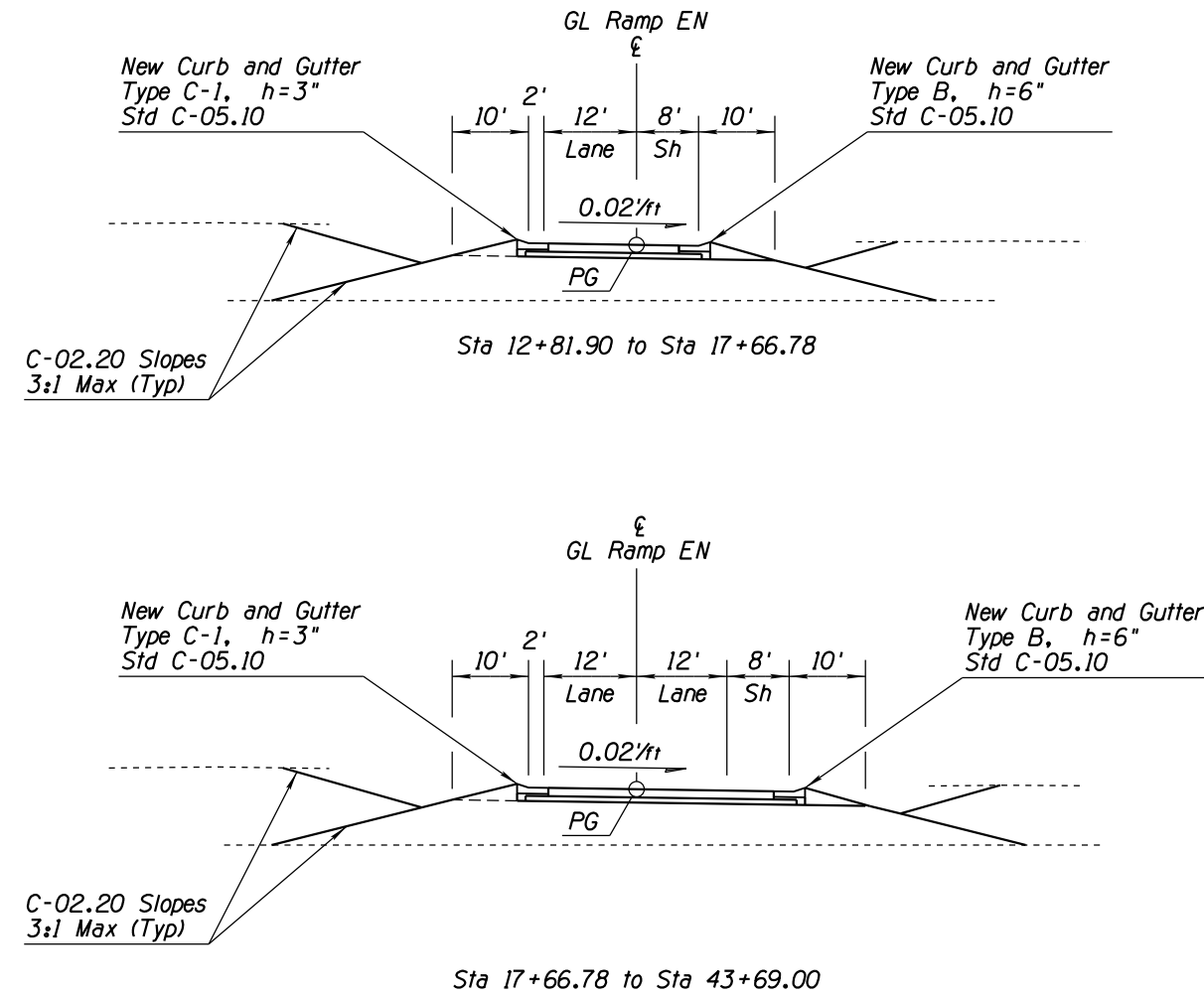
DATE: _____ LOCATION: _____ REVISIONS: _____ FINISHED PLANS: _____ SURVEY NO.: _____ DATE: _____ LOCATION: _____ REVISIONS: _____ FINISHED PLANS: _____ SURVEY NO.: _____

F.H.W.A. REGION	STATE	PROJECT NO.	SHEET NO.	TOTAL SHEETS	RECORD DRAWING
9	ARIZ.	010-E(210)S	31	44	

010 PM 260



SR 210 RAMP
TYPICAL SECTIONS
GL Ramp SW



SR 210 RAMP
TYPICAL SECTIONS
GL Ramp EN

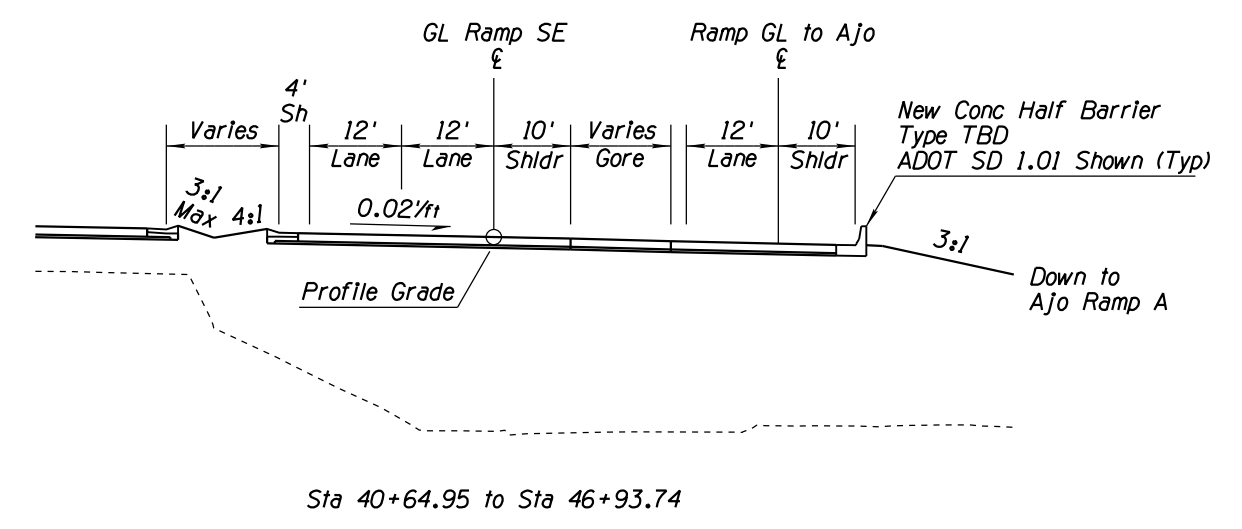
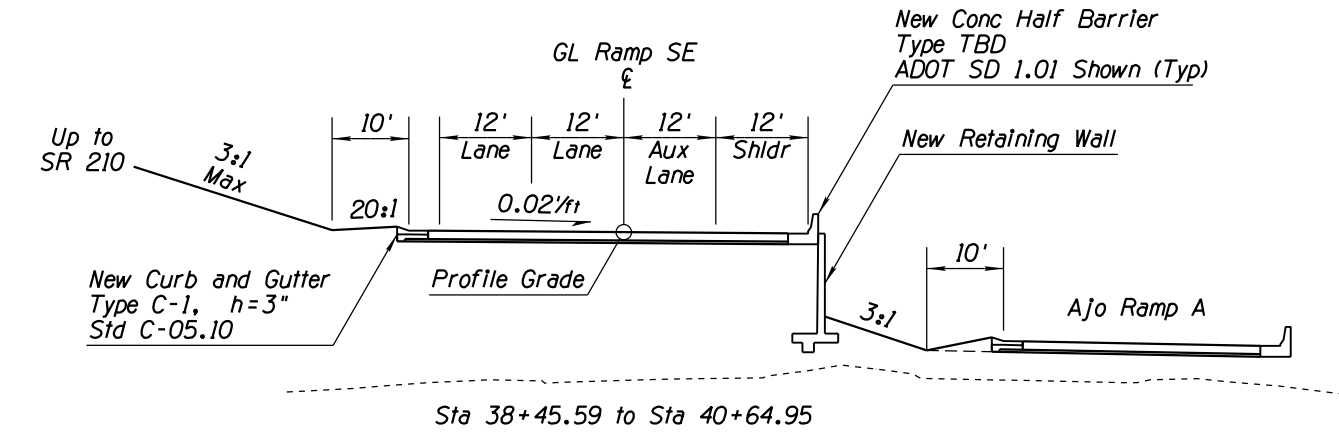
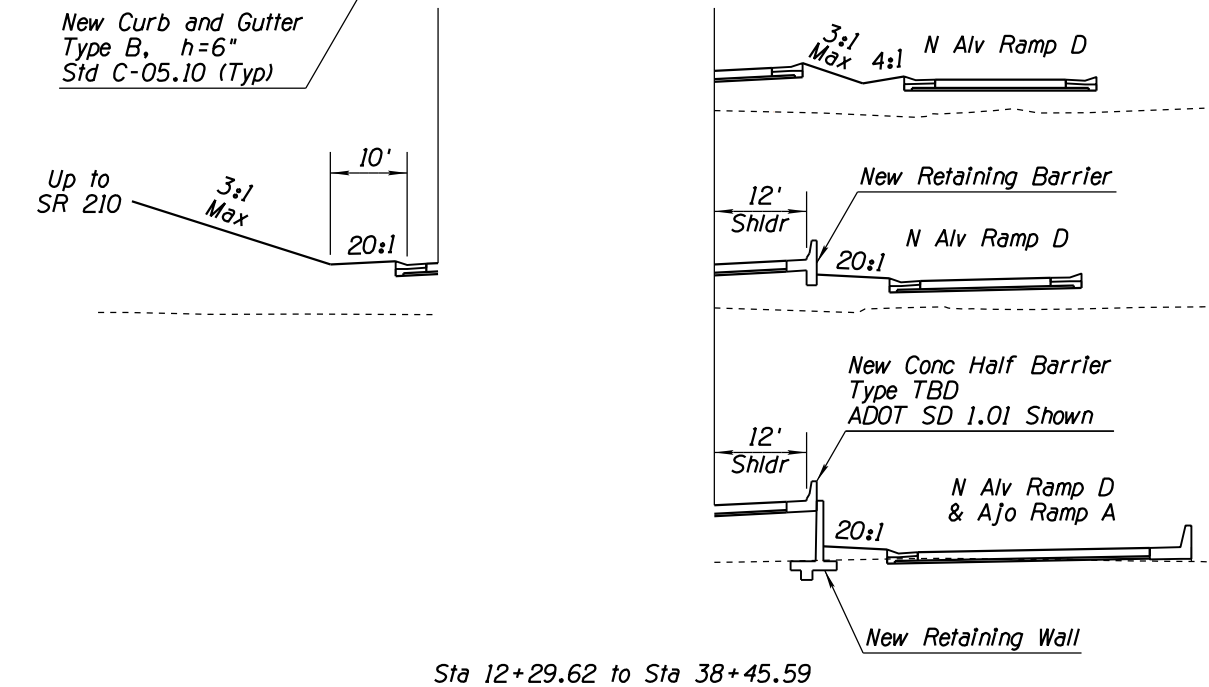
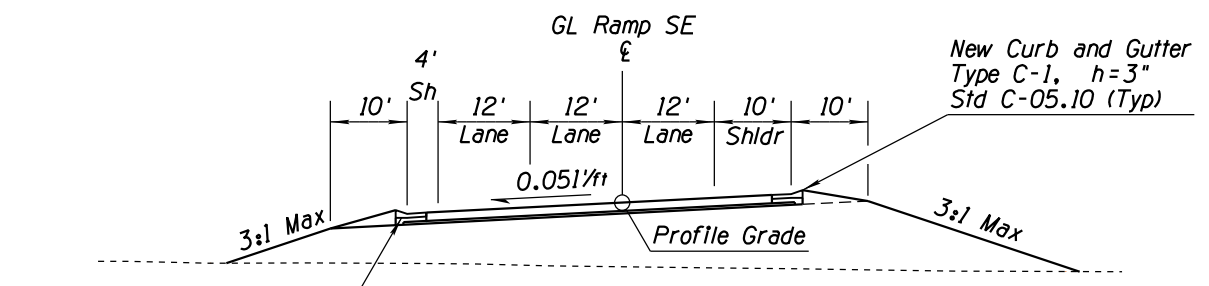
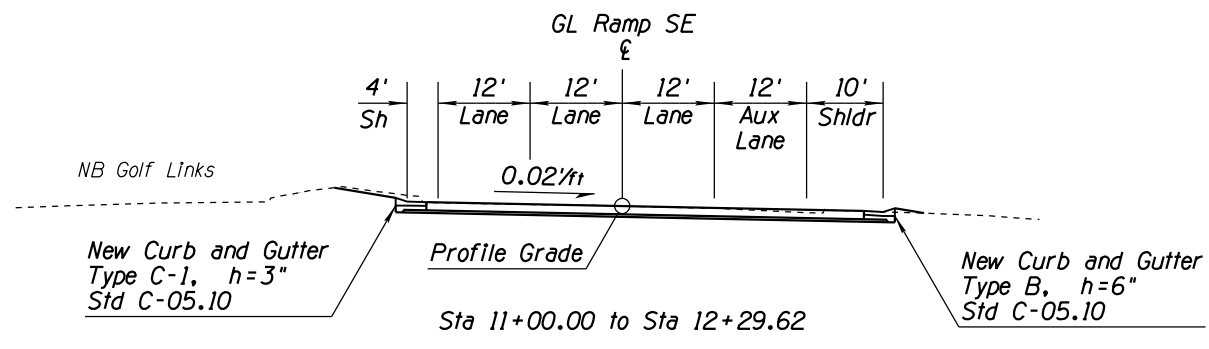
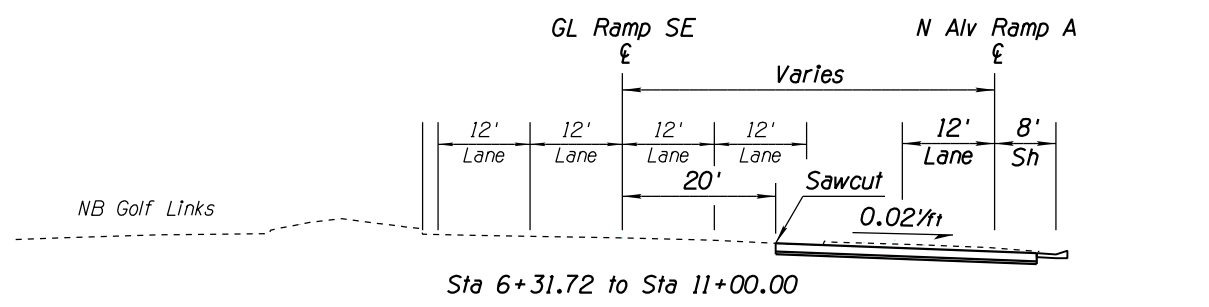
APPENDIX D

DESIGN	MKO/JBC	10-17	ARIZONA DEPARTMENT OF TRANSPORTATION INFRASTRUCTURE DELIVERY & OPERATIONS DIVISION ROADWAY DESIGN SERVICES	PRELIMINARY NOT FOR CONSTRUCTION OR RECORDING
DRAWN	SR/JLM	10-17		
CHECKED	PNB	12-17		
JACOBS			DESIGN SHEET SR 210 SYSTEM ALT 1 TYPICAL SECTIONS	
ROUTE	LOCATION	I-10 - JCT. I-19 TO KOLB ROAD SR 210 - GOLF LINKS ROAD TO I-10		SHEET TYP-31
TRACS NO.	H7825 OIL	010-E(210)S		OF

DATE LOCATION REVISIONS FINISHED PLANS SURVEY NO. DATE LOCATION REVISIONS FINISHED PLANS SURVEY NO.

F.H.W.A. REGION	STATE	PROJECT NO.	SHEET NO.	TOTAL SHEETS	RECORD DRAWING
9	ARIZ.	010-E(210)S	32	44	

010 PM 260



SR 210 RAMP
TYPICAL SECTIONS
GL Ramp SE

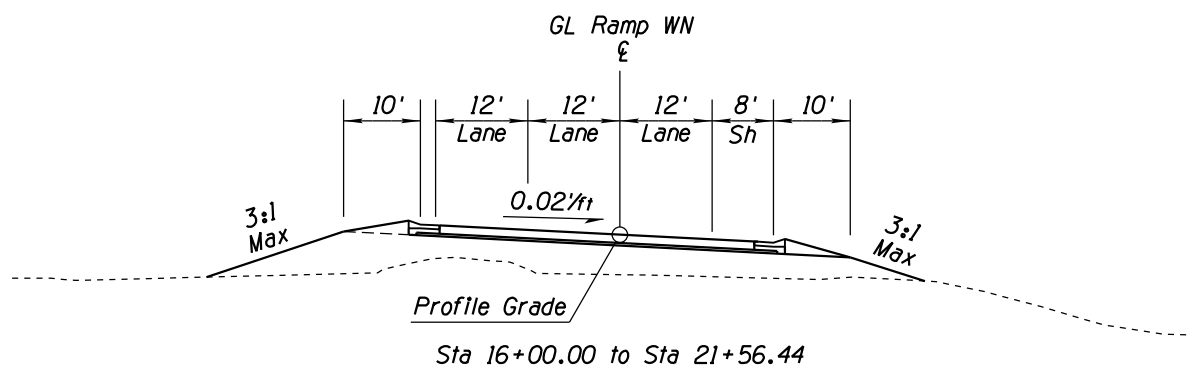
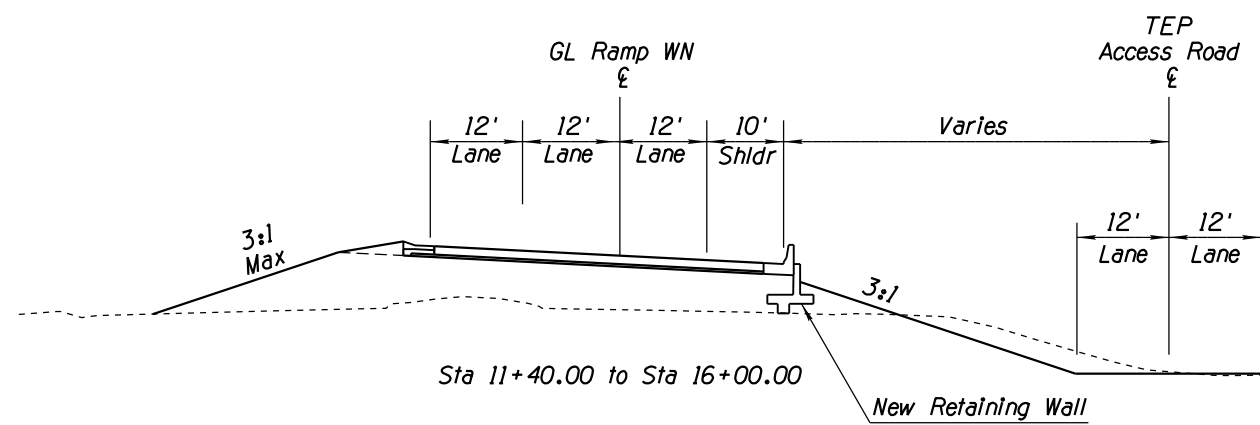
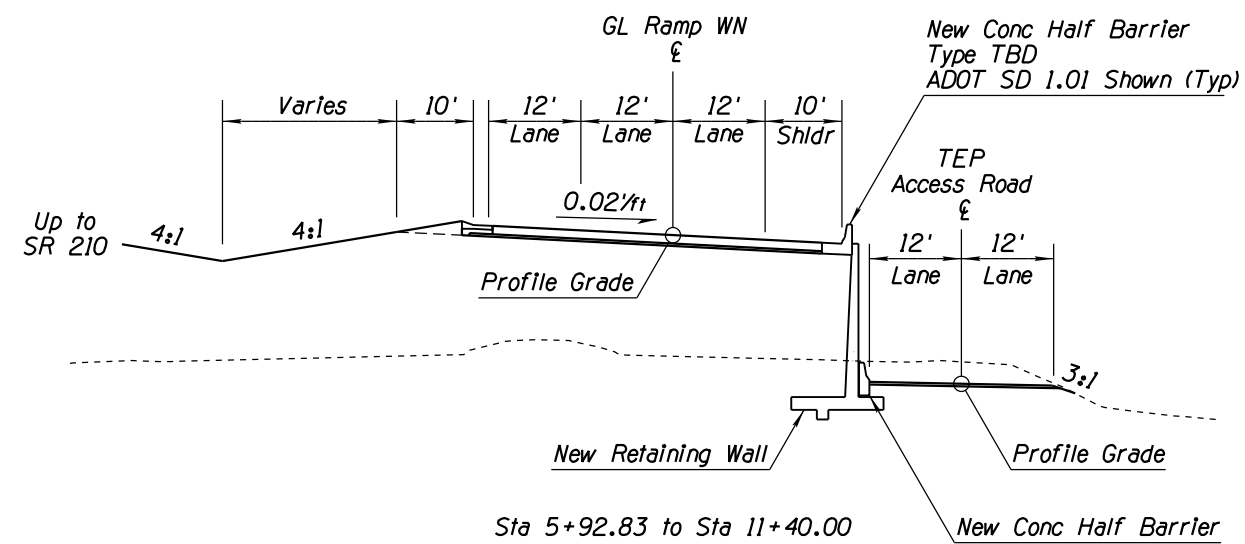
APPENDIX D

DESIGN	MKO/JBC	10-17	ARIZONA DEPARTMENT OF TRANSPORTATION INFRASTRUCTURE DELIVERY & OPERATIONS DIVISION ROADWAY DESIGN SERVICES	PRELIMINARY NOT FOR CONSTRUCTION OR RECORDING
DRAWN	SR/JLM	10-17		
CHECKED	PNB	12-17		
JACOBS			DESIGN SHEET SR 210 SYSTEM ALT 1 TYPICAL SECTIONS	SHEET TYP-32
ROUTE	SR 210	LOCATION	I-10 - JCT. I-19 TO KOLB ROAD SR 210 - GOLF LINKS ROAD TO I-10	
TRACS NO.	H7825 OIL		010-E(210)S	OF

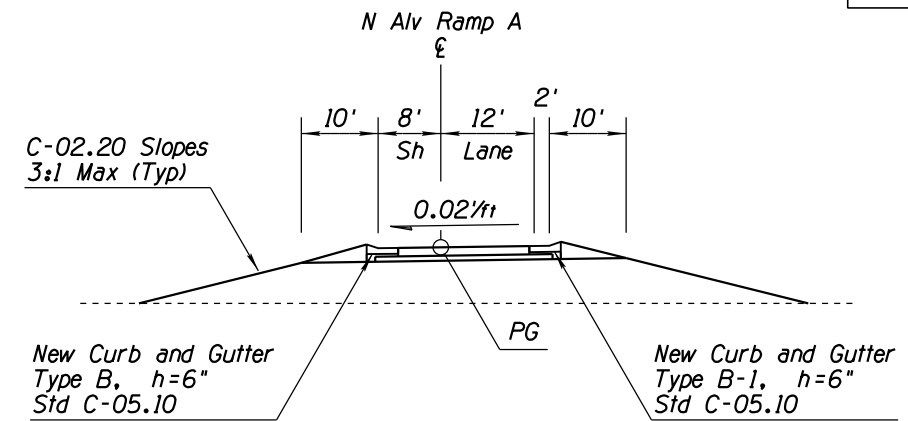
DATE: LOCATION: REVISIONS: FINISHED PLANS: SURVEY NO. DATE: LOCATION: REVISIONS: FINISHED PLANS: SURVEY NO.

F.H.W.A. REGION	STATE	PROJECT NO.	SHEET NO.	TOTAL SHEETS	RECORD DRAWING
9	ARIZ.	010-E(210)S	33	44	

010 PM 260



SR 210 RAMP
TYPICAL SECTIONS
GL Ramp WN
Sta 5+92.83 to Sta 21+56.44



Sta 1+28.65 to Sta 2+32.57

SR 210 RAMP
TYPICAL SECTIONS
N Alv Ramp A

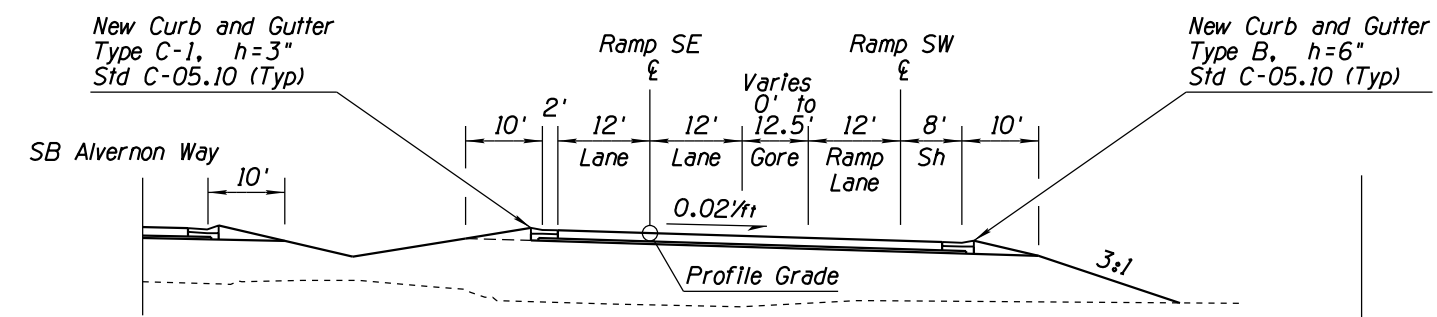
APPENDIX D

DESIGN	MKO/JBC	10-17	ARIZONA DEPARTMENT OF TRANSPORTATION INFRASTRUCTURE DELIVERY & OPERATIONS DIVISION ROADWAY DESIGN SERVICES	PRELIMINARY NOT FOR CONSTRUCTION OR RECORDING
DRAWN	SR/JLM	10-17		
CHECKED	PNB	12-17		
JACOBS			DESIGN SHEET SR 210 SYSTEM ALT 1 TYPICAL SECTIONS	
ROUTE	SR 210	LOCATION	I-10 - JCT. I-19 TO KOLB ROAD SR 210 - GOLF LINKS ROAD TO I-10	SHEET TYP-33
TRACS NO.	H7825 OIL		010-E(210)S	OF

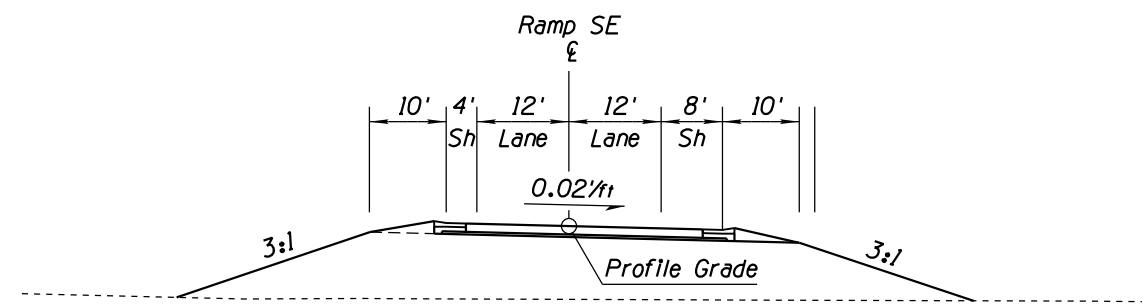
SURVEY NO. FINISHED PLANS DATE REVISIONS LOCATION DATE

F.H.W.A. REGION	STATE	PROJECT NO.	SHEET NO.	TOTAL SHEETS	RECORD DRAWING
9	ARIZ.	010-E(210)S	34	44	

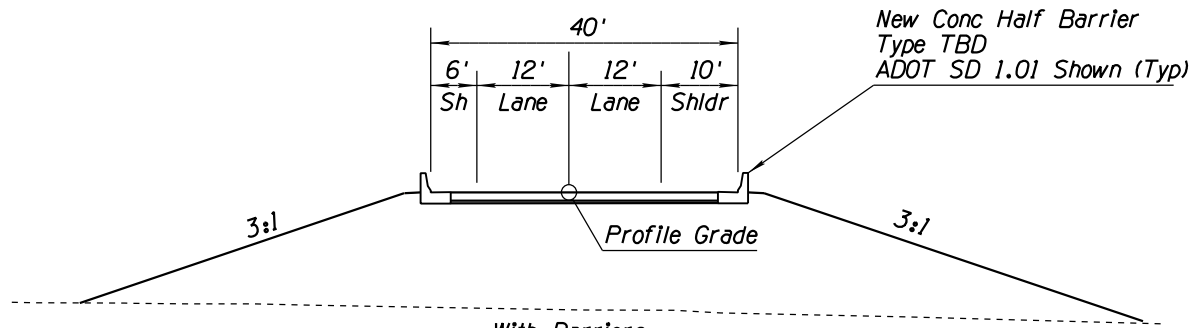
010 PM 260



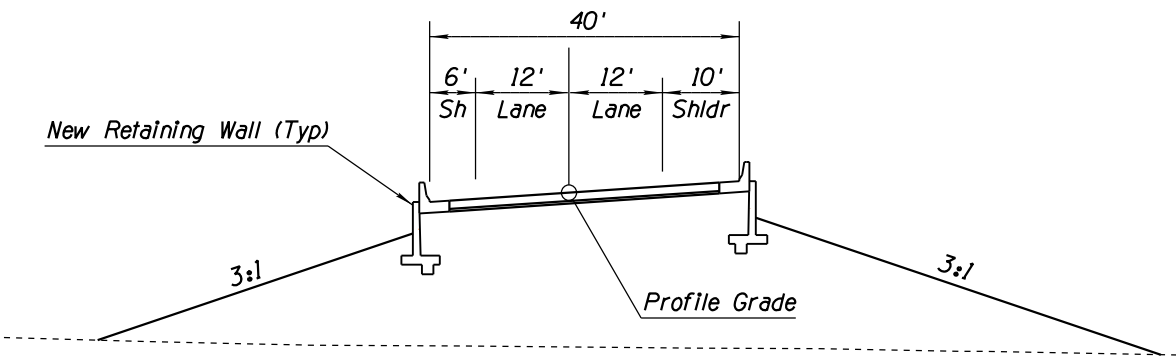
Sta 20+00 to Sta 23+93
Alvernon NOG to Ramp SW NOG



With Curb & Gutters

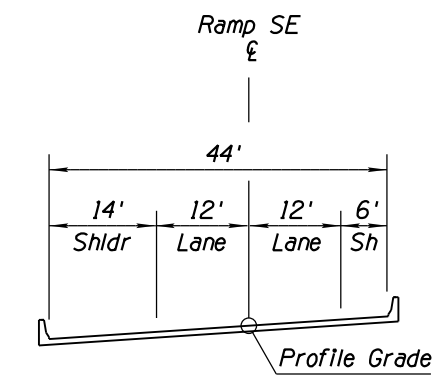


With Barriers

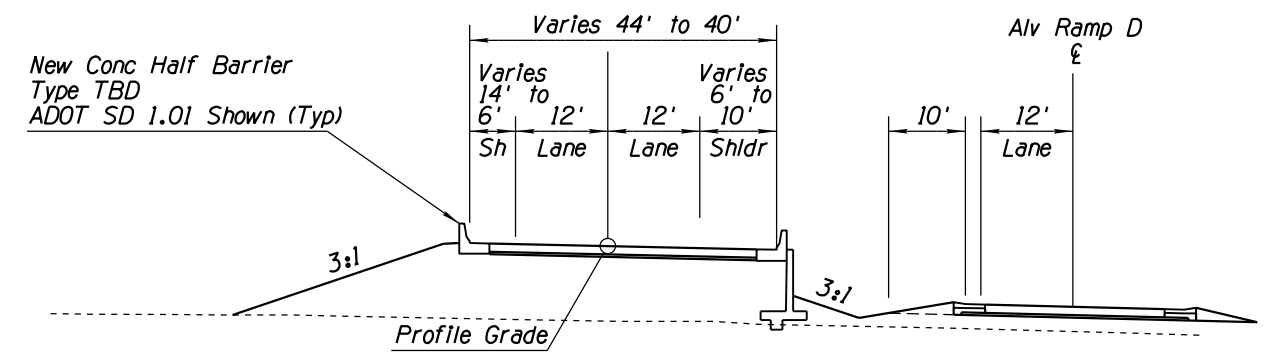


With Retaining Walls at Bridge Abutments

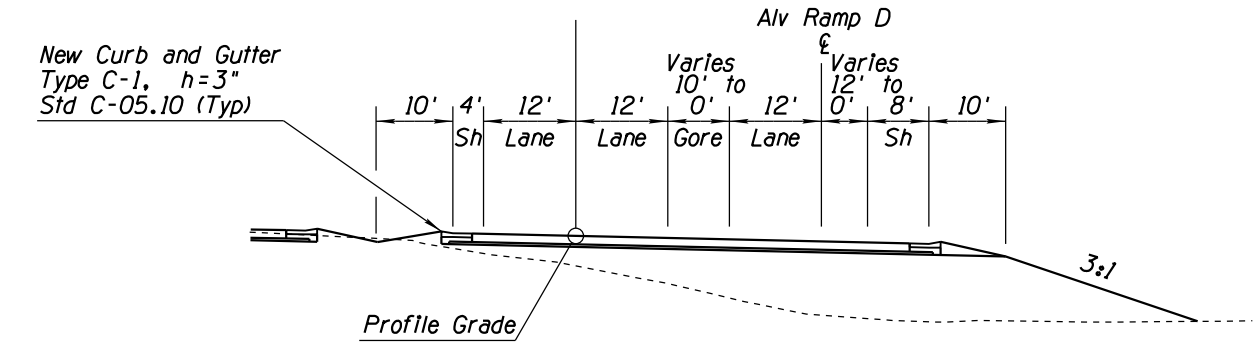
Sta 23+93 to Sta 31+09.40
Ramp SW NOG to North Bridge Abutment



New Structure



Along Alv Ramp D



Along EB I-10

Sta 41+32.14 to PT Sta 57+20.66
East of South Bridge Abutment

SR 210/I-10 SYSTEM RAMP
TYPICAL SECTIONS

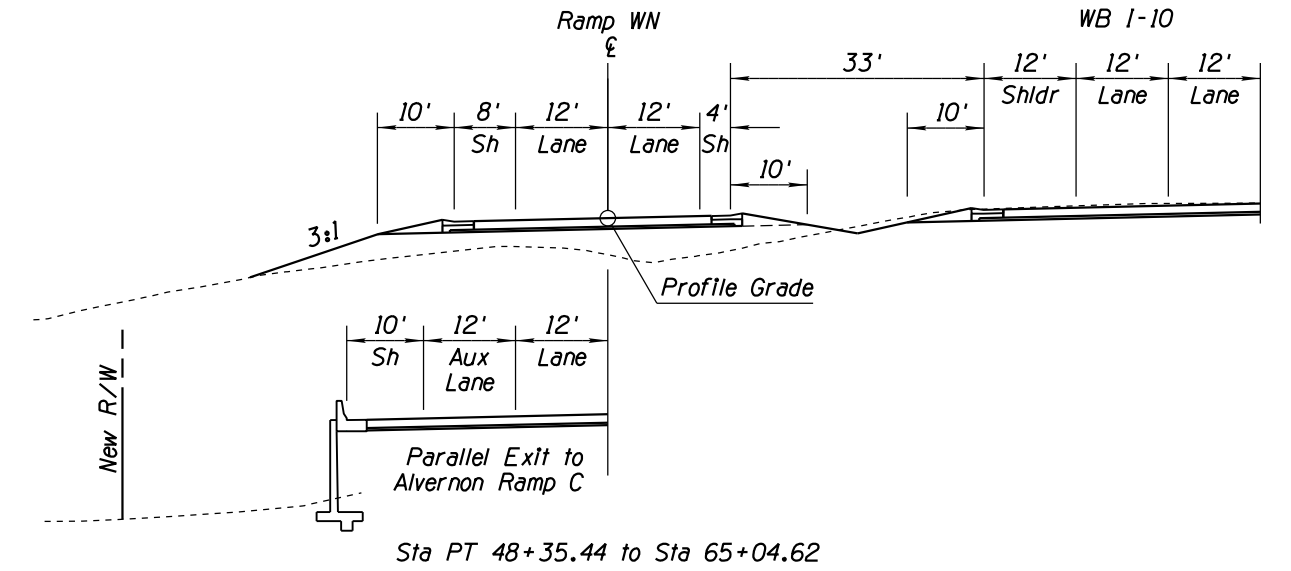
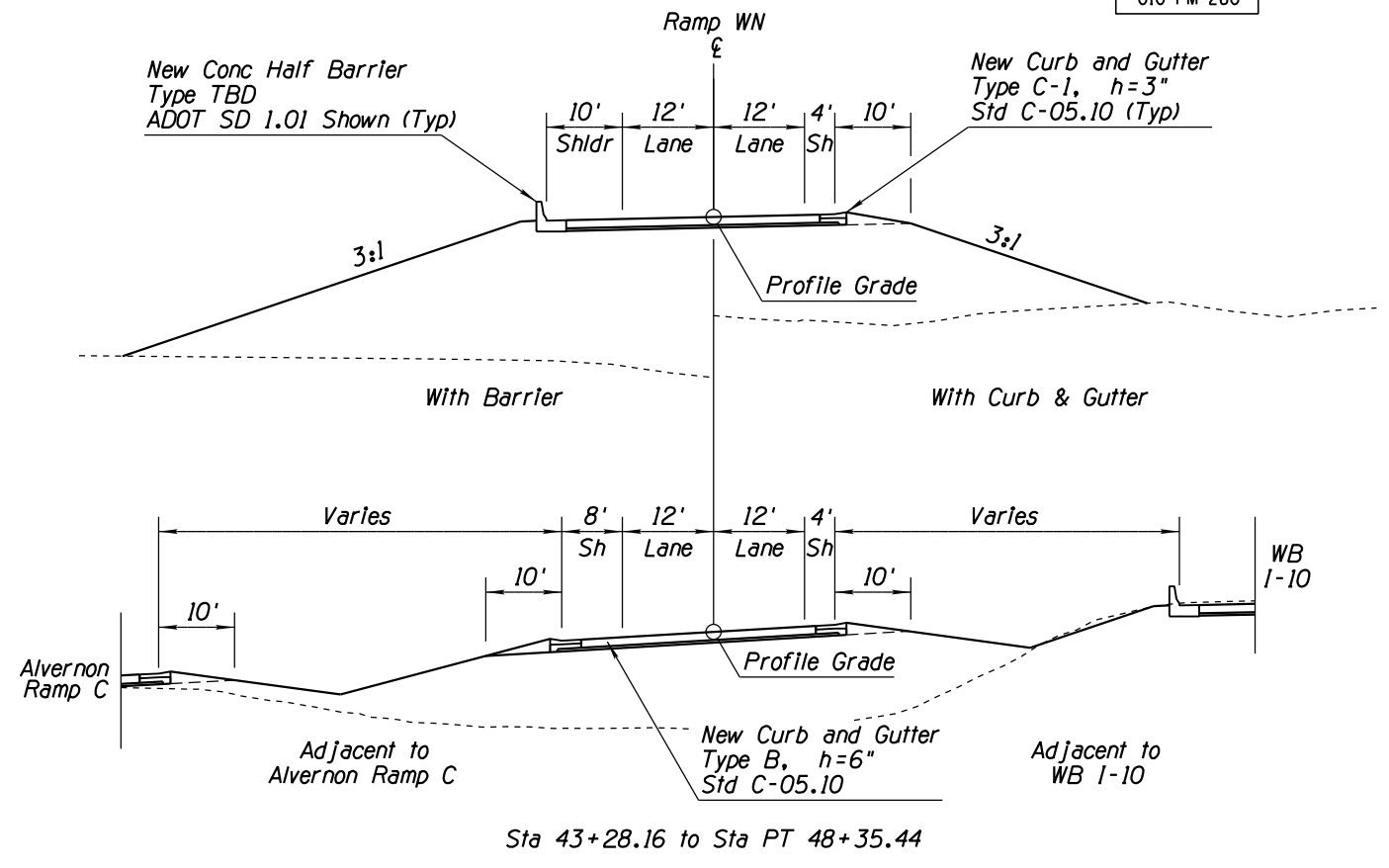
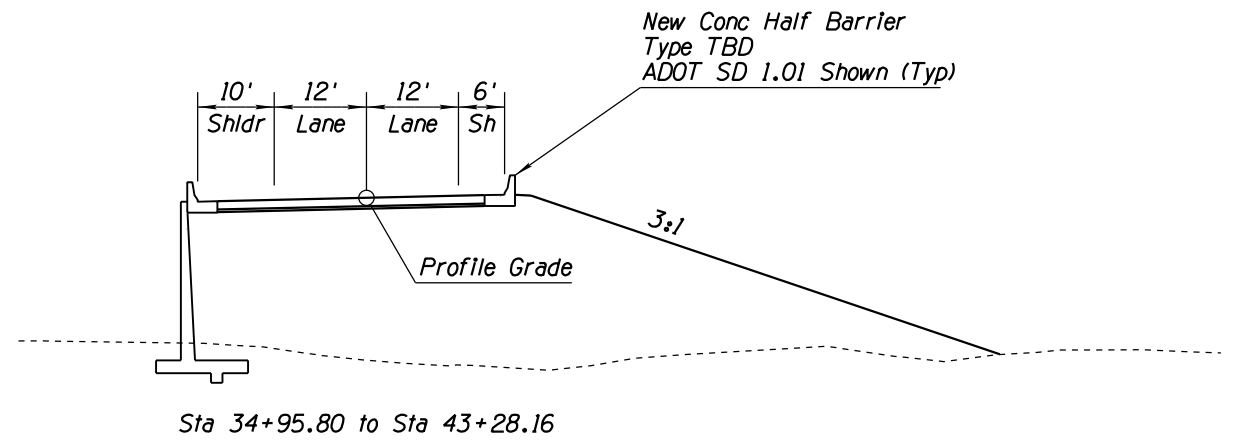
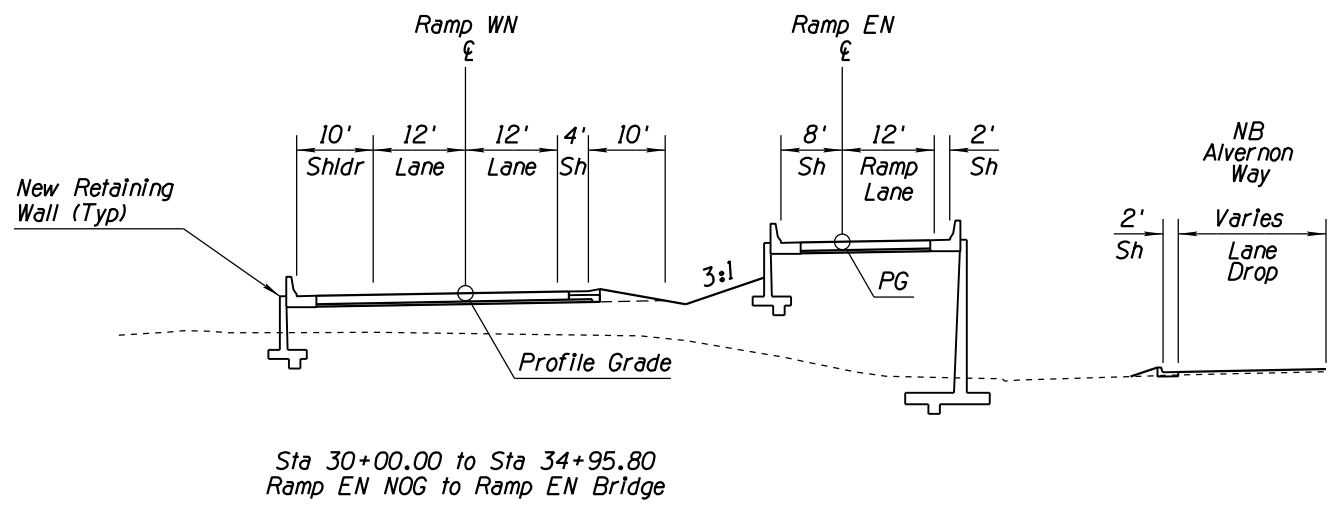
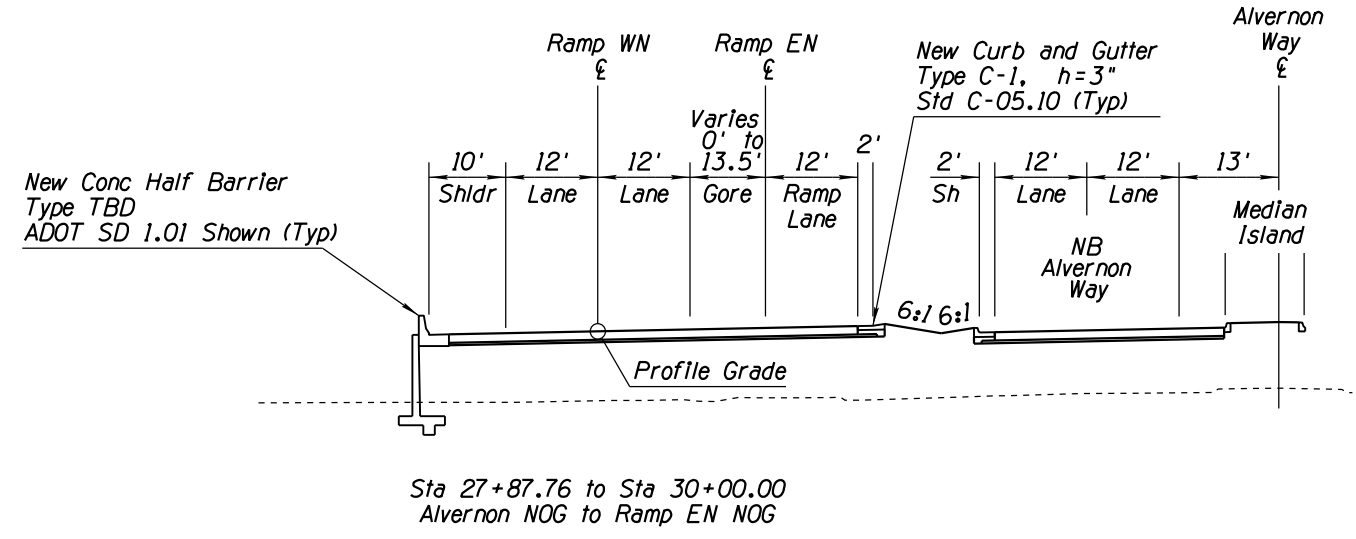
Ramp SE
Sta 20+00 to Sta PT 57+20.66

APPENDIX D

DESIGN	MKO/JBC	DATE	10-17	ARIZONA DEPARTMENT OF TRANSPORTATION INFRASTRUCTURE DELIVERY & OPERATIONS DIVISION ROADWAY DESIGN SERVICES	PRELIMINARY NOT FOR CONSTRUCTION OR RECORDING
DRAWN	SR/JLM	DATE	10-17		
CHECKED	PNB	DATE	12-17		
JACOBS		DESIGN SHEET SR 210 SYSTEM ALT 1 TYPICAL SECTIONS		SHEET TYP-34	
ROUTE	SR 210	LOCATION	I-10 - JCT. I-19 TO KOLB ROAD SR 210 - GOLF LINKS ROAD TO I-10		
TRACS NO.	H7825 OIL		010-E(210)S		OF

F.H.W.A. REGION	STATE	PROJECT NO.	SHEET NO.	TOTAL SHEETS	RECORD DRAWING
9	ARIZ.	010-E(210)S	35	44	

010 PM 260



SR 210/I-10 SYSTEM RAMP
TYPICAL SECTIONS
Ramp WN
Sta 27+87.76 to Sta 65+04.62

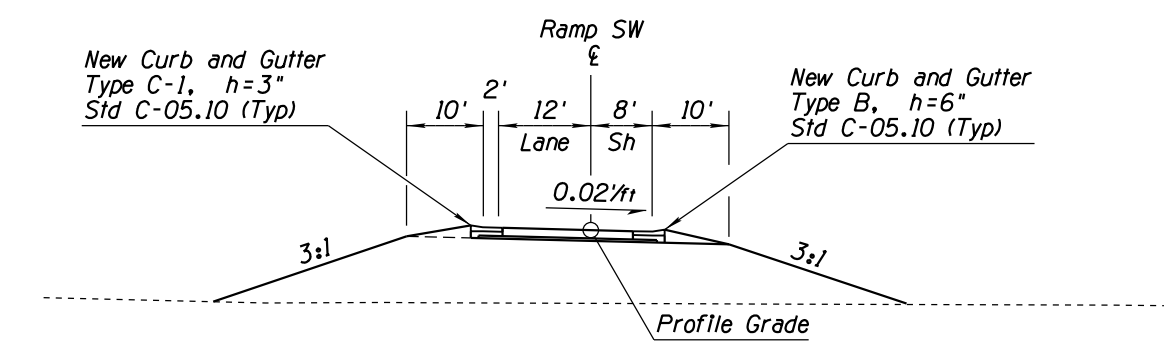
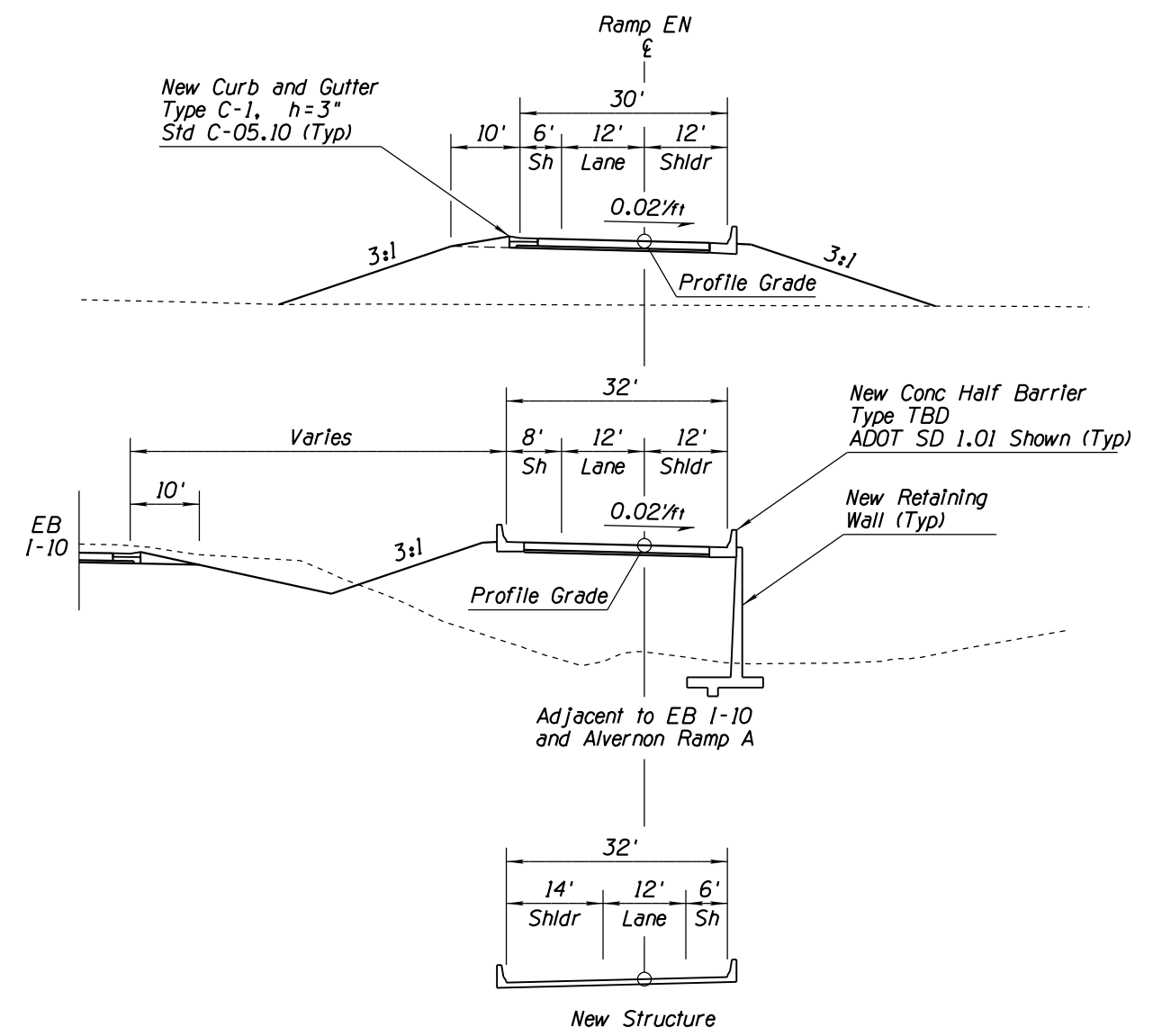
APPENDIX D

DESIGN	MKO/JBC	DATE	10-17	ARIZONA DEPARTMENT OF TRANSPORTATION INFRASTRUCTURE DELIVERY & OPERATIONS DIVISION ROADWAY DESIGN SERVICES	PRELIMINARY NOT FOR CONSTRUCTION OR RECORDING
DRAWN	SR/JLM	DATE	10-17		
CHECKED	PNB	DATE	12-17		
JACOBS		DESIGN SHEET SR 210 SYSTEM ALT 1 TYPICAL SECTIONS			
ROUTE	SR 210	LOCATION	I-10 - JCT. I-19 TO KOLB ROAD SR 210 - GOLF LINKS ROAD TO I-10	SHEET TYP-35	
TRACS NO.	H7825 OIL	010-E(210)S		OF	

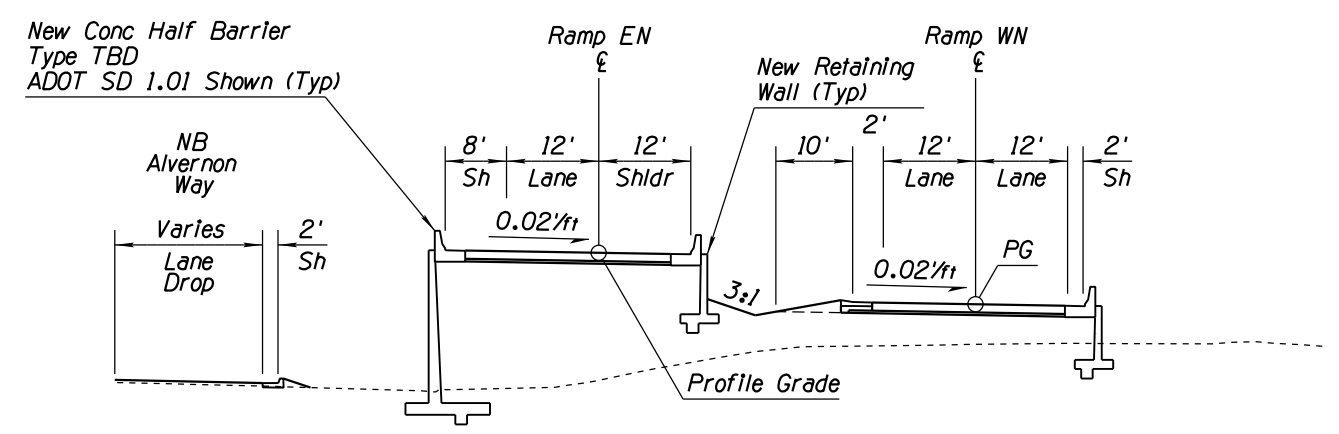
DATE LOCATION REVISIONS FINISHED PLANS SURVEY NO. DATE LOCATION REVISIONS FINISHED PLANS SURVEY NO.

F.H.W.A. REGION	STATE	PROJECT NO.	SHEET NO.	TOTAL SHEETS	RECORD DRAWING
9	ARIZ.	010-E(210)S	36	44	

010 PM 260



SR 210/I-10 SYSTEM RAMP TYPICAL SECTIONS
 Ramp SW
 Sta PCC 10+00.00 to Sta PT 23+72.76



SR 210/I-10 SYSTEM RAMP TYPICAL SECTIONS
 Ramp EN
 Sta PT 47+25.63 to Sta 79+55.02

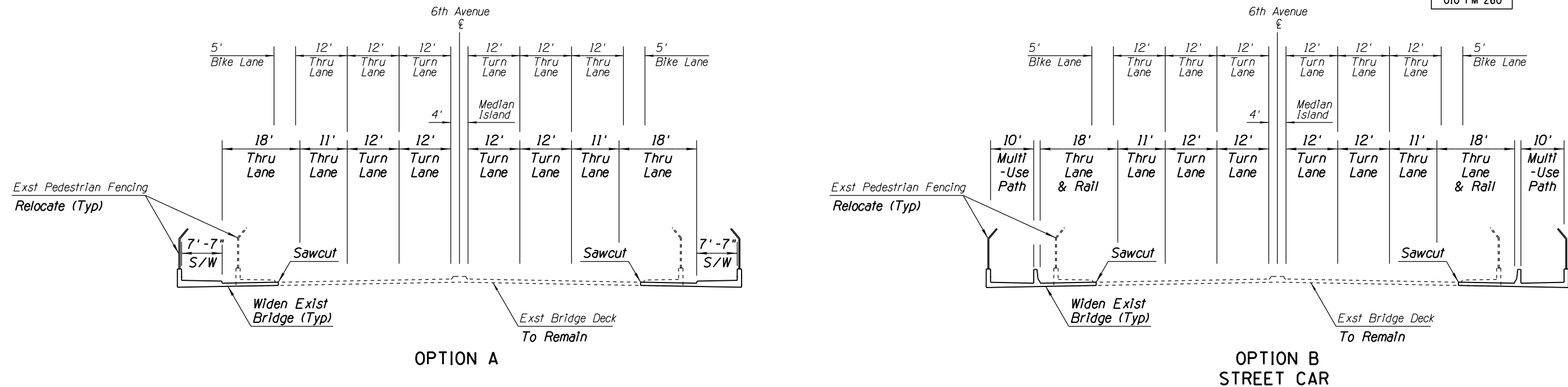
APPENDIX D

DESIGN	MKO/JBC	10-17	ARIZONA DEPARTMENT OF TRANSPORTATION INFRASTRUCTURE DELIVERY & OPERATIONS DIVISION ROADWAY DESIGN SERVICES	PRELIMINARY NOT FOR CONSTRUCTION OR RECORDING
DRAWN	SR/JLM	10-17		
CHECKED	PNB	12-17		
JACOBS			DESIGN SHEET SR 210 SYSTEM ALT 1 TYPICAL SECTIONS	
ROUTE	LOCATION	I-10 - JCT. I-19 TO KOLB ROAD SR 210 - GOLF LINKS ROAD TO I-10		SHEET TYP-36
TRACS NO.	H7825 OIL	010-E(210)S		OF

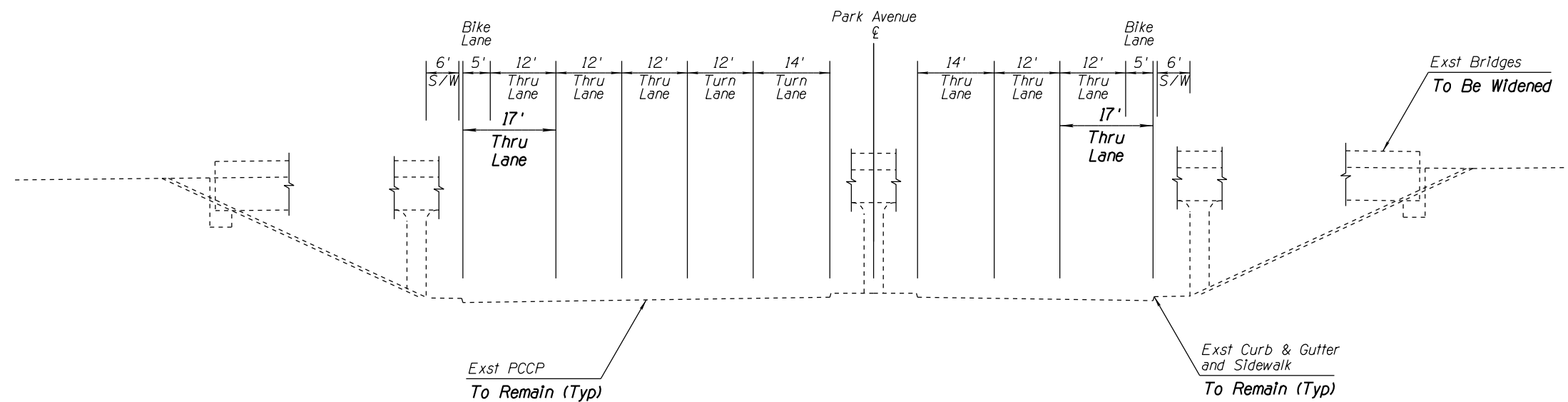
SURVEY NO. FINISHED PLANS REVISIONS LOCATION DATE

F.H.W.A. REGION	STATE	PROJECT NO.	SHEET NO.	TOTAL SHEETS	RECORD DRAWING
9	ARIZ.	010-E(210)S	37	44	

010 PM 260



TYPICAL SECTION
 6th Avenue
 Ground Level Crossroad
 Outside Widening
 Looking North
 Between 6th Ave Ramps - Over I-10



TYPICAL SECTION
 Park Avenue
 Ground Level Crossroad
 Restriping
 Looking North
 Between Park Ave Ramps - Under I-10

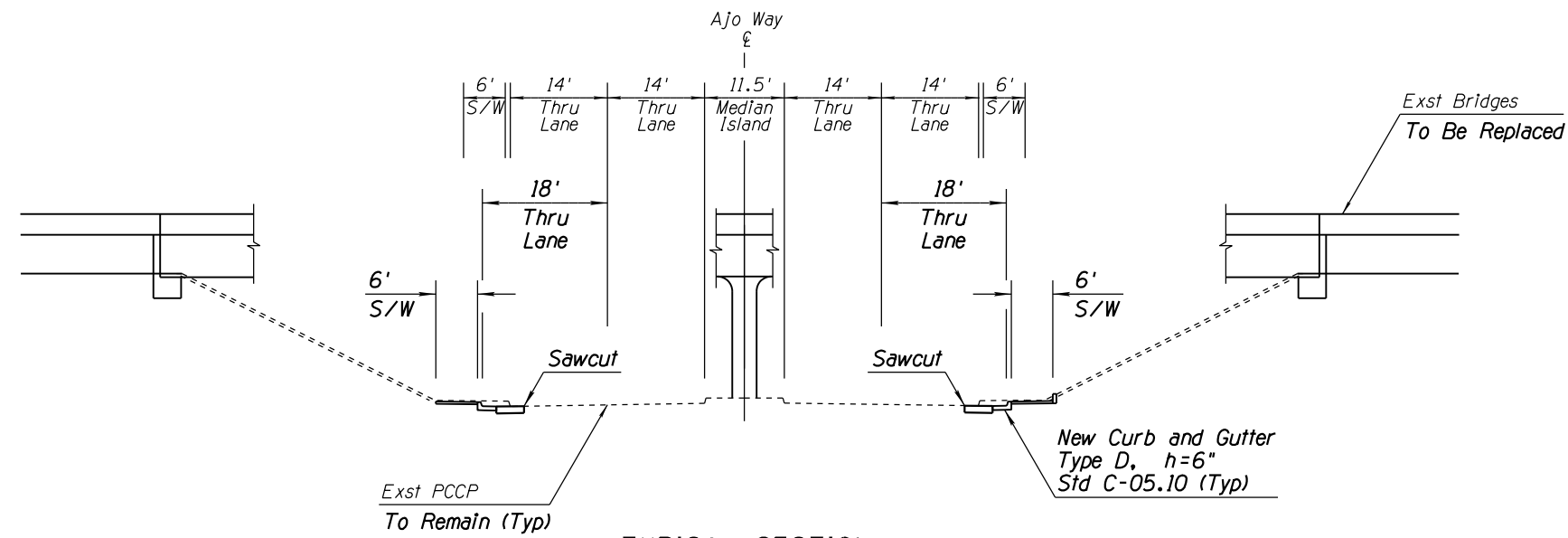
APPENDIX D

DESIGN	NAME	DATE	ARIZONA DEPARTMENT OF TRANSPORTATION INFRASTRUCTURE DELIVERY & OPERATIONS DIVISION		PRELIMINARY NOT FOR CONSTRUCTION OR RECORDING
DRAWN	MKO/JBC	10-17	ROADWAY DESIGN SERVICES		
CHECKED	SR/JLM	10-17			
	PNB	12-17	DESIGN SHEET I-10 SYSTEM ALT 1 TYPICAL SECTIONS		
ROUTE	LOCATION	I-10 - JCT. I-19 TO KOLB ROAD SR 210 - GOLF LINKS ROAD TO I-10			SHEET TYP-37
TRACS NO. H7825 01L			010-E(210)S		OF

DATE LOCATION REVISIONS FINISHED PLANS SURVEY NO. DATE LOCATION REVISIONS FINISHED PLANS SURVEY NO.

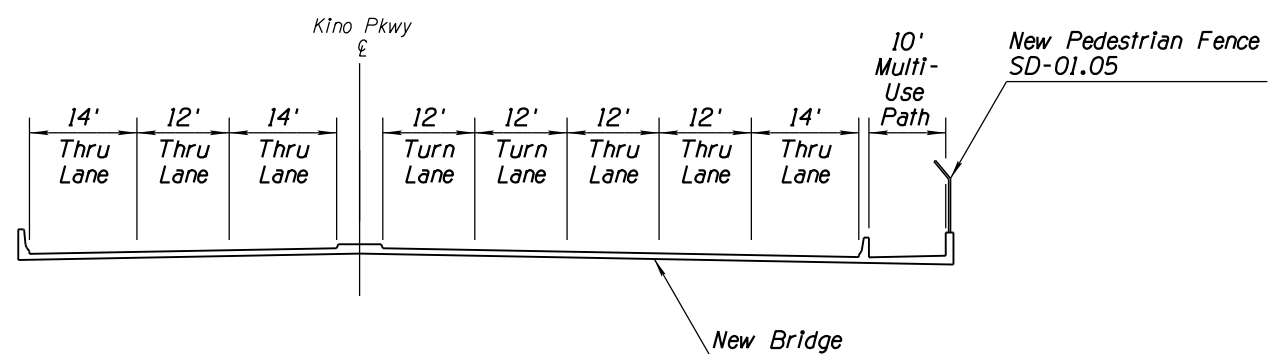
F.H.W.A. REGION	STATE	PROJECT NO.	SHEET NO.	TOTAL SHEETS	RECORD DRAWING
9	ARIZ.	010-E(210)S	38	44	

010 PM 260



TYPICAL SECTION

Ajo Way
Depressed Crossroad
Outside Widening
New I-10 Bridge
Looking East
Under I-10



TYPICAL SECTION

Kino Parkway
Elevated Crossroad
New Bridge Over I-10
Looking North
Between Kino Pkwy Ramps - Over I-10

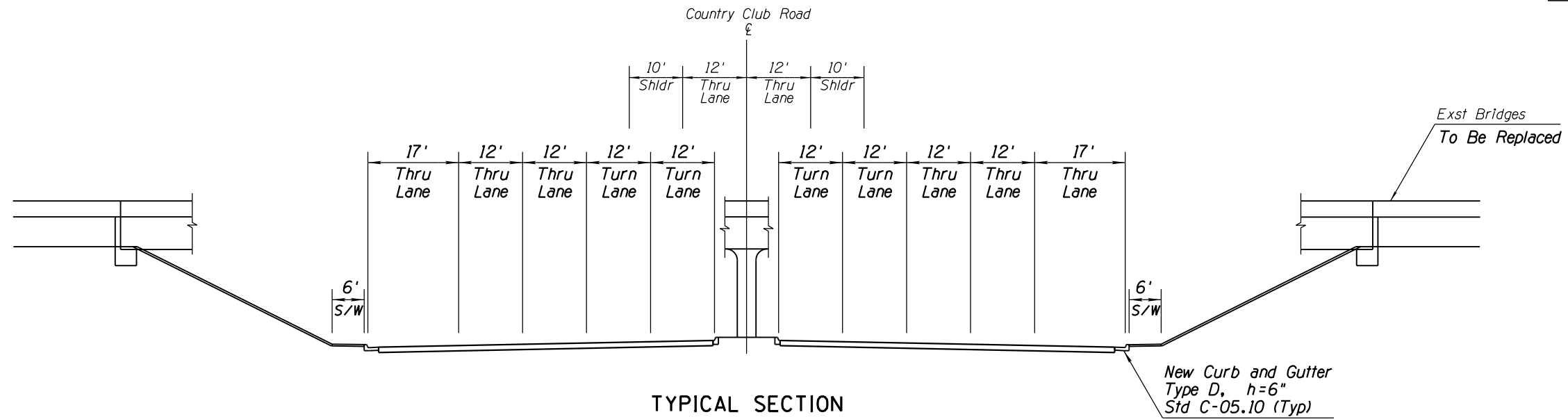
APPENDIX D

DESIGN	MKO/JBC	10-17	ARIZONA DEPARTMENT OF TRANSPORTATION INFRASTRUCTURE DELIVERY & OPERATIONS DIVISION ROADWAY DESIGN SERVICES	PRELIMINARY NOT FOR CONSTRUCTION OR RECORDING
DRAWN	SR/JLM	10-17		
CHECKED	PNB	12-17		
JACOBS			DESIGN SHEET I-10 SYSTEM ALT 1 TYPICAL SECTIONS	
ROUTE	LOCATION	I-10 - JCT. I-19 TO KOLB ROAD SR 210 - GOLF LINKS ROAD TO I-10		SHEET TYP-38
TRACS NO. H7825 01L			010-E(210)S	OF

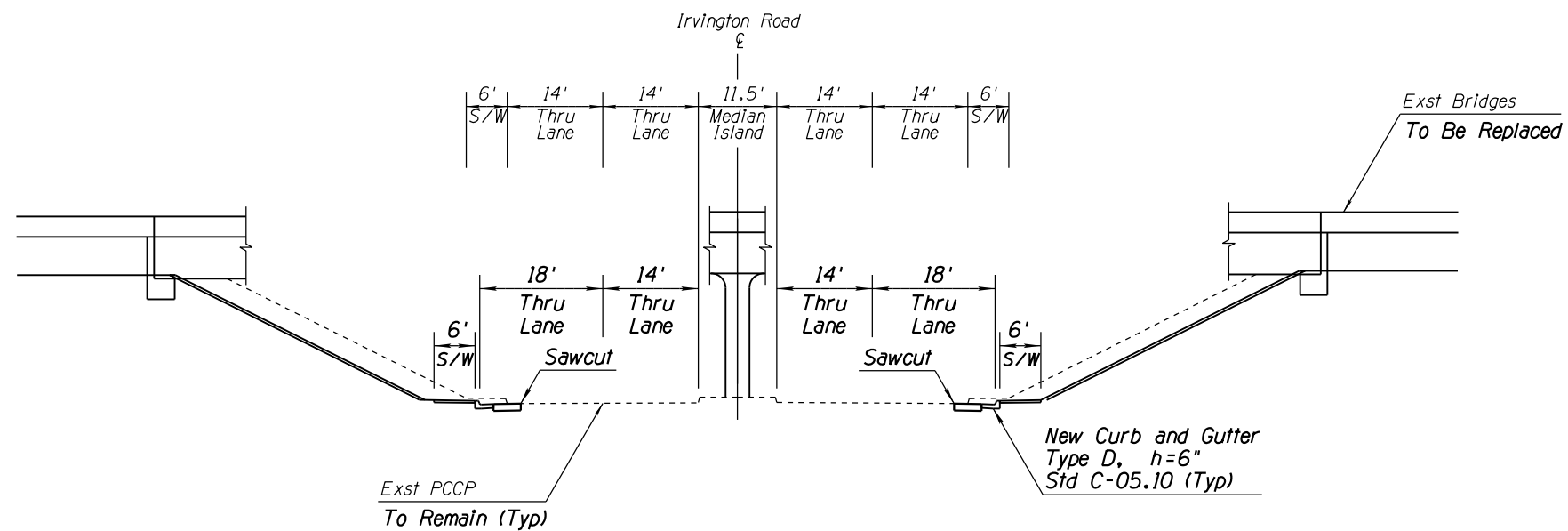
DATE - LOCATION - REVISIONS - FINISHED PLANS - SURVEY NO. DATE - LOCATION - REVISIONS - FINISHED PLANS - SURVEY NO.

F.H.W.A. REGION	STATE	PROJECT NO.	SHEET NO.	TOTAL SHEETS	RECORD DRAWING
9	ARIZ.	010-E(210)S	39	44	

010 PM 260



TYPICAL SECTION
 Country Club Road
 Ground Level Crossroad
 New Crossroad
 New I-10 Bridge
 Looking North
 Between Country Club Ramps - Under I-10



TYPICAL SECTION
 Irvington Road
 Depressed Crossroad
 Outside Widening
 New I-10 Bridge
 Looking East
 Under I-10

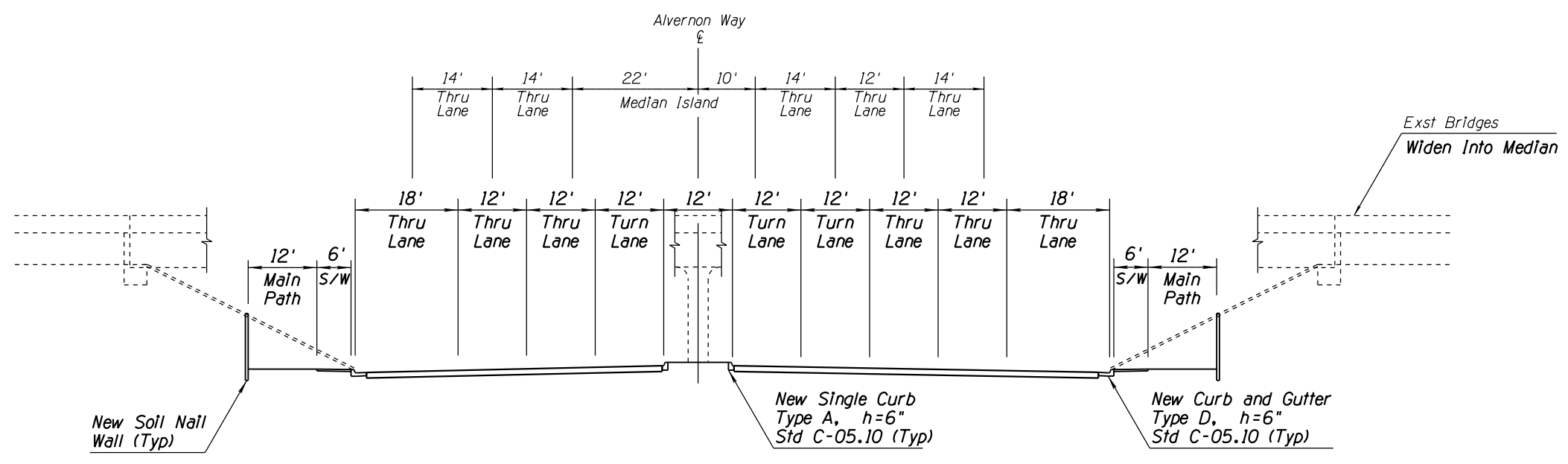
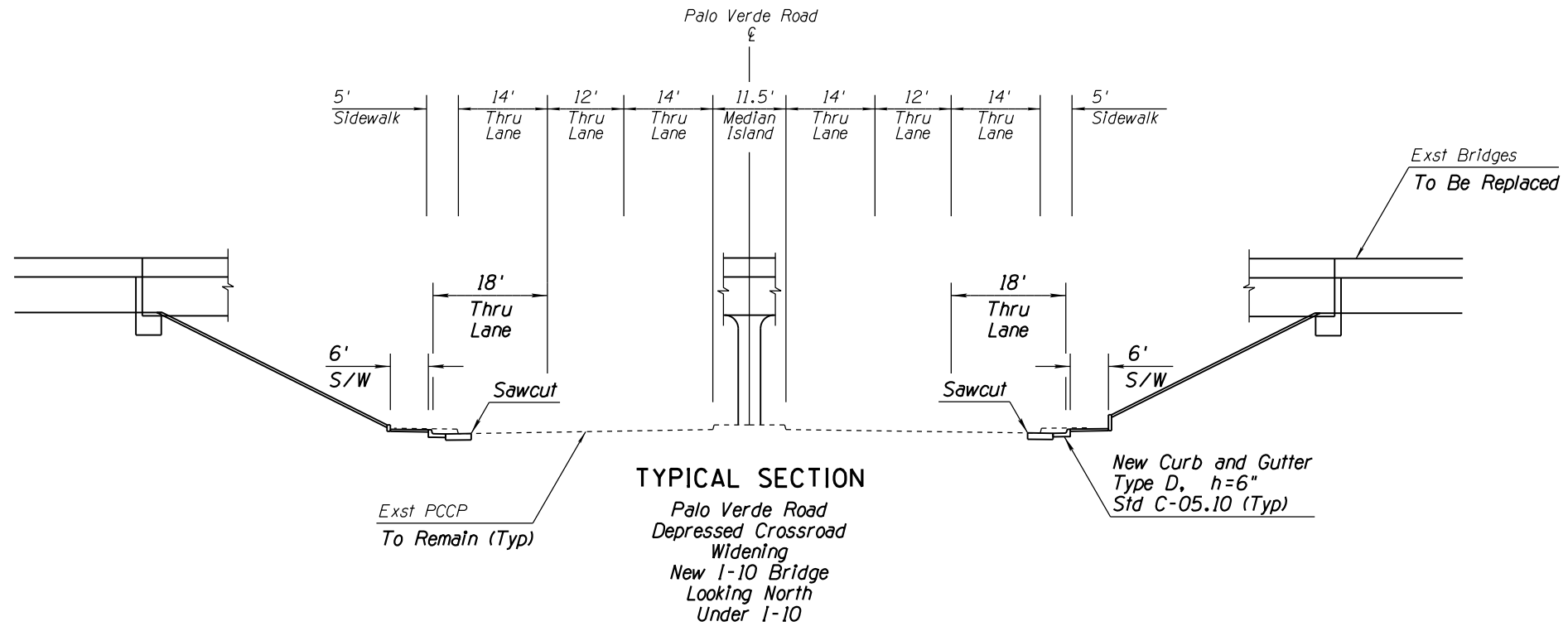
APPENDIX D

DESIGN	MKO/JBC	DATE	10-17	ARIZONA DEPARTMENT OF TRANSPORTATION INFRASTRUCTURE DELIVERY & OPERATIONS DIVISION ROADWAY DESIGN SERVICES	PRELIMINARY NOT FOR CONSTRUCTION OR RECORDING
DRAWN	SR/JLM	DATE	10-17		
CHECKED	PNB	DATE	12-17		
JACOBS		DESIGN SHEET I-10 SYSTEM ALT 1 TYPICAL SECTIONS			
ROUTE	I-10	LOCATION	I-10 - JCT. I-19 TO KOLB ROAD SR 210 - GOLF LINKS ROAD TO I-10		SHEET TYP-39
TRACS NO.	H7825 OIL	010-E(210)S		OF	

DATE - LOCATION - REVISIONS - FINISHED PLANS - SURVEY NO.

F.H.W.A. REGION	STATE	PROJECT NO.	SHEET NO.	TOTAL SHEETS	RECORD DRAWING
9	ARIZ.	010-E(210)S	40	44	

010 PM 260



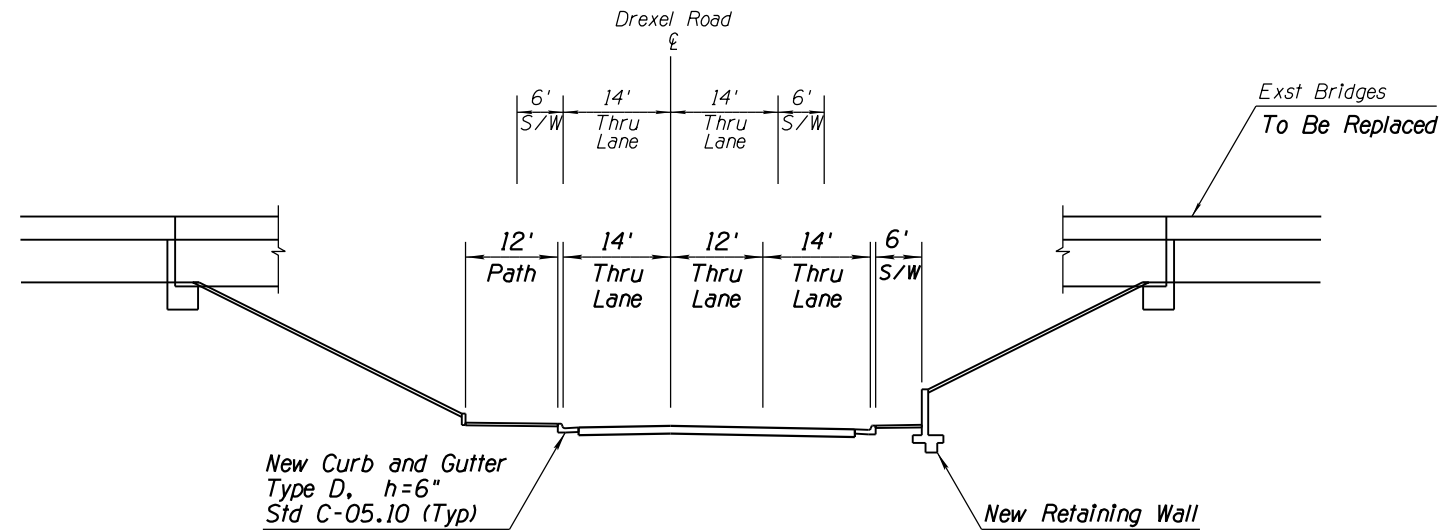
APPENDIX D

DESIGN	MKO/JBC	10-17	ARIZONA DEPARTMENT OF TRANSPORTATION INFRASTRUCTURE DELIVERY & OPERATIONS DIVISION ROADWAY DESIGN SERVICES	PRELIMINARY NOT FOR CONSTRUCTION OR RECORDING
DRAWN	SR/JLM	10-17		
CHECKED	PNB	12-17		
JACOBS			DESIGN SHEET I-10 SYSTEM ALT 1 TYPICAL SECTIONS	
ROUTE	LOCATION	I-10 - JCT. I-19 TO KOLB ROAD SR 210 - GOLF LINKS ROAD TO I-10		SHEET TYP-40
TRACS NO. H7825 01L			010-E(210)S	OF

DATE -
LOCATION -
REVISIONS -
FINISHED PLANS -
SURVEY NO. -
DATE -
LOCATION -
REVISIONS -
FINISHED PLANS -
SURVEY NO. -

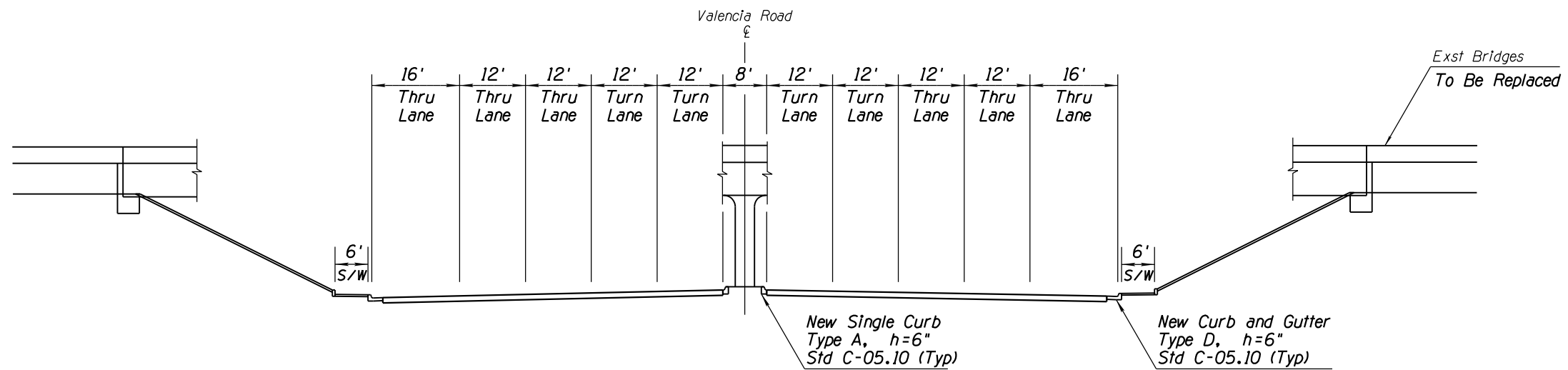
F.H.W.A. REGION	STATE	PROJECT NO.	SHEET NO.	TOTAL SHEETS	RECORD DRAWING
9	ARIZ.	010-E(210)S	41	44	

010 PM 260



TYPICAL SECTION

Drexel Road
 Ground Level Crossroad
 New Crossroad
 New I-10 Bridges
 Looking East
 Under I-10



TYPICAL SECTION

Valencia Road
 Ground Level Crossroad
 New Crossroad
 New I-10 Bridges
 Looking East
 Under I-10

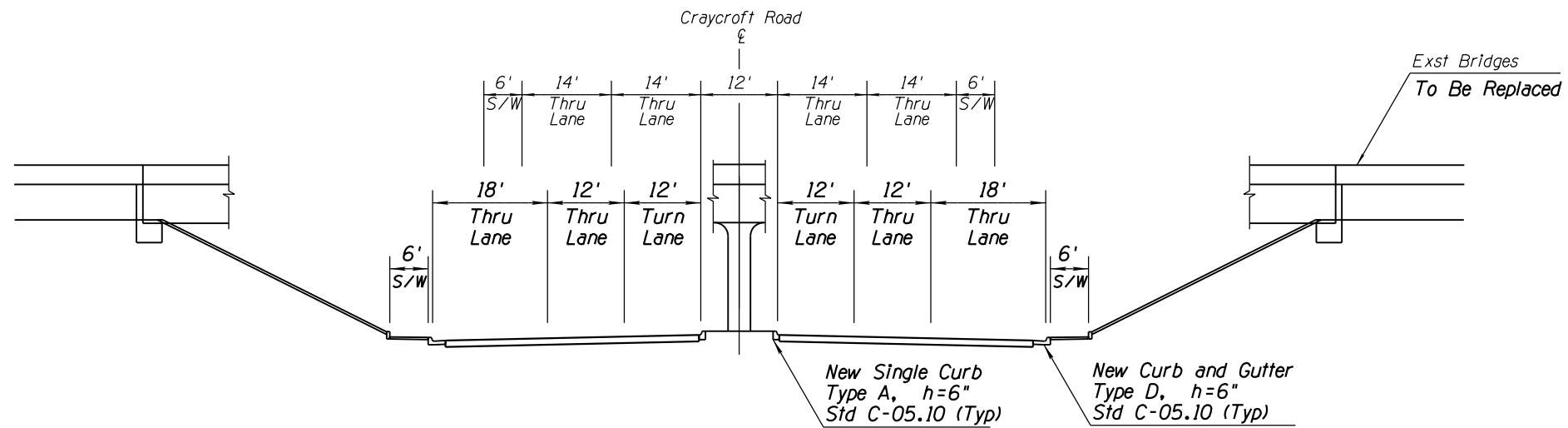
APPENDIX D

DESIGN	MKO/JBC	DATE	10-17	ARIZONA DEPARTMENT OF TRANSPORTATION INFRASTRUCTURE DELIVERY & OPERATIONS DIVISION ROADWAY DESIGN SERVICES	PRELIMINARY NOT FOR CONSTRUCTION OR RECORDING
DRAWN	SR/JLM	DATE	10-17		
CHECKED	PNB	DATE	12-17		
JACOBS		DESIGN SHEET I-10 SYSTEM ALT 1 TYPICAL SECTIONS			
ROUTE	I-10	LOCATION	I-10 - JCT. I-19 TO KOLB ROAD SR 210 - GOLF LINKS ROAD TO I-10		SHEET TYP-41
TRACS NO.	H7825 01L	010-E(210)S		OF	

REVISIONS- FINISHED PLANS- SURVEY NO. DATE- LOCATION- DATE- REVISIONS- FINISHED PLANS- SURVEY NO. DATE-

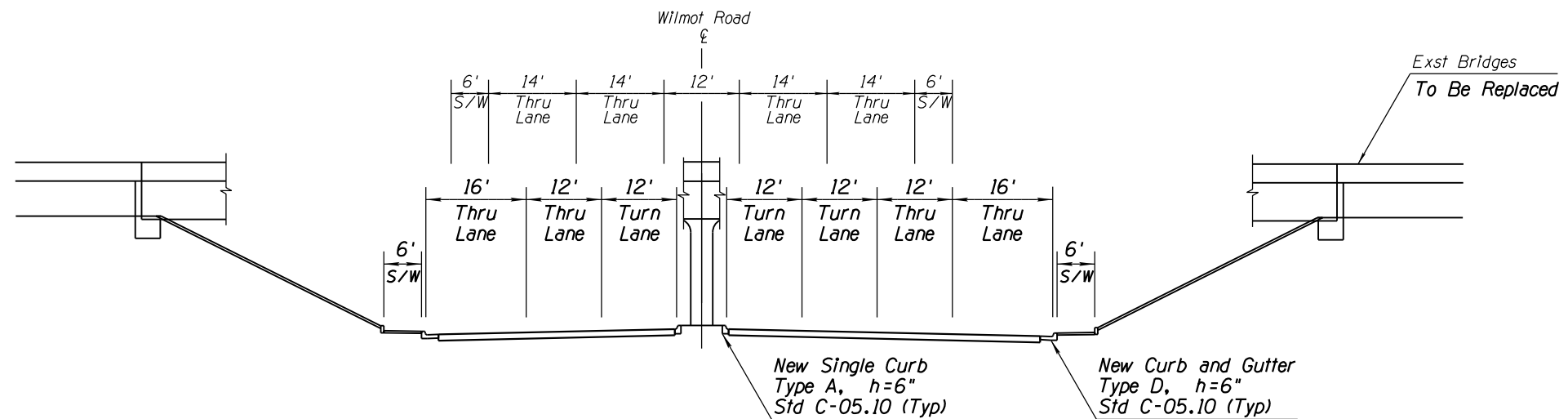
F.H.W.A. REGION	STATE	PROJECT NO.	SHEET NO.	TOTAL SHEETS	RECORD DRAWING
9	ARIZ.	010-E(210)S	42	44	

010 PM 260



TYPICAL SECTION

Craycroft Road
Ground Level Crossroad
New Crossroad
New I-10 Bridges
Looking North
Under I-10



TYPICAL SECTION

Wilmot Road
Ground Level Crossroad
New Crossroad
New I-10 Bridges
Looking North
Under I-10

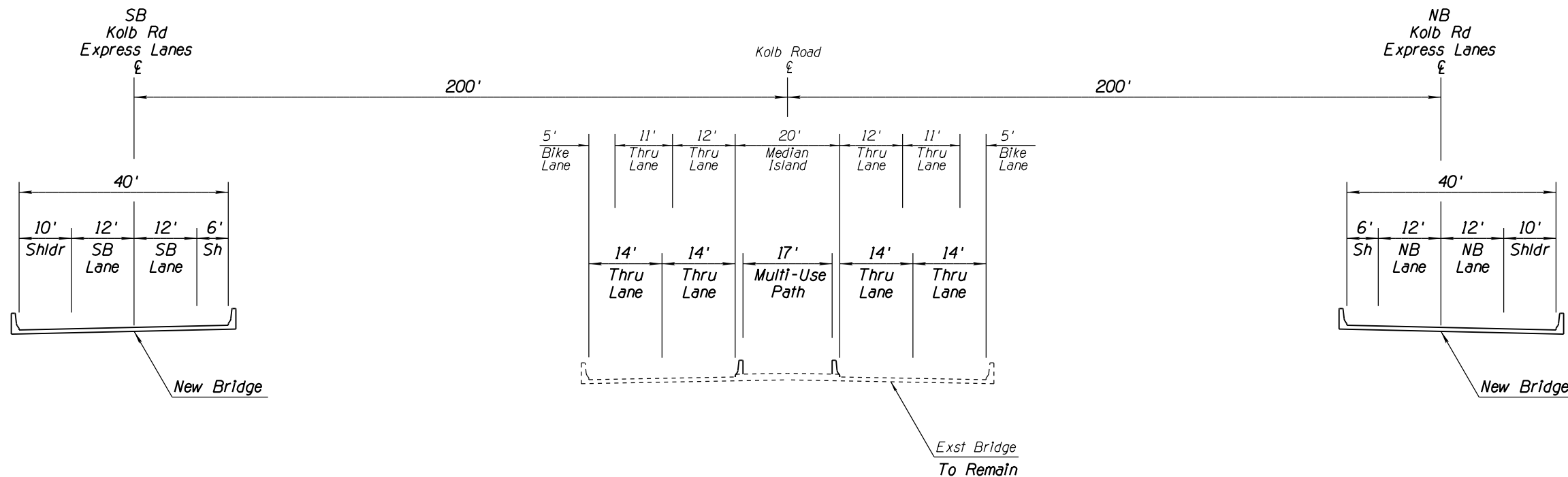
APPENDIX D

DESIGN	MKO/JBC	DATE	10-17	ARIZONA DEPARTMENT OF TRANSPORTATION INFRASTRUCTURE DELIVERY & OPERATIONS DIVISION ROADWAY DESIGN SERVICES	PRELIMINARY NOT FOR CONSTRUCTION OR RECORDING
DRAWN	SR/JLM	DATE	10-17		
CHECKED	PNB	DATE	12-17		
JACOBS		DESIGN SHEET I-10 SYSTEM ALT 1 TYPICAL SECTIONS			
ROUTE	I-10	LOCATION	I-10 - JCT. I-19 TO KOLB ROAD SR 210 - GOLF LINKS ROAD TO I-10		SHEET TYP-42
TRACS NO.	H7825 OIL			010-E(210)S	OF

SURVEY NO. FINISHED PLANS REVISIONS LOCATION DATE

F.H.W.A. REGION	STATE	PROJECT NO.	SHEET NO.	TOTAL SHEETS	RECORD DRAWING
9	ARIZ.	010-E(210)S	43	44	

010 PM 260



TYPICAL SECTION
 Kolb Road
 Elevated Crossroad
 New DDI Interchange
 Existing & New Bridges
 Looking North
 Over I-10

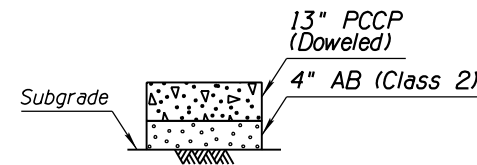
APPENDIX D

DESIGN	MKO/JBC	10-17	ARIZONA DEPARTMENT OF TRANSPORTATION INFRASTRUCTURE DELIVERY & OPERATIONS DIVISION ROADWAY DESIGN SERVICES	PRELIMINARY NOT FOR CONSTRUCTION OR RECORDING
DRAWN	SR/JLM	10-17		
CHECKED	PNB	12-17		
JACOBS			DESIGN SHEET I-10 SYSTEM ALT 1 TYPICAL SECTIONS	
ROUTE	I-10	LOCATION	I-10 - JCT. I-19 TO KOLB ROAD SR 210 - GOLF LINKS ROAD TO I-10	SHEET TYP-43
TRACS NO.	H7825 01L		010-E(210)S	OF

SURVEY NO. DATE FINISHED PLANS REVISIONS LOCATION DATE

F.H.W.A. REGION	STATE	PROJECT NO.	SHEET NO.	TOTAL SHEETS	RECORD DRAWING
9	ARIZ.	010-E(210)S	44	44	

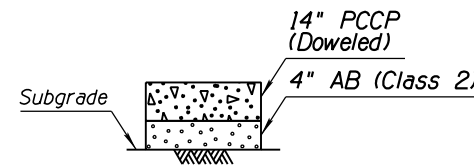
010 PM 260



Total Thickness = 17"

SECTION NO. 1

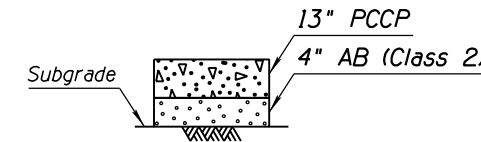
*I-10 Mainline
(I-19 TI to SR 210)*



Total Thickness = 18"

SECTION NO. 2

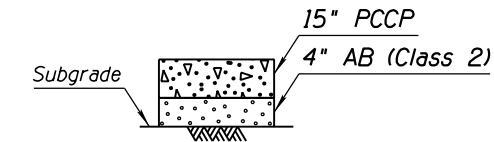
*I-10 Mainline
(SR 210 to Kolb TI)*



Total Thickness = 17"

SECTION NO. 3

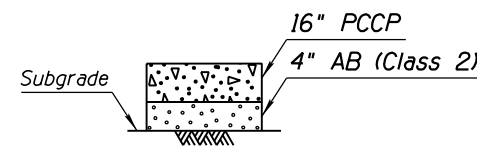
SR 210 Mainline & Ramps



Total Thickness = 19"

SECTION NO. 4

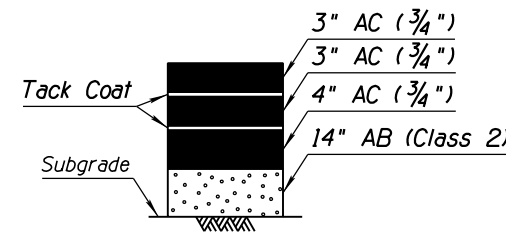
*I-10 Ramps
(I-19 TI to Kino TI)*



Total Thickness = 20"

SECTION NO. 5

*I-10 Ramps
(Kino TI to Kolb TI)*



Total Thickness = 24"

SECTION NO. 6



Total Thickness = 6"

SECTION NO. 7

I-10 Interim AC

ALTERNATIVE I – PAVEMENT STRUCTURAL SECTIONS

APPENDIX D

DESIGN	MKO/JBC	10-17	ARIZONA DEPARTMENT OF TRANSPORTATION INFRASTRUCTURE DELIVERY & OPERATIONS DIVISION ROADWAY DESIGN SERVICES	PRELIMINARY NOT FOR CONSTRUCTION OR RECORDING
DRAWN	SR/JLM	10-17		
CHECKED	PNB	12-17		
JACOBS			DESIGN SHEET I-10 SYSTEM ALT 1 PAVEMENT STRUCTURAL SECTIONS	
ROUTE	I-10 - JCT. I-19 TO KOLB ROAD			
	SR 210 - GOLF LINKS ROAD TO I-10			
TRACS NO.	H7825 01L		010-E(210)S	SHEET TYP-44 OF

REVISIONS- DATE- LOCATION- FINISHED PLANS- SURVEY NO. DATE- LOCATION- REVISIONS- DATE- FINISHED PLANS- SURVEY NO.